

SUZUKI

UN125NE/NEZM2

P74

# SUZUKI

## PARTS CATALOGUE

### UN125M2

UN125NEM2 (MB8EA12AKM)  
UN125NEZM2 (MB8EA12AKM)



# *Avenis*

NOV-2021

**1**ST EDITION

# UN125NE/NEZM2



Color Code	Description	Model
A8D	SUZUKI AVENIS-125 (WHITE, GRAY)	UN125NEM2



Color Code	Description	Model
KGL	SUZUKI AVENIS-125 (BLACK)	UN125NEM2



Color Code	Description	Model
YSF	SUZUKI AVENIS-125 (BLUE)	UN125NEZM2



Color Code	Description	Model
CC7	SUZUKI AVENIS-125 (ORANGE, BLACK)	UN125NEM2



Color Code	Description	Model
CC8	SUZUKI AVENIS-125 (GREEN, GRAY)	UN125NEM2

INFORMATION  
ILLUSTRATION INDEX

**1**

ENGINE  
TRANSMISSION

**2**

ELECTRICAL

**3**

BODY

**4**

PARTS NUMBER INDEX

**5**

ACCESSORIES

**6**

FIG. NO.	TITLE	ADDRESS NO.
102A	CYLINDER HEAD COVER	1-B-2
103A	CYLINDER HEAD	1-B-3
107A	CYLINDER	1-B-4
108A	CRANKCASE	1-B-5
112A	CRANKCASE COVER	1-B-6
120A	CRANKSHAFT	1-B-7
126A	CAMSHAFT/VALVE	1-B-8
127A	CAM CHAIN	1-B-9
140A	THROTTLE BODY	1-B-10
155A	AIR CLEANER	1-B-11
163A	MUFFLER	1-B-12
170A	OIL PUMP	1-B-13
172A	FUEL PUMP	1-B-14
181A	COOLING FAN	1-B-15
210A	TRANSMISSION (1)	1-B-16
211A	TRANSMISSION (2)	1-C-2
240A	KICK STARTER	1-C-3
301A	STARTING MOTOR	1-C-4
303A	MAGNETO	1-C-5
310A	BATTERY	1-C-6
312A	ELECTRICAL	1-C-7
330A	SPEEDOMETER	1-C-8
333A	HEADLAMP	1-C-9
334A	TURNSIGNAL LAMP	1-C-10
339A	REAR COMBINATION LAMP	1-C-11
350A	WIRING HARNESS	1-C-12
352A	LOCK SET	1-C-13
401A	FRAME	1-C-14
405A	BATTERY HOLDER	1-C-15
407A	STAND	1-C-16
415A	FOOTREST	1-D-2
420A	FUEL TANK	1-D-3
427A	EVAP SYSTEM	1-D-4
429A	FUEL INLET	1-D-5
435A	FRONT LEG SHIELD (UN125NE)	1-D-6
435A	FRONT LEG SHIELD (UN125NE)	1-D-7
435B	FRONT LEG SHIELD (UN125NEZ)	1-D-8

FIG. NO.	TITLE	ADDRESS NO.
438A	SIDE LEG SHIELD (UN125NE)	1-D-9
438B	SIDE LEG SHIELD (UN125NEZ)	1-D-10
440A	REAR LEG SHIELD	1-D-11
445A	FRAME COVER (UN125NE)	1-D-12
445B	FRAME COVER (UN125NEZ)	1-D-13
456A	HELMET BOX	1-D-14
460A	FRONT FENDER (UN125NE)	1-D-15
460B	FRONT FENDER (UN125NEZ)	1-D-16
462A	HANDLEBAR	1-E-2
463A	HANDLE COVER (UN125NE)	1-E-3
463B	HANDLE COVER (UN125NEZ)	1-E-4
467A	HANDLE LEVER	1-E-5
474A	REAR FENDER	1-E-6
496A	LABEL	1-E-7
505A	SEAT	1-E-8
521A	FRONT FORK DAMPER	1-E-9
524A	STEERING STEM	1-E-10
530A	FRONT WHEEL	1-E-11
535A	FRONT CALIPER	1-E-12
537A	FRONT MASTER CYLINDER	1-E-13
545A	REAR SHOCK ABSORBER	1-E-14
550A	REAR WHEEL	1-E-15
970A	OPTIONAL (KNUCKLE COVER SET)	1-E-16
970B	OPTIONAL (ACCESSORY BAR SET)	1-F-2
970C	OPTIONAL(TAPE SET)(UN125NE)	1-F-3
970D	OPTIONAL(TUBE SET, RR FOOTREST SIDE)	1-F-4





**COLOUR CHART  
TABLEAU COULEURS**

COLOR NO. NO DE COULEUR	COLOUR DESCRIPTION DESCRIPTION DE COULEUR	COLOR NO. NO DE COULEUR	COLOR DESCRIPTION DESCRIPTION DE COULEUR
019	SLD.BLACK	QVZ	LTHR.GRAY
1NJ	T.LUMINOUS YELLOW	YD8	MET.SONIC SILVER
291	SLD.BLACK 50% GLOSS	YKV	MET.MAT BLACK NO.2
30H	SLD.SPECIAL WHITE NO.2	YLF	MET.THUNDER GRAY
6UX	GL.SPARKLE BLACK	YPA	PRL.MIRAGE WHITE
A3F	YWW,YSF,1NJ	YRD	MET.LUSH GREEN
A8D	YPA,PGZ	YSF	MET.TRITON BLUE
AHW	PGZ,YKV	YVB	GL.SPARKLE BLACK
BR9	YWW,1NJ,QPN,30H,YSF	YVZ	PRL.MIRARED
CC7	QVN,YVB	YWW	PRL.GLACIER WHITE
CC8	PGZ,YRD		
CC9	QVY,QVZ,PVG		
CDG	YKV,QVN		
CDH	YVB,YLF,YPA		
CDJ	YVB,YD8,QVN		
CDK	YRD,YVB,PGZ		
CDM	YVZ,YWW,1NJ,YSF		
FNF	YSF,YKV		
JDT	YKV,YPA		
KGL	YKV,YVB		
PGZ	MET.MAT FIBROIN GRAY		
PVG	STITCH RED		
QPN	ECSTAR BLUE		
QVN	PRL.BLAZE ORANGE		
QVY	LTHR.BLACK		

**MILLIMETER → INCH CONVERSION CHART**

	0	1	2	3	4	5	6	7	8	9
00	.000	.039	.079	.118	.157	.197	.236	.276	.315	.354
10	.394	.433	.472	.512	.551	.591	.630	.669	.709	.748
20	.787	.827	.866	.906	.945	.984	1.024	1.063	1.102	1.142
30	1.181	1.220	1.260	1.299	1.339	1.378	1.417	1.457	1.496	1.535
40	1.575	1.614	1.654	1.693	1.732	1.772	1.811	1.850	1.890	1.929
50	1.969	2.008	2.047	2.087	2.126	2.165	2.205	2.214	2.283	2.323
60	2.362	2.402	2.441	2.480	2.520	2.559	2.598	2.638	2.677	2.717
70	2.756	2.795	2.835	2.874	2.913	2.953	2.992	3.031	3.071	3.110
80	3.150	3.189	3.228	3.268	3.307	3.346	3.386	3.426	3.465	3.504
90	3.543	3.583	3.622	3.662	3.701	3.740	3.780	3.819	3.858	3.896

**How to read**

	0	1	2	3	4
00	---	---	---	---	---
10	---	---	---	---	---
20	---	---	---	0.906	---
30	---	---	---	---	---

23 millimeters equal 0.906 inch

Contents are subject to change without notice or obligation.

**FIG. 102A CYLINDER HEAD COVER (B-2)**

UB125NMM3\_P74\_102A  
CYLINDER HEAD COVER

**FIG. 103A CYLINDER HEAD (B-3)**

UB125NMM3\_P74\_103A  
CYLINDER HEAD

**FIG. 107A CYLINDER (B-4)**

UB125NMM3\_P74\_107A  
CYLINDER

**FIG. 108A CRANKCASE (B-5)**

UB125NMM3\_P74\_108A  
CRANKCASE

**FIG. 112A CRANKCASE COVER (B-6)**

UB125NMM3\_P74\_112A  
CRANKCASE COVER

**FIG. 120A CRANKSHAFT (B-7)**

UB125NMM3\_P74\_120A  
CRANKSHAFT

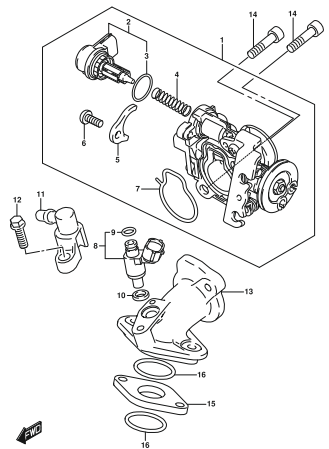
**FIG. 126A CAMSHAFT/VALVE (B-8)**

UB125NMM3\_P74\_126A  
CAMSHAFT/VALVE

**FIG. 127A CAM CHAIN (B-9)**

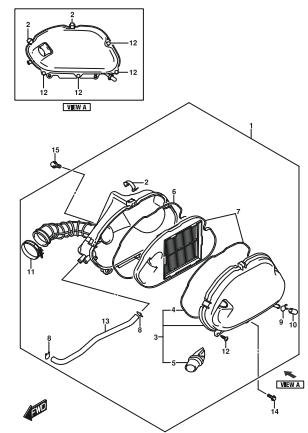
UB125NMM3\_P74\_127A  
CAM CHAIN

FIG. 140A THROTTLE BODY (B-10)



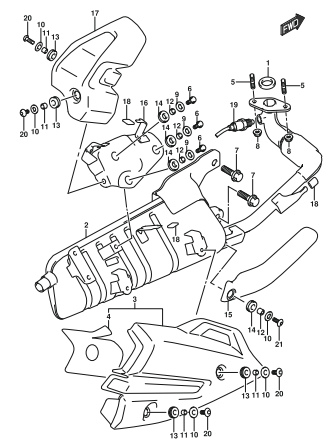
UN125NEM2\_P74\_140A  
THROTTLE BODY

FIG. 155A AIR CLEANER (B-11)



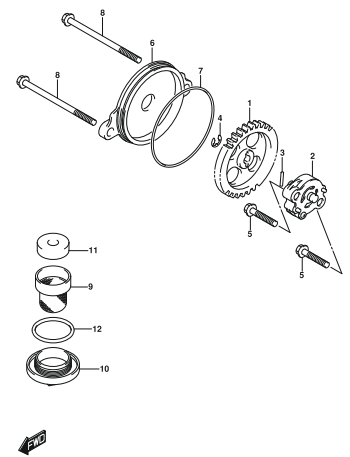
UN125NEM2\_P74\_155A  
AIR CLEANER

FIG. 163A MUFFLER (B-12)



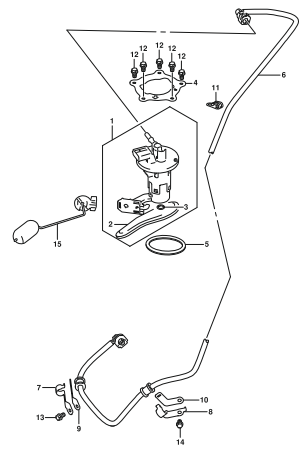
UN125NEM2\_P74\_163A  
MUFFLER

FIG. 170A OIL PUMP (B-13)



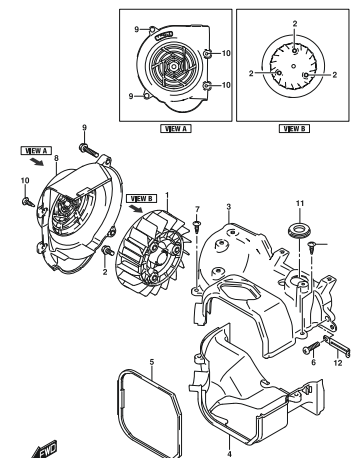
UN125NEM2\_P74\_170A  
OIL PUMP

FIG. 172A FUEL PUMP (B-14)



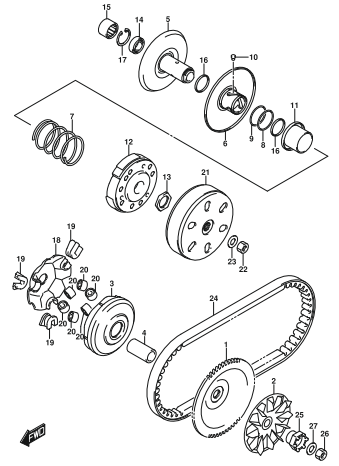
UN125NEM2\_P74\_172A  
FUEL PUMP

FIG. 181A COOLING FAN (B-15)



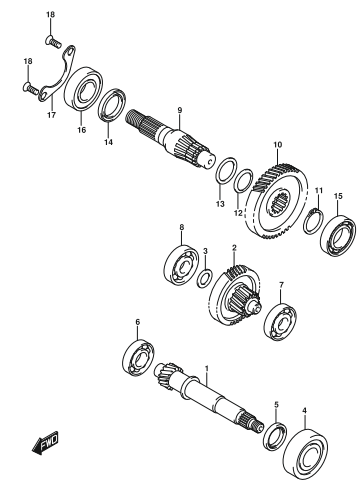
UN125NEM2\_P74\_181A  
COOLING FAN

FIG. 210A TRANSMISSION (1) (B-16)



UN125NEM2\_P74\_210A  
TRANSMISSION (1)

FIG. 211A TRANSMISSION (2) (C-2)



UN125NEM2\_P74\_211A  
TRANSMISSION (2)

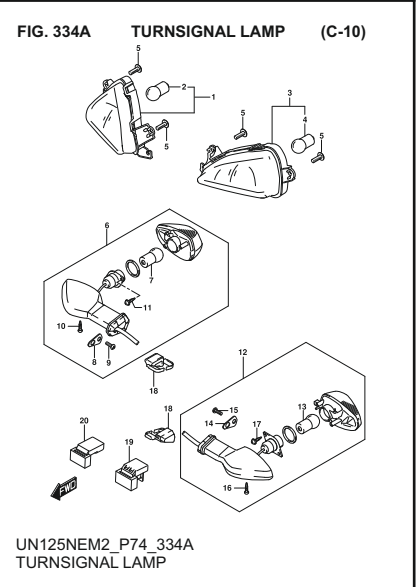
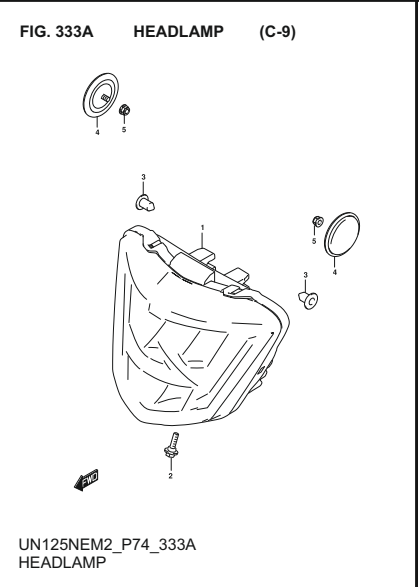
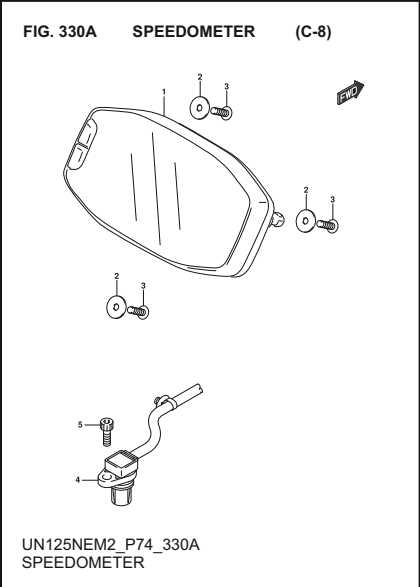
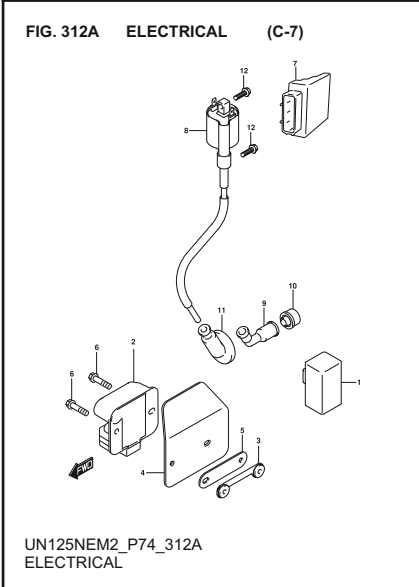
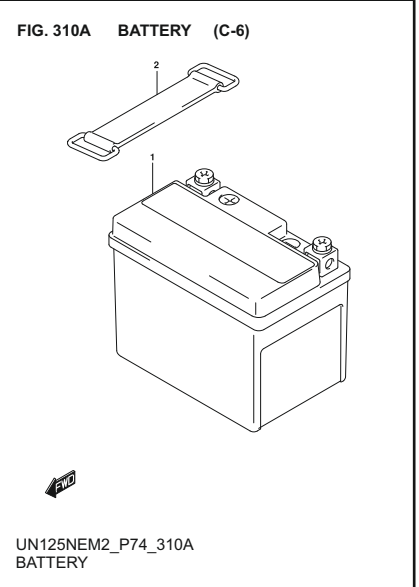
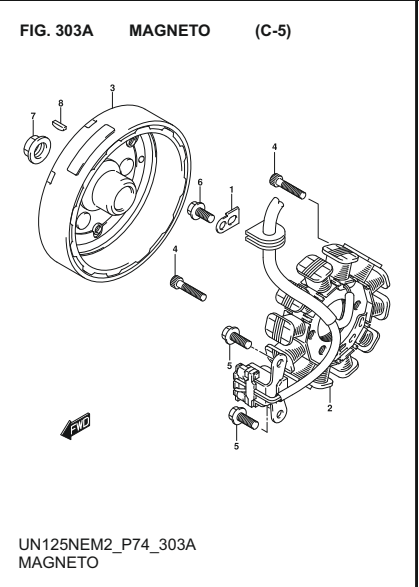
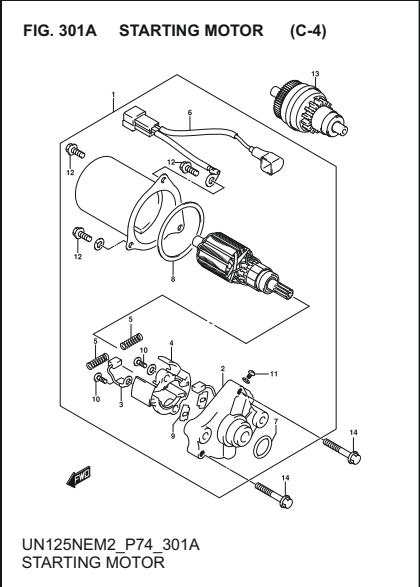
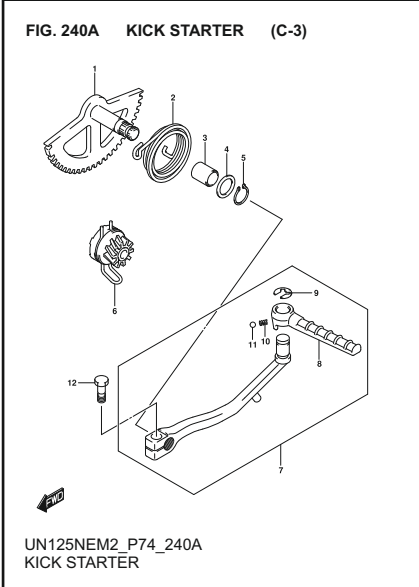
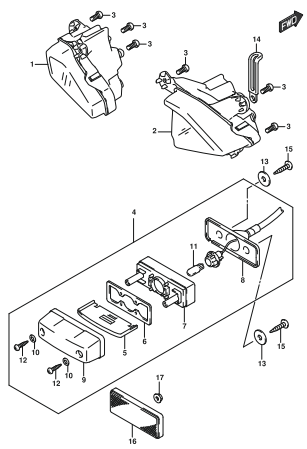
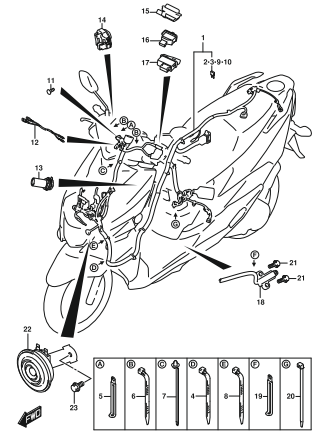


FIG. 339A REAR COMBINATION LAMP (C-11)



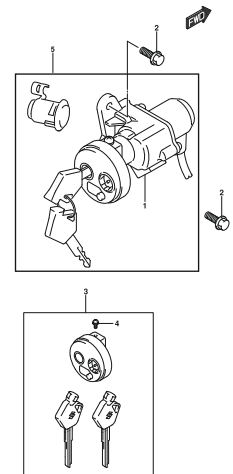
UN125NEM2\_P74\_339A  
REAR COMBINATION LAMP

FIG. 350A WIRING HARNESS (C-12)



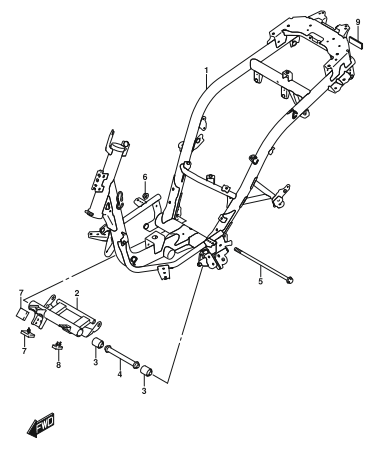
UN125NEM2\_P74\_350A  
WIRING HARNESS

FIG. 352A LOCK SET (C-13)



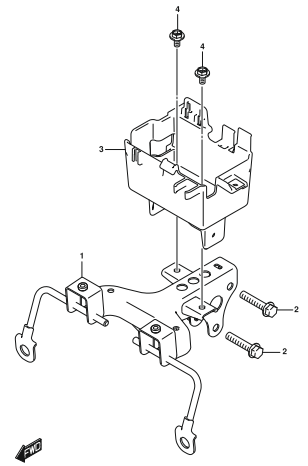
UN125NEM2\_P74\_352A  
LOCK SET

FIG. 401A FRAME (C-14)



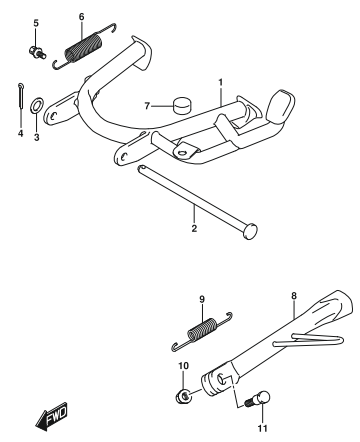
UN125NEM2\_P74\_401A  
FRAME

FIG. 405A BATTERY HOLDER (C-15)



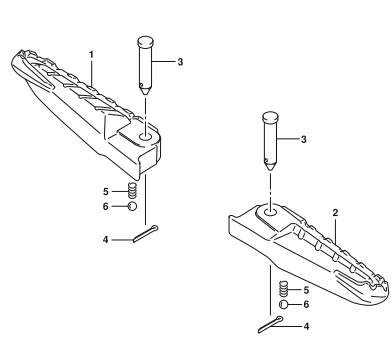
UN125NEM2\_P74\_405A  
BATTERY HOLDER

FIG. 407A STAND (C-16)



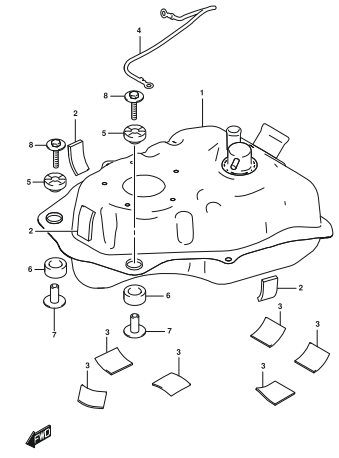
UN125NEM2\_P74\_407A  
STAND

FIG. 415A FOOTREST (D-2)

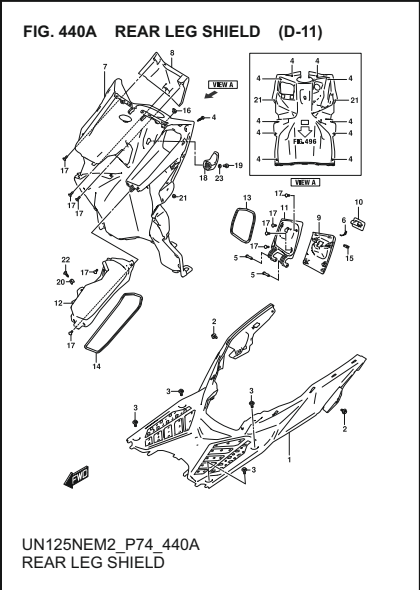
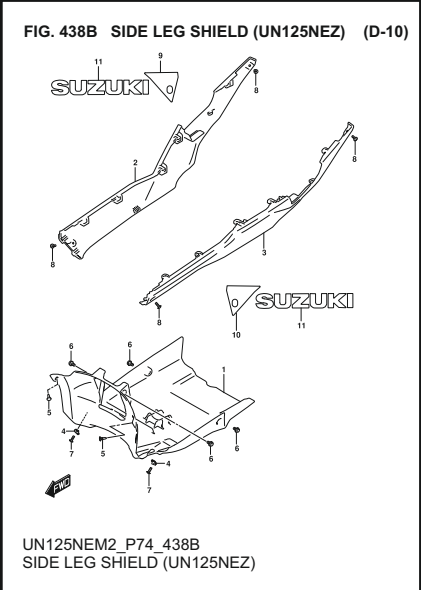
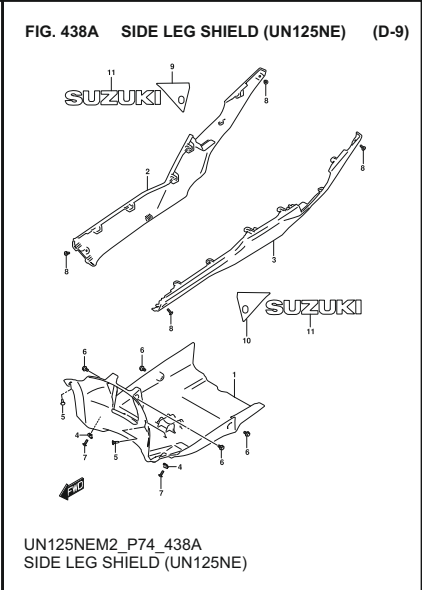
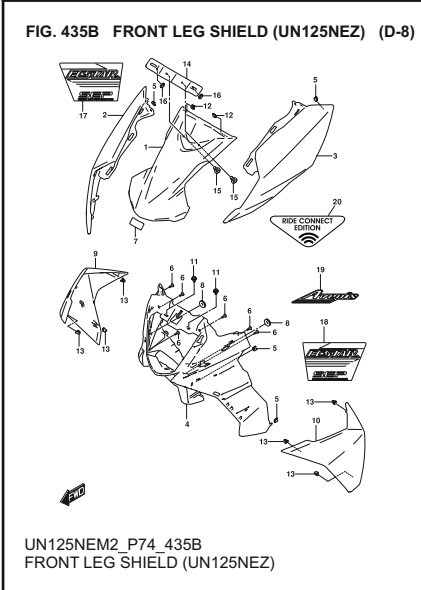
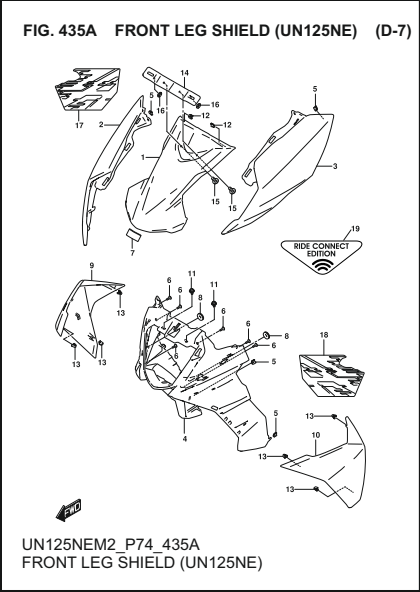
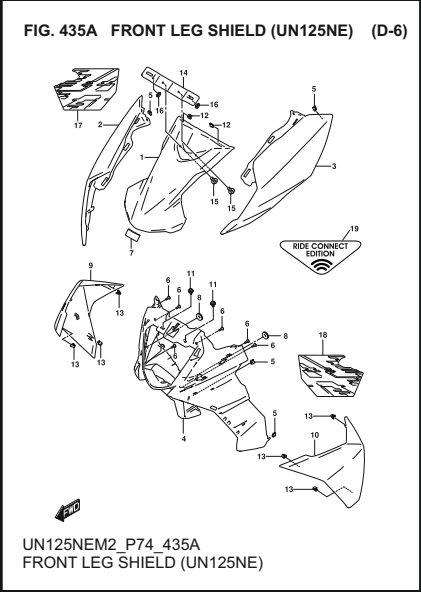
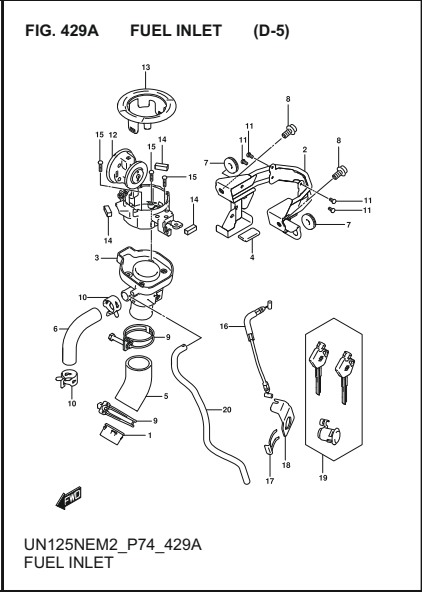
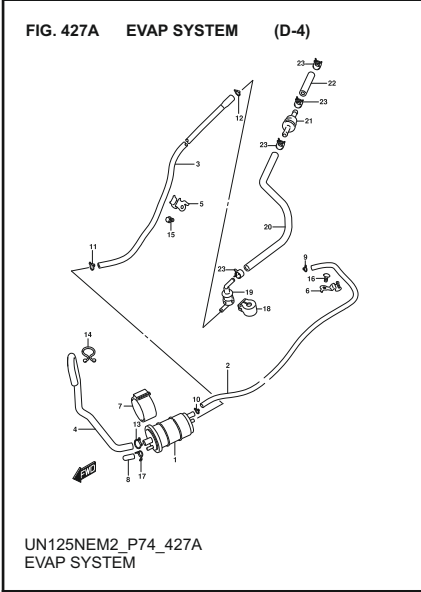


UN125NEM2\_P74\_415A  
FOOTREST

FIG. 420A FUEL TANK (D-3)



UN125NEM2\_P74\_420A  
FUEL TANK



**FIG. 445A FRAME COVER (UN125NE) (D-12)**

UN125NEM2\_P74\_445A  
FRAME COVER (UN125NE)

**FIG. 445B FRAME COVER (UN125NEZ) (D-13)**

UN125NEM2\_P74\_445B  
FRAME COVER (UN125NEZ)

**FIG. 456A HELMET BOX (D-14)**

UN125NEM2\_P74\_456A  
HELMET BOX

**FIG. 460A FRONT FENDER (UN125NE) (D-15)**

UN125NEM2\_P74\_460A  
FRONT FENDER (UN125NE)

**FIG. 460B FRONT FENDER (UN125NEZ) (D-16)**

UN125NEM2\_P74\_460B  
FRONT FENDER (UN125NEZ)

**FIG. 462A HANDLEBAR (E-2)**

UN125NEM2\_P74\_462A  
HANDLEBAR

**FIG. 463A HANDLE COVER (UN125NE) (E-3)**

UN125NEM2\_P74\_463A  
HANDLE COVER (UN125NE)

**FIG. 463B HANDLE COVER (UN125NEZ) (E-4)**

UN125NEM2\_P74\_463B  
HANDLE COVER (UN125NEZ)

**FIG. 467A HANDLE LEVER (E-5)**

UN125NEM2\_P74\_467A  
HANDLE LEVER

**FIG. 474A REAR FENDER (E-6)**

UN125NEM2\_P74\_474A  
REAR FENDER

**FIG. 496A LABEL (E-7)**

UN125NEM2\_P74\_496A  
LABEL

**FIG. 505A SEAT (E-8)**

UN125NEM2\_P74\_505A  
SEAT

**FIG. 521A FRONT FORK DAMPER (E-9)**

UN125NEM2\_P74\_521A  
FRONT FORK DAMPER

**FIG. 524A STEERING STEM (E-10)**

UN125NEM2\_P74\_524A  
STEERING STEM

**FIG. 530A FRONT WHEEL (E-11)**

UN125NEM2\_P74\_530A  
FRONT WHEEL

**FIG. 535A FRONT CALIPER (E-12)**

UN125NEM2\_P74\_535A  
FRONT CALIPER

**FIG. 537A FRONT MASTER CYLINDER (E-13)**

UN125NEM2\_P74\_537A  
FRONT MASTER CYLINDER

**FIG. 545A REAR SHOCK ABSORBER (E-14)**

UN125NEM2\_P74\_545A  
REAR SHOCK ABSORBER

**FIG. 550A REAR WHEEL (E-15)**

UN125NEM2\_P74\_550A  
REAR WHEEL

**FIG. 970A OPTIONAL (KNUCKLE, COVER SET) (E-16)**

UN125NEM2\_P74\_970A  
(KNUCKLE, COVER SET)

**FIG. 970B OPTIONAL (ACCESSORY BAR SET) (F-2)**

UN125NEM2\_P74\_970B  
OPTIONAL (ACCESSORY BAR SET)

**FIG. 970C OPTIONAL (UN125NE) (SEE NOTE 1) (F-3)**

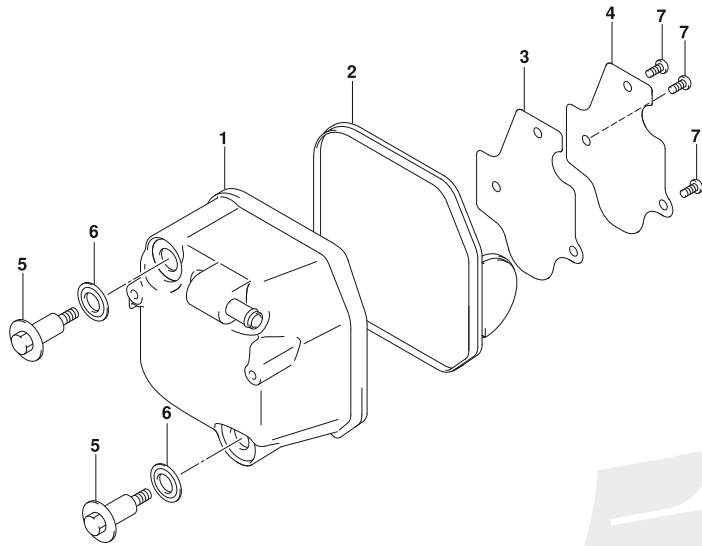
UN125NEM2\_P74\_970C  
OPTIONAL (UN125NE)(SEE NOTE 1)

**FIG. 970D OPTIONAL (TUBE SET, RR FOOTREST SIDE) (F-4)**

UN125NEM2\_P74\_970D  
OPTIONAL (TUBE SET, RR FOOTREST SIDE)

102A

FIG. 102A (B-2) CYLINDER HEAD COVER



REF NO.	PART NO.	DESCRIPTION	QTY	REMARKS
1	11170-02L10-000	COVER, CYLINDER HEAD	1	
2	11173-02L00-000	GASKET, CYL HEAD COVER	1	
3	11176-02L00-000	PLATE, BREATHER	1	
4	11177-08K00-000	GASKET, BREATHER PLATE	1	
5	09119-06138-000	BOLT, CYL HEAD COVER	2	
6	11191-27E70-000	WASHER, HEAD COVER BOLT (10.6X2 5.5X1.6)	2	
7	02112-0510A-000	SCREW	3	

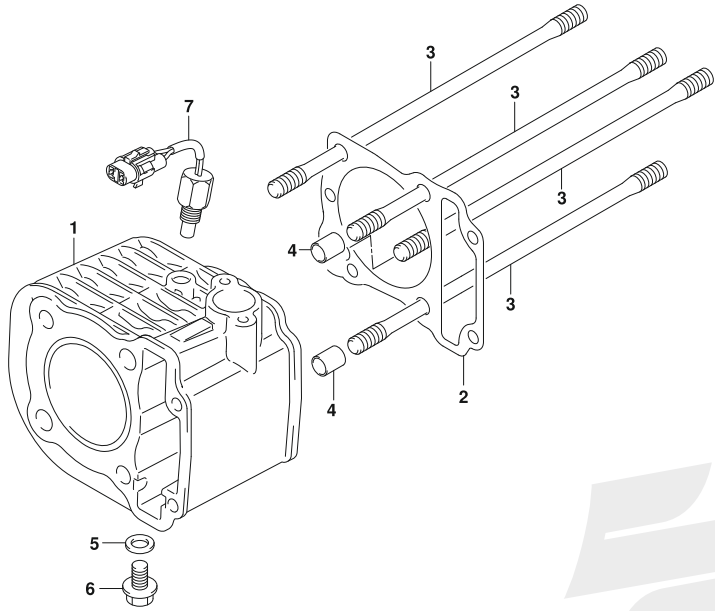


UN125NEM2\_P74\_102A  
CYLINDER HEAD COVER



107A

FIG. 107A (B-4) CYLINDER



REF NO.	PART NO.	DESCRIPTION	QTY	REMARKS
1	11210-02L00-0F0	CYLINDER	1	
2	11241-08K00-000	GASKET, CYLINDER	1	
3	09108-08302-000	STUD BOLT (L:192)	4	
4	09206-10016-000	PIN (8.2X10X13)	2	
5	09168-08008-000	GASKET (8.2X14X1)	1	
6	01550-0812A-000	BOLT	1	
7	13640-02L00-000	SENSOR, ENGINE TEMP	1	
8	11400-08810-000	ENGINE GASKET SET	1	(NOT ILLUSTRATED)

2

108A

2

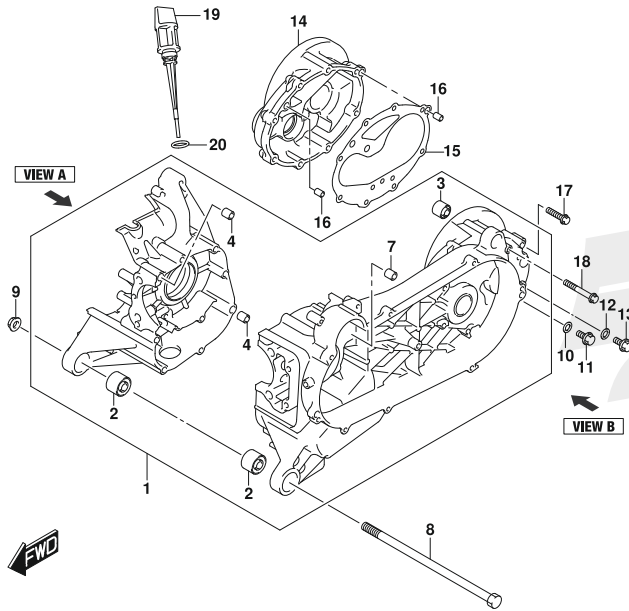
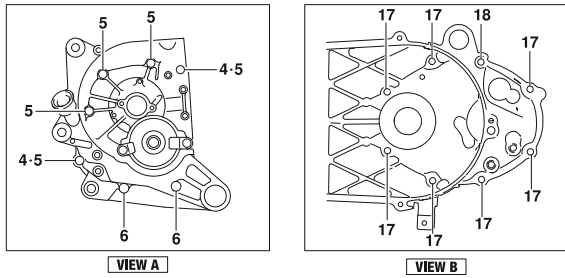
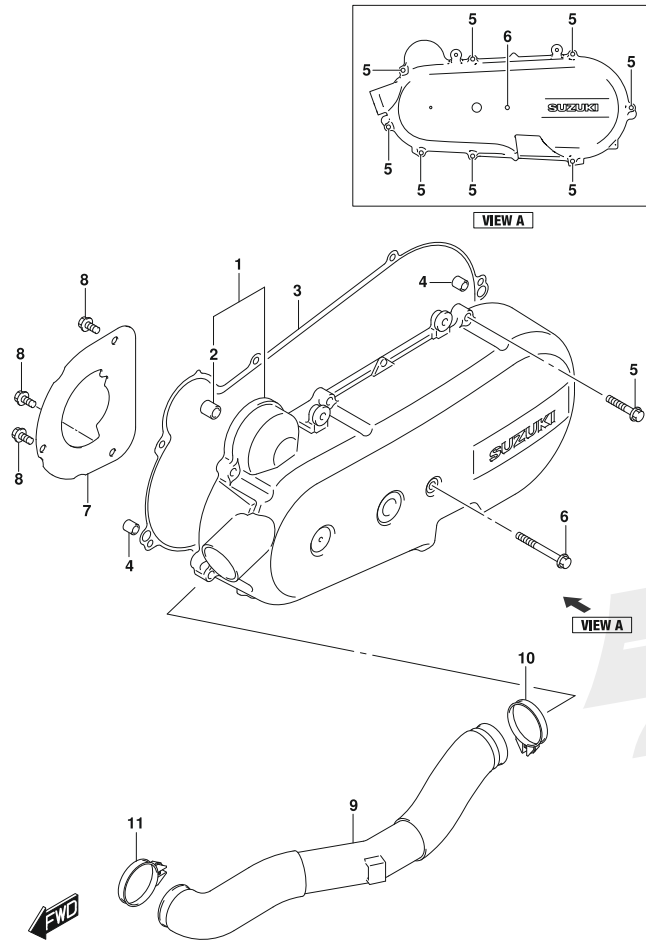


FIG. 108A (B-5) CRANKCASE

REF NO.	PART NO.	DESCRIPTION	QTY	REMARKS
1	11301-08840-000	CRANKCASE SET	1	
2	11315-39J00-000	.BUSH, ENGINE MTG	2	
3	11316-39J00-000	.BUSH, REAR SHOCK ABS	1	
4	09206-10014-000	.PIN (6.4X10X20)	2	
5	01547-0655A-000	.BOLT	5	
6	01547-0695A-000	.BOLT	2	
7	11325-09J00-000	BUSH	1	
8	11611-39J00-000	BOLT, ENG MTG (L:240)	1	
9	08316-1010A-000	NUT	1	
10	09168-08008-000	GASKET (8.2X14X1)	1	
11	01550-0812A-000	BOLT	1	
12	09168-08008-000	GASKET (8.2X14X1)	1	
13	01550-0812A-000	BOLT	1	
14	11430-39840-000	COVER SET, GEAR BOX	1	
15	11484-39J30-000	GASKET, GEAR BOX COVER	1	
16	09206-08008-000	PIN (6.3X8X12)	2	
17	01547-0630A-000	BOLT	7	
18	01547-0655A-000	BOLT	1	
19	11971-09J00-000	GAUGE,OIL LEVEL	1	
20	09280-17003-000	O RING (D:3.1,ID:16.8)	1	

112A

FIG. 112A (B-6) CRANKCASE COVER



REF NO.	PART NO.	DESCRIPTION	QTY	REMARKS
1	11340-08K40-000	COVER, CLUTCH	1	
2	11325-09J00-000	.BUSH	1	
3	11482-08K00-000	GASKET, CLUTCH COVER	1	
4	09206-08008-000	PIN (6.3X8X12)	2	
5	01547-0625A-000	BOLT	8	
6	01547-0690A-000	BOLT	1	
7	11346-08K00-000	PLATE, CLUTCH COVER AIR INTAKE	1	
8	01547-0612A-000	BOLT	3	
9	11383-39J10-000	DUCT, BELT COOLING INLET	1	
10	09402-46209-000	CLAMP, BELT COOLING DUCT	1	
11	09402-42001-000	CLAMP	1	

120A

2

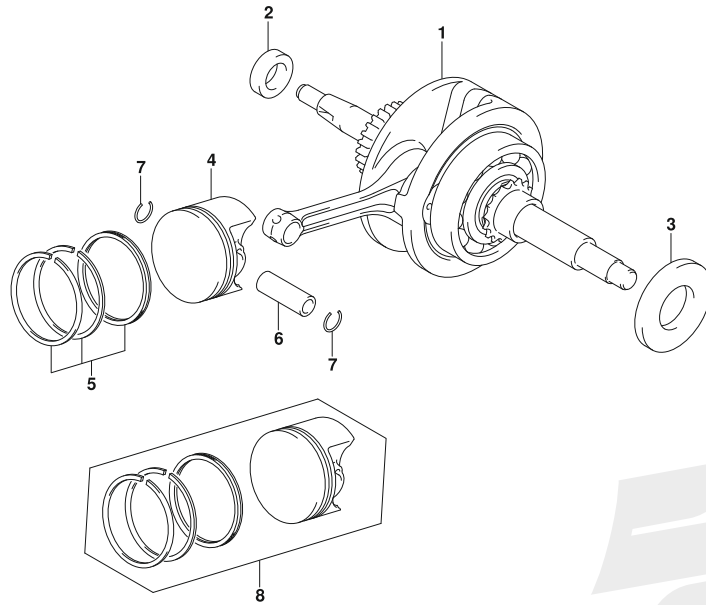
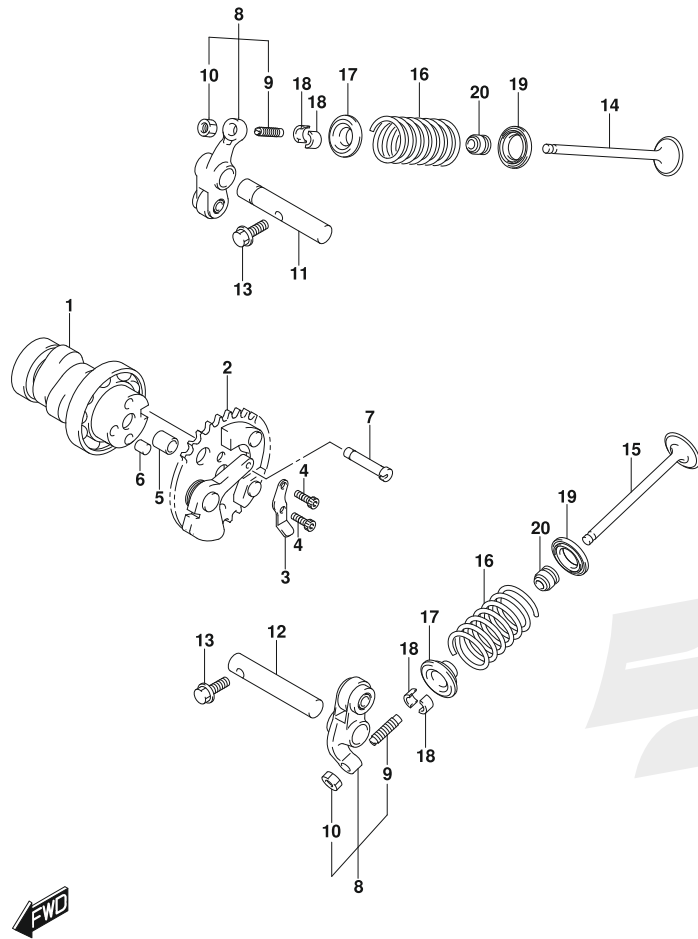


FIG. 120A (B-7) CRANKSHAFT

REF NO.	PART NO.	DESCRIPTION	QTY	REMARKS
1	12200-08K51-000	CRANKSHAFT ASSY	1	
2	09283-16L03-000	SEAL, CRANKSHAFT OIL RH (20.5X32x5)	1	
3	12227-08K00-000	SEAL, CRANKSHAFT OIL LH	1	
4	12111-08K10-0F0	PISTON	1	
5	12140-08K50-000	RING SET, PISTON	1	
6	12151-43J00-000	PIN, PISTON	1	
7	09381-12001-000	SNAP RING	2	
8	12100-08K60-050	PISTON SET, OS 0.5	1	
9	11200-02830-000	CYLINDER PISTON KIT	1	(NOT ILLUSTRATED)

126A

FIG. 126A (B-8) CAMSHAFT/VALVE



REF NO.	PART NO.	DESCRIPTION	QTY	REMARKS
1	12710-02L00-000	CAMSHAFT	1	
2	12740-08K00-000	SPROCKET, CAMSHAFT (NT:34)	1	
3	12714-34J10-000	WASHER, SPROCKET (NT:26)	1	
4	09106-05028-000	BOLT (5X15)	2	
5	09206-08008-000	PIN (6.3X8X12)	1	
6	09261-05005-000	PIN (5X8)	1	
7	12951-08K00-000	CAM, DECOMPRESSION	1	
8	12840-43J00-000	ARM ASSY, VALVE ROCKER	2	
9	12842-34J00-000	.SCREW, TAPPET ADJUSTING (NT:24)	2	
10	12843-27A70-000	.NUT, TAPPET ADJUSTING	2	
11	12861-35J00-000	SHAFT, VALVE ROCKER ARM INTAKE	1	INTAKE
12	12871-35J00-000	SHAFT, VALVE ROCKER ARM EXHAUST	1	EXHAUST
13	01550-0512A-000	BOLT	2	
14	12911-43J00-000	VALVE, INTAKE	1	
15	12912-02L00-000	VALVE, EXHAUST	1	
16	12921-43J00-000	SPRING, VALVE	2	
17	12931-09G20-000	RETAINER, VALVE SPRING	2	
18	12932-09G10-000	COTTER, VALVE (NT:23)	4	
19	12933-09G00-000	SEAT, VALVE SPRING	2	
20	09289-05019-000	OIL SEAL (4X10X8)	2	

127A

2

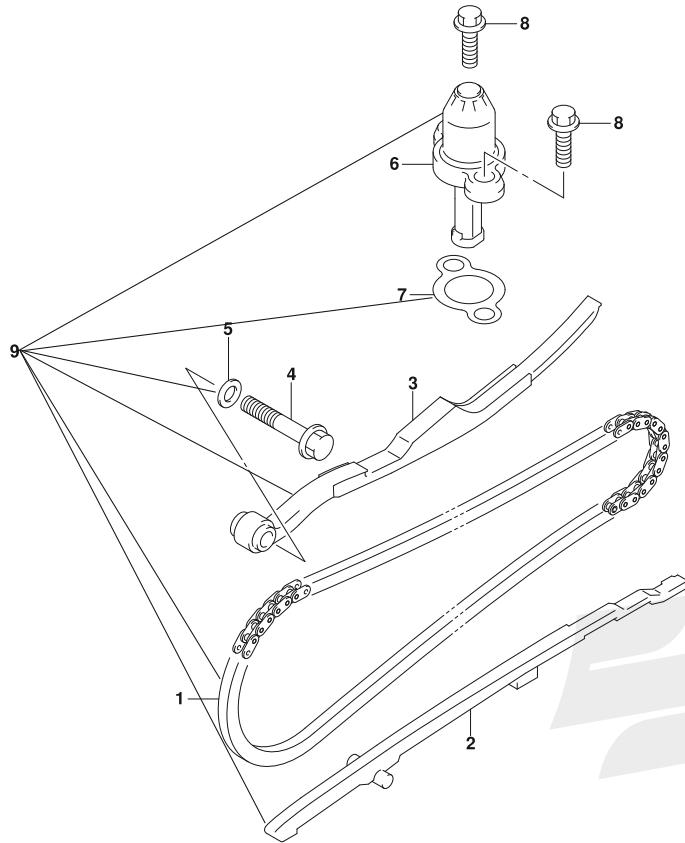


FIG. 127A (B-9) CAM CHAIN

REF NO.	PART NO.	DESCRIPTION	QTY	REMARKS
1	12760-08K10-000	CHAIN, CAMSHAFT DRIVE	1	
2	12771-08K00-000	GUIDE, CAM CHAIN	1	
3	12811-08K10-000	TENSIONER, CAM CHAIN	1	
4	09103-06247-000	BOLT (6X32)	1	
5	09168-06004-000	GASKET (6.2X11X1.2)	1	
6	12830-42K00-000	ADJUSTER ASSY, TENSIONER	1	
7	12837-39J20-000	GASKET, TENSIONER ADJUSTER	1	
8	01547-0620A-000	BOLT	2	
9	12800-42810-000	ENGINE TIMING KIT	1	



UN125NEM2\_P74\_127A  
CAM CHAIN

140A

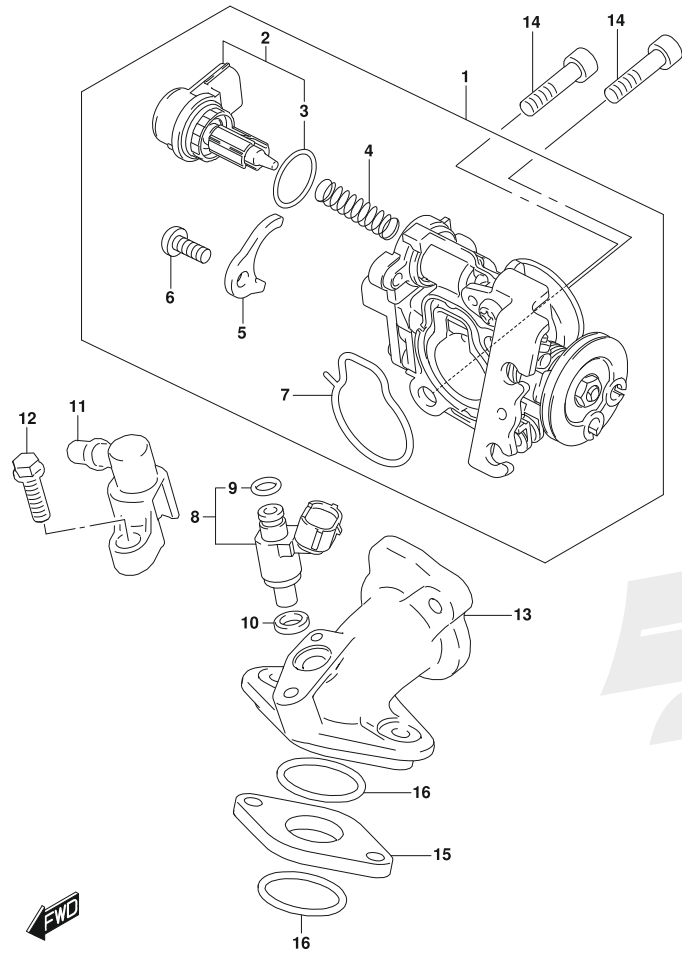


FIG. 140A (B-10) THROTTLE BODY

REF NO.	PART NO.	DESCRIPTION	QTY	REMARKS
1	13400-02L10-000	BODY ASSY, THROTTLE	1	
2	18117-10K00-000	.STEPPING MOTOR	1	
3	13438-09JA0-000	..O-RING	1	
4	13417-02L00-000	.SPRING	1	
5	13421-02L00-000	.PLATE	1	
6	13602-02L00-000	.SCREW	2	
7	13295-02L00-000	.O RING	2	
8	15710-02L00-000	INJECTOR ASSY, FUEL	1	
9	15716-42J00-000	.O RING	1	
10	15722-02L00-000	SEAL	1	
11	15830-02L00-000	JOINT, FUEL HOSE	1	
12	01547-0620A-000	BOLT	1	
13	13111-02L00-000	PIPE, INTAKE	1	
14	07130-0625A-000	BOLT	2	
15	13128-08K01-000	INSULATOR, INTAKE PIPE	1	
16	09280-26017-000	O-RING (D:2.4, ID:25.7)	2	

2

UN125NEM2\_P74\_140A  
THROTTLE BODY

155A

2

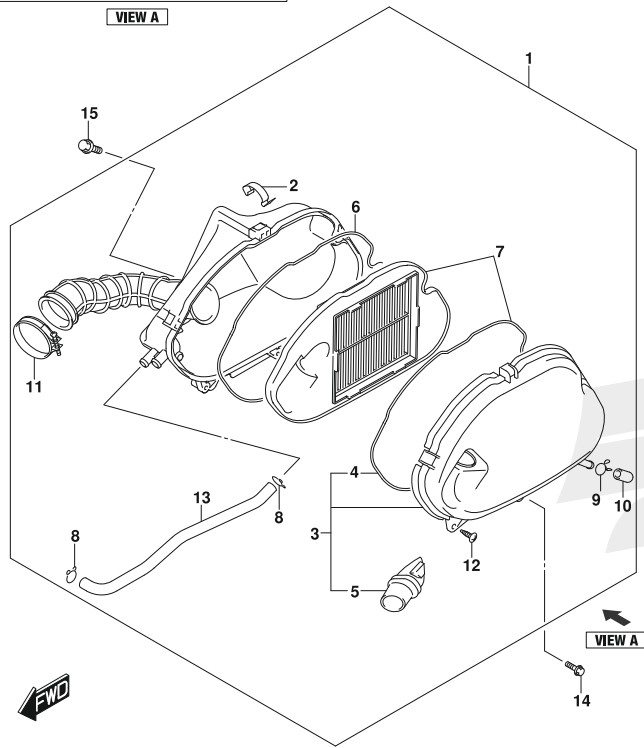
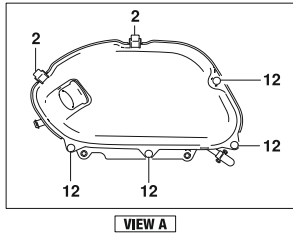
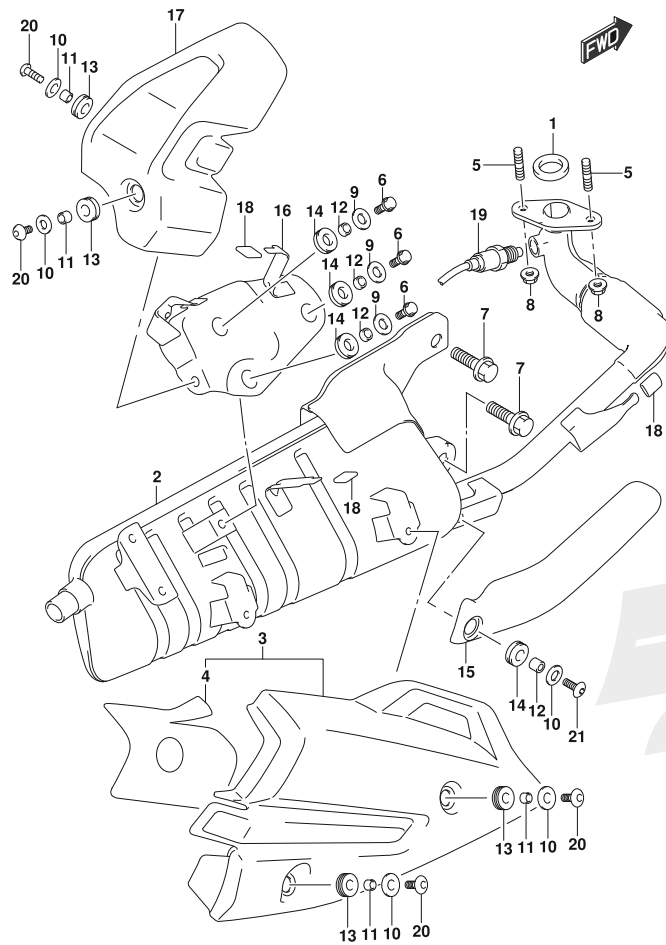


FIG. 155A (B-11) AIR CLEANER

REF NO.	PART NO.	DESCRIPTION	QTY	REMARKS
1	13700-02L20-000	CLEANER ASSY, AIR	1	
2	13755-54G00-000	.CLIP, AIR CLEANER	2	
3	13740-02L20-000	.CAP, AIR CLEANER	1	
4	13746-08K00-000	.GASKET	1	
5	13891-08K00-000	.TUBE, INLET	1	
6	13746-08K00-000	.GASKET	1	
7	13700-02810-000	AIR FILTER KIT	1	
8	09401-12418-000	.CLIP	2	
9	13825-08K00-000	.CLIP	1	
10	13871-41H00-000	.PLUG, DRAIN	1	
11	13856-02L10-000	.CLAMP	1	
12	03541-0520A-000	.SCREW	4	
13	13850-02L10-000	.TUBE, BRETHER	1	
14	09116-06103-000	BOLT (6X30)	2	
15	63115-08K00-000	BOLT, REAR FENDER LOWER	1	

UN125NEM2\_P74\_155A  
AIR CLEANER

# 163A



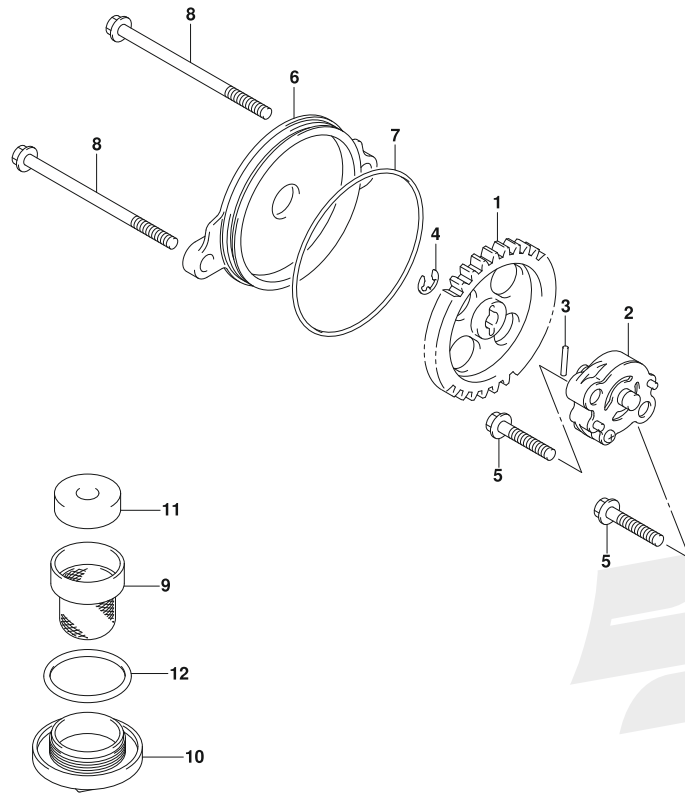
## FIG. 163A (B-12) MUFFLER

REF NO.	PART NO.	DESCRIPTION	QTY	REMARKS
1	14181-30A30-000	GASKET, EXH PIPE	1	
2	14310-14L20-000	BODY, MUFFLER	1	
3	14780-44K10-000	COVER, MUFFLER	1	
4	14782-44K00-000	.SHIELD, MUF COVER	1	
5	01421-0616A-000	BOLT, STUD	2	
6	01550-0616A-000	BOLT	3	
7	01550-1040A-000	BOLT	2	
8	08316-1006A-000	NUT (6X12)	2	
9	09160-06028-000	WASHER (6.5X18X1.0)	3	
10	09160-06151-000	WASHER (6.5X18X1)	5	
11	09180-06256-000	SPACER (6.5X9X5.7)	4	
12	09180-06343-000	SPACER	4	
13	09320-08L02-000	CUSHION	4	
14	09320-08082-000	CUSHION	4	
15	14180-44K10-000	COVER, EXH PIPE	1	
16	14760-44K01-000	STAY, MUF RR COV	1	
17	14791-44K30-000	COVER, MUF TAIL	1	
18	14795-10FA0-000	GROMMET	3	
19	18213-12K10-000	SENSOR, OXYGEN	1	
20	09139-06217-000	SCREW, MUF COVER (6X16)	4	
21	01550-0616B-000	BOLT	1	

170A

FIG. 170A (B-13) OIL PUMP

2



REF NO.	PART NO.	DESCRIPTION	QTY	REMARKS
1	16331-08K00-000	GEAR, OIL PUMP DRIVEN (NT:43)	1	
2	16400-08K00-000	PUMP ASSY, ENG OIL	1	
3	16421-20E00-000	PIN	1	
4	08332-11059-000	E RING	1	
5	01547-0625A-000	BOLT	2	
6	16422-09J00-000	COVER, OIL PUMP	1	
7	16423-09J00-000	O-RING, OIL PUMP COVER	1	
8	01547-0680A-000	BOLT	2	
9	16520-09J00-000	STRAINER, ENG OIL	1	
10	16523-09J00-000	CAP, OIL STRAINER	1	
11	16526-09J00-000	PLUG, OIL STRAINER	1	
12	16525-09J00-000	O-RING	1	



UN125NEM2\_P74\_170A  
OIL PUMP

172A

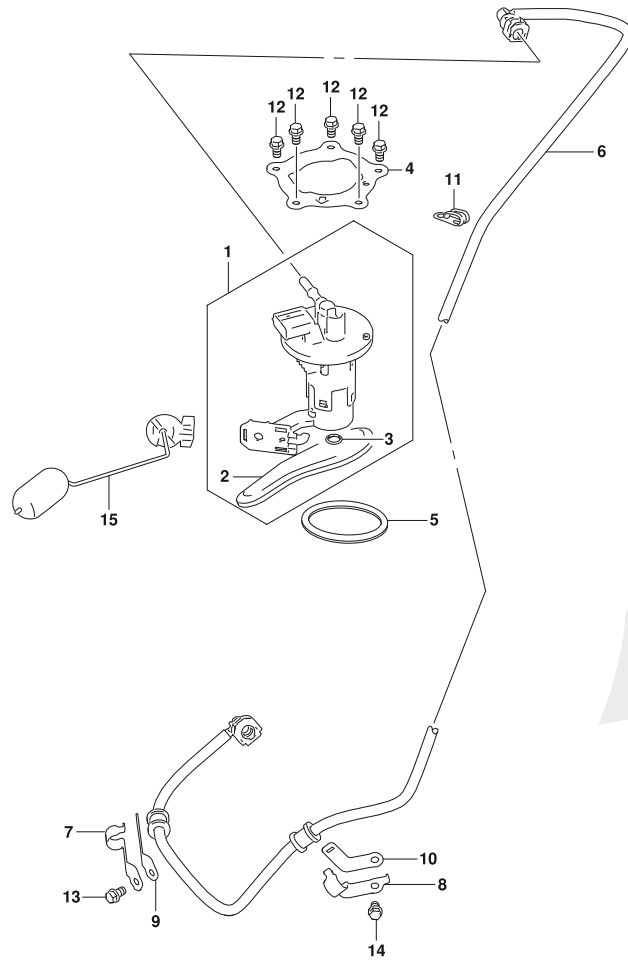


FIG. 172A (B-14) FUEL PUMP

REF NO.	PART NO.	DESCRIPTION	QTY	REMARKS
1	15100-02L00-000	PUMP ASSY, FUEL	1	
2	15420-02L00-000	.FILTER	1	
3	15424-09JB0-000	.O RING	1	
4	15121-02L10-000	PLATE, FUEL PUMP	1	
5	15201-02L00-000	O-RING,FUEL PUMP	1	
6	15810-02L01-000	HOSE, FUEL	1	
7	15891-02L00-000	CLAMP, FUEL HOSE FR	1	
8	15892-02L00-000	CLAMP, FUEL HOSE RR	1	
9	15893-02L00-000	CLAMP, FUEL HOSE RR NO.2	1	
10	15894-02L00-000	CLAMP, FUEL HOSE RR NO.2	1	
11	09404-06429-000	CLAMP (L:45)	1	
12	01547-0610A-000	BOLT	5	
13	01547-0610A-000	BOLT	1	
14	01547-0610A-000	BOLT	1	
15	34810-14L00-000	GAUGE ASSY, FUEL LEVEL SENDER	1	

2

181A

2

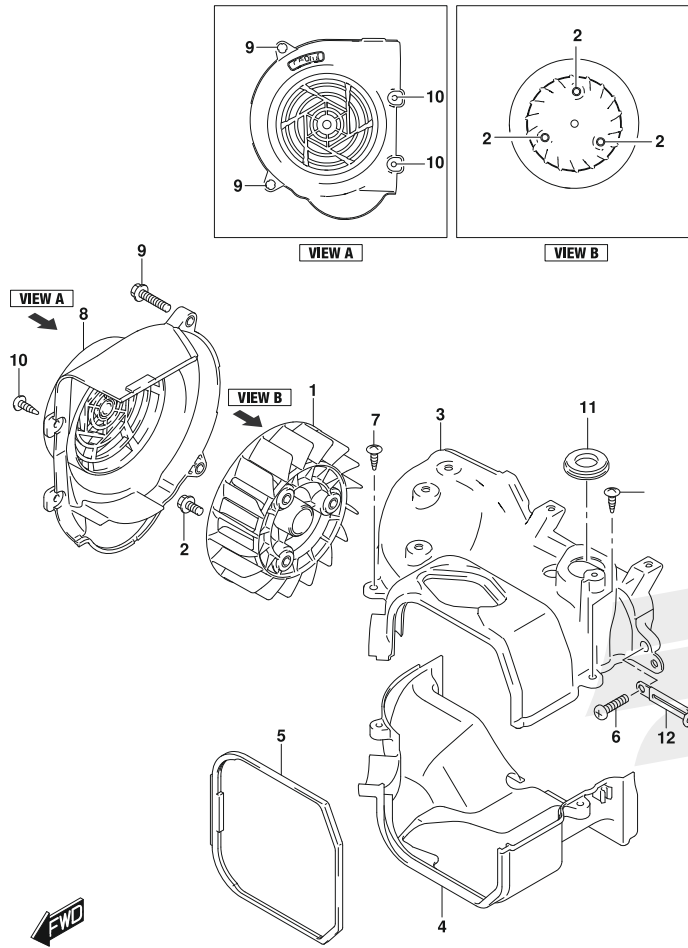


FIG. 181A (B-15) COOLING FAN

REF NO.	PART NO.	DESCRIPTION	QTY	REMARKS
1	17110-09J50-000	FAN, COOLING	1	
2	01550-0612A-000	BOLT	3	
3	17120-02L00-000	COWLING, CYLINDER UPPER	1	
4	17122-02L00-000	COWLING, CYLINDER LOWER	1	
5	17123-08K00-000	MOLD, CYLINDER COWLING	1	
6	01547-0625A-000	BOLT	1	
7	03541-0516A-000	SCREW	2	
8	17130-02L00-000	COWLING, FAN	1	
9	01547-0625A-000	BOLT	2	
10	03541-0516A-000	SCREW	2	
11	17124-02L00-000	MOLD, TENSIONER ADJUSTER	1	
12	09404-06429-000	CLAMP (L:45)	1	

UN125NEM2\_P74\_181A  
COOLING FAN

210A

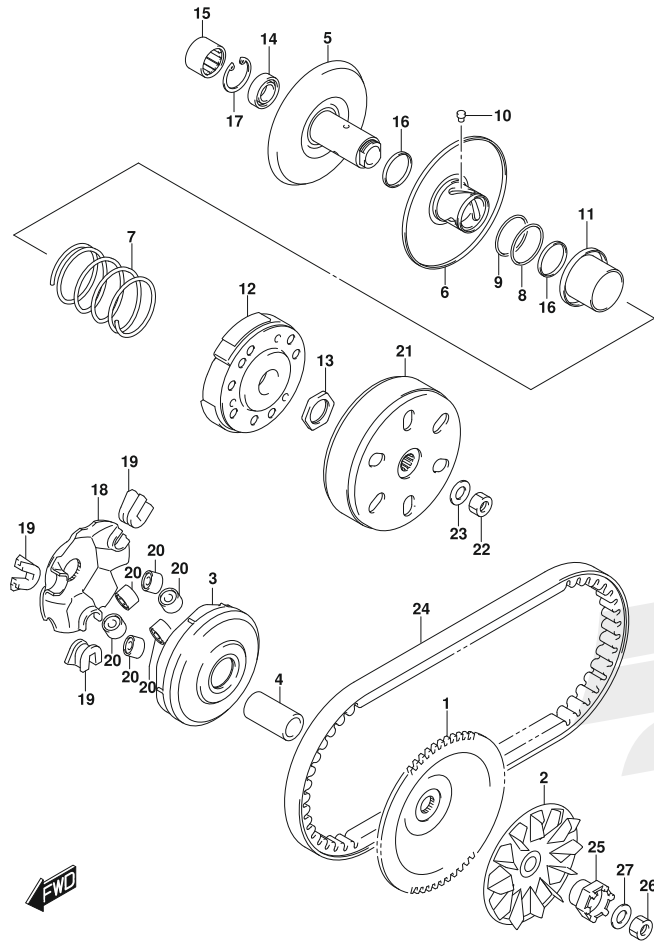


FIG. 210A (B-16) TRANSMISSION (1)

REF NO.	PART NO.	DESCRIPTION	QTY	REMARKS
1	21111-08K00-000	FACE, FIXED DRIVE	1	
2	21113-39J10-000	FAN, FIXED DRIVE	1	
3	21120-33G70-000	FACE, MOVABLE DRIVE	1	
4	21125-33G00-000	SPACER, MOVABLE DRIVE	1	
5	21210-08K00-000	FACE, FIXED DRIVEN	1	
6	21240-08K01-000	FACE, MOVABLE DRIVEN	1	
7	21243-08K00-000	SPRING, MOVABLE DRIVEN	1	
8	21245-09J00-000	O-RING,MOVABLE DRIVEN	1	
9	21246-08K00-000	O-RING,MOVABLE DRIVEN	1	
10	21248-08K00-000	PIN, MOVABLE DRIVEN	3	
11	21471-08K00-000	SHEET, MOVABLE DRIVEN	1	
12	21501-08K10-000	CLUTCH ASSY, SHOE	1	
13	21518-09J00-000	NUT, SHOE CLUTCH	1	
14	21215-08K10-000	BEARING, FIXED DRIVEN, L	1	
15	21214-08K00-000	BEARING, FIXED DRIVEN, R	1	
16	21247-08K00-000	SEAL, MOVABLE DRIVEN OIL	2	
17	21216-08K00-000	CIRCLIP, FIXED DRIVEN	1	
18	21431-33G00-000	PLATE, MOVABLE DRIVE	1	
19	21481-08K00-000	DAMPER, MOVABLE DRIVE PLATE	3	
20	21650-08K10-000	ROLLER, MOVABLE DRIVE	6	
21	21220-08K10-000	HOUSING, CLUTCH	1	
22	09140-12055-000	NUT	1	
23	08211-12223-000	WASHER	1	
24	27601-08K10-000	V-BELT,DRIVE	1	
25	26231-08K00-000	STARTER, KICK, RH	1	
26	09140-12055-000	NUT	1	
27	08211-12223-000	WASHER	1	

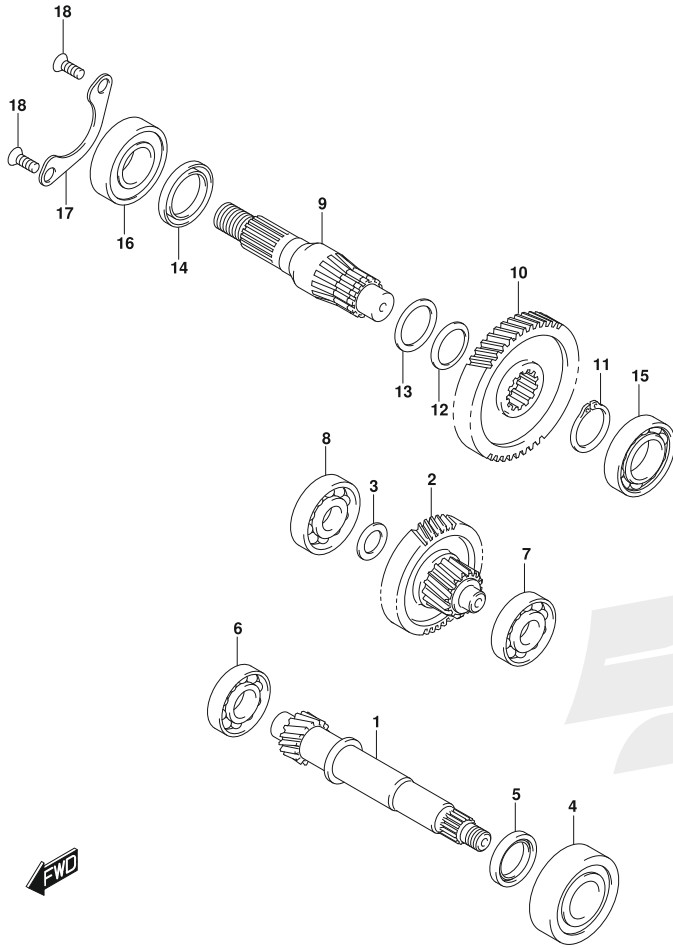
2

UN125NEM2\_P74\_210A  
TRANSMISSION (1)

211A

FIG. 211A (C-2) TRANSMISSION (2)

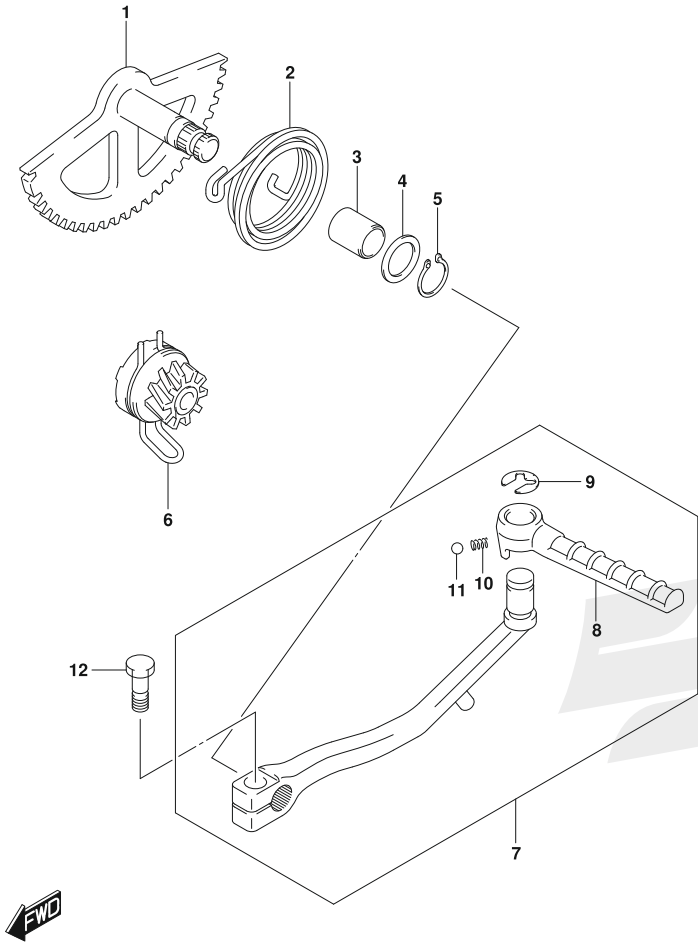
2



REF NO.	PART NO.	DESCRIPTION	QTY	REMARKS
1	24131-33G80-000	SHAFT, DRIVE (NT:17)	1	
2	24150-39J40-000	SHAFT, IDLE (NT:13/42)	1	
3	09181-12167-000	SHIM (12X20X1)	1	
4	09262-20171-000	BEARING, DRIVE SHAFT LH (20X47X14)	1	
5	09283-20069-000	SEAL, DRIVE SHAFT OIL (19X28X5)	1	
6	08110-6202A-000	BEARING (15X35X11)	1	
7	09262-12034-000	BEARING, IDLE SHAFT LH (12X32X10)	1	
8	09262-12035-000	BEARING, IDLE SHAFT RH (12X28X8)	1	
9	24141-08K10-000	SHAFT, REAR AXLE	1	
10	24371-39J10-000	GEAR, FINAL DRIVEN (NT:45)	1	
11	08331-31249-000	CIRCLIP	1	
12	24142-08K00-000	WASHER, FINAL DRIVEN GEAR	1	
13	09181-25051-000	SHIM (T:0.60)	1	
14	09283-29007-000	SEAL, AXLE SHAFT OIL	1	
15	08110-62030-000	BEARING	1	
16	09262-22041-000	BEARING (22X50X14)	1	
17	24751-09J00-000	RETAINER, DRIVE SHAFT BEARING	1	
18	02122-0616A-000	SCREW	2	

240A

FIG. 240A (C-3) KICK STARTER



REF NO.	PART NO.	DESCRIPTION	QTY	REMARKS
1	26210-08K00-000	SHAFT, KICK STARTER (NT:56)	1	
2	26212-46G00-000	SPRING, KICK STARTER SHAFT	1	
3	26213-39J00-000	BUSH, KICK SHAFT	1	
4	09160-14053-000	WASHER (14.5X22X0.8)	1	
5	08331-31149-000	CIRCLIP	1	
6	26200-39J00-000	GEAR ASSY, KICK STARTER DRIVEN (NT:10)	1	
7	26300-08K00-000	LEVER ASSY, KICK STARTER	1	
8	26351-08K00-000	.PEDAL, KICK STARTER	1	
9	09383-08002-000	.E RING	1	
10	09440-05005-000	.SPRING	1	
11	06112-07004-000	.BALL	1	
12	26314-33G30-000	BOLT,KICK STARTER LEVER	1	

2

301A

2

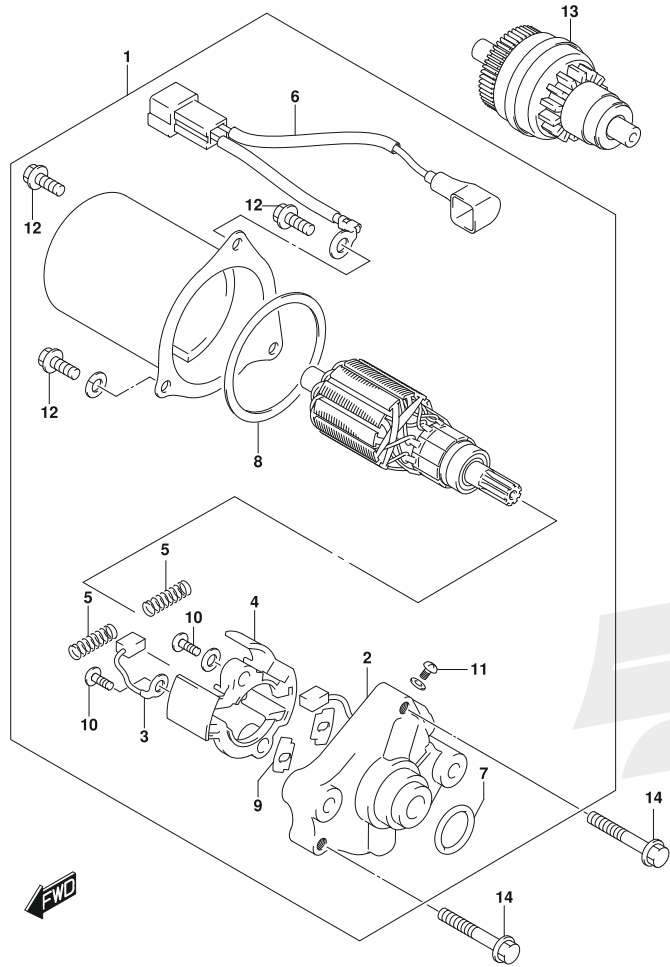


FIG. 301A (C-4) STARTING MOTOR

REF NO.	PART NO.	DESCRIPTION	QTY	REMARKS
1	31100-08K21-000	MOTOR ASSY, STARTING	1	
2	31130-08K20-000	.HOLDER ASSY, STARTING	1	
3	31131-08K20-000	.BRUSH, UNIT	2	
4	31132-08K20-000	.HOLDER, BRUSH	1	
5	31135-08K20-000	.SPRING	2	
6	31142-08K20-000	.WIRE, STARTER MOTOR	1	
7	31156-32G00-000	.O RING	1	
8	31157-08K20-000	.GASKET	1	
9	31173-08K20-000	.INSULATOR, BRUSH	1	
10	02112-34063-000	.SCREW	2	
11	02112-34088-000	.SCREW	1	
12	02112-3512A-000	.SCREW	3	
13	31370-32G00-000	PINION ASSY, STARTING MOTOR	1	
14	01547-0630A-000	BOLT	2	

UN125NEM2\_P74\_301A  
STARTING MOTOR

303A

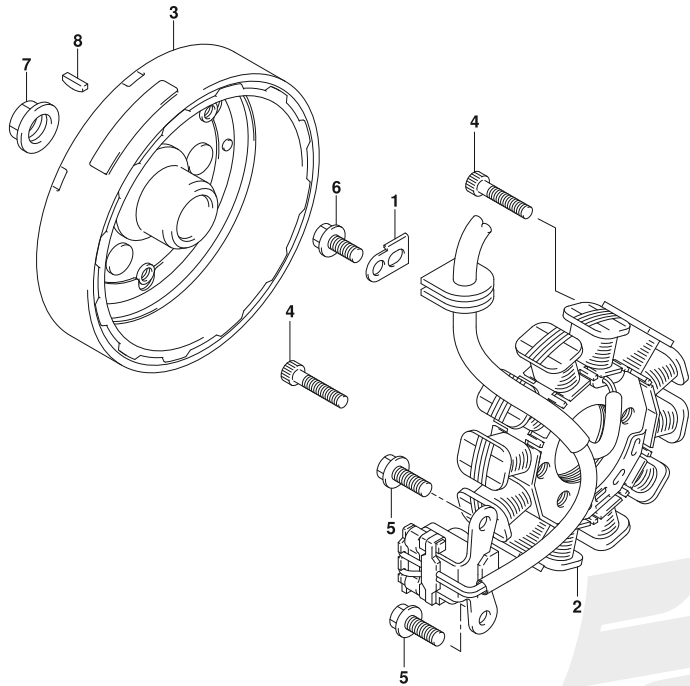


FIG. 303A (C-5) MAGNETO

REF NO.	PART NO.	DESCRIPTION	QTY	REMARKS
1	31497-39J00-000	CLAMP, MAGNETO LEAD	1	
2	32101-02L00-000	STATOR ASSY	1	
3	32102-02L00-000	ROTOR ASSY	1	
4	07130-0625A-000	BOLT	2	
5	07130-0612A-000	BOLT	2	
6	07130-0612A-000	BOLT	1	
7	08316-1010A-000	NUT	1	
8	08341-31039-000	KEY	1	

2

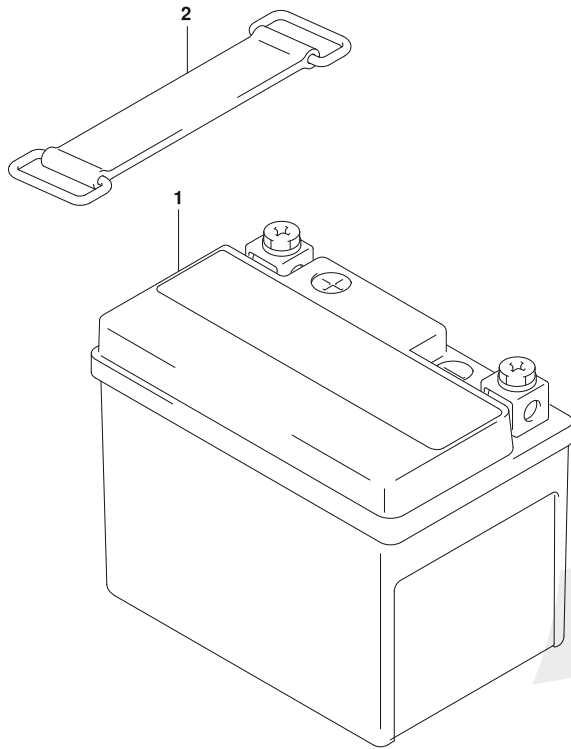


310A

FIG. 310A (C-6) BATTERY

REF NO.	PART NO.	DESCRIPTION	QTY	REMARKS
1	33610-39J30-000	BATTERY ASSY	1	(Non-Serviceable)
2	09462-00043-000	BAND	1	

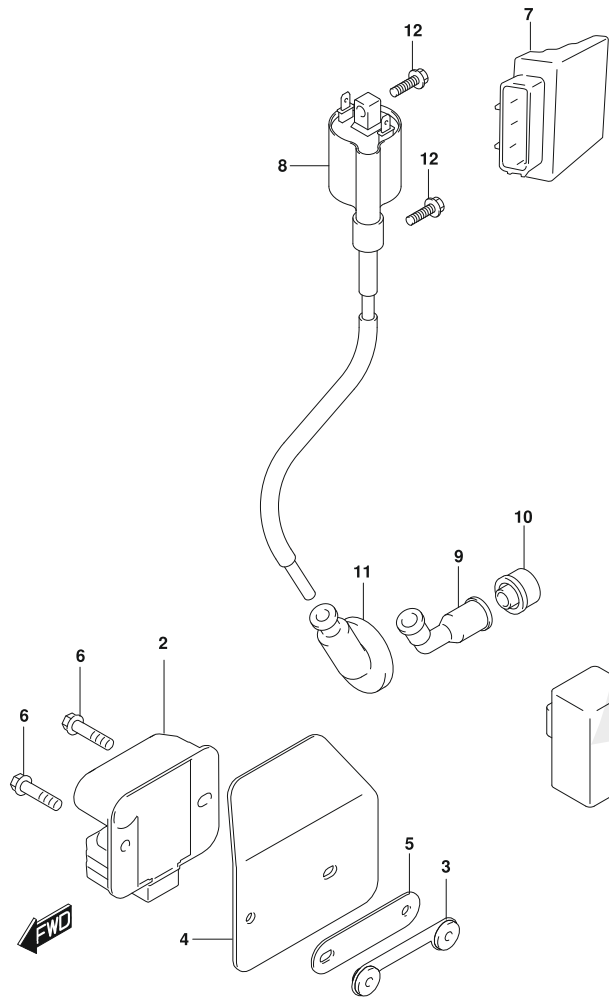
2



UN125NEM2\_P74\_310A  
BATTERY

312A

FIG. 312A (C-7) ELECTRICAL

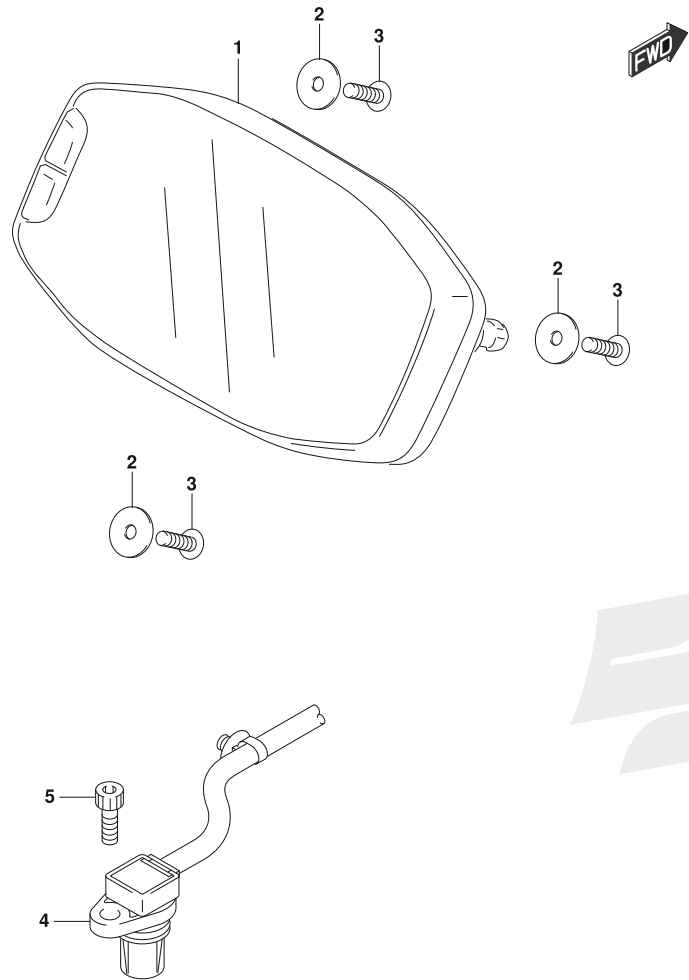


REF NO.	PART NO.	DESCRIPTION	QTY	REMARKS
1	31800-23J20-000	RELAY ASSY, STARTING MOTOR	1	
2	32800-02L00-000	RECTIFIER ASSY	1	
3	32830-14L00-000	NUT, PLATE	1	
4	32832-14L00-000	PLATE, RECTIFIER	1	
5	32832-14L10-000	SPACER, PLATE	1	
6	01547-0625A-000	BOLT	2	
7	32920-02L30-000	CONTROL UNIT,FI	1	
8	33410-02L10-000	COIL ASSY, IGNITION	1	
9	33510-08K00-000	CAP, SPARK PLUG	1	
10	33541-08K00-000	SEAL, SPARK PLUG	1	
11	33542-08K00-000	SEAL, HIGH TENSION CORD	1	
12	01547-0620A-000	BOLT	2	

3

330A

FIG. 330A (C-8) SPEEDOMETER



REF NO.	PART NO.	DESCRIPTION	QTY	REMARKS
1	34100-14L00-000	SPEEDOMETER ASSY	1	
2	09160-04026-000	WASHER (4.5X16X1.2)	3	
3	03541-0416A-000	SCREW	3	
4	34990-44K01-000	SENSOR, SPEED	1	
5	07130-0616A-000	BOLT	1	

UN125NEM2\_P74\_330A  
SPEEDOMETER

333A

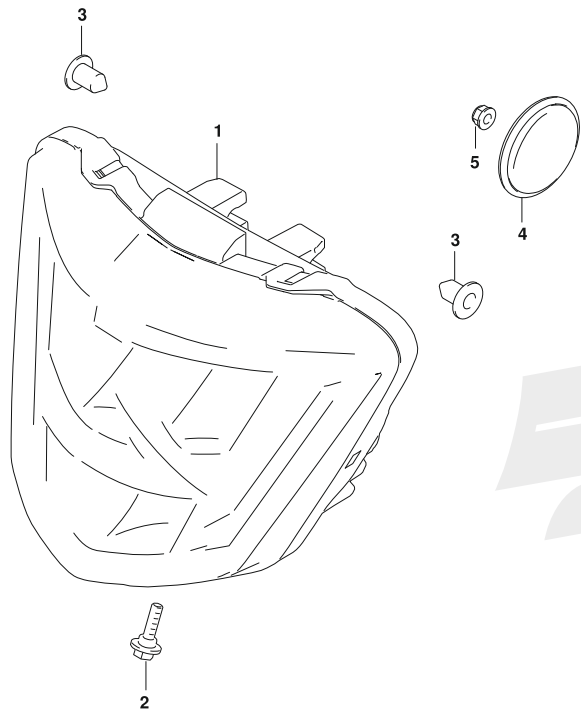
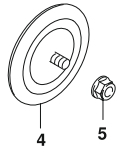


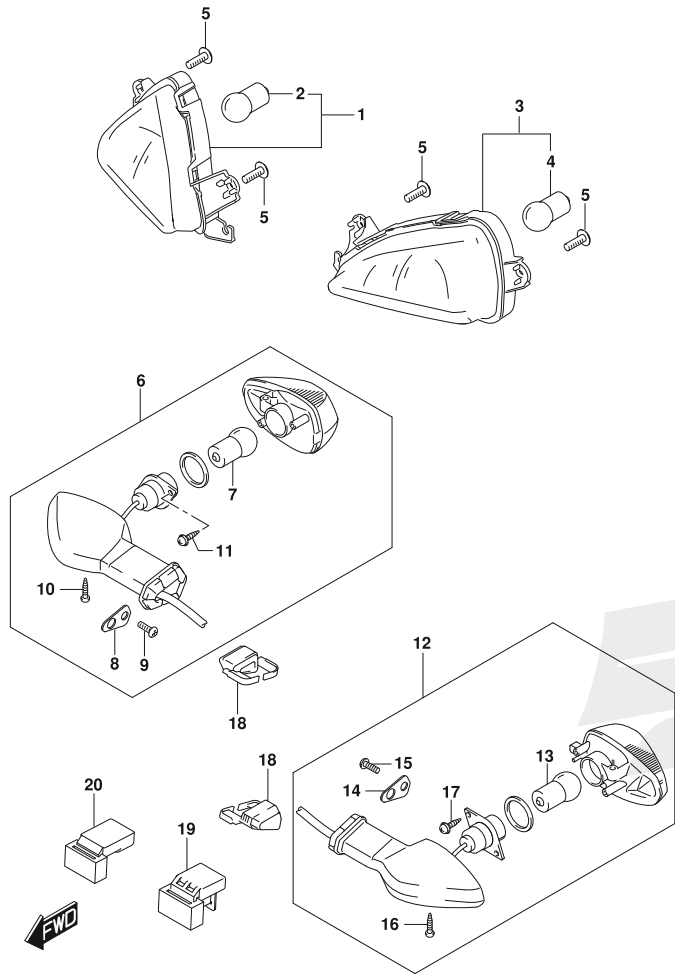
FIG. 333A (C-9) HEADLAMP

REF NO.	PART NO.	DESCRIPTION	QTY	REMARKS
1	35100-14L00-000	HEADLAMP ASSY	1	
2	35151-44J00-000	SCREW, HEADLAMP	1	
3	51831-30H00-000	CUSHION, METER BRACE	2	
4	35950-20L00-000	REFLECTOR ASSY	2	
5	08319-3106A-000	NUT	2	

334A

FIG. 334A (C-10) TURN SIGNAL LAMP

REF NO.	PART NO.	DESCRIPTION	QTY	REMARKS
1	35601-14L00-000	LAMP ASSY, FRONT TURN SIGNAL, R	1	
2	09471-12216-000	.BULB (12V5W)	1	
3	35602-14L00-000	LAMP ASSY, FRONT TURN SIGNAL, L	1	
4	09471-12216-000	.BULB (12V5W)	1	
5	03541-0516A-000	SCREW	4	
6	35603-20LA0-000	LAMP ASSY, REAR TURN SIGNAL, R	1	
7	35222-34J80-000	.BULB (12V10W,AMBER)	1	
8	35616-34J00-000	.PLATE	1	
9	35623-34J00-000	.SCREW	1	
10	35623-34J30-000	.SCREW	1	
11	35623-34J40-000	.SCREW	2	
12	35604-20LA0-000	LAMP ASSY, REAR TURN SIGNAL, L	1	
13	35222-34J80-000	.BULB (12V10W, AMBER)	1	
14	35616-34J00-000	.PLATE	1	
15	35623-34J00-000	.SCREW	1	
16	35623-34J30-000	.SCREW	1	
17	35623-34J40-000	.SCREW	2	
18	35629-34J30-000	PLATE, FRONT TURN SIGNAL	2	
19	38610-23J10-000	RELAY ASSY, TURN SIGNAL	1	
20	38610-27K00-000	RELAY ASSY, TURN SIGNAL	1	



3

UN125NEM2\_P74\_334A  
TURN SIGNAL LAMP

339A

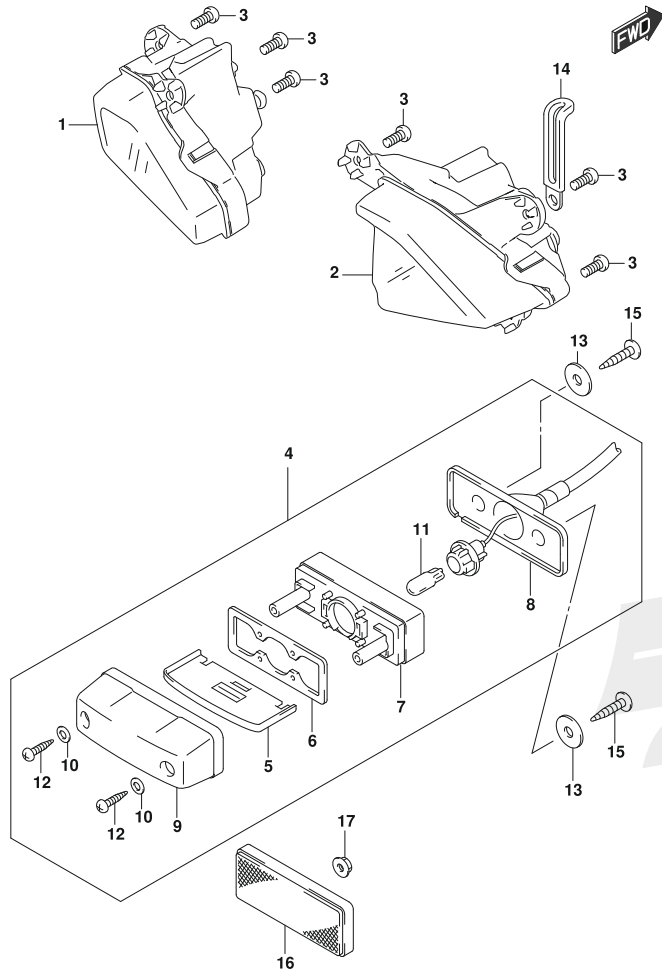


FIG. 339A (C-11) REAR COMBINATION LAMP

REF NO.	PART NO.	DESCRIPTION	QTY	REMARKS
1	35701-14L00-000	LAMP ASSY, REAR COMB, R	1	
2	35702-14L00-000	LAMP ASSY, REAR COMB, L	1	
3	03541-0516A-000	SCREW	6	
4	35910-16GD0-000	LAMP ASSY, LICENSE	1	
5	35912-30H01-000	.LENS	1	
6	35913-30H00-000	.GASKET	1	
7	35915-30H00-000	.HOUSING	1	
8	35916-30H00-000	.RUBBER PAD	1	
9	35917-30H00-000	.COVER	1	
10	35926-30H00-000	.WASHER	2	
11	09471-12216-000	.BULB (12V5W)	1	
12	03211-04203-000	.SCREW	2	
13	09160-05501-000	WASHER (5.5X20X1.2)	2	
14	09404-06429-000	CLAMP (L:45)	1	
15	03541-0520A-000	SCREW	2	
16	35970-28G00-000	REFLECTOR ASSY, REAR	1	
17	08319-3105A-000	NUT	1	

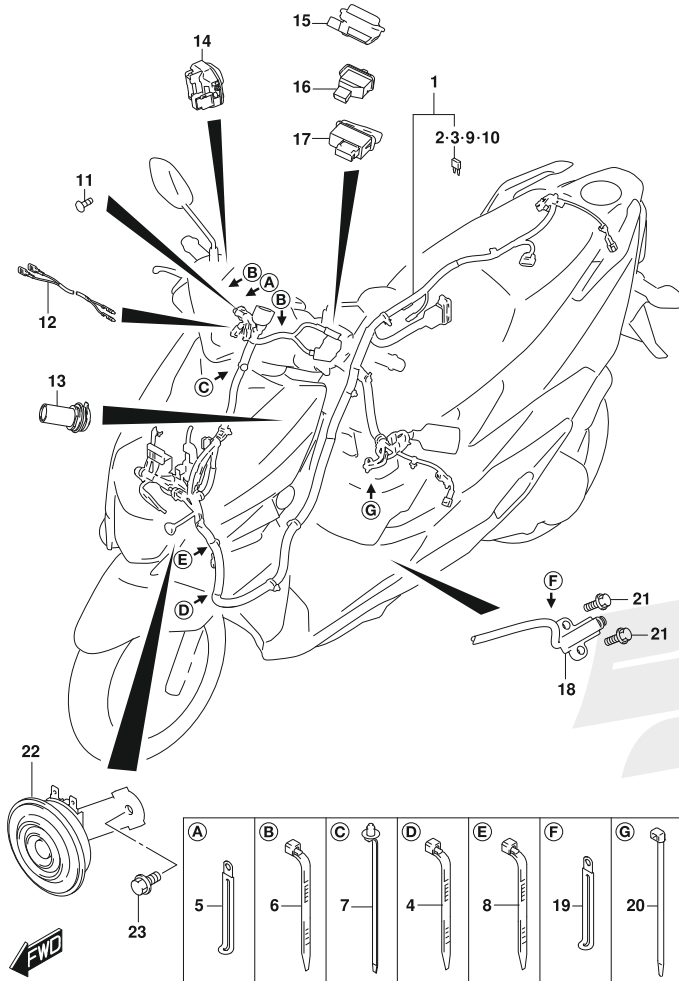
3

UN125NEM2\_P74\_339A  
REAR COMBINATION LAMP

350A

FIG. 350A (C-12) WIRING HARNESS

3



REF NO.	PART NO.	DESCRIPTION	QTY	REMARKS
1	36610-14L00-000	HARNESS, WIRING	1	
2	09481-15501-000	.FUSE (15A)	1	
3	09481-20501-000	.FUSE (20A)	1	
4	36990-70F20-000	CLAMP, COMB SW WIRE (L:165)	1	
5	09404-06429-000	CLAMP (L:45)	1	
6	09407-14L01-000	CLAMP, WIRING HARNESS (L:125)	2	
7	09407-15408-000	CLAMP, WIRING HARNESS	1	
8	09407-29403-000	CLAMP, WIRING HARNESS	1	
9	09481-15501-000	FUSE (15A)	1	
10	09481-20501-000	FUSE (20A)	1	
11	03541-0516A-000	SCREW	1	
12	36852-44K00-000	WIRE, FRONT BRAKE SW LEAD	1	
13	39105-44K00-000	SOCKET, USB	1	
14	37330-02L10-000	SWITCH ASSY, STARTER & ENG STOP	1	
15	37420-02L10-000	SWITCH ASSY, DIMMER	1	
16	37510-33G40-000	SWITCH ASSY, TURN SIGNAL	1	
17	37520-33G11-000	SWITCH ASSY, HORN	1	
18	37840-02L00-000	SWITCH ASSY, SIDE STAND	1	
19	09404-06429-000	CLAMP (L:45)	1	
20	09407-14407-000	CLAMP (L:145)	1	
21	01550-0620A-000	BOLT	2	
22	38500-02L00-000	HORN ASSY	1	
23	01550-0612A-000	BOLT	1	

UN125NEM2\_P74\_350A  
WIRING HARNESS

352A

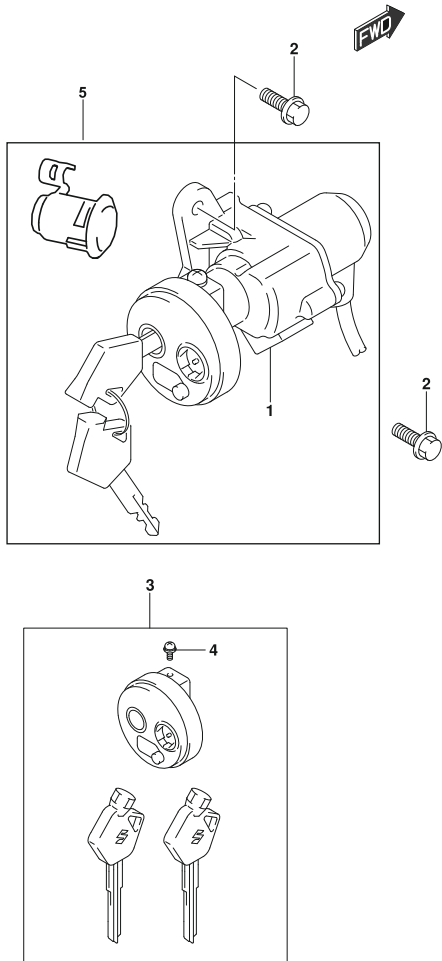


FIG. 352A (C-13) LOCK SET

REF NO.	PART NO.	DESCRIPTION	QTY	REMARKS
1	37100-08K10-000	LOCK ASSY, STEERING	1	
2	01550-0616A-000	BOLT	2	
3	37155-08810-000	SHUTTER SET	1	
4	02112-3510A-000	.SCREW	1	
5	37011-08K20-000	LOCK SET	1	

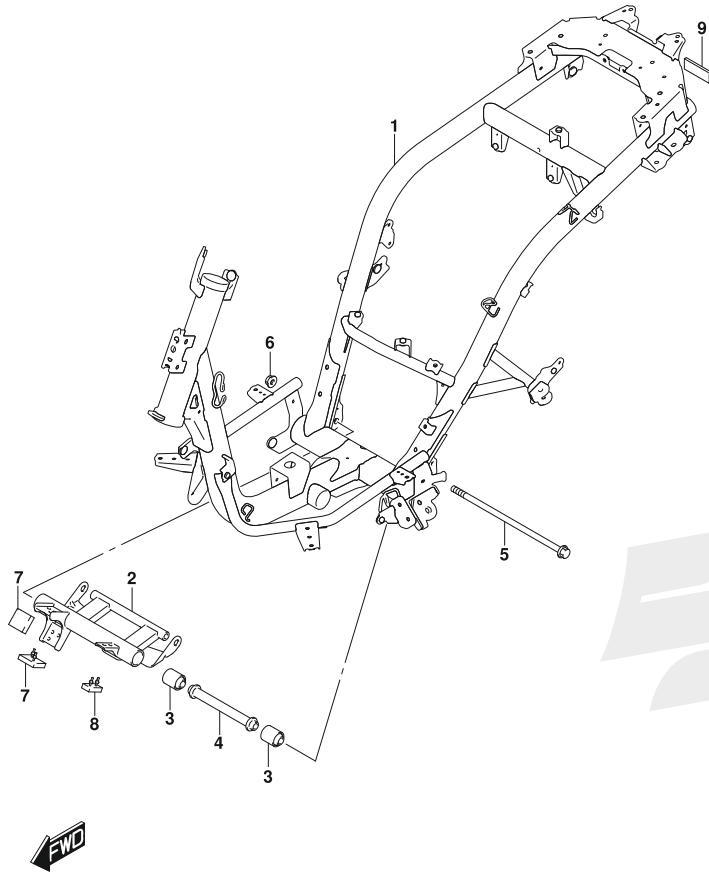
3

UN125NEM2\_P74\_352A  
LOCK SET

401A

FIG. 401A (C-14) FRAME

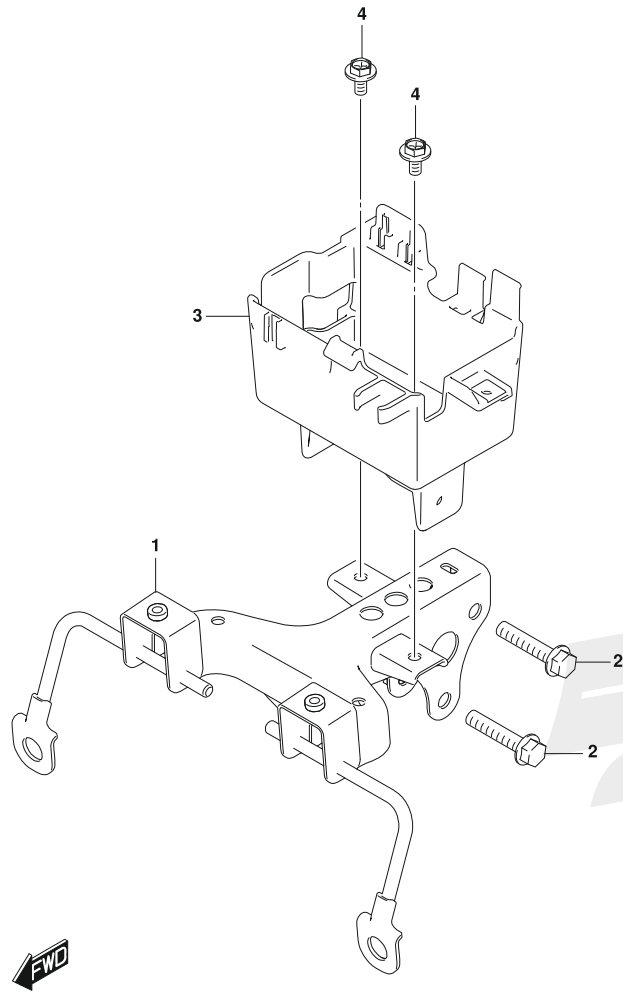
REF NO.	PART NO.	DESCRIPTION	QTY	REMARKS
1	41100-14L00-000	FRAME	1	
2	41180-02L00-000	BRACKET, CRANKCASE	1	
3	41184-39J00-000	BUSH, CRANKCASE BRKT	2	
4	41170-09J10-000	SPACER, CRANKCASE BRKT	1	
5	41189-39J00-000	BOLT, CRANKCASE BRKT (10X255)	1	
6	08319-3110A-000	NUT	1	
7	41185-08K00-000	CUSHION, SWING STOP	1	
8	41185-09J00-000	CUSHION	2	
9	33652-34J00-000	PROTECTOR	1	



UN125NEM2\_P74\_401A  
FRAME

405A

FIG. 405A (C-15) BATTERY HOLDER



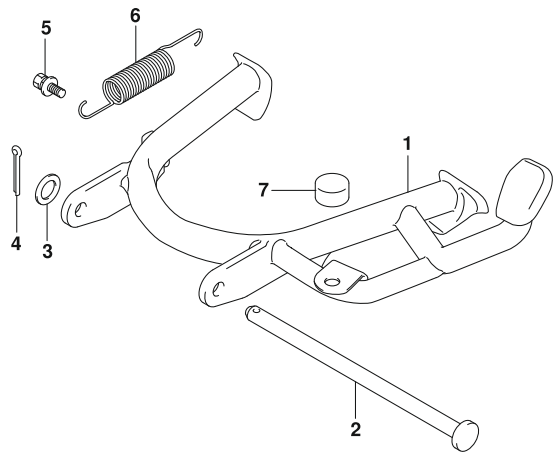
REF NO.	PART NO.	DESCRIPTION	QTY	REMARKS
1	41540-14L00-000	HOLDER, BATTERY NO.2	1	
2	01550-0840A-000	BOLT	2	
3	41521-14L00-000	HOLDER, BATTERY NO.1	1	
4	09111-06106-000	BOLT (6X12)	2	

4

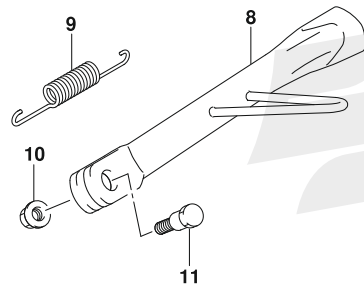
UN125NEM2\_P74\_405A  
BATTERY HOLDER

407A

FIG. 407A (C-16) STAND



REF NO.	PART NO.	DESCRIPTION	QTY	REMARKS
1	42100-02L00-000	STAND, CENTER	1	
2	42211-39J00-000	SHAFT, CENTER STAND	1	
3	42275-25J00-000	WASHER, CTR STAND	1	
4	04111-3020A-000	PIN	1	
5	42251-32G00-000	BOLT, CENTER STAND SPRING	1	
6	09443-17026-000	SPRING	1	
7	42278-44K00-000	CUSHION	1	
8	42310-02L00-000	STAND, PROP	1	
9	42421-02L00-000	SPRING, PROP STAND INNER	1	
10	08319-3110A-000	NUT	1	
11	42341-27K00-000	BOLT, PROP STAND (10X33)	1	



4

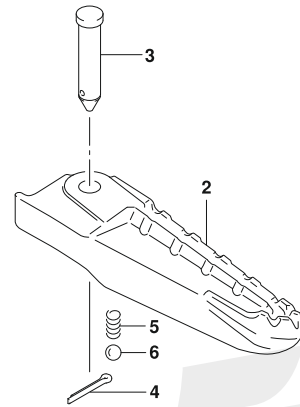
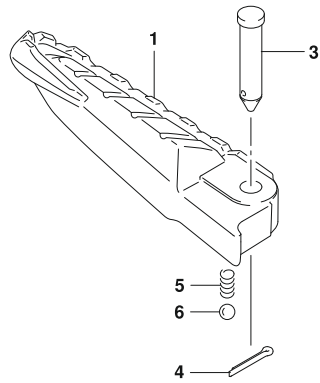


UN125NEM2\_P74\_407A  
STAND

415A

FIG. 415A (D-2) FOOTREST

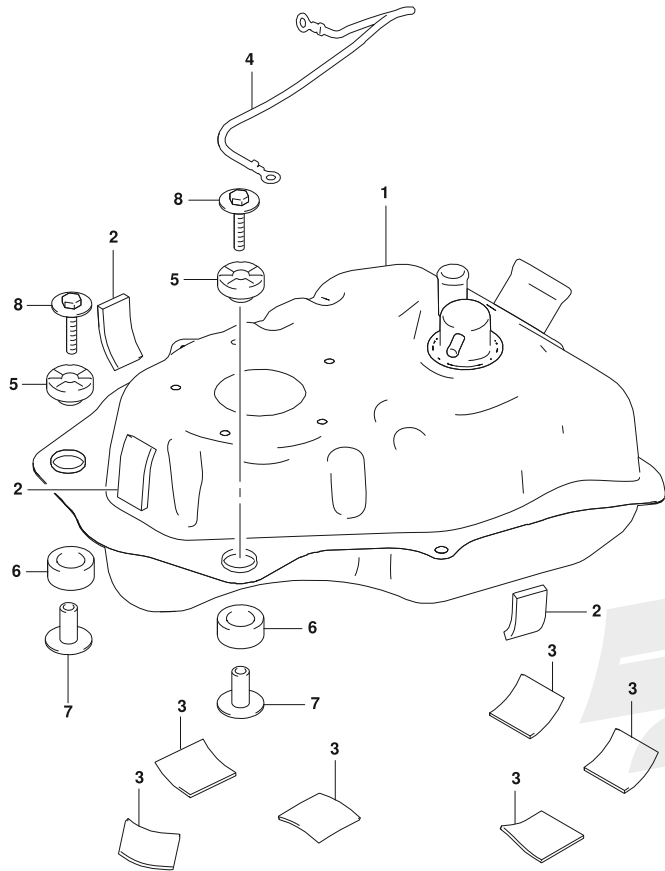
REF NO.	PART NO.	DESCRIPTION	QTY	REMARKS
1	43611-44K10-000	BAR, PILLION FOOTREST RH	1	
2	43621-44K10-000	BAR, PILLION FOOTREST LH	1	
3	09200-08077-000	PIN, FR FOOTREST	2	
4	04111-2515A-000	PIN	2	
5	09440-05003-000	SPRING	2	
6	06111-07004-000	BALL	2	



420A

FIG. 420A (D-3) FUEL TANK

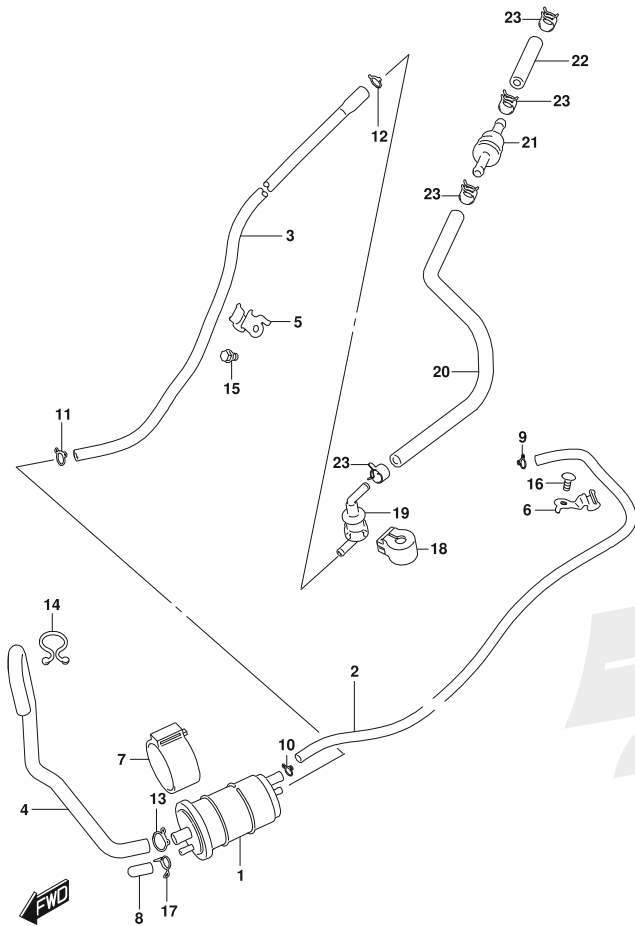
REF NO.	PART NO.	DESCRIPTION	QTY	REMARKS
1	44110-14L00-000	TANK, FUEL	1	
2	44281-02L00-000	CUSHION, FUEL TANK UPR 2	3	
3	44281-29C00-000	CUSHION (30X30X3)	6	
4	36851-14L00-000	WIRE, FUEL TANK	1	
5	44541-44J00-000	CUSHION, FUEL TANK UPR	2	
6	44542-44J00-000	CUSHION, FUEL TANK LWR	2	
7	44544-27K00-000	SPACER, FUEL TANK CUSHION	2	
8	09116-06097-000	BOLT (6X35)	2	



UN125NEM2\_P74\_420A  
FUEL TANK

427A

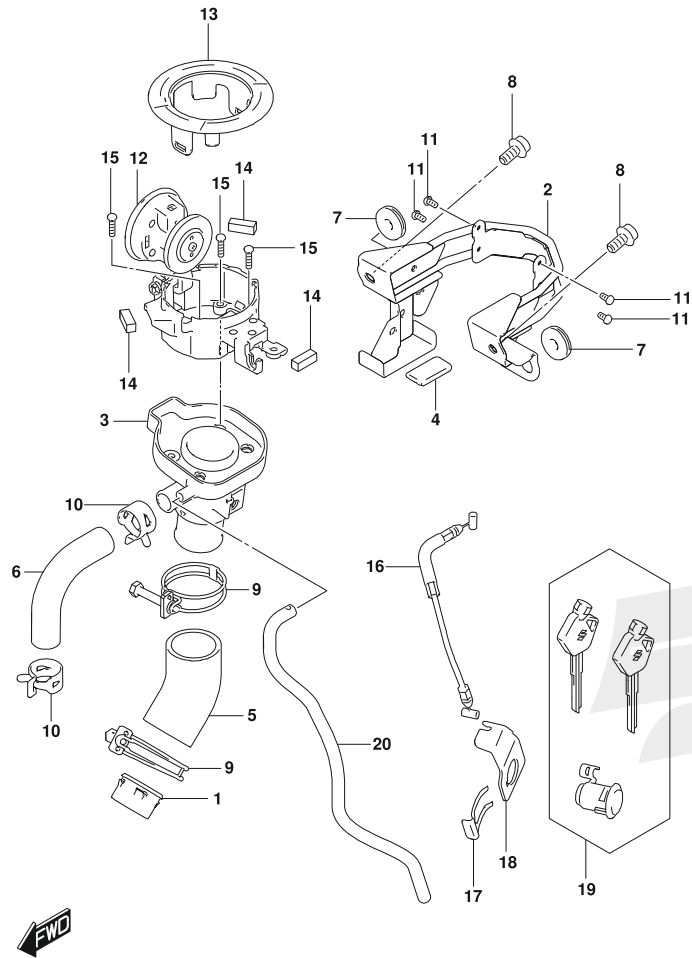
FIG. 427A (D-4) EVAP SYSTEM



REF NO.	PART NO.	DESCRIPTION	QTY	REMARKS
1	18560-02L00-000	CANISTER ASSY, EVAP	1	
2	18561-02L10-000	HOSE, CSTR PURGE	1	
3	18563-02L00-000	HOSE, CSTR SURGE	1	
4	18567-02L00-000	HOSE, CSTR AIR	1	
5	18571-02L00-000	CLAMP, PURGE HOSE NO.1	1	
6	18572-02L00-000	CLAMP, PURGE HOSE NO.2	1	
7	18573-02L00-000	CUSHION, CANISTER	1	
8	09251-04004-000	CAP, CANISTER DRAIN	1	
9	09401-08001-000	CLIP, CANISTER PURGE HOSE NO.1	1	
10	09401-09101-000	CLIP	1	
11	09401-09101-000	CLIP	1	
12	09401-10401-000	CLIP	1	
13	09401-13102-000	CLIP	1	
14	09408-00343-000	CLAMP	1	
15	01547-0610A-000	BOLT	1	
16	03541-0512A-000	SCREW	1	
17	09401-09406-000	CLIP	1	
18	44894-39J10-000	CUSHION, FUEL TANK BRTHR	1	
19	44240-13H00-000	VALVE, FUEL TANK BRTHR	1	
20	44434-14L00-000	HOSE, TANK & 2 WAY VALVE	1	
21	89485-771C0-000	VALVE, 2 WAY CHECK	1	
22	44435-14L00-000	HOSE, CHECK VALVE & BRTH VALVE	1	
23	09401-09L03-000	CLIP (ID:9.4,H:8)	4	

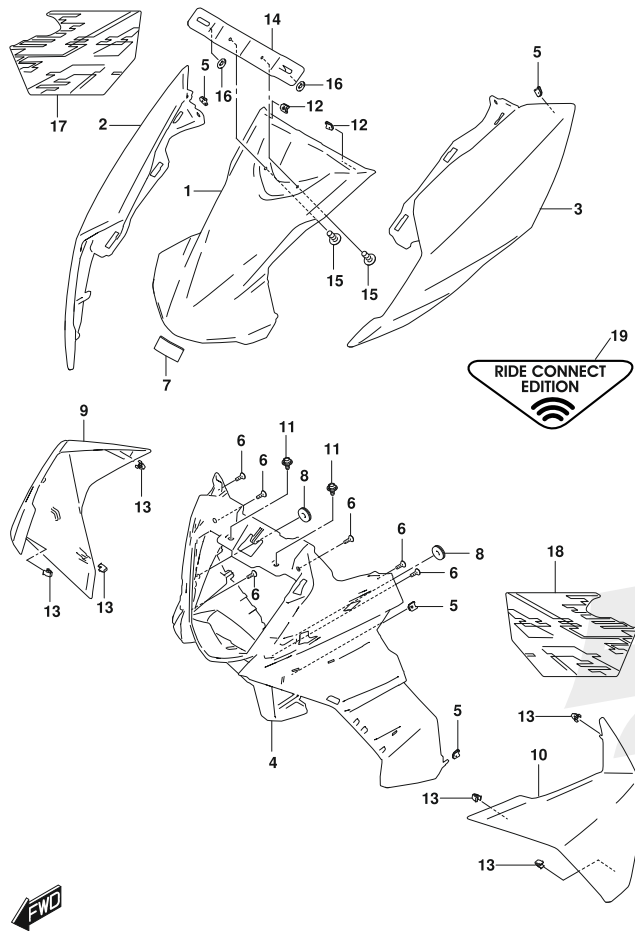
429A

FIG. 429A (D-5) FUEL INLET



REF NO.	PART NO.	DESCRIPTION	QTY	REMARKS
1	89280-77A00-000	VALVE,FUEL TANK INLET	1	
2	44160-14L00-000	BRACKET, FUEL TANK INLET	1	
3	44190-14L10-000	INLET, FUEL TANK UPPER	1	
4	44281-02L00-000	CUSHION, FUEL TANK UPR 2	1	
5	44422-14L00-000	HOSE, FUEL TANK FILLER	1	
6	44424-14L00-000	HOSE, FUEL TANK AIR VENT	1	
7	47162-30H00-000	CUSHION (8X26X7)	2	
8	09106-08211-000	BOLT (8X16)	2	
9	09400-45L01-000	CLAMP, FUEL FILLER HOSE	2	
10	09401-20002-000	CLIP, BREATHER HOSE	2	
11	02112-0408A-000	SCREW	4	
12	44210-14L00-000	CAP, FUEL TANK FILLER	1	
13	44218-14L00-000	COVER, FUEL TANK CAP	1	
14	44281-14L00-000	CUSHION, FUEL TANK FILLER CAP	3	
15	02112-0416A-000	SCREW	3	
16	44230-14L00-000	CABLE ASSY, FUEL TANK CAP	1	
17	44231-14L00-000	PLATE, TANK CAP LOCK CABLE	1	
18	45288-20G20-000	GUIDE, SEAT LOCK CABLE	1	
19	95700-14830-000	LOCK SET, FUEL TANK CAP	1	
20	44423-14L00-000	HOSE, FUEL DRAIN	1	

# 435A

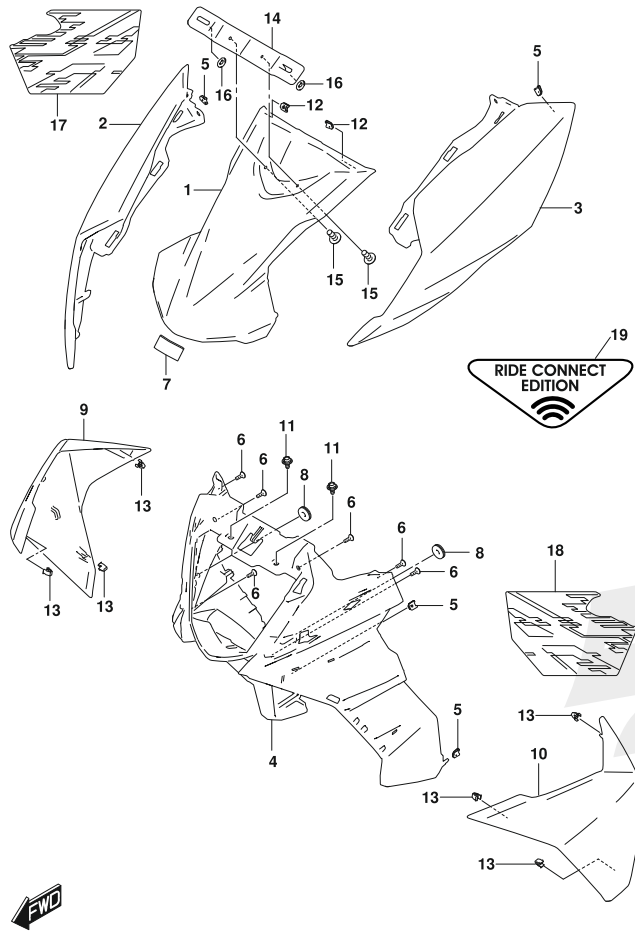


**FIG. 435A (D-6) FRONT LEG SHIELD (UN125NE)**

REF NO.	PART NO.	DESCRIPTION	QTY	REMARKS
1-1	48111-14L00-PGZ	SHIELD, LEG FRONT (GRAY)	1	BODY COLOR:A8D
1-2	48111-14L00-YVB	SHIELD, LEG FRONT (BLACK)	1	BODY COLOR:CC7,KGL
1-3	48111-14L00-YRD	SHIELD, LEG FRONT (GREEN)	1	BODY COLOR:CC8
2-1	48112-14L00-YPA	SHIELD, LEG FRONT, R (WHITE)	1	BODY COLOR:A8D
2-2	48112-14L00-QVN	SHIELD, LEG FRONT, R (ORANGE)	1	BODY COLOR:CC7
2-3	48112-14L00-PGZ	SHIELD, LEG FRONT, R (GRAY)	1	BODY COLOR:CC8
2-4	48112-14L00-YKV	SHIELD, LEG FRONT, R (BLACK)	1	BODY COLOR:KGL
3-1	48113-14L00-YPA	SHIELD, LEG FRONT, L (WHITE)	1	BODY COLOR:A8D
3-2	48113-14L00-QVN	SHIELD, LEG FRONT, L (ORANGE)	1	BODY COLOR:CC7
3-3	48113-14L00-PGZ	SHIELD, LEG FRONT, L (GRAY)	1	BODY COLOR:CC8
3-4	48113-14L00-YKV	SHIELD, LEG FRONT, L (BLACK)	1	BODY COLOR:KGL
4	48114-14L00-000	SHIELD, LEG FRONT LOWER	1	
5	09148-05060-000	NUT (M5)	4	
6	03541-0516A-000	SCREW	6	
7	35690-41K00-000	CUSHION, TURN SIGNAL	1	
8	47162-30H00-000	CUSHION (8X26X7)	2	
9-1	48132-14L00-YPA	SHIELD, LEG SIDE FR, R (WHITE)	1	BODY COLOR:A8D
9-2	48132-14L00-QVN	SHIELD, LEG SIDE FR, R (ORANGE)	1	BODY COLOR:CC7
9-3	48132-14L00-PGZ	SHIELD, LEG SIDE FR, R (GRAY)	1	BODY COLOR:CC8
9-4	48132-14L00-YKV	SHIELD, LEG SIDE FR, R (BLACK)	1	BODY COLOR:KGL
10-1	48133-14L00-YPA	SHIELD, LEG SIDE FR, L (WHITE)	1	BODY COLOR:A8D
10-2	48133-14L00-QVN	SHIELD, LEG SIDE FR, L (ORANGE)	1	BODY COLOR:CC7
10-3	48133-14L00-PGZ	SHIELD, LEG SIDE FR, L (GRAY)	1	BODY COLOR:CC8
10-4	48133-14L00-YKV	SHIELD, LEG SIDE FR, L (BLACK)	1	BODY COLOR:KGL
11	63115-08K10-000	BOLT (6X16)	2	
12	09148-05060-000	NUT (M5)	2	
13	09409-08L09-000	CLIP	6	
14	48191-02L00-000	PLATE, FRONT LICENSE	1	
15	03541-0616A-000	SCREW	2	
16	08322-0105A-000	WASHER	2	
17-1	68161-14L00-CDH	TAPE, LEG SIDE FRONT, R	1	BODY COLOR:A8D
17-2	68161-14L00-CDJ	TAPE, LEG SIDE FRONT, R	1	BODY COLOR:CC7
17-3	68161-14L00-CDK	TAPE, LEG SIDE FRONT, R	1	BODY COLOR:CC8
17-4	68161-14L00-KGL	TAPE, LEG SIDE FRONT, R (BLACK)	1	BODY COLOR:KGL

435A

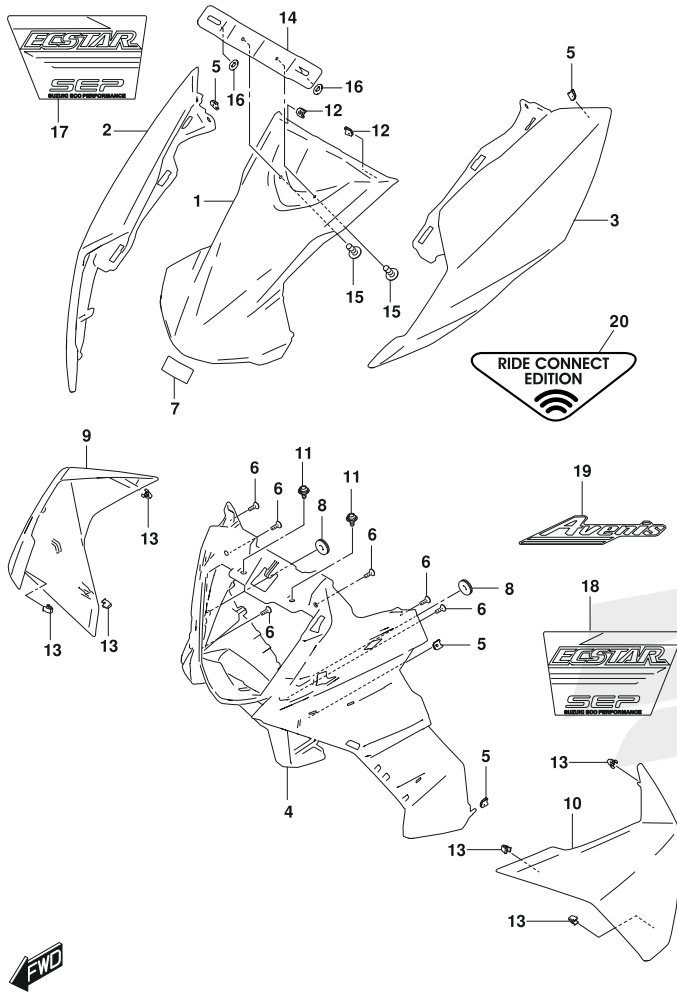
FIG. 435A (D-7) FRONT LEG SHIELD (UN125NE)



REF NO.	PART NO.	DESCRIPTION	QTY	REMARKS
18-1	68162-14L00-CDH	TAPE, LEG SIDE FR, L	1	BODY COLOR:A8D
18-2	68162-14L00-CDJ	TAPE, LEG SIDE FR, L	1	BODY COLOR:CC7
18-3	68162-14L00-CDK	TAPE, LEG SIDE FR, L	1	BODY COLOR:CC8
18-4	68162-14L00-KGL	TAPE, LEG SIDE FR, L (BLACK)	1	BODY COLOR:KGL
19	68135-02L00-000	EMBLEM (RIDE CONNECT)	2	

UN125NEM2\_P74\_435A  
FRONT LEG SHIELD (UN125NE)

# 435B

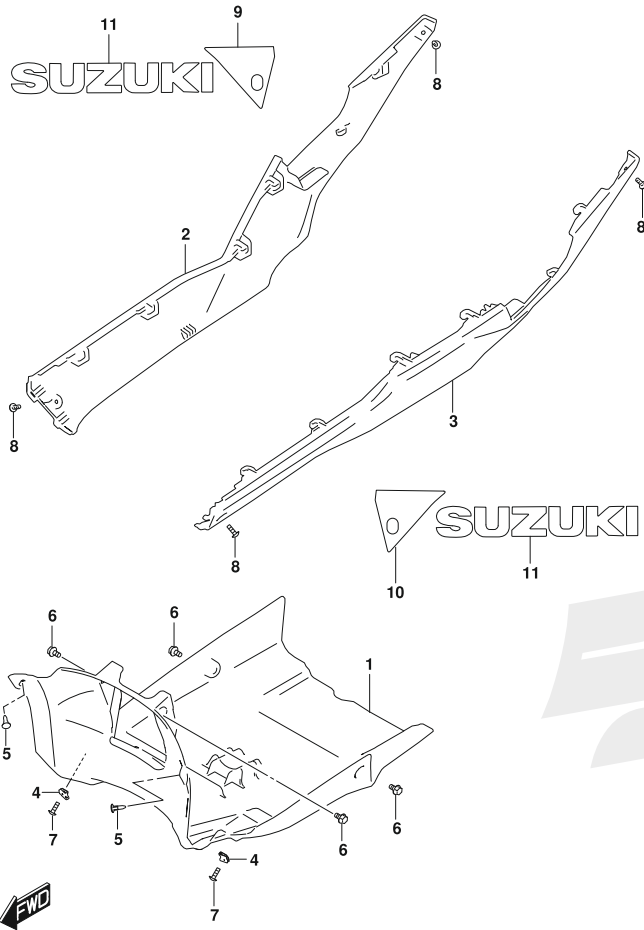


**FIG. 435B (D-8) FRONT LEG SHIELD (UN125NEZ)**

REF NO.	PART NO.	DESCRIPTION	QTY	REMARKS
1	48111-14L00-YVB	SHIELD, LEG FRONT (BLACK)	1	
2	48112-14L00-YSF	SHIELD, LEG FRONT, R (BLUE)	1	
3	48113-14L00-YSF	SHIELD, LEG FRONT, L (BLUE)	1	
4	48114-14L00-000	SHIELD, LEG FRONT LOWER	1	
5	09148-05060-000	NUT (M5)	4	
6	03541-0516A-000	SCREW	6	
7	35690-41K00-000	CUSHION, TURN SIGNAL	1	
8	47162-30H00-000	CUSHION (8X26X7)	2	
9	48132-14L00-YSF	SHIELD, LEG SIDE FR, R (BLUE)	1	
10	48133-14L00-YSF	SHIELD, LEG SIDE FR, L (BLUE)	1	
11	63115-08K10-000	BOLT (6X16)	2	
12	09148-05060-000	NUT (M5)	2	
13	09409-08L09-000	CLIP	6	
14	48191-02L00-000	PLATE, FRONT LICENSE	1	
15	03541-0616A-000	SCREW	2	
16	08322-0105A-000	WASHER	2	
17	68161-14L10-BR9	TAPE, LEG SIDE FRONT, R (WHITE, YELLOW, BLUE)	1	
18	68162-14L10-BR9	TAPE, LEG SIDE FRONT, L (WHITE, YELLOW, BLUE)	1	
19	68645-14L00-CDM	TAPE, LEG SHIELD	1	
20	68135-02L00-000	EMBLEM (RIDE CONNECT)	2	

438A

FIG. 438A (D-9) SIDE LEG SHIELD (UN125NE)

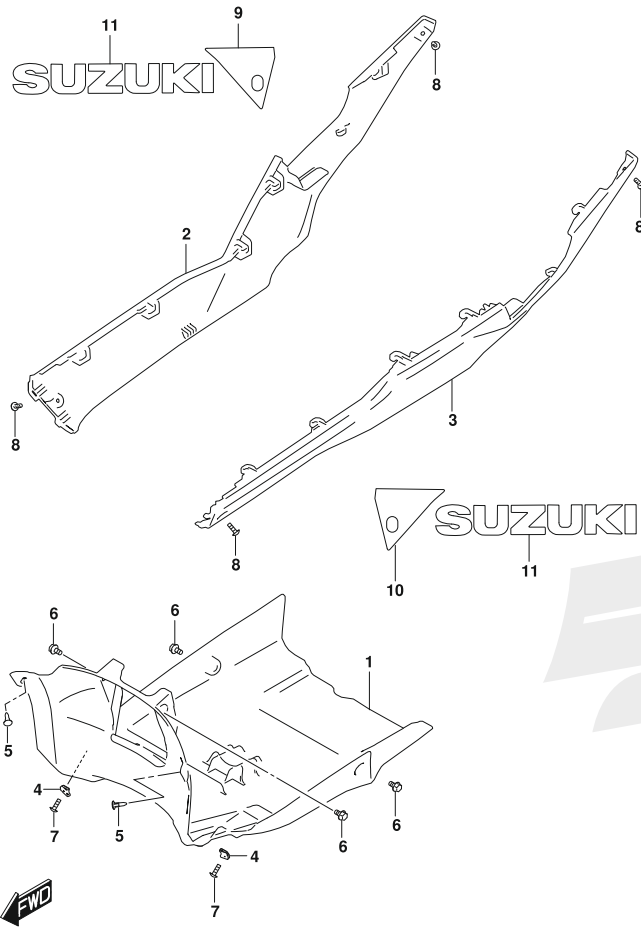


REF NO.	PART NO.	DESCRIPTION	QTY	REMARKS
1	48131-44K10-000	COVER, UNDER	1	
2-1	48134-14L00-YPA	SHIELD, LEG SIDE RR, R (WHITE)	1	BODY COLOR:A8D
2-2	48134-14L00-QVN	SHIELD, LEG SIDE RR, R (ORANGE)	1	BODY COLOR:CC7
2-3	48134-14L00-PGZ	SHIELD, LEG SIDE RR, R (GRAY)	1	BODY COLOR:CC8
2-4	48134-14L00-YKV	SHIELD, LEG SIDE RR, R (BLACK)	1	BODY COLOR:KGL
3-1	48135-14L00-YPA	SHIELD, LEG SIDE RR, L (WHITE)	1	BODY COLOR:A8D
3-2	48135-14L00-QVN	SHIELD, LEG SIDE RR, L (ORANGE)	1	BODY COLOR:CC7
3-3	48135-14L00-PGZ	SHIELD, LEG SIDE RR, L (GRAY)	1	BODY COLOR:CC8
3-4	48135-14L00-YKV	SHIELD, LEG SIDE RR, L (BLACK)	1	BODY COLOR:KGL
4	09148-05060-000	NUT (M5)	2	
5	09409-06L07-000	CLIP	2	
6	01550-0612A-000	BOLT	4	
7	03541-0516A-000	SCREW	2	
8	03541-0516B-000	SCREW	4	
9-1	68163-14L00-JDT	TAPE, LEG SIDE REAR, R (BLACK, WHITE)	1	BODY COLOR:A8D
9-2	68163-14L00-CDG	TAPE, LEG SIDE REAR, R	1	BODY COLOR:CC7
9-3	68163-14L00-AHW	TAPE, LEG SIDE REAR, R (GRAY, BLACK)	1	BODY COLOR:CC8
10-1	68164-14L00-JDT	TAPE, LEG SIDE REAR, L (BLACK, WHITE)	1	BODY COLOR:A8D
10-2	68164-14L00-CDG	TAPE, LEG SIDE REAR, L	1	BODY COLOR:CC7
10-3	68164-14L00-AHW	TAPE, LEG SIDE REAR, L (GRAY, BLACK)	1	BODY COLOR:CC8
11	68171-14L00-YVB	EMBLEM,"SUZUKI" (BLACK)	2	

UN125NEM2\_P74\_438A  
SIDE LEG SHIELD (UN125NE)

438B

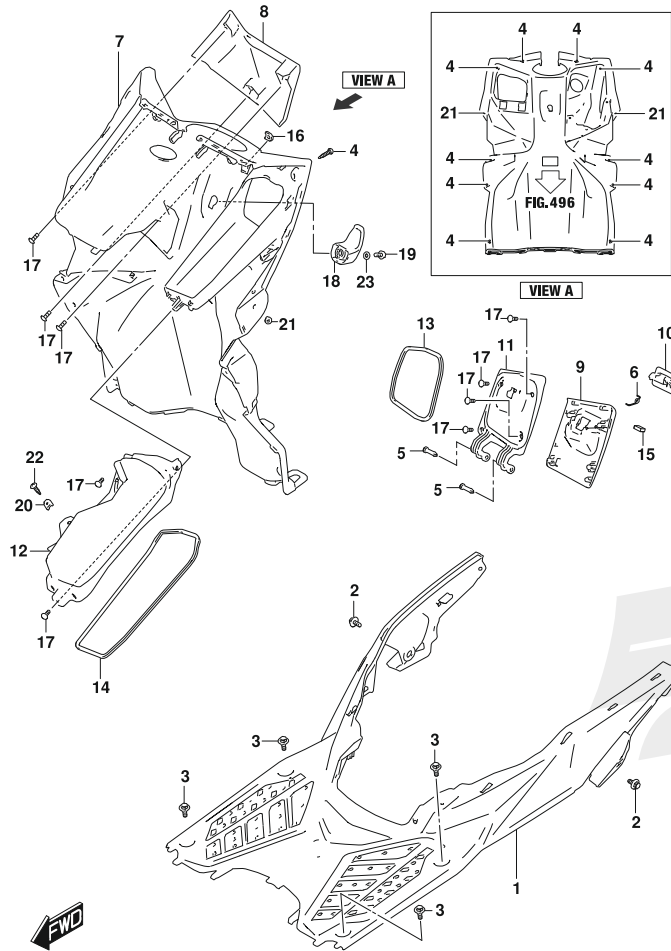
FIG. 438B (D-10) SIDE LEG SHIELD (UN125NEZ)



REF NO.	PART NO.	DESCRIPTION	QTY	REMARKS
1	48131-44K10-000	COVER, UNDER	1	
2	48134-14L00-YSF	SHIELD, LEG SIDE RR, R (BLUE)	1	
3	48135-14L00-YSF	SHIELD, LEG SIDE RR, L (BLUE)	1	
4	09148-05060-000	NUT (M5)	2	
5	09409-06L07-000	CLIP	2	
6	01550-0612A-000	BOLT	4	
7	03541-0516A-000	SCREW	2	
8	03541-0516B-000	SCREW	4	
9	68163-14L00-FNF	TAPE, LEG SIDE REAR, R (BLUE, BLACK)	1	
10	68164-14L00-FNF	TAPE, LEG SIDE REAR, L (BLUE, BLACK)	1	
11	68171-14L00-YWW	EMBLEM,"SUZUKI" (WHITE)	2	

440A

FIG. 440A (D-11) REAR LEG SHIELD



REF NO.	PART NO.	DESCRIPTION	QTY	REMARKS
1	48121-14L00-000	FOOTBOARD, LEG SHIELD	1	
2	63115-08K10-000	BOLT (6X16)	2	
3	09111-06072-000	BOLT (6X17.8)	4	
4	03541-0520B-000	SCREW	10	
5	73423-50G00-000	PIN, GLOVE BOX HINGE	2	
6	73423-62D00-000	SPRING, GLOVE BOX LID	1	
7	92111-14L00-000	COVER, LEG SHIELD	1	
8	92112-14L00-000	RACK, LEG SHIELD	1	
9	92151-14L00-000	LID, FRONT PANEL	1	
10	92152-44K00-000	LOCK, FRONT PANEL BOX	1	
11	92153-14L00-000	LID, FRONT PANEL INNER	1	
12	92154-14L00-000	BOX, FRONT PANEL	1	
13	92155-44K00-000	CUSHION, FRONT BOX NO.1	1	
14	92156-14L00-000	CUSHION, FRONT BOX NO.2	1	
15	92158-44K00-000	CUSHION, FRONT BOX NO.4	1	
16	09148-05060-000	NUT (M5)	1	
17	03541-0516A-000	SCREW	9	
18	92171-08K00-291	HOOK, LEG SHIELD (BLACK)	1	
19	92172-44K00-000	BOLT, LEG SHIELD HOOK	1	
20	09148-05060-000	NUT (M5)	1	
21	09409-06L07-000	CLIP	2	
22	03541-0516A-000	SCREW	1	
23	08322-0106A-000	WASHER	1	

4

UN125NEM2\_P74\_440A  
REAR LEG SHIELD

445A

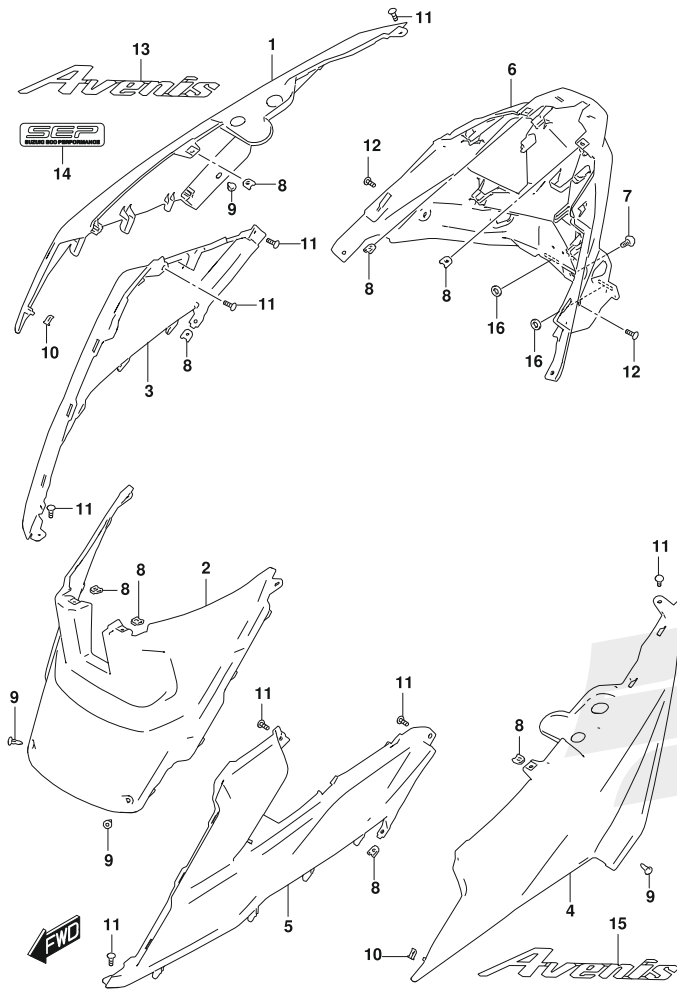
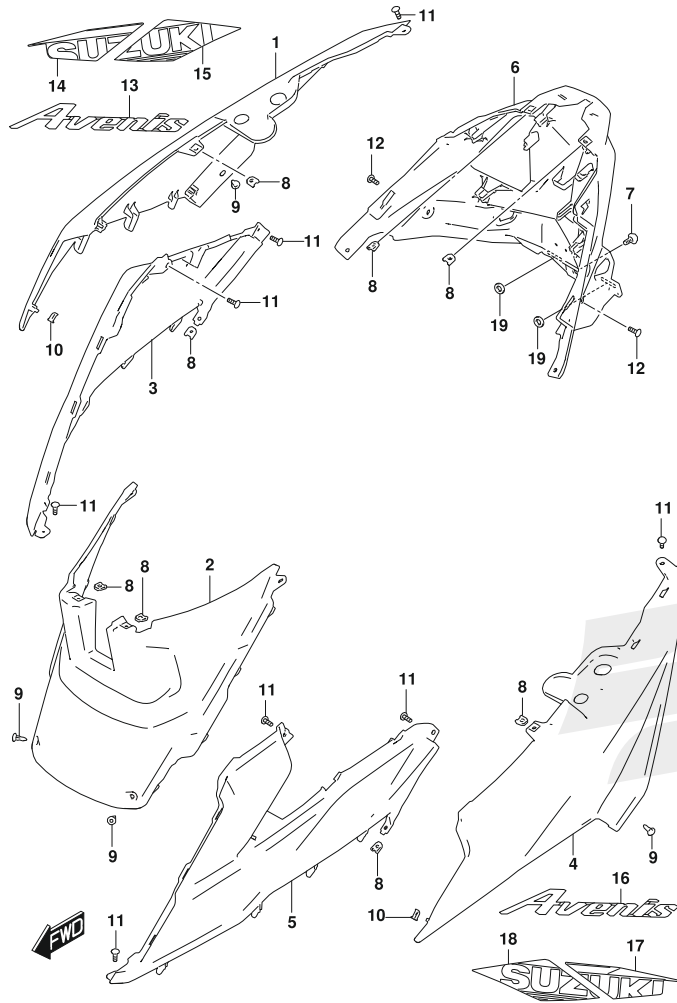


FIG. 445A (D-12) FRAME COVER (UN125NE)

REF NO.	PART NO.	DESCRIPTION	QTY	REMARKS
1-1	47111-14L00-YPA	COVER, FRAME, R (WHITE)	1	BODY COLOR:A8D
1-2	47111-14L00-QVN	COVER, FRAME, R (ORANGE)	1	BODY COLOR:CC7
1-3	47111-14L00-PGZ	COVER, FRAME, R (GRAY)	1	BODY COLOR:CC8
1-4	47111-14L00-YKV	COVER, FRAME, R (BLACK)	1	BODY COLOR:KGL
2	47121-14L00-000	COVER, FRAME FRONT	1	
3-1	47131-14L00-PGZ	COVER, FRAME LOWER, R (GRAY)	1	BODY COLOR:A8D
3-2	47131-14L00-YVB	COVER, FRAME LOWER, R (BLACK)	1	BODY COLOR:CC7,KGL
3-3	47131-14L00-YRD	COVER, FRAME LOWER, R (GREEN)	1	BODY COLOR:CC8
4-1	47211-14L00-YPA	COVER, FRAME, L (WHITE)	1	BODY COLOR:A8D
4-2	47211-14L00-QVN	COVER, FRAME, L (ORANGE)	1	BODY COLOR:CC7
4-3	47211-14L00-PGZ	COVER, FRAME, L (GRAY)	1	BODY COLOR:CC8
4-4	47211-14L00-YKV	COVER, FRAME, L (BLACK)	1	BODY COLOR:KGL
5-1	47231-14L00-PGZ	COVER, FRAME LOWER, L (GRAY)	1	BODY COLOR:A8D
5-2	47231-14L00-YVB	COVER, FRAME LOWER, L (BLACK)	1	BODY COLOR:CC7, KGL
5-3	47231-14L00-YRD	COVER, FRAME LOWER, L (GREEN)	1	BODY COLOR:CC8
6	47311-14L00-000	COVER, FRAME CENTER	1	
7	94413-30H00-000	BOLT, COWLING LWR (6X16.5)	1	
8	09148-05060-000	NUT (M5)	8	
9	09409-06L07-000	CLIP	4	
10	09409-08009-000	CLIP	2	
11	03541-0516A-000	SCREW	8	
12	03541-0516B-000	SCREW	2	
13	68131-14L00-YVB	EMBLEM, FRAME COVER, R (BLACK)	1	
14	68136-39J00-000	EMBLEM, FRAME COVER	1	
15	68141-14L00-YVB	EMBLEM, FRAME COVER, L (BLACK)	1	
16	08322-0105A-000	WASHER	2	

445B

FIG. 445B (D-13) FRAME COVER (UN125NEZ)



REF NO.	PART NO.	DESCRIPTION	QTY	REMARKS
1	47111-14L00-YSF	COVER, FRAME, R (BLUE)	1	
2	47121-14L00-000	COVER, FRAME FRONT	1	
3	47131-14L00-YVB	COVER, FRAME LOWER, R (BLACK)	1	
4	47211-14L00-YSF	COVER, FRAME, L (BLUE)	1	
5	47231-14L00-YVB	COVER, FRAME LOWER, L (BLACK)	1	
6	47311-14L00-000	COVER, FRAME CENTER	1	
7	94413-30H00-000	BOLT, COWLING LWR (6X16.5)	1	
8	09148-05060-000	NUT (M5)	8	
9	09409-06L07-000	CLIP	4	
10	09409-08009-000	CLIP	2	
11	03541-0516A-000	SCREW	8	
12	03541-0516B-000	SCREW	2	
13	68131-14L00-YVZ	EMBLEM, FRAME COVER, R (RED)	1	
14	68132-14L00-A3F	TAPE, FRAME COVER, R (WHITE, BLUE YELLOW)	1	
15	68135-14L00-A3F	TAPE, FRAME COVER LOWER, R (WHITE BLUE, YELLOW)	1	
16	68141-14L00-YVZ	EMBLEM, FRAME COVER, L (RED)	1	
17	68142-14L00-A3F	TAPE, FRAME COVER, L (WHITE, BLUE YELLOW)	1	
18	68145-14L00-A3F	TAPE, FRAME COVER LOWER, L (WHITE BLUE, YELLOW)	1	
19	08322-0105A-000	WASHER	2	

UN125NEM2\_P74\_445B  
FRAME COVER (UN125NEZ)

456A

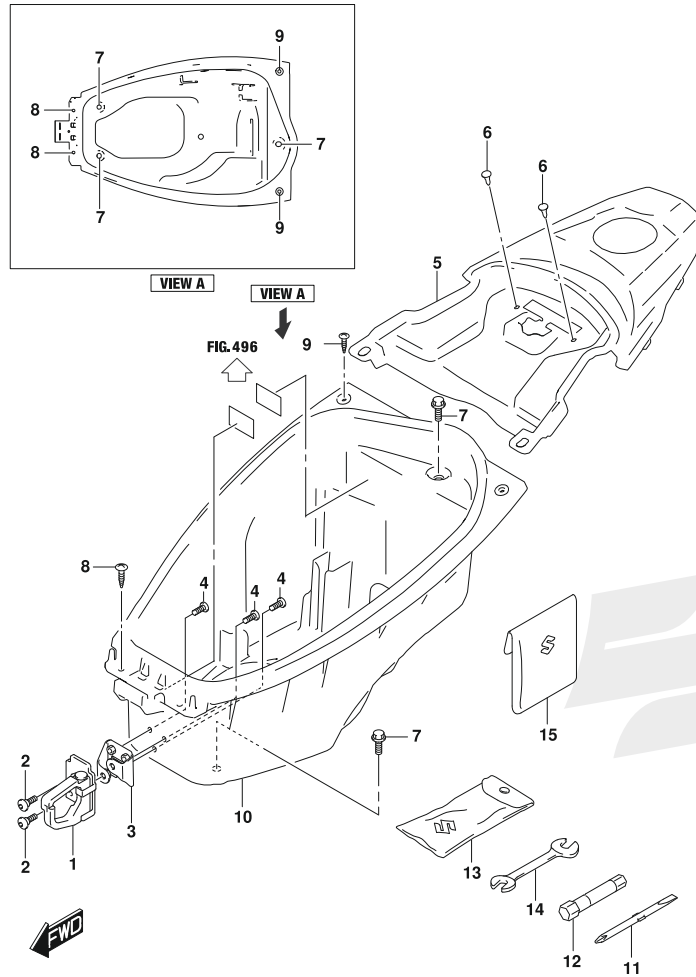


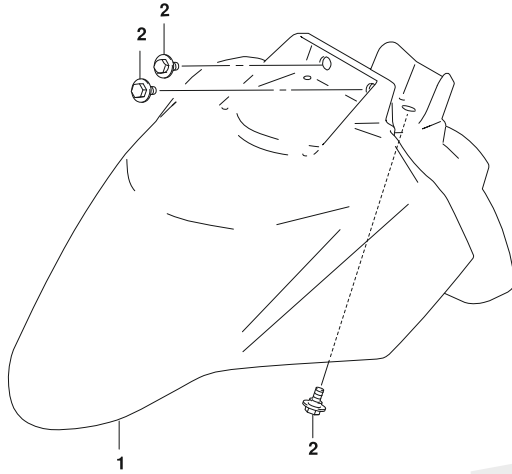
FIG. 456A (D-14) HELMET BOX

REF NO.	PART NO.	DESCRIPTION	QTY	REMARKS
1	92170-33G60-291	HOOK ASSY, FRAME COVER (BLACK)	1	
2	92178-33G50-000	SCREW, FRAME COVER HOOK	2	
3	92180-08K01-000	BRACKET, FRAME COVER HOOK	1	
4	02142-0512A-000	SCREW	3	
5	92212-14L00-000	COVER, FUEL TANK	1	
6	09409-06L07-000	CLIP	2	
7	01550-0612A-000	BOLT	3	
8	03541-0516A-000	SCREW	2	
9	03541-0520A-000	SCREW	2	
10	92211-44K10-000	BOX, HELMET	1	
11	96412-33G50-000	DRIVER,	1	
12	96414-33G70-000	SPANNER, BOX (16)	1	
13	96511-02L00-000	BAG, TOOL	1	
14	96513-23J40-000	SPANNER, OPEN (10X14)	1	
15	94990-28G12-000	SET, FIRST AID	1	

460A

FIG. 460A (D-15) FRONT FENDER (UN125NE)

REF NO.	PART NO.	DESCRIPTION	QTY	REMARKS
1-1	53111-14L00-YPA	FENDER, FRONT (WHITE)	1	BODY COLOR:A8D
1-2	53111-14L00-QVN	FENDER, FRONT (ORANGE)	1	BODY COLOR:CC7
1-3	53111-14L00-PGZ	FENDER, FRONT (GRAY)	1	BODY COLOR:CC8
1-4	53111-14L00-YKV	FENDER, FRONT (BLACK)	1	BODY COLOR:KGL
2	09111-06255-000	BOLT (6X13.5)	3	



4

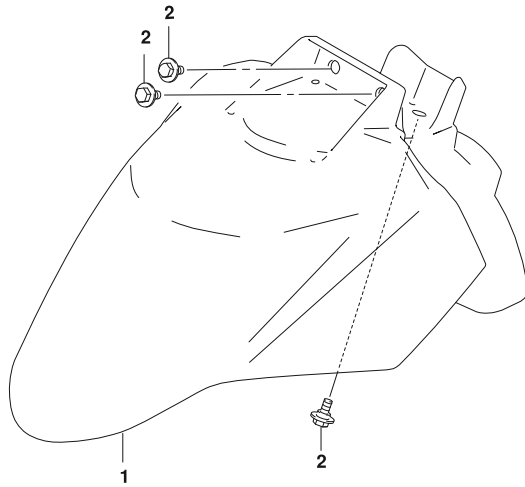


UN125NEM2\_P74\_460A  
FRONT FENDER (UN125NE)

460B

FIG. 460B (D-16) FRONT FENDER (UN125NEZ)

REF NO.	PART NO.	DESCRIPTION	QTY	REMARKS
1	53111-14L00-YSF	FENDER, FRONT (BLUE)	1	
2	09111-06255-000	BOLT (6X13.5)	3	

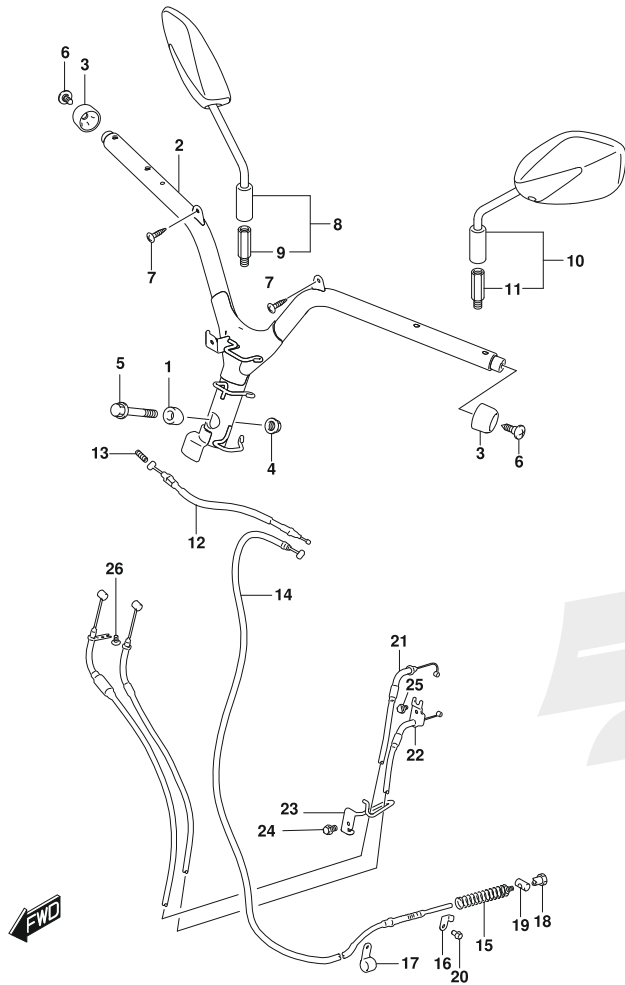


4

UN125NEM2\_P74\_460B  
FRONT FENDER (UN125NEZ)

# 462A

## FIG. 462A (E-2) HANDLEBAR



REF NO.	PART NO.	DESCRIPTION	QTY	REMARKS
1	51358-09G00-000	STOPPER, HANDLEBAR	1	
2	56110-14L00-000	HANDLEBAR	1	
3	57216-02L01-000	CAP, GRIP END	2	
4	64147-33G10-000	NUT, FRONT HUB	1	
5	09103-10126-000	BOLT (10X48)	1	
6	09139-06165-000	SCREW (6X16)	2	
7	03541-0516A-000	SCREW	2	
8	56500-34JA0-000	MIRROR ASSY, REAR VIEW, R	1	
9	56533-33G60-000	.ADAPTER, RR VIEW MIRROR	1	
10	56600-34JA0-000	MIRROR ASSY, REAR VIEW, L	1	
11	56533-33G60-000	.ADAPTER, RR VIEW MIRROR	1	
12	58110-14L00-000	CABLE, FRONT BRAKE	1	
13	58162-14L00-000	SPRING, FRONT BRAKE CABLE	1	
14	58510-44K20-000	CABLE, REAR BRAKE	1	
15	58562-08K00-000	SPRING, REAR BRAKE CABLE	1	
16	58575-39J00-000	PLATE, REAR BRAKE CABLE	1	
17	58577-39J10-000	CLAMP, RR BK CABLE CRKC FR	1	
18	09150-06010-000	NUT	1	
19	09209-11002-000	PIN (11X18)	1	
20	01547-0610A-000	BOLT	1	
21	58300-44K30-000	CABLE ASSY, THROTTLE NO.1	1	
22	58300-44K40-000	CABLE ASSY, THROTTLE NO.2	1	
23	58620-02L10-000	GUIDE, CABLE	1	
24	01547-0610A-000	BOLT	1	
25	01550-0510A-000	BOLT	1	
26	02142-0510B-000	SCREW	1	

4

463A

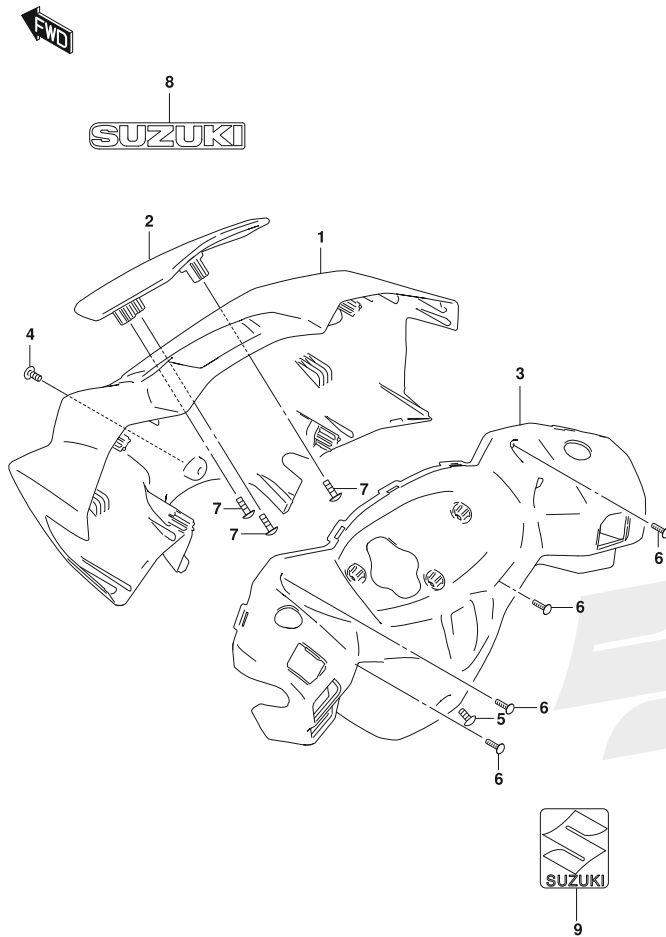
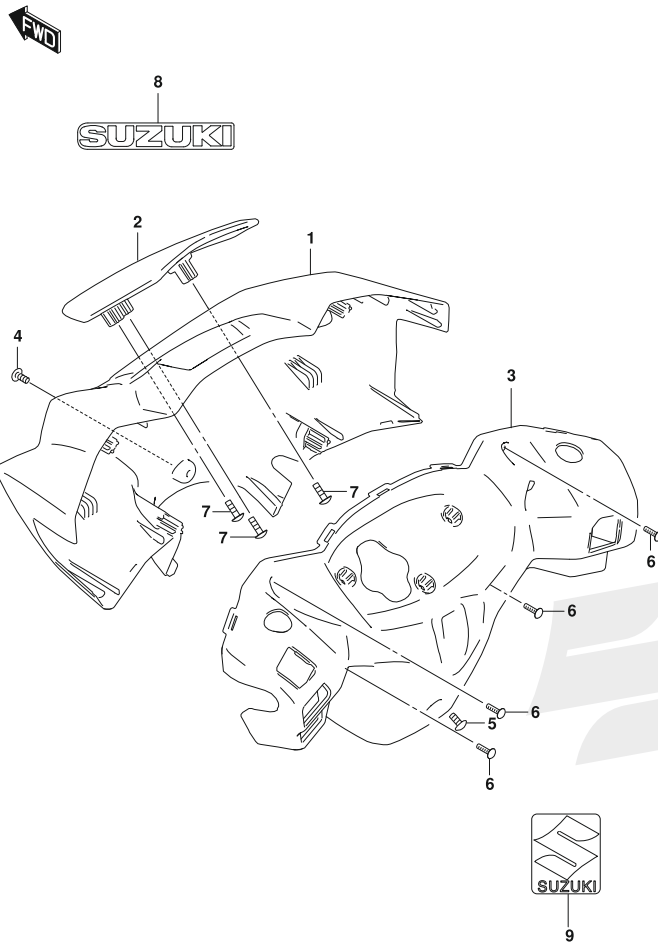


FIG. 463A (E-3) HANDLE COVER (UN125NE)

REF NO.	PART NO.	DESCRIPTION	QTY	REMARKS
1-1	56311-14L00-YPA	COVER, HANDLE FRONT (WHITE)	1	BODY COLOR:A8D
1-2	56311-14L00-QVN	COVER, HANDLE FRONT (ORANGE)	1	BODY COLOR:CC7
1-3	56311-14L00-PGZ	COVER, HANDLE FRONT (GRAY)	1	BODY COLOR:CC8
1-4	56311-14L00-YKV	COVER, HANDLE FRONT (BLACK)	1	BODY COLOR:KGL
2	56312-14L00-YVB	COVER, HANDLE UPPER (BLACK)	1	
3	56321-14L00-000	COVER, HANDLE REAR	1	
4	02142-0512A-000	SCREW	1	
5	02142-0512B-000	SCREW	1	
6	03541-0416B-000	SCREW	4	
7	03541-0516A-000	SCREW	3	
8	68171-34J10-YMD	EMBLEM, SUZUKI (SILVER)	1	
9	68281-44K00-000	EMBLEM, S	1	

463B

FIG. 463B (E-4) HANDLE COVER (UN125NEZ)



REF NO.	PART NO.	DESCRIPTION	QTY	REMARKS
1	56311-14L00-YSF	COVER, HANDLE FRONT (BLUE)	1	
2	56312-14L00-YVB	COVER, HANDLE UPPER (BLACK)	1	
3	56321-14L00-000	COVER, HANDLE REAR	1	
4	02142-0512A-000	SCREW	1	
5	02142-0512B-000	SCREW	1	
6	03541-0416B-000	SCREW	4	
7	03541-0516A-000	SCREW	3	
8	68171-34J10-YMD	EMBLEM, SUZUKI (SILVER)	1	
9	68281-44K00-000	EMBLEM, S	1	

UN125NEM2\_P74\_463B  
HANDLE COVER (UN125NEZ)

467A

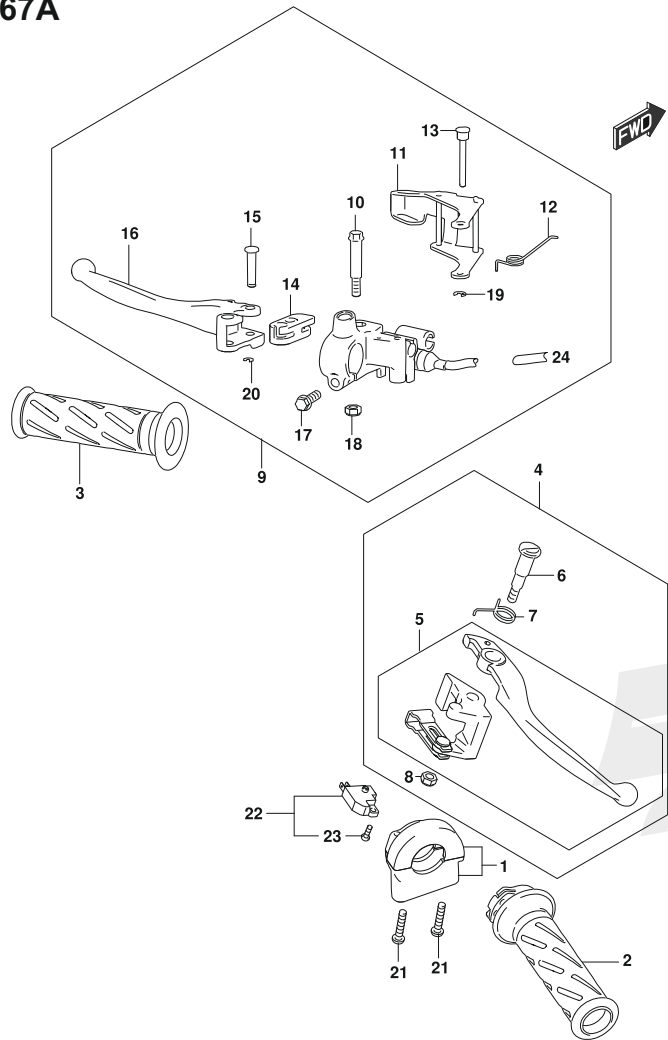


FIG. 467A (E-5) HANDLE LEVER

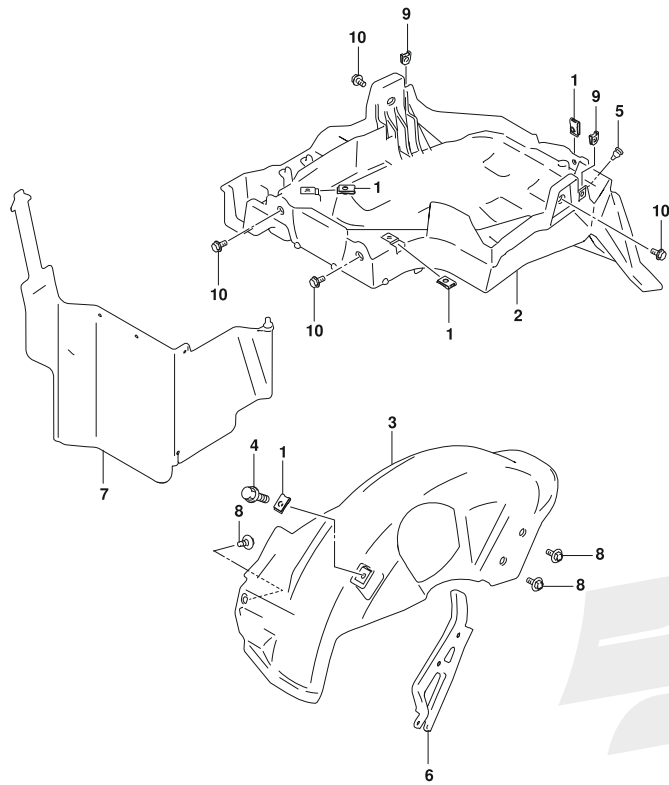
REF NO.	PART NO.	DESCRIPTION	QTY	REMARKS
1	57100-02L00-000	CASE ASSY, THROTTLE	1	
2	57110-30H10-000	GRIP, THROTTLE	1	
3	57211-22D11-000	GRIP, LH	1	
4	57300-14L00-000	LEVER ASSY, FR BRAKE	1	
5	57420-14L00-000	.LEVER, BRAKE	1	
6	57431-14L00-000	.BOLT, BRAKE LEVER PIVOT	1	
7	57523-14L00-000	.SPRING, RETURN	1	
8	08319-2106A-000	.NUT	1	
9	57500-14L00-000	LEVER ASSY, RR BRAKE	1	
10	57431-14L10-000	.BOLT, BRAKE LEVER PIVOT	1	
11	57520-14L00-000	.LEVER, BRAKE LEVER STOPPER	1	
12	57523-14L00-000	.SPRING, BRAKE LEVER STOPPER	1	
13	57524-08K00-000	.PIN, BRAKE LEVER STOPPER	1	
14	57525-14L00-000	.EQUALIZER, BRAKE CABLE	1	
15	57526-14L00-000	.PIN, EQUALIZER	1	
16	57621-14L00-000	.LEVER, BRAKE, L	1	
17	01547-0620A-000	.BOLT	1	
18	08319-2106A-000	.NUT	1	
19	08332-1103A-000	.E RING	1	
20	08332-1104A-000	.E RING	1	
21	02112-0525A-000	SCREW	2	
22	57460-14J10-000	SWITCH ASSY, FRONT BRAKE	1	
23	57465-17C00-000	.SCREW, WITH WASHER (4X12)	1	
24	37760-14L00-000	SWITCH ASSY, BRAKE	1	

4

UN125NEM2\_P74\_467A  
HANDLE LEVER

474A

FIG. 474A (E-6) REAR FENDER



REF NO.	PART NO.	DESCRIPTION	QTY	REMARKS
1	35157-34J00-000	NUT (M6)	4	
2	63111-14L00-000	FENDER, REAR UPPER	1	
3	63112-44K00-000	FENDER, REAR LOWER	1	
4	63115-08K00-000	BOLT, REAR FENDER LOWER	1	
5	63118-41K00-000	PLUG, REAR FENDER	1	
6	63210-44K00-000	BRACE, REAR FENDER LOWER	1	
7	63411-14L00-000	MUDGUARD, REAR FENDER	1	
8	09111-06102-000	BOLT (6X14.8)	3	
9	09148-05060-000	NUT (M5)	2	
10	01550-0612A-000	BOLT	4	

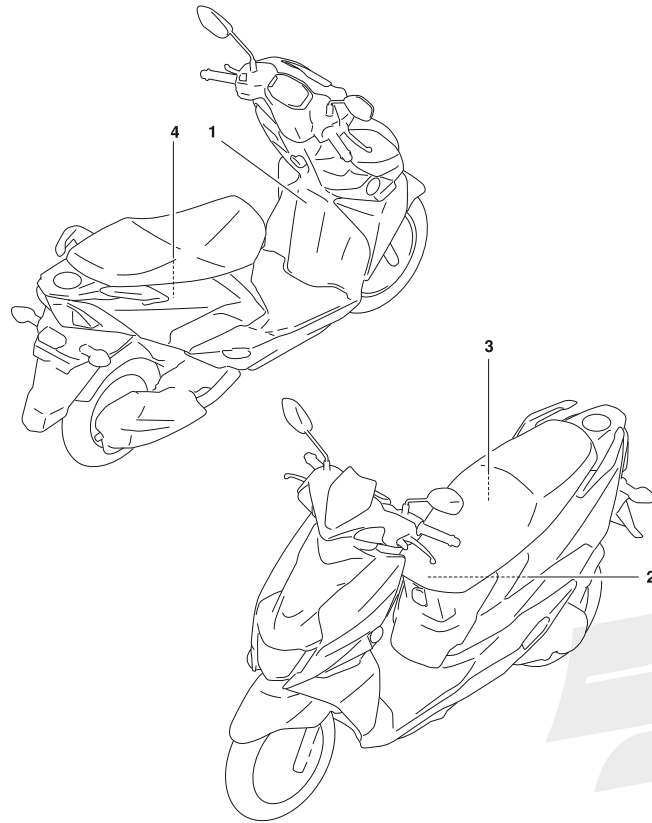
4



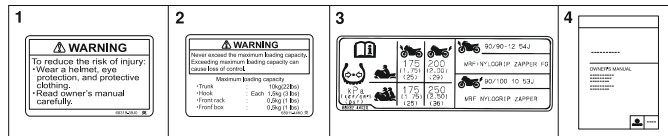
UN125NEM2\_P74\_474A  
REAR FENDER

496A

FIG. 496A (E-7) LABEL

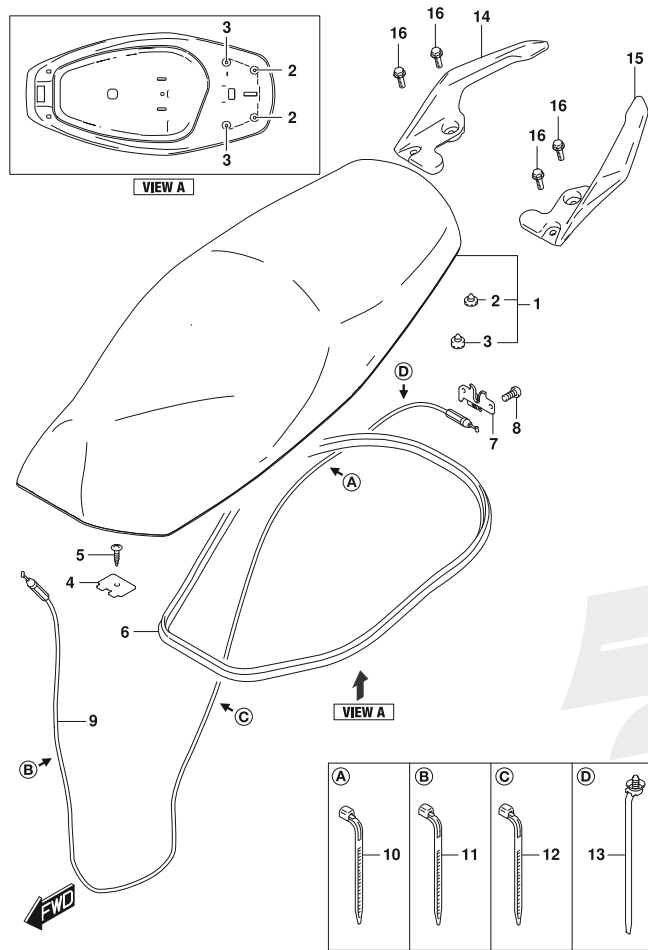


REF NO.	PART NO.	DESCRIPTION	QTY	REMARKS
1	68319-39J00-000	LABEL, GENERAL WARNING	1	
2	68911-44K00-000	LABEL, LOADING CAPACITY	1	
3	68332-44K20-000	LABEL, TIRE INFORMATION	1	
4	99011-14L00-74A	MANUAL, OWNER'S	1	



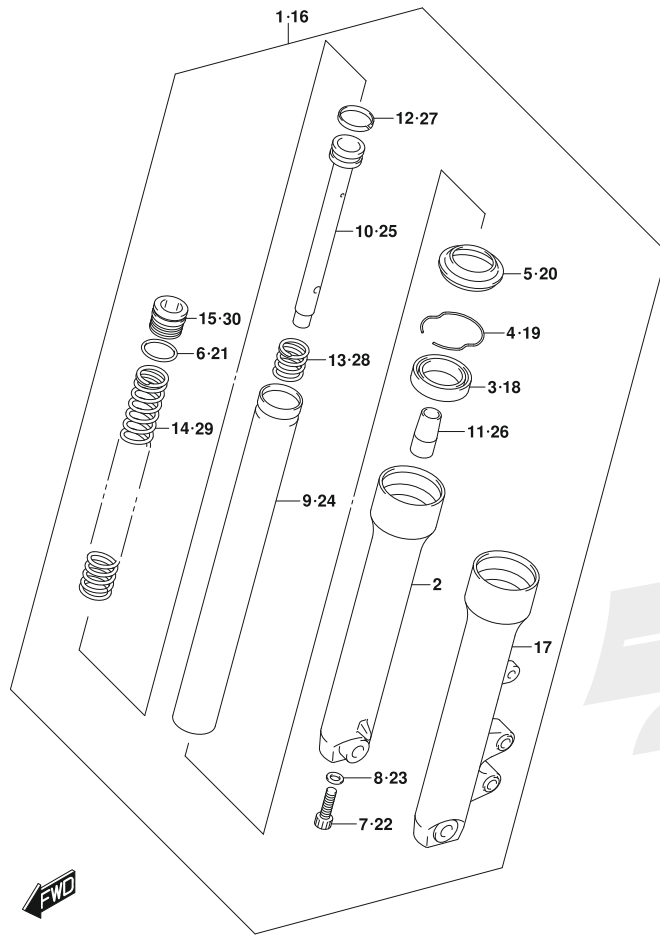
# 505A

## FIG. 505A (E-8) SEAT



REF NO.	PART NO.	DESCRIPTION	QTY	REMARKS
1	45100-14L00-CC9	SEAT ASSY	1	
2	45148-20GB0-000	.CUSHION, SEAT MOUNT	2	
3	45148-20GJ0-000	.CUSHION, SEAT MOUNT	2	
4	45271-32G10-000	PLATE, SEAT HINGE	1	
5	03541-0516A-000	SCREW	1	
6	45211-44K00-000	MOLDING, SEAT	1	
7	45700-33G40-000	BRACKET, STRIKER SUPPORT	1	
8	02112-0612A-000	SCREW	2	
9	45280-14L00-000	CABLE, SEAT LOCK	1	
10	36990-70F20-000	CLAMP, COMB SW WIRE (L:165)	2	
11	09407-14L01-000	CLAMP, WIRING HARNESS (L:125)	1	
12	09407-19L01-000	CLAMP, THROTTLE CABLE (L:190)	1	
13	09407-15409-000	CLAMP, SEAT LOCK CABLE	1	
14-1	46211-14L00-YPA	HANDLE, PILLION RIDER, R (WHITE)	1	
14-2	46211-14L00-YSF	HANDLE, PILLION RIDER, R (BLUE)	1	
14-3	46211-14L00-QVN	HANDLE, PILLION RIDER, R (ORANGE)	1	
14-4	46211-14L00-PGZ	HANDLE, PILLION RIDER, R (GRAY)	1	
14-5	46211-14L00-YKV	HANDLE, PILLION RIDER, R (BLACK)	1	
15-1	46231-14L00-YPA	HANDLE, PILLION RIDER, L (WHITE)	1	
15-2	46231-14L00-YSF	HANDLE, PILLION RIDER, L (BLUE)	1	
15-3	46231-14L00-QVN	HANDLE, PILLION RIDER, L (ORANGE)	1	
15-4	46231-14L00-PGZ	HANDLE, PILLION RIDER, L (GRAY)	1	
15-5	46231-14L00-YKV	HANDLE, PILLION RIDER, L (BLACK)	1	
16	01550-0825A-000	BOLT	4	

# 521A

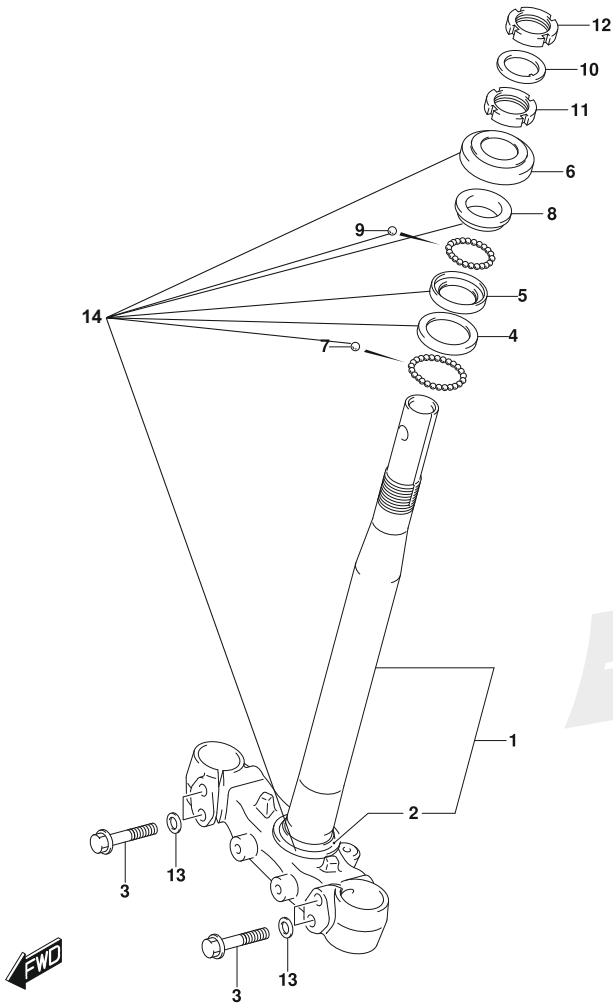


## FIG. 521A (E-9) FRONT FORK DAMPER

REF NO.	PART NO.	DESCRIPTION	QTY	REMARKS
1	51103-44K00-291	DAMPER ASSY, FR FORK, R (BLACK)	1	
2	51131-44K00-291	.TUBE, OUTER, R (BLACK)	1	
3	51153-33G10-000	.SEAL, OIL	1	
4	51156-33G10-000	.RING, SNAP	1	
5	51173-33G10-000	.SEAL, DUST	1	
6	51117-33G10-000	.O RING	1	
7	51147-33G10-000	.BOLT	1	
8	51148-33G10-000	.GASKET	1	
9	51110-08K10-000	.TUBE, INNER	1	
10	51146-44K00-000	.CYLINDER, FRONT FORK	1	
11	51195-33G50-000	.OIL LOCK PIECE	1	
12	51196-33G10-000	.RING, PISTON	1	
13	51177-33G10-000	.SPRING, REBOUND	1	
14	51171-44K00-000	.SPRING, FRONT FORK	1	
15	51351-33G10-000	.BOLT	1	
16	51104-44K00-291	DAMPER ASSY, FR FORK, L (BLACK)	1	
17	51141-44K00-291	.TUBE, OUTER, L (BLACK)	1	
18	51153-33G10-000	.SEAL, OIL	1	
19	51156-33G10-000	.RING, SNAP	1	
20	51173-33G10-000	.SEAL, DUST	1	
21	51117-33G10-000	.O RING	1	
22	51147-33G10-000	.BOLT	1	
23	51148-33G10-000	.GASKET	1	
24	51110-08K10-000	.TUBE, INNER	1	
25	51146-44K00-000	.CYLINDER, FRONT FORK	1	
26	51195-33G50-000	.OIL LOCK PIECE	1	
27	51196-33G10-000	.RING, PISTON	1	
28	51177-33G10-000	.SPRING, REBOUND	1	
29	51171-44K00-000	.SPRING, FRONT FORK	1	
30	51351-33G10-000	.BOLT	1	

524A

FIG. 524A (E-10) STEERING STEM



REF NO.	PART NO.	DESCRIPTION	QTY	REMARKS
1	51410-08K10-000	BRACKET, FRONT FORK LOWR	1	
2	51622-41H00-000	.RACE	1	
3	51434-08K10-000	BOLT, FR FORK INNER TUBE CLAMP	4	
4	51612-41H01-000	RACE, STEERING INNER LOWER	1	
5	51611-41H01-000	RACE, STEERING INNER UPPER	1	
6	51643-06001-000	DUST SEAL, UPPER	1	
7	06111-06004-000	BALL	23	
8	51621-41H00-000	RACE, STEERING OUTER UPPER	1	
9	06111-06004-000	BALL	28	
10	09166-24001-000	WASHER (24.5X34X2.3)	1	
11	51631-05000-000	NUT, STEERING STEM	1	
12	51631-05000-000	NUT, STEERING STEM	1	
13	51435-33G10-000	WASHER	4	
14	51600-28810-000	RACER STEERING KIT	1	

4

530A

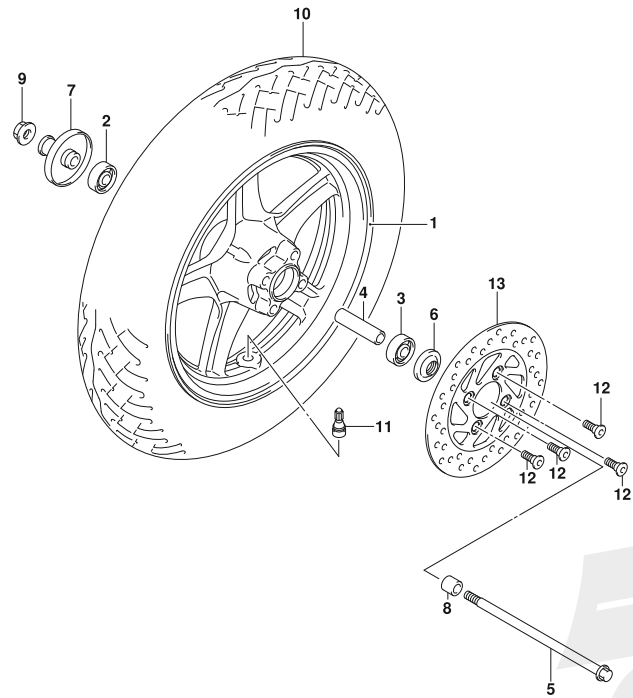
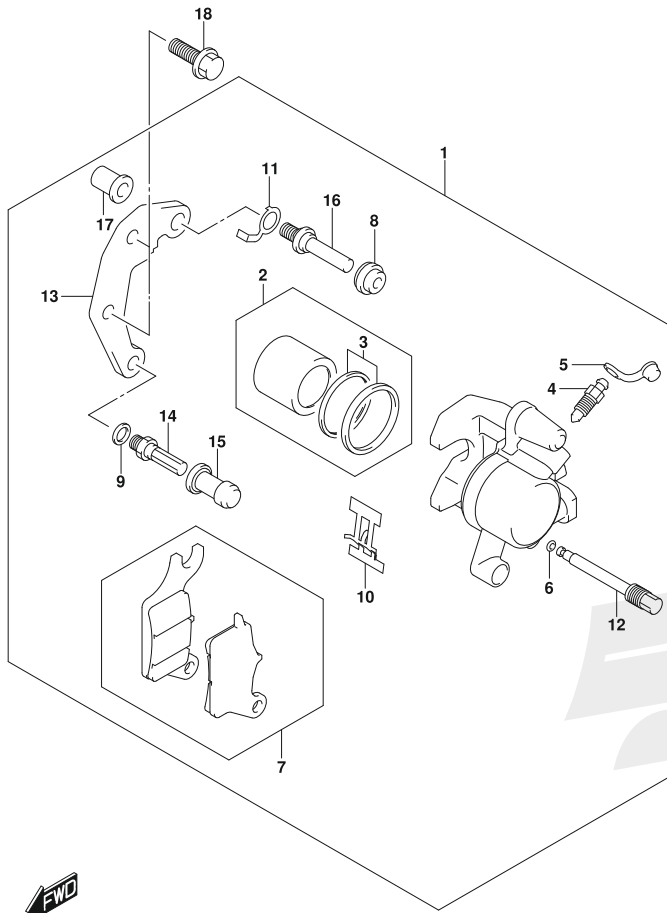


FIG. 530A (E-11) FRONT WHEEL

REF NO.	PART NO.	DESCRIPTION	QTY	REMARKS
1	54111-08K70-019	WHEEL, FRONT (BLACK)	1	
2	08133-6300B-000	BEARING, FRONT HUB	1	
3	08133-6300B-000	BEARING, FRONT HUB	1	
4	54731-02L00-000	SPACER, FR HUB BEARING	1	
5	54711-11F00-000	AXLE, FRONT	1	
6	54841-23J00-000	SEAL, FRONT HUB DUST (17X38X5)	2	
7	54741-02L00-000	SPACER, FR AXLE R	1	
8	54751-02L00-000	SPACER, FR AXLE L	1	
9	64147-33G10-000	NUT, FRONT HUB	1	
10	55110-08K01-000	TIRE	1	(Non-Serviceable)
11	43130-24A70-000	VALVE ASSY, WHEEL RIM (TR412)	1	
12	59218-34J30-000	BOLT, FRONT BRAKE DISC	4	
13	59221-08K00-000	DISC, FRONT BRAKE, L	1	

535A

FIG. 535A (E-12) FRONT CALIPER



REF NO.	PART NO.	DESCRIPTION	QTY	REMARKS
1	59300-08K50-000	CALIPER ASSY, FRONT	1	
2	59300-08860-000	.PISTON SET	1	
3	59100-38860-000	..SEAL SET, PISTON	1	
4	59121-01A00-000	.BLEEDER	1	
5	59122-01A00-000	.CAP, BLEEDER	1	
6	59145-37F00-000	.RING, STOPPER	1	
7	59300-08850-000	.PAD SET	1	
8	59303-14500-000	.BOOT	1	
9	59314-13A00-000	.WASHER	1	
10	59315-08K00-000	.SPRING, PAD	1	
11	59333-08K00-000	.RETAINER BRACKET	1	
12	59345-08K00-000	.PIN HANGER	1	
13	59351-08K00-000	.BRACKET FR	1	
14	59382-13A00-000	.BOLT	1	
15	59386-13A00-000	.BOOT	1	
16	59387-41HA0-000	.PIN, BOLT	1	
17	59388-41HA0-000	.NUT	1	
18	01550-0825A-000	BOLT	2	

4



UN125NEM2\_P74\_535A  
FRONT CALIPER

537A

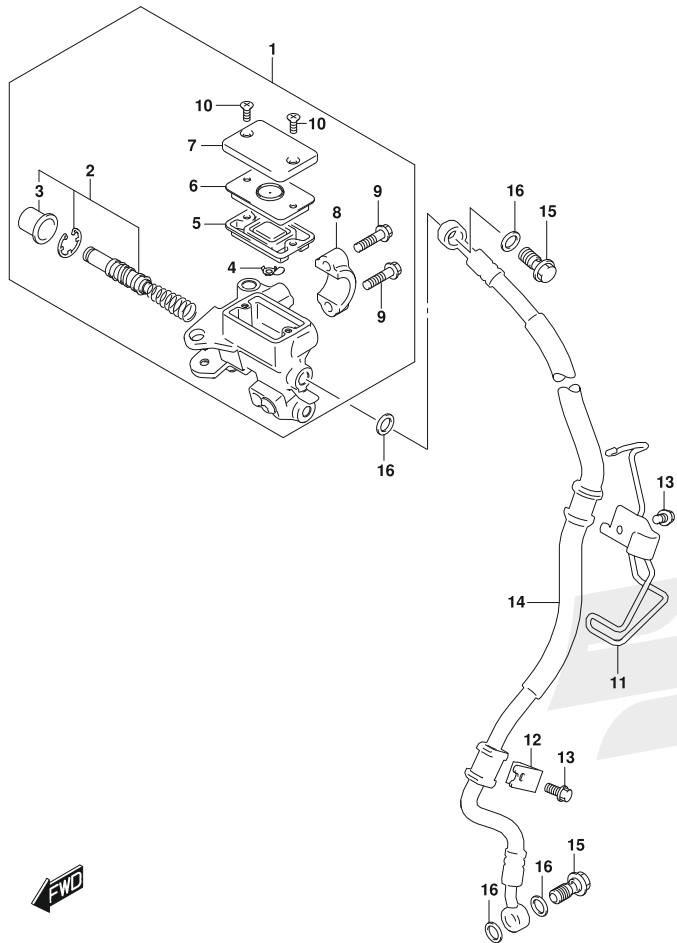


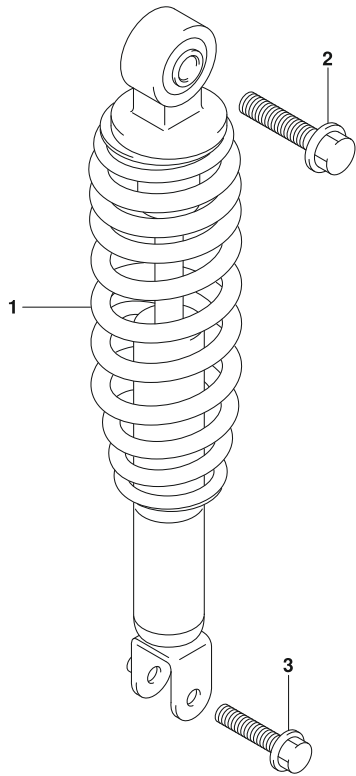
FIG. 537A (E-13) FRONT MASTER CYLINDER

REF NO.	PART NO.	DESCRIPTION	QTY	REMARKS
1	59600-14L00-000	CYLINDER ASSY, FRONT MASTER	1	
2	59600-46810-000	.PISTON & CUP SET	1	
3	59666-44300-000	.BOOT	1	
4	59664-32F00-000	.PROTECTOR	1	
5	59667-04700-000	.DIAPHRAGM	1	
6	59668-14F00-000	.PLATE, DIAPHRAGM	1	
7	59669-21D20-000	.CAP	1	
8	59671-36500-000	.HOLDER, MASTER CYLINDER	1	
9	59675-06F10-000	.BOLT (6X22)	2	
10	69689-49300-000	.SCREW, RESERVOIR CAP	2	
11	59260-14L00-000	CLAMP, FR BRAKE HOSE	1	
12	59267-08K00-000	CLAMP, BRAKE HOSE	1	
13	01547-0612A-000	BOLT	2	
14	59480-14L00-000	HOSE, FRONT BRAKE	1	
15	59492-30H30-000	BOLT, BRAKE FLUID	2	
16	09168-10033-000	WASHER (10.2X15X1.4)	4	

545A

FIG. 545A (E-14) REAR SHOCK ABSORBER

REF NO.	PART NO.	DESCRIPTION	QTY	REMARKS
1	62100-08K10-000	ABSORBER ASSY, REAR SHOCK	1	
2	01550-1040A-000	BOLT	1	
3	01550-0835A-000	BOLT (8X35)	1	



4



UN125NEM2\_P74\_545A  
REAR SHOCK ABSORBER

550A

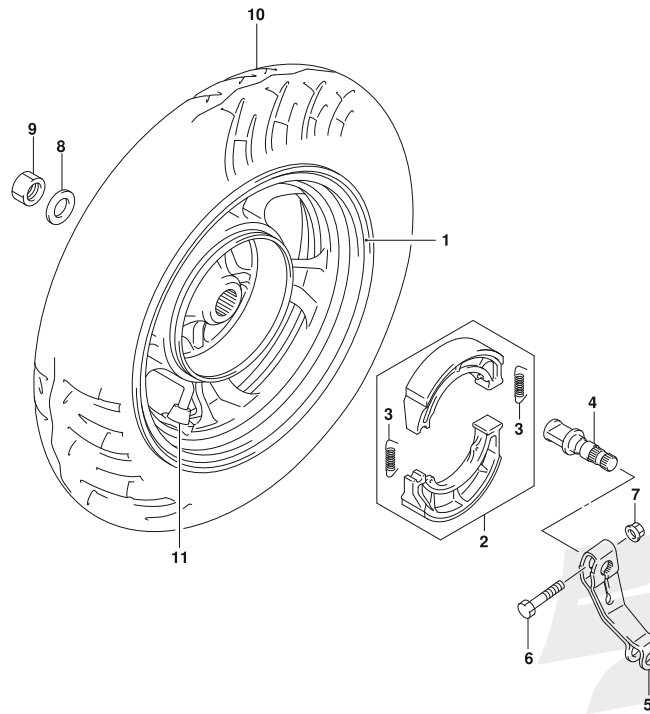
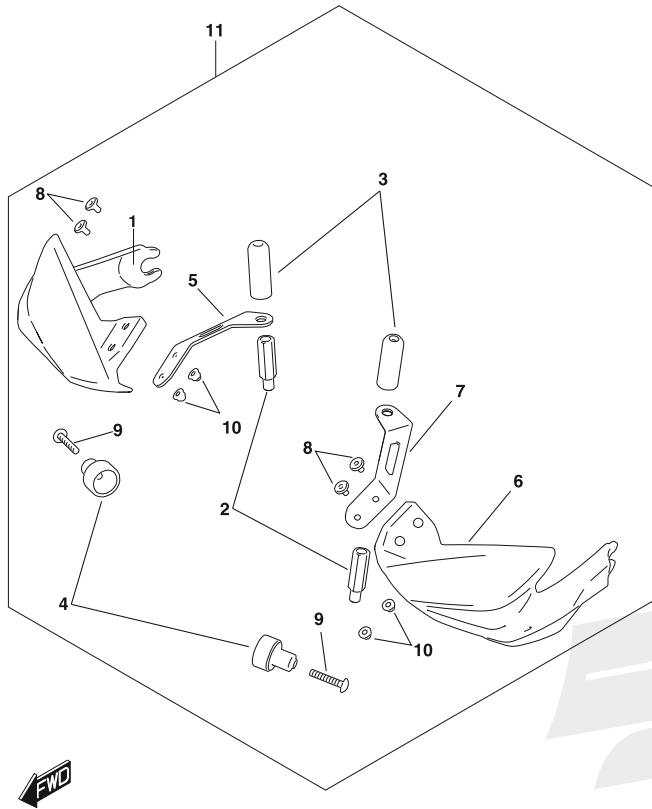


FIG. 550A (E-15) REAR WHEEL

REF NO.	PART NO.	DESCRIPTION	QTY	REMARKS
1	64150-08K10-019	WHEEL, REAR (10X2.15,BLACK)	1	BLACK
2	64400-08K10-000	SHOE SET, REAR BRAKE	1	
3	54424-28G00-000	.SPRING	2	
4	64441-09J20-000	CAM, REAR BRAKE	1	
5	64451-09J80-000	LEVER, REAR BRAKE CAM	1	
6	09100-06139-000	BOLT (6X31)	1	
7	08316-1006A-000	NUT (6X12)	1	
8	64723-39J00-000	WASHER, REAR AXLE	1	
9	08319-2116A-000	NUT	1	
10	55110-25J01-000	TIRE	1	(Non-Serviceable)
11	43130-41D90-000	VALVE ASSY, WHEEL RIM (PVR70)	1	

970A

FIG. 970A (E-16) OPTIONAL (KNUCKLE, COVER SET)

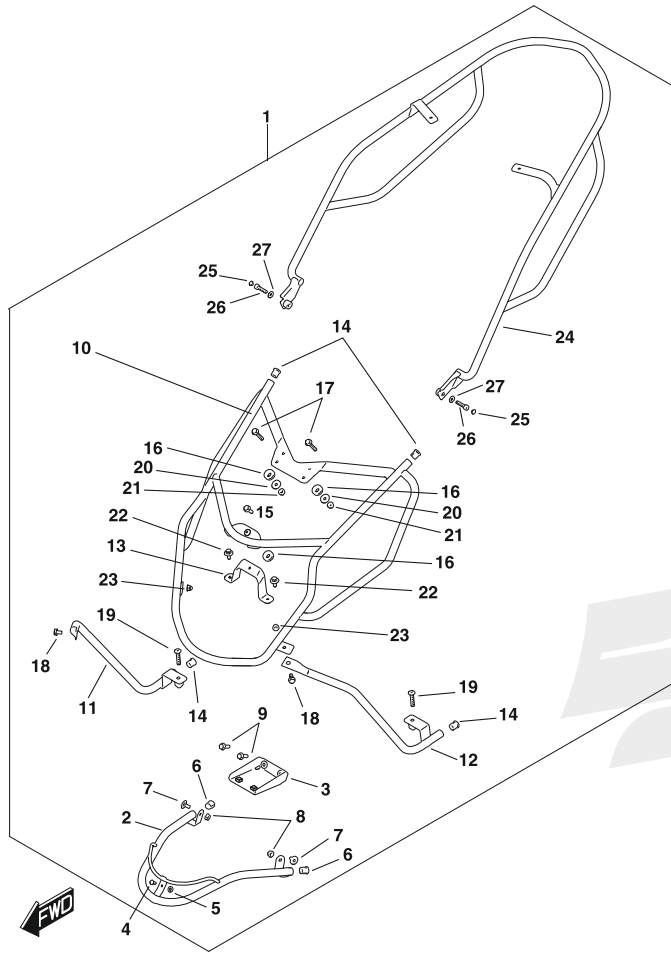


REF NO.	PART NO.	DESCRIPTION	QTY	REMARKS
1	57341-14L00-000	COVER, KNUCKLE, R	1	
2	57344-14L00-000	BOLT, ADAPTER UNDER	2	
3	57345-14L00-000	BOOT, MIRROR UPPER	2	
4	57346-14L00-000	SPACER, KNUCKLE COVER	2	
5	57472-14L00-000	BRACKET, KNUCKLE COVER, R	1	
6	57541-14L00-000	COVER, KNUCKLE, L	1	
7	57672-14L00-000	BRACKET, KNUCKLE COVER, L	1	
8	09139-05098-000	BOLT	4	
9	02142-0635B-000	SCREW	2	
10	08313-2005B-000	NUT	4	
11	57300-14810-000	COVER SET, KNUCKLE	1	

4

UN125NEM2\_P74\_970A  
(KNUCKLE, COVER SET)

# 970B



**FIG. 970B (F-2) OPTIONAL (ACCESSORY BAR SET)**

REF NO.	PART NO.	DESCRIPTION	QTY	REMARKS
1	94200-14810-000	BAR SET, ACCESSORY	1	
2	94210-14L00-000	BAR FR, ACCESSORY	1	
3	53120-14L00-000	BRACE, FR FENDER	1	
4	09229-04018-000	RIVET	1	
5	08322-0105A-000	WASHER	1	
6	94221-44K00-000	CAP	2	
7	09139-06219-000	BOLT (6X13)	2	
8	08316-1006A-000	NUT	2	
9	01550-0620A-000	BOLT	2	
10	94280-14L00-000	BAR, LEG FR ACCESSORY	1	
11	94230-14L00-000	BAR, LEG SIDE ACCESSORY, R	1	
12	94240-14L00-000	BAR, LEG SIDE ACCESSORY, L	1	
13	94290-14L00-000	BRACE, LEG FR ACCESSORY BAR	1	
14	94221-44K00-000	CAP	4	
15	01550-0620A-000	BOLT	1	
16	47161-23J00-000	CUSHION	3	
17	01550-0635A-000	BOLT	2	
18	01550-0610A-000	BOLT	2	
19	94231-14L00-000	BOLT	2	
20	09160-06060-000	WASHER	2	
21	08316-1006A-000	NUT	2	
22	63115-08K10-000	BOLT	2	
23	08313-2006A-000	NUT	2	
24	94810-14L00-000	BAR, RR ACCESSORY	1	
25	09250-05009-000	CAP	2	
26	07130-0625A-000	BOLT	2	
27	09160-06124-000	WASHER	2	



970D

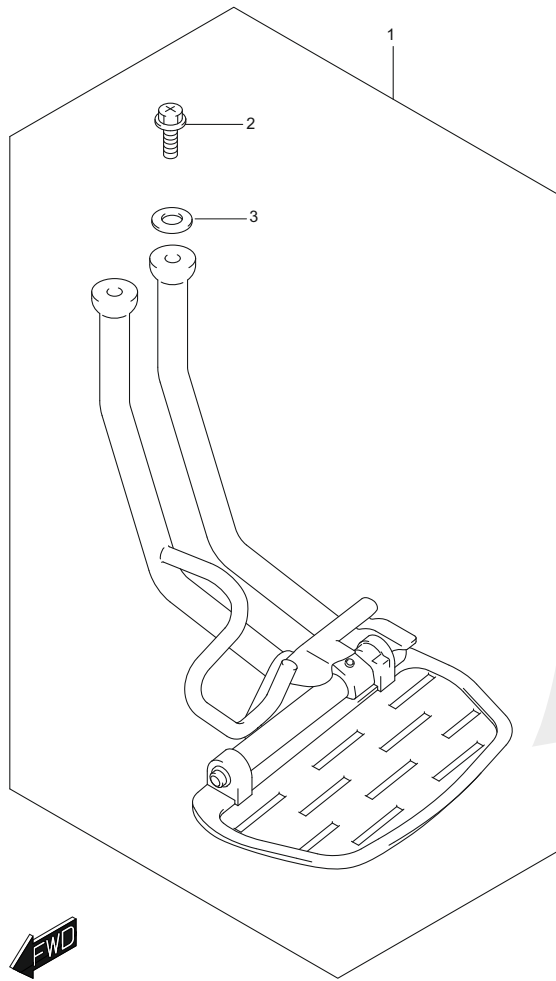


FIG. 970D (F-4) OPTIONAL (TUBE SET, RR FOOTREST SIDE)

REF NO.	PART NO.	DESCRIPTION	QTY	REMARKS
1	43600-02830-000	TUBE SET, RR FOOTREST SIDE	1	
2	01550-0820B-000	BOLT	2	
3	09160-08025-000	WASHER (8.5X25X2.3)	2	

**PARTS NUMBER INDEX**

PART NO.	FIG.NO.	REF NO.	PART NO.	FIG.NO.	REF NO.	PART NO.	FIG.NO.	REF NO.
			02112-3510A-000	352A	4	08316-1006A-000	550A	7
			02112-3512A-000	301A	12	08316-1006A-000	970B	8
00000			02122-0616A-000	211A	18	08316-1006A-000	970B	21
			02142-0510B-000	462A	26	08316-1008A-000	103A	4
			02142-0512A-000	456A	4	08316-1010A-000	108A	9
01421-0616A-000	163A	5	02142-0512A-000	463A	4	08316-1010A-000	303A	7
01421-0625A-000	103A	9	02142-0512A-000	463B	4	08319-2106A-000	467A	8
01547-0610A-000	172A	12	02142-0512B-000	463A	5	08319-2106A-000	467A	18
01547-0610A-000	172A	13	02142-0512B-000	463B	5	08319-2116A-000	550A	9
01547-0610A-000	172A	14	02142-0635B-000	970A	9	08319-3105A-000	339A	17
01547-0610A-000	427A	15	03211-04203-000	339A	12	08319-3106A-000	333A	5
01547-0610A-000	462A	20	03541-0416A-000	330A	3	08319-3110A-000	401A	6
01547-0610A-000	462A	24	03541-0416B-000	463A	6	08319-3110A-000	407A	10
01547-0612A-000	112A	8	03541-0416B-000	463B	6	08322-0105A-000	435A	16
01547-0612A-000	537A	13	03541-0512A-000	427A	16	08322-0105A-000	435B	16
01547-0620A-000	127A	8	03541-0516A-000	181A	7	08322-0105A-000	445A	16
01547-0620A-000	140A	12	03541-0516A-000	181A	10	08322-0105A-000	445B	19
01547-0620A-000	312A	12	03541-0516A-000	334A	5	08322-0105A-000	970B	5
01547-0620A-000	467A	17	03541-0516A-000	339A	3	08322-0106A-000	440A	23
01547-0625A-000	112A	5	03541-0516A-000	350A	11	08331-31149-000	240A	5
01547-0625A-000	170A	5	03541-0516A-000	435A	6	08331-31249-000	211A	11
01547-0625A-000	181A	6	03541-0516A-000	435B	6	08332-1103A-000	467A	19
01547-0625A-000	181A	9	03541-0516A-000	438A	7	08332-1104A-000	467A	20
01547-0625A-000	312A	6	03541-0516A-000	438B	7	08332-11059-000	170A	4
01547-0630A-000	108A	17	03541-0516A-000	440A	17	08341-31039-000	303A	8
01547-0630A-000	301A	14	03541-0516A-000	440A	22	09100-06139-000	550A	6
01547-0655A-000	108A	5	03541-0516A-000	445A	11	09103-06247-000	127A	4
01547-0655A-000	108A	18	03541-0516A-000	445B	11	09103-06501-000	103A	6
01547-0680A-000	170A	8	03541-0516A-000	456A	8	09103-10126-000	462A	5
01547-0690A-000	112A	6	03541-0516A-000	462A	7	09106-05028-000	126A	4
01547-0695A-000	108A	6	03541-0516A-000	463A	7	09106-08211-000	429A	8
01550-0510A-000	462A	25	03541-0516A-000	463B	7	09108-08302-000	107A	3
01550-0512A-000	126A	13	03541-0516A-000	505A	5	09111-06072-000	440A	3
01550-0610A-000	970B	18	03541-0516B-000	438A	8	09111-06102-000	474A	8
01550-0612A-000	181A	2	03541-0516B-000	438B	8	09111-06106-000	405A	4
01550-0612A-000	350A	23	03541-0516B-000	445A	12	09111-06255-000	460A	2
01550-0612A-000	438A	6	03541-0516B-000	445B	12	09111-06255-000	460B	2
01550-0612A-000	438B	6	03541-0520A-000	155A	12	09116-06097-000	420A	8
01550-0612A-000	456A	7	03541-0520A-000	339A	15	09116-06103-000	155A	14
01550-0612A-000	474A	10	03541-0520A-000	456A	9	09119-06138-000	102A	5
01550-0616A-000	163A	6	03541-0520B-000	440A	4	09139-05098-000	970A	8
01550-0616A-000	352A	2	03541-0616A-000	435A	15	09139-06165-000	462A	6
01550-0616B-000	163A	21	03541-0616A-000	435B	15	09139-06217-000	163A	20
01550-0620A-000	350A	21	04111-2515A-000	415A	4	09139-06219-000	970B	7
01550-0620A-000	970B	9	04111-3020A-000	407A	4	09140-12055-000	210A	22
01550-0620A-000	970B	15	06111-06004-000	524A	7	09140-12055-000	210A	26
01550-0635A-000	970B	17	06111-06004-000	524A	9	09148-05060-000	435A	5
01550-0812A-000	107A	6	06111-07004-000	415A	6	09148-05060-000	435A	12
01550-0812A-000	108A	11	06112-07004-000	240A	11	09148-05060-000	435B	5
01550-0812A-000	108A	13	07130-0612A-000	303A	5	09148-05060-000	435B	12
01550-0820B-000	970D	2	07130-0612A-000	303A	6	09148-05060-000	438A	4
01550-0825A-000	505A	16	07130-0616A-000	330A	5	09148-05060-000	438B	4
01550-0825A-000	535A	18	07130-0625A-000	140A	14	09148-05060-000	440A	16
01550-0835A-000	545A	3	07130-0625A-000	303A	4	09148-05060-000	440A	20
01550-0840A-000	405A	2	07130-0625A-000	970B	26	09148-05060-000	445A	8
01550-1040A-000	163A	7	08110-6202A-000	211A	6	09148-05060-000	445B	8
01550-1040A-000	545A	2	08110-62030-000	211A	15	09148-05060-000	474A	9
02112-0408A-000	429A	11	08133-6300B-000	530A	2	09150-06010-000	462A	18
02112-0416A-000	429A	15	08133-6300B-000	530A	3	09160-04026-000	330A	2
02112-0510A-000	102A	7	08211-12223-000	210A	23	09160-05501-000	339A	13
02112-0525A-000	467A	21	08211-12223-000	210A	27	09160-06028-000	163A	9
02112-0612A-000	103A	12	08313-2005B-000	970A	10	09160-06060-000	970B	20
02112-0612A-000	505A	8	08313-2006A-000	970B	23	09160-06124-000	970B	27
02112-34063-000	301A	10	08316-1006A-000	103A	10	09160-06151-000	163A	10
02112-34088-000	301A	11	08316-1006A-000	163A	8	09160-08025-000	970D	3

PART NO.	FIG.NO.	REF NO.	PART NO.	FIG.NO.	REF NO.	PART NO.	FIG.NO.	REF NO.
09160-08164-000	103A	5	09409-06L07-000	438B	5	12800-42810-000	127A	9
09160-14053-000	240A	4	09409-06L07-000	440A	21	12811-08K10-000	127A	3
09166-24001-000	524A	10	09409-06L07-000	445A	9	12830-42K00-000	127A	6
09168-06004-000	127A	5	09409-06L07-000	445B	9	12837-39J20-000	127A	7
09168-08008-000	107A	5	09409-06L07-000	456A	6	12840-43J00-000	126A	8
09168-08008-000	108A	10	09409-08009-000	445A	10	12840-43J10-000	126A	8
09168-08008-000	108A	12	09409-08009-000	445B	10	12842-34J00-000	126A	9
09168-10033-000	537A	16	09409-08014-000	435A	13-2	12843-27A70-000	126A	10
09180-06256-000	163A	11	09409-08L09-000	435A	13-1	12861-35J00-000	126A	11
09180-06343-000	163A	12	09409-08L09-000	435B	13	12871-35J00-000	126A	12
09181-12167-000	211A	3	09440-05003-000	415A	5	12911-43J00-000	126A	14
09181-25051-000	211A	13	09440-05005-000	240A	10	12912-02L00-000	126A	15
09200-08077-000	415A	3	09443-17026-000	407A	6	12921-43J00-000	126A	16
09206-08008-000	108A	16	09462-00043-000	310A	2	12931-09G20-000	126A	17
09206-08008-000	112A	4	09471-12216-000	334A	2	12932-09G10-000	126A	18
09206-08008-000	126A	5	09471-12216-000	334A	4	12933-09G00-000	126A	19
09206-10014-000	108A	4	09471-12216-000	339A	11	12951-08K00-000	126A	7
09206-10016-000	103A	7	09481-15501-000	350A	2	13111-02L00-000	140A	13
09206-10016-000	107A	4	09481-15501-000	350A	9	13128-08K01-000	140A	15
09209-11002-000	462A	19	09481-20501-000	350A	3	13295-02L00-000	140A	7
09229-04018-000	970B	4	09481-20501-000	350A	10	13400-02L10-000	140A	1
09250-05009-000	970B	25	09482-00645-000	103A	8	13417-02L00-000	140A	4
09251-04004-000	427A	8				13421-02L00-000	140A	5
09261-05005-000	126A	6				13438-09JA0-000	140A	3
09262-12034-000	211A	7				13602-02L00-000	140A	6
09262-12035-000	211A	8				13640-02L00-000	107A	7
09262-20171-000	211A	4				13700-02810-000	155A	7
09262-22041-000	211A	16				13700-02L20-000	155A	1
09280-17003-000	108A	20				13740-02L20-000	155A	3
09280-26017-000	140A	16				13746-08K00-000	155A	4
09283-16L03-000	120A	2	11110-02L00-000	103A	1	13746-08K00-000	155A	6
09283-20069-000	211A	5	11141-35J00-000	103A	3	13755-54G00-000	155A	2
09283-29007-000	211A	14	11170-02L10-000	102A	1	13825-08K00-000	155A	9
09289-05019-000	126A	20	11173-02L00-000	102A	2	13850-02L10-000	155A	13
09320-08082-000	163A	14	11176-02L00-000	102A	3	13856-02L10-000	155A	11
09320-08022-000	163A	13	11177-08K00-000	102A	4	13871-41H00-000	155A	10
09381-10004-000	103A	2						

PART NO.	FIG.NO.	REF NO.	PART NO.	FIG.NO.	REF NO.	PART NO.	FIG.NO.	REF NO.
16523-09J00-000	170A	10				36851-14L00-000	420A	4
16525-09J00-000	170A	12				36852-44K00-000	350A	12
16526-09J00-000	170A	11		30000		36990-70F20-000	350A	4
17110-09J50-000	181A	1				36990-70F20-000	505A	10
17120-02L00-000	181A	3				37011-08K20-000	352A	5
17122-02L00-000	181A	4	31100-08K21-000	301A	1	37100-08K10-000	352A	1
17123-08K00-000	181A	5	31130-08K20-000	301A	2	37155-08810-000	352A	3
17124-02L00-000	181A	11	31131-08K20-000	301A	3	37330-02L10-000	350A	14
17130-02L00-000	181A	8	31132-08K20-000	301A	4	37420-02L10-000	350A	15
18117-10K00-000	140A	2	31135-08K20-000	301A	5	37510-33G40-000	350A	16
18213-12K10-000	163A	19	31142-08K20-000	301A	6	37520-33G11-000	350A	17
18560-02L00-000	427A	1	31156-32G00-000	301A	7	37760-14L00-000	467A	5
18561-02L10-000	427A	2	31157-08K20-000	301A	8	37840-02L00-000	350A	18
18563-02L00-000	427A	3	31173-08K20-000	301A	9	38500-02L00-000	350A	22
18567-02L00-000	427A	4	31370-32G00-000	301A	13	38610-23J10-000	334A	19
18571-02L00-000	427A	5	31497-39J00-000	303A	1	38610-27K00-000	334A	20
18572-02L00-000	427A	6	31800-23J20-000	312A	1	39105-44K00-000	350A	13
18573-02L00-000	427A	7	32101-02L00-000	303A	2			
			32102-02L00-000	303A	3			
			32800-02L00-000	312A	2			
			32830-14L00-000	312A	3			
			32832-14L00-000	312A	4			
			32832-14L10-000	312A	5			
			32920-02L30-000	312A	7			
			33410-02L10-000	312A	8			
	20000						40000	
21111-08K00-000	210A	1	33510-08K00-000	312A	9	41100-14L00-000	401A	1
21113-39J10-000	210A	2	33541-08K00-000	312A	10	41170-09J10-000	401A	4
21120-33G70-000	210A	3	33542-08K00-000	312A	11	41180-02L00-000	401A	2
21125-33G00-000	210A	4	33610-39J30-000	310A	1	41184-39J00-000	401A	3
21210-08K00-000	210A	5	33652-34J00-000	401A	9	41185-08K00-000	401A	7
21214-08K00-000	210A	15	34100-14L00-000	330A	1	41185-09J00-000	401A	8
21215-08K10-000	210A	14	34810-14L00-000	172A	15	41189-39J00-000	401A	5
21216-08K00-000	210A	17	34990-44K01-000	330A	4	41521-14L00-000	405A	3
21220-08K10-000	210A	21	35100-14L00-000	333A	1	41540-14L00-000	405A	1
21240-08K01-000	210A	6	35151-44J00-000	333A	2	42100-02L00-000	407A	1
21243-08K00-000	210A	7	35157-34J00-000	474A	1	42211-39J00-000	407A	2
21245-09J00-000	210A	8	35222-34J80-000	334A	7	42251-32G00-000	407A	5
21246-08K00-000	210A	9	35222-34J80-000	334A	13	42275-25J00-000	407A	3
21247-08K00-000	210A	16	35601-14L00-000	334A	1	42278-44K00-000	407A	7
21248-08K00-000	210A	10	35602-14L00-000	334A	3	42310-02L00-000	407A	8
21431-33G00-000	210A	18	35603-20LA0-000	334A	6	42341-27K00-000	407A	11
21471-08K00-000	210A	11	35604-20LA0-000	334A	12	42421-02L00-000	407A	9
21481-08K00-000	210A	19	35616-34J00-000	334A	8	43130-24A70-000	530A	11
21501-08K10-000	210A	12	35616-34J00-000	334A	14	43130-41D90-000	550A	11
21518-09J00-000	210A	13	35623-34J00-000	334A	9	43600-02830-000	970D	1
21650-08K10-000	210A	20	35623-34J00-000	334A	15	43611-44K10-000	415A	1
24131-33G80-000	211A	1	35623-34J30-000	334A	10	43621-44K10-000	415A	2
24141-08K10-000	211A	9	35623-34J30-000	334A	16	44110-14L00-000	420A	1
24142-08K00-000	211A	12	35623-34J40-000	334A	11	44160-14L00-000	429A	2
24150-39J40-000	211A	2	35623-34J40-000	334A	17	44190-14L10-000	429A	3
24371-39J10-000	211A	10	35629-34J30-000	334A	18	44210-14L00-000	429A	12
24741-20A10-000	103A	11	35690-41K00-000	435A	7	44218-14L00-000	429A	13
24751-09J00-000	211A	17	35690-41K00-000	435B	7	44230-14L00-000	429A	16
26200-39J00-000	240A	6	35701-14L00-000	339A	1	44231-14L00-000	429A	17
26210-08K00-000	240A	1	35702-14L00-000	339A	2	44240-13H00-000	427A	19
26212-46G00-000	240A	2	35910-16GD0-000	339A	4	44281-02L00-000	420A	2
26213-39J00-000	240A	3	35912-30H01-000	339A	5	44281-02L00-000	429A	4
26231-08K00-000	210A	25	35913-30H00-000	339A	6	44281-14L00-000	429A	14
26300-08K00-000	240A	7	35915-30H00-000	339A	7	44281-29C00-000	420A	3
26314-33G30-000	240A	12	35916-30H00-000	339A	8	44422-14L00-000	429A	5
26351-08K00-000	240A	8	35917-30H00-000	339A	9	44423-14L00-000	429A	20
27601-08K10-000	210A	24	35926-30H00-000	339A	10	44424-14L00-000	429A	6
			35950-20L00-000	333A	4	44434-14L00-000	427A	20
			35970-28G00-000	339A	16	44435-14L00-000	427A	22
			36610-14L00-000	350A	1	44541-44J00-000	420A	5

PART NO.	FIG.NO.	REF NO.	PART NO.	FIG.NO.	REF NO.	PART NO.	FIG.NO.	REF NO.
44542-44J00-000	420A	6	48131-44K10-000	438B	1	51611-41H01-000	524A	5
44544-27K00-000	420A	7	48132-14L00-PGZ	435A	9-3	51612-41H01-000	524A	4
44894-39J10-000	427A	18	48132-14L00-QVN	435A	9-2	51621-41H00-000	524A	8
45100-14L00-CC9	505A	1	48132-14L00-YKV	435A	9-4	51622-41H00-000	524A	2
45148-20GB0-000	505A	2	48132-14L00-YPA	435A	9-1	51631-05000-000	524A	11
45148-20GJ0-000	505A	3	48132-14L00-YSF	435B	9	51631-05000-000	524A	12
45211-44K00-000	505A	6	48133-14L00-PGZ	435A	10-3	51643-06001-000	524A	6
45271-32G10-000	505A	4	48133-14L00-QVN	435A	10-2	51831-30H00-000	333A	3
45280-14L00-000	505A	9	48133-14L00-YKV	435A	10-4	53111-14L00-PGZ	460A	1-3
45288-20G20-000	429A	18	48133-14L00-YPA	435A	10-1	53111-14L00-QVN	460A	1-2
45700-33G40-000	505A	7	48133-14L00-YSF	435B	10	53111-14L00-YKV	460A	1-4
46211-14L00-PGZ	505A	14-4	48134-14L00-PGZ	438A	2-3	53111-14L00-YPA	460A	1-1
46211-14L00-QVN	505A	14-3	48134-14L00-QVN	438A	2-2	53111-14L00-YSF	460B	1
46211-14L00-YKV	505A	14-5	48134-14L00-YKV	438A	2-4	53120-14L00-000	970B	3
46211-14L00-YPA	505A	14-1	48134-14L00-YPA	438A	2-1	54111-08K70-019	530A	1
46211-14L00-YSF	505A	14-2	48134-14L00-YSF	438B	2	54424-28G00-000	550A	3
46231-14L00-PGZ	505A	15-4	48135-14L00-PGZ	438A	3-3	54711-11F00-000	530A	5
46231-14L00-QVN	505A	15-3	48135-14L00-QVN	438A	3-2	54731-02L00-000	530A	4
46231-14L00-YKV	505A	15-5	48135-14L00-YKV	438A	3-4	54741-02L00-000	530A	7
46231-14L00-YPA	505A	15-1	48135-14L00-YPA	438A	3-1	54751-02L00-000	530A	8
46231-14L00-YSF	505A	15-2	48135-14L00-YSF	438B	3	54841-23J00-000	530A	6
47111-14L00-PGZ	445A	1-3	48191-02L00-000	435A	14	55110-08K01-000	530A	10
47111-14L00-QVN	445A	1-2	48191-02L00-000	435B	14	55110-25J01-000	550A	10
47111-14L00-YKV	445A	1-4				56110-14L00-000	462A	2
47111-14L00-YPA	445A	1-1				56311-14L00-PGZ	463A	1-3
47111-14L00-YSF	445B	1				56311-14L00-QVN	463A	1-2
47121-14L00-000	445A	2				56311-14L00-YKV	463A	1-4
47121-14L00-000	445B	2				56311-14L00-YPA	463A	1-1
47131-14L00-PGZ	445A	3-1			50000	56311-14L00-YSF	463B	1
47131-14L00-YRD	445A	3-3				56312-14L00-YVB	463A	2
47131-14L00-YVB	445A	3-2	51103-44K00-291	521A	1	56312-14L00-YVB	463B	2
47131-14L00-YVB	445B	3	51104-44K00-291	521A	16	56321-14L00-000	463A	3
47161-23J00-000	970B	16	51110-08K10-000	521A	9	56321-14L00-000	463B	3
47162-30H00-000	429A	7	51110-08K10-000	521A	24	56500-34JAO-000	462A	8
47162-30H00-000	435A	8	51117-33G10-000	521A	6	56533-33G60-000	462A	9
47162-30H00-000	435B	8	51117-33G10-000	521A	21	56533-33G60-000	462A	11
47211-14L00-PGZ	445A	4-3	51131-44K00-291	521A	2	56600-34JAO-000	462A	10
47211-14L00-QVN	445A	4-2	51141-44K00-291	521A	17	57100-02L00-000	467A	1
47211-14L00-YKV	445A	4-4	51146-44K00-000	521A	10	57110-30H10-000	467A	2
47211-14L00-YPA	445A	4-1	51146-44K00-000	521A	25			



# SUZUKI GENUINE ACCESSORIES & MERCHANDISE



PART NO	ENGLISH NAME
99000F10417C000	WIND CHEATER



PART NO	ENGLISH NAME
99000F10595C00L	BURGMAN BLACK JACKET-L
99000F10595C0XL	BURGMAN BLACK JACKET-XL
99000F10595CXXL	BURGMAN BLACK JACKET-XXL



PART NO	ENGLISH NAME
99000F10585C00L	HAYABUSA T-SHIRT-L
99000F10585C0XL	HAYABUSA T-SHIRT-XL
99000F10585CXXL	HAYABUSA T-SHIRT-XXL



PART NO	ENGLISH NAME
99000F10597C00L	BLACK HOODIE-L
99000F10597C0XL	BLACK HOODIE-XL
99000F10597CXXL	BLACK HOODIE-XXL



PART NO	ENGLISH NAME
99000F10586C00L	HAYABUSA T-SHIRT (WHITE)-L
99000F10586C0XL	HAYABUSA T-SHIRT (WHITE)-XL
99000F10586CXXL	HAYABUSA T-SHIRT (WHITE)-XXL



PART NO	ENGLISH NAME
99000F10526C00L	MOTO GP JACKET-L
99000F10526C0XL	MOTO GP JACKET-XL
99000F10526CXXL	MOTO GP JACKET-XXL



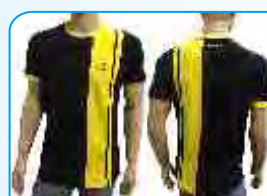
PART NO	ENGLISH NAME
99000F10644C00M	HAYABUSA ROUND NECK T SHIRT WHITE- M
99000F10644C00L	HAYABUSA ROUND NECK T SHIRT WHITE- L
99000F10644C0XL	HAYABUSA ROUND NECK T SHIRT WHITE- XL
99000F10644CXXL	HAYABUSA ROUND NECK T SHIRT WHITE- XXL



PART NO	ENGLISH NAME
99000F10527C00L	TEAM SUZUKI PIT SHIRT-L
99000F10527C0XL	TEAM SUZUKI PIT SHIRT-XL
99000F10527CXXL	TEAM SUZUKI PIT SHIRT-XXL



PART NO	ENGLISH NAME
99000F10636C00M	HAYABUSA ROUND NECK T SHIRT- M
99000F10636C00L	HAYABUSA ROUND NECK T SHIRT- L
99000F10636C0XL	HAYABUSA ROUND NECK T SHIRT- XL
99000F10636CXXL	HAYABUSA ROUND NECK T SHIRT- XXL



PART NO	ENGLISH NAME
99000F10590C00L	SUZUKI ROUND NECK T-SHIRT-L (BLK/YLW)
99000F10590C0XL	SUZUKI ROUND NECK T-SHIRT-XL (BLK/YLW)
99000F10590CXXL	SUZUKI ROUND NECK T-SHIRT-XXL (BLK/YLW)

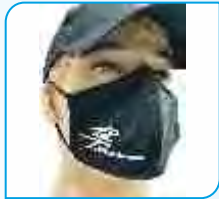
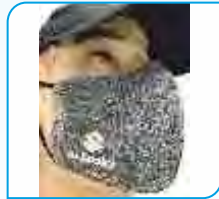
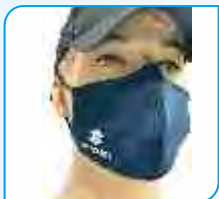
# SUZUKI GENUINE ACCESSORIES & MERCHANDISE



PART NO	ENGLISH NAME
99000F10637C000	BLACK CAP
99000F10414C000	CAP



PART NO	ENGLISH NAME
99000F10532CD0M	HELMET_OF_DSTM_M
99000F10532CD0L	HELMET_OF_DSTM_L
99000F10561CB0M	HELMET_OF_BLK_M
99000F10561CB0L	HELMET_OF_BLK_L
99000F10561CBXL	HELMET_OF_BLK_XL



PART NO	ENGLISH NAME
99000F10700C00M	SUZUKI F.MASK NAVY M-12(H)*20(W)CM
99000F10700C00L	SUZUKI F.MASK NAVY L-14(H)*22(W)CM
99000F10701C00M	SUZUKI F.MASK ANTHRA M-12(H)*20(W)CM
99000F10701C00L	SUZUKI F.MASK ANTHRA L-14(H)*22(W)CM
99000F10702C00M	HAYABUSA F.MASK BLK M-12(H)*20(W)CM
99000F10702C00L	HAYABUSA F.MASK BLK L-14(H)*22(W)CM



PART NO	ENGLISH NAME
99000F10650C00M	HELMET_ECO_FF_BLK_M
99000F10650C00L	HELMET_ECO_FF_BLK_L
99000F10650C0XL	HELMET_ECO_FF_BLK_XL
99000F10649C00M	HELMET_ECO_OF_BLK_M
99000F10649C00L	HELMET_ECO_OF_BLK_L
99000F10649C0XL	HELMET_ECO_OF_BLK_XL



PART NO	ENGLISH NAME
99000F10587C000	HELMET_FF_BLK
99000F10571C00S	HELMET_OF_BLU_S

6



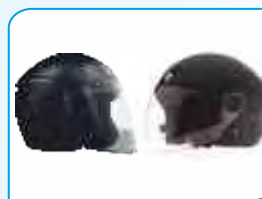
PART NO	ENGLISH NAME
99000F10685CB0M	HELMET_OF_ECO_BLU_M
99000F10685CB0L	HELMET_OF_ECO_BLU_L
99000F10685CBXL	HELMET_OF_ECO_BLU_XL
99000F10685CR0M	HELMET_OF_ECO_RED_M
99000F10685CR0L	HELMET_OF_ECO_RED_L
99000F10685CRXL	HELMET_OF_ECO_RED_XL



PART NO	ENGLISH NAME
99000F10554CB0M	HELMET_FF_BLK_M
99000F10554CB0L	HELMET_FF_BLK_L
99000F10554CBXL	HELMET_FF_BLK_XL
99000F10654C00M	HELMET_FF_MOTO_GP_M
99000F10654C00L	HELMET_FF_MOTO_GP_L
99000F10654C0XL	HELMET_FF_MOTO_GP_XL



PART NO	ENGLISH NAME
99000F10422C00M	HELMET_OF_BLK_M
99000F10422C00L	HELMET_OF_BLK_L
99000F10422C0XL	HELMET_OF_BLK_XL
99000F10423C00M	HELMET_OF_WHT_M
99000F10423C00L	HELMET_OF_WHT_L
99000F10423C0XL	HELMET_OF_WHT_XL



PART NO	ENGLISH NAME
99000F10673C00M	HELMET_PRE_ECO_OF_2_M
99000F10673C00L	HELMET_PRE_ECO_OF_2_L
99000F10673C0XL	HELMET_PRE_ECO_OF_2_XL
99000F10672C00M	HELMET_PRE_ECO_OF_1_M
99000F10672C00L	HELMET_PRE_ECO_OF_1_L
99000F10672C0XL	HELMET_PRE_ECO_OF_1_XL

# SUZUKI GENUINE ACCESSORIES & MERCHANDISE



PART NO	ENGLISH NAME
99000F10410GB0M	HELMET_FF_BLK_M
99000F10410GB0L	HELMET_FF_BLK_L
99000F10410GBXL	HELMET_FF_BLK_XL
99000F10537CB0M	HELMET_FF_BLUE_M
99000F10537CB0L	HELMET_FF_BLUE_L
99000F10537CBXL	HELMET_FF_BLUE_XL



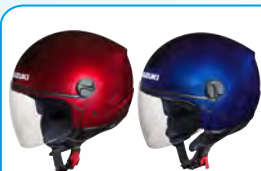
PART NO	ENGLISH NAME	MODEL
56500-33GM0-000	MIRROR ASSY, REAR VIEW RH	UZ125L7~
56600-33GM0-000	MIRROR ASSY, REAR VIEW LH	UZ125N~



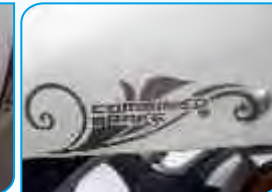
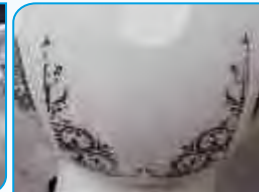
PART NO	ENGLISH NAME
99000F10410PB0L	HELMET_FF_BLK_L
99000F10410PBXL	HELMET_FF_BLK_XL
99000F10626C00M	HELMET_FF_MAT_BLK_M
99000F10626C00L	HELMET_FF_MAT_BLK_L
99000F10626C0XL	HELMET_FF_MAT_BLK_XL



PART NO	ENGLISH NAME	MODEL
99000F10551C000	CHROME MIRROR LH	UN125M2~
99000F10552C000	CHROME MIRROR RH	UB125L9~
99000F10553C000	CHROME MIRROR KIT	GL150L8~



PART NO	ENGLISH NAME
99000F10532CR0M	HELMET_OF_RED_M
99000F10532CR0L	HELMET_OF_RED_L
99000F10532CRXL	HELMET_OF_RED_XL
99000F10532CB0M	HELMET_OF_BLU_M
99000F10532CB0L	HELMET_OF_BLU_L
99000F10532CBXL	HELMET_OF_BLU_XL



PART NO	ENGLISH NAME	MODEL
99000F10665C000	GRAPHICS SET-UZ125 (FLORAL)	UZ125N~



PART NO	ENGLISH NAME
99000F10410MG0M	HELMET_OF_GRY_M
99000F10410MG0L	HELMET_OF_GRY_L
99000F10410MW0M	HELMET_OF_WHT_M
99000F10410MW0L	HELMET_OF_WHT_L



PART NO	ENGLISH NAME	MODEL
99000F10662C000	GRAPHICS SET-UZ125(RED)	UZ125N~
99000F10661C000	GRAPHICS SET-UZ125(BLUE)	



PART NO	ENGLISH NAME	MODEL
99000F10663C000	GRAPHICS SET-UZ125 (SILVER)	UZ125N~
99000F10664C000	GRAPHICS SET-UZ125 (BLACK)	

# SUZUKI GENUINE ACCESSORIES



PART NO	ENGLISH NAME
99000F10686C000	FLOOR MAT WITH LOCK_UB125 DESIGN 1



PART NO	ENGLISH NAME	MODEL
99000F10421C000	SEAT COVER MESH TYPE	UZ125L7~ UZ125N~



PART NO	ENGLISH NAME
99000F10687C000	FLOOR MAT WITH LOCK_UB125 DESIGN 2



PART NO	ENGLISH NAME	MODEL
99000F10538C000	SEAT COVER-UZ125L7	UZ125L7~ UZ125N~



PART NO	ENGLISH NAME	MODEL
99000F10425C000	FLOOR MAT WITH LOCK	UZ125L7~



PART NO	ENGLISH NAME	MODEL
99000F10594C000	SEAT COVER-BURGMAN	UB125EML9~



PART NO	ENGLISH NAME	MODEL
99000F10569CU1G	SEAT COVER-UZ125L7 (MAROON)	UZ125L7~ UZ125N~



PART NO	ENGLISH NAME	MODEL
99000F10593C000	BODY COVER BURGMAN	UB125EML9~



PART NO	ENGLISH NAME	MODEL
99000F10653C000	SEAT COVER-UZ125L7 (BROWN)	UZ125L7~ UZ125N~



PART NO	ENGLISH NAME	MODEL
99000F10591C000	BODY COVER- NEW ACCESS	UZ125L7~ UZ125N~



PART NO	ENGLISH NAME	MODEL
94200-44830-000	BAR SET,ACCESSORIES	UB125NMM1~



PART NO	ENGLISH NAME	MODEL
99000F10546C000	GARNISH COMBO KIT	
99000F10548C000	CENTER & FENDER, GARNISH SET	UZ125L7~
99000F10544C000	SIDE PROTECTOR, GARNISH SET	UZ125N~
99000F10545C000	TAIL LAMP, GARNISH SET	



PART NO	ENGLISH NAME	MODEL
43600-02830-000	TUBE SET, FOOTREST	UN125M2~
43600-02810-000	TUBE SET, FOOTREST	UZ125M2~
43600-44810-000	TUBE SET, FOOTREST	UB125NM3~



PART NO	ENGLISH NAME	MODEL
94600-02810-000	VISOR SET,METER	UZ125N~



PART NO	ENGLISH NAME	MODEL
38850-39J00-000	TERMINAL, POWER SOURCE (MOBILE CHARGER)	UR110L7~ UZ125L7~
39105-44K00-000	SOCKET, USB	UZ125N~ UB125L9~



PART NO	ENGLISH NAME	MODEL
99000F10412C000	DECORATIVE VALVE CAP (SET)	ALL MODELS



PART NO	ENGLISH NAME	MODEL
99000F10535CBLK	S LOGO KEY CHAIN- BLACK	ALL
99000F10535CBLU	S LOGO KEY CHAIN- BLUE	
99000F10535CWHT	S LOGO KEY CHAIN- WHITE	
99000F10535CTPT	S LOGO KEY CHAIN-TRNSPT	
99000F10555C000	MOTO-GP KEY CHAIN	



PART NO	ENGLISH NAME
99000F10558C000	CARRY BAG



PART NO	ENGLISH NAME	MODEL
99000F10633C000	S LEATHER KEY CHAIN	ALL MODELS
99000F10641C000	GIXXER KEY CHAIN	



PART NO	ENGLISH NAME	MODEL
94200-14810-000	BAR SET, ACCESSORY	UN125M2~



PART NO	ENGLISH NAME	MODEL
99000F10744CGRY	SEAT COVER (BLACK)	UN125M2~
99000F10744CRED	SEAT COVER (BLACK & ORANGE)	



PART NO	ENGLISH NAME	MODEL
99000F10743CRED	FLOOR BOARD COVER (RED)	UN125M2~
99000F10743CGRN	FLOOR BOARD COVER (GREEN)	



PART NO	ENGLISH NAME	MODEL
68100-14810-CC7	TAPE SET (ORANGE & BLACK)	UN125NEM2~
68100-14810-CC8	TAPE SET (GREEN & GRAY)	
68100-14810-A8D	TAPE SET (WHITE & GRAY)	
68100-14810-KGL	TAPE SET (BLACK)	



PART NO	ENGLISH NAME	MODEL
57300-14810-000	KNUCKLE COVER SET	UN125M2~



PART NO	ENGLISH NAME	MODEL
99000F10746C000	BODY COVER	UN125M2~

# SUZUKI GENUINE ENGINE OIL & CHEMICALS



## IDEMITSU



PART NO.	TYPE	GRADE	PACK SIZE
990P0-21040-001	10W-30	SEMI-SYNTHETIC	1Ltr.

## IDEMITSU



PART NO.	TYPE	GRADE	PACK SIZE
990P0-21040-P70	10W-30	SEMI-SYNTHETIC	700ML

## CASTROL



PART NO.	TYPE	GRADE	PACK SIZE
990P0-21030-001	10W-30	MINERAL	1Ltr

## CASTROL



PART NO.	TYPE	GRADE	PACK SIZE
990P0-21030-P70	10W-30	MINERAL	700 ML

## ECSTAR



**ORDER TO SMIPL**

PART NO	TYPE	GRADE	PACK
990P0-99010-P50	FRONT FORK OIL	2W-35	1Ltr.

## ECSTAR



**ORDER TO SMIPL**

PART NO	TYPE	PACK SIZE
990P0-59040-P60	ECSTAR BIKE CARE KIT	600ML

## ECSTAR



**ORDER TO SMIPL**

PART NO	TYPE	PACK SIZE
990P0-26010-P30	LUSTER WAX	300ML

**NOTE :- KINDLY PLACE THE ENGINE OIL ORDERS DIRECTLY TO OUR AUTHORISED OIL COMPANY.**

# SUZUKI UN125NE/NEZM2 \_P74 PART CATALOGUE

---

1ST EDITION

Published in 2021-11

© 2021 Suzuki Motor Corporation. All rights reserved.

No part of this document may be reproduced or transmitted in any form or by any means, electronic or mechanical, for any purpose, without the express written permission of Suzuki Motor Corporation.

**SUZUKI MOTORCYCLE INDIA PRIVATE LIMITED,**

Spare Parts Department

Village Kherki Dhaula, Badshahapur, NH-8,

Link Road, Gurgaon 122004 (HARYANA)

---

Reprint Prohibited (S)

**1**

INFORMATION  
ILLUSTRATION INDEX

**2**

ENGINE  
TRANSMISSION

**3**

ELECTRICAL

**4**

BODY

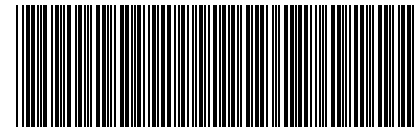
**5**

PARTS NUMBER INDEX

**6**

ACCESSORIES

**SUZUKI MOTORCYCLE INDIA PVT. LTD.**



9900BF14LP0C000

9900BF14LP0C000



Printed in India