

SUZUKI

SUZUKI

PARTS CATALOGUE

UN125NEAM2

(MB8EA12ACN)

UN125NEAM2



Avenis

P74

MAR-2022

1ST EDITION

UN125NEAM2



COLOR CODE	DESCRIPTION	MODEL
A8D	SUZUKI AVENIS -125 (WHITE, GRAY)	UN125NEAM2



COLOR CODE	DESCRIPTION	MODEL
KGL	SUZUKI AVENIS -125 (BLACK)	UN125NEAM2



COLOR CODE	DESCRIPTION	MODEL
CC7	SUZUKI AVENIS -125 (ORANGE, BLACK)	UN125NEAM2



COLOR CODE	DESCRIPTION	MODEL
CC8	SUZUKI AVENIS -125 (GREEN, GRAY)	UN125NEAM2

INFORMATION
ILLUSTRATION INDEX

1

ENGINE
TRANSMISSION

2

ELECTRICAL

3

BODY

4

PARTS NUMBER INDEX

5

ACCESSORIES

6

FIG. NO.	TITLE	ADDRESS NO.
102A	CYLINDER HEAD COVER	1-B-2
103A	CYLINDER HEAD	1-B-3
107A	CYLINDER	1-B-4
108A	CRANKCASE	1-B-5
112A	CRANKCASE COVER	1-B-6
120A	CRANKSHAFT	1-B-7
126A	CAMSHAFT/VALVE	1-B-8
127A	CAM CHAIN	1-B-9
140A	THROTTLE BODY	1-B-10
155A	AIR CLEANER	1-B-11
163A	MUFFLER	1-B-12
170A	OIL PUMP	1-B-13
172A	FUEL PUMP	1-B-14
181A	COOLING FAN	1-B-15
210A	TRANSMISSION (1)	1-B-16
211A	TRANSMISSION (2)	1-C-2
240A	KICK STARTER	1-C-3
301A	STARTING MOTOR	1-C-4
303A	MAGNETO	1-C-5
310A	BATTERY	1-C-6
312A	ELECTRICAL	1-C-7
330A	SPEEDOMETER	1-C-8
333A	HEADLAMP	1-C-9
334A	TURNSIGNAL LAMP	1-C-10
339A	REAR COMBINATION LAMP	1-C-11
350A	WIRING HARNESS	1-C-12
352A	LOCK SET	1-C-13
401A	FRAME	1-C-14
405A	BATTERY HOLDER	1-C-15
407A	STAND	1-C-16
415A	FOOTREST	1-D-2
420A	FUEL TANK	1-D-3
427A	EVAP SYSTEM	1-D-4
429A	FUEL INLET	1-D-5
435A	FRONT LEG SHIELD	1-D-6
435A	FRONT LEG SHIELD	1-D-7
438A	SIDE LEG SHIELD	1-D-8
440A	REAR LEG SHIELD	1-D-9
445A	FRAME COVER	1-D-10
456A	HELMET BOX	1-D-11
460A	FRONT FENDER	1-D-12

FIG. NO.	TITLE	ADDRESS NO.
462A	HANDLEBAR	1-D-13
463A	HANDLE COVER	1-D-14
467A	HANDLE LEVER	1-D-15
474A	REAR FENDER	1-D-16
496A	LABEL	1-E-2
505A	SEAT	1-E-3
521A	FRONT FORK DAMPER	1-E-4
524A	STEERING STEM	1-E-5
530A	FRONT WHEEL	1-E-6
535A	FRONT CALIPER	1-E-7
537A	FRONT MASTER CYLINDER	1-E-8
545A	REAR SHOCK ABSORBER	1-E-9
550A	REAR WHEEL	1-E-10
970A	COVER SET, KNUCKLE	1-E-11
970B	TAPE SET	1-E-12
970C	ACCESSORY BAR SET	1-E-13
970D	TUBE SET, RR FOOTREST SIDE	1-E-14

PREFACE

When it becomes necessary to replace parts on SUZUKI MOTORCYCLES, always use SUZUKI GENUINE PARTS which have passed a strict inspection which guarantees quality and performance. This parts catalogue covers the list of all service parts for SUZUKI UN125NEAM2.

INSTRUCTIONS FOR QUOTING THE CATALOGUE

1. DIMENSIONS

Dimensions of the parts in this catalogue are indicated in unit millimeters.

2. ABBREVIATIONS

Abbreviations used in this catalogue are as follows:

AR	: As required	NT	: Number of teeth
ASSY	: Assembly	OPT	: Optional
E.NO.	: Engine number	OS	: Over size
F.NO.	: Frame number	STD	: Standard
D	: Diameter of material	T	: Thickness
ID	: Inside diameter	US	: Under size
OD	: Outside diameter	W	: Width
L	: Length		
LH	: Left hand side		
RH	: Right hand side		
~ 100045	: Up to F.NO.A100-100045		
100046	: From F.NO.A100-100046		

12 x 34 x 5.6..... Figures in the description column
 | | | show the dimensions of parts.
 ID OD T(or W,L)

→ 12345-56781 (Parts No.) : indicates that the parts number was changed to 12345-56781 and the new parts are interchangeable with the former ones but the former ones are not interchangeable with new ones.

← 12345-56781 (Parts No.) : indicates that the former and new parts are interchangeable with each other and both are usable.

3) INNER PARTS OF ASSEMBLY

Part name with a dot (.) in front as shown in the description column indicates the component of the assembly also available individually.

4) MODIFICATION NOTICE

A parts bulletin will be sent to you on all occasions when changes in parts occur, including interchangeable modifications between new parts and old ones.

5. NOTE

5-1. There are some different parts from those of production models among spare parts for the administrative reasons and common use of them with other models.

5-2. In respect of rubber hoses and vinyl tubes, please be sure to use them by cutting off according to the length mentioned on parts catalogue or what is actually required on the vehicle.

5-3. Note that the drawings on the illustration page are for ready reference of spare parts number, not to be used as an assembly manual. When assembling, use "SUZUKI SERVICE MANUAL".

6. SPECIFICATION CODE

This catalogue contains the parts for the model designed for the following spec.; spec. code : P74.

7. SERIAL FRAME NUMBER

UN125NEAM2 : MB8EA12ACN8122752~

*Note

1) 9th Digit of frame number signifies month of production

MONTH	CODE
January	A
February	B
March	C
April	D
May	E
June	F
July	G
August	H
September	J
October	K
November	L
December	M

2) 10th digit of frame no signifies year of production

YEAR	CODE
2010	A
2011	B
2012	C
2013	D
2014	E
2015	F
2016	G
2017	H
2018	J
2019	K
2020	L
2021	M
2022	N

COLOUR CHART
TABLEAU COULEURS

COLOR NO. NO DE COULEUR	COLOUR DESCRIPTION DESCRIPTION DE COULEUR	COLOR NO. NO DE COULEUR	COLOUR DESCRIPTION DESCRIPTION DE COULEUR
019	SLD.BLACK	YD8	MET.SONIC SILVER
291	SLD.BLACK 50% GLOSS	YHF	MET.PHANTOM GRAY
30H	SLD.SPECIAL WHITE NO.2	YHG	MET.OORT GRAY
A8D	YPA,PGZ	YKV	MET.MAT BLACK NO.2
AHW	PGZ,YKV	YLF	MET.THUNDER GRAY
AR4	YVB,PGZ	YMD	MET.MYSTIC SILVER
CC7	QVN,YVB	YPA	PRL.MIRAGE WHITE
CC8	PGZ,YRD	YRD	MET.LUSH GREEN
CC9	QVY,QVZ,PVG	YVB	GL.SPARKLE BLACK
CDG	YKV,QVN	YVZ	PRL.MIRARED
CDH	YVB,YLF,YPA		
CDJ	YVB,YD8,QVN		
CDK	YRD,YVB,PGZ		
CE1	YVZ,30H,YHG,YLF,YHF		
CE3	YRD,30H,YHG,YLF,YHF		
CFA	QVN,YVB,YHG,YLF,YHF		
CFC	PGZ,YRD,YHG,YLF,YHF		
CFD	YKV,YVZ,YHG,YLF,YHF		
CFF	PGZ,YPA,YVZ,YHG,YLF,YHF		
JDT	YKV,YPA		
KGL	YKV,YVB		
PGZ	MET.MAT FIBROIN GRAY		
PVG	STITCH RED		
QVN	PRL.BLAZE ORANGE		
QVY	LTHR.BLACK		
QVZ	LTHR.GRAY		

MILLIMETER → INCH CONVERSION CHART

	0	1	2	3	4	5	6	7	8	9
00	.000	.039	.079	.118	.157	.197	.236	.276	.315	.354
10	.394	.433	.472	.512	.551	.591	.630	.669	.709	.748
20	.787	.827	.866	.906	.945	.984	1.024	1.063	1.102	1.142
30	1.181	1.220	1.260	1.299	1.339	1.378	1.417	1.457	1.496	1.535
40	1.575	1.614	1.654	1.693	1.732	1.772	1.811	1.850	1.890	1.929
50	1.969	2.008	2.047	2.087	2.126	2.165	2.205	2.214	2.283	2.323
60	2.362	2.402	2.441	2.480	2.520	2.559	2.598	2.638	2.677	2.717
70	2.756	2.795	2.835	2.874	2.913	2.953	2.992	3.031	3.071	3.110
80	3.150	3.189	3.228	3.268	3.307	3.346	3.386	3.426	3.465	3.504
90	3.543	3.583	3.622	3.622	3.701	3.740	3.780	3.819	3.858	3.896

How to read

	0	1	2	3	4
00	---	---	---	---	---
10	---	---	---	---	---
20	---	---	---	0.906	---
30	---	---	---	---	---

23 millimeters equal 0.906 inch

Contents are subject to change without notice or obligation.

FIG. 102A CYLINDER HEAD COVER (B-2)

UN125NEAM2_P74_102A
CYLINDER HEAD COVER

FIG. 103A CYLINDER HEAD (B-3)

UN125NEAM2_P74_103A
CYLINDER HEAD

FIG. 107A CYLINDER (B-4)

UN125NEAM2_P74_107A
CYLINDER

FIG. 108A CRANKCASE (B-5)

UN125NEAM2_P74_108A
CRANKCASE

FIG. 112A CRANKCASE COVER (B-6)

UN125NEAM2_P74_112A
CRANKCASE COVER

FIG. 120A CRANKSHAFT (B-7)

UN125NEAM2_P74_120A
CRANKSHAFT

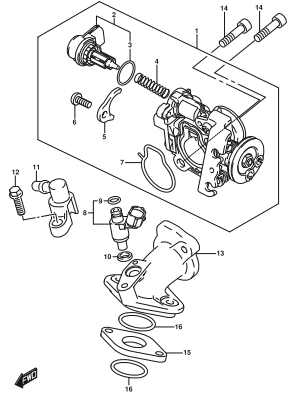
FIG. 126A CAMSHAFT/VALVE (B-8)

UN125NEAM2_P74_126A
CAMSHAFT/VALVE

FIG. 127A CAM CHAIN (B-9)

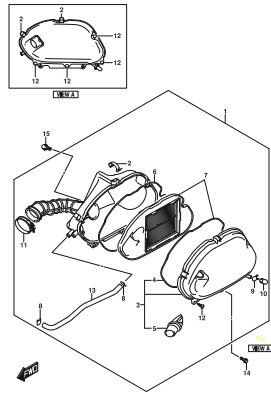
UN125NEAM2_P74_127A
CAM CHAIN

FIG. 140A THROTTLE BODY (B-10)



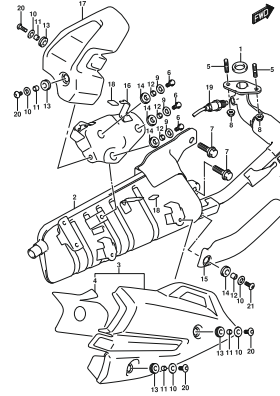
UN125NEAM2_P74_140A
THROTTLE BODY

FIG. 155A AIR CLEANER (B-11)



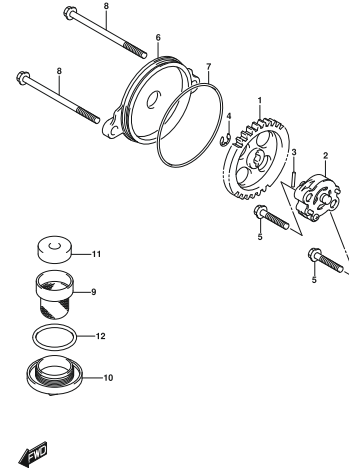
UN125NEAM2_P74_155A
AIR CLEANER

FIG. 163A MUFFLER (B-12)



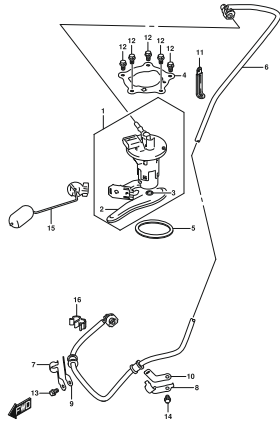
UN125NEAM2_P74_163A
MUFFLER

FIG. 170A OIL PUMP (B-13)



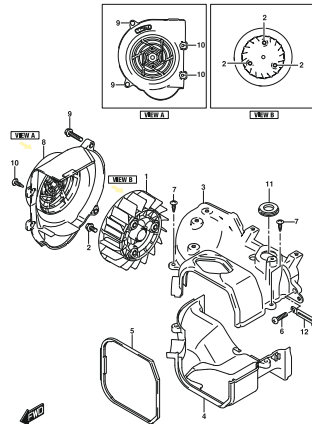
UN125NEAM2_P74_170A
OIL PUMP

FIG. 172A FUEL PUMP (B-14)



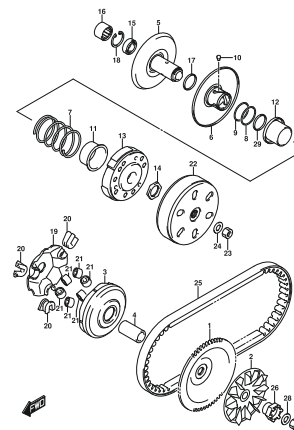
UN125NEAM2_P74_172A
FUEL PUMP

FIG. 181A COOLING FAN (B-15)



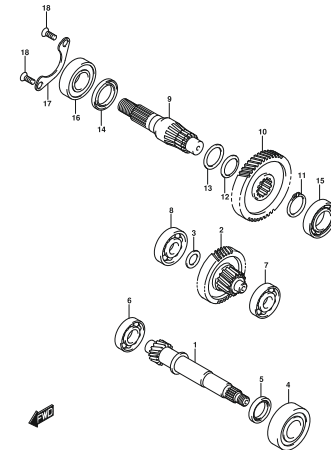
UN125NEAM2_P74_181A
COOLING FAN

FIG. 210A TRANSMISSION (1) (B-16)



UN125NEAM2_P74_210A
TRANSMISSION (1)

FIG. 211A TRANSMISSION (2) (C-2)



UN125NEAM2_P74_211A
TRANSMISSION (2)

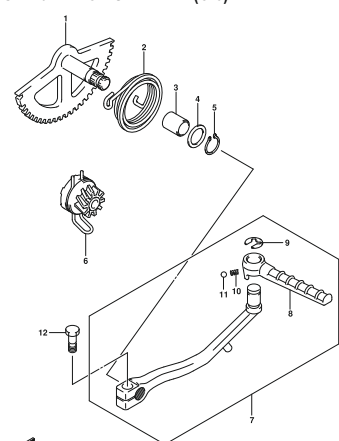
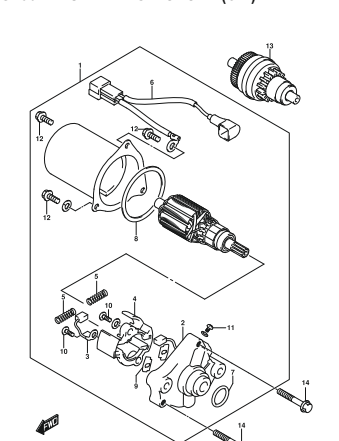
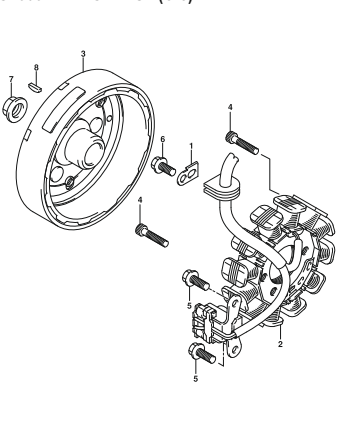
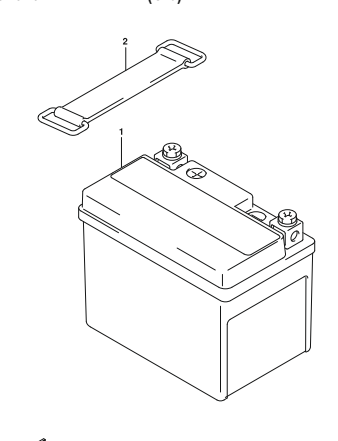
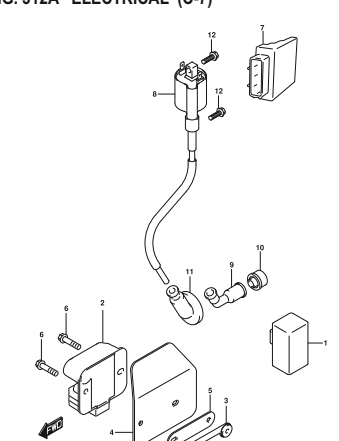
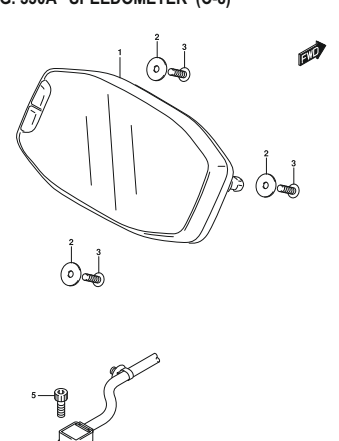
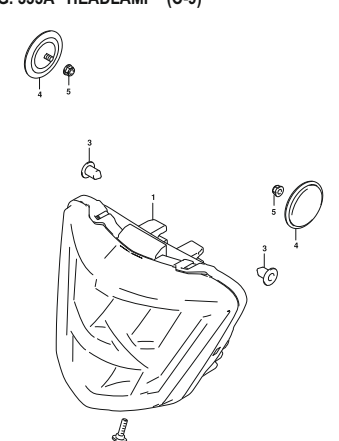
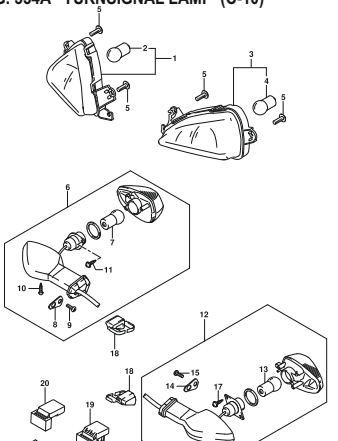
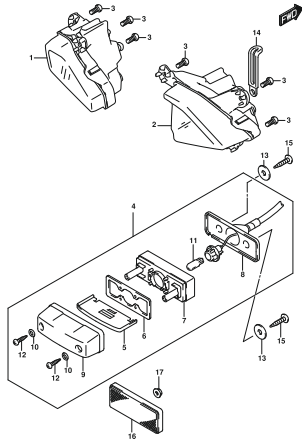
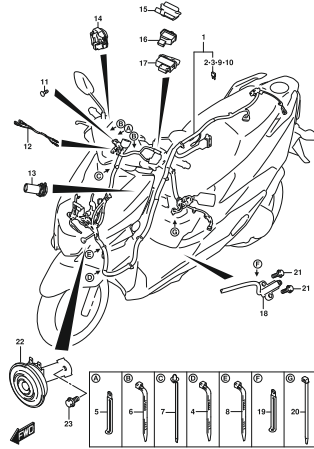
<p>FIG. 240A KICK STARTER (C-3)</p>  <p>UN125NEAM2_P74_240A KICK STARTER</p>	<p>FIG. 301A STARTING MOTOR (C-4)</p>  <p>UN125NEAM2_P74_301A STARTING MOTOR</p>	<p>FIG. 303A MAGNETO (C-5)</p>  <p>UN125NEAM2_P74_303A MAGNETO</p>	<p>FIG. 310A BATTERY (C-6)</p>  <p>UN125NEAM2_P74_310A BATTERY</p>
<p>FIG. 312A ELECTRICAL (C-7)</p>  <p>UN125NEAM2_P74_312A ELECTRICAL</p>	<p>FIG. 330A SPEEDOMETER (C-8)</p>  <p>UN125NEAM2_P74_330A SPEEDOMETER</p>	<p>FIG. 333A HEADLAMP (C-9)</p>  <p>UN125NEAM2_P74_333A HEADLAMP</p>	<p>FIG. 334A TURN SIGNAL LAMP (C-10)</p>  <p>UN125NEAM2_P74_334A TURN SIGNAL LAMP</p>

FIG. 339A REAR COMBINATION LAMP (C-11)



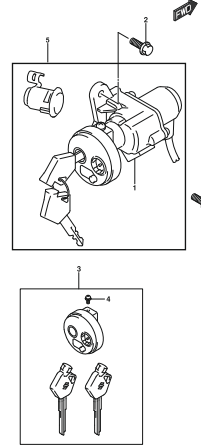
UN125NEAM2_P74_339A
REAR COMBINATION LAMP

FIG. 350A WIRING HARNESS (C-12)



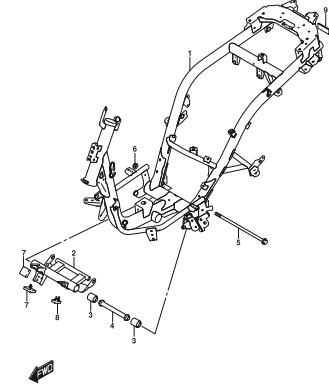
UN125NEAM2_P74_350A
WIRING HARNESS

FIG. 352A LOCK SET (C-13)



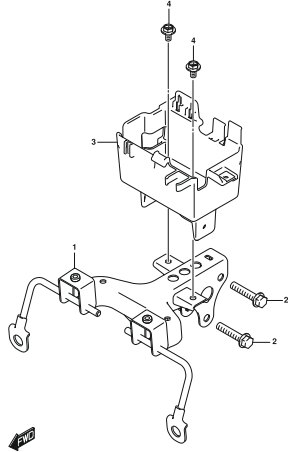
UN125NEAM2_P74_352A
LOCK SET

FIG. 401A FRAME (C-14)



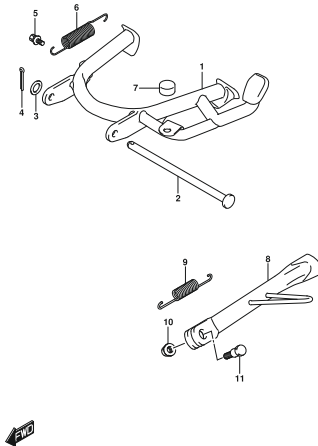
UN125NEAM2_P74_401A
FRAME

FIG. 405A BATTERY HOLDER (C-15)



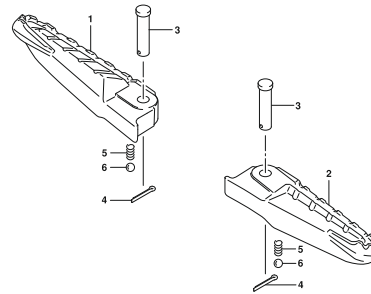
UN125NEAM2_P74_405A
BATTERY HOLDER

FIG. 407A STAND (C-16)



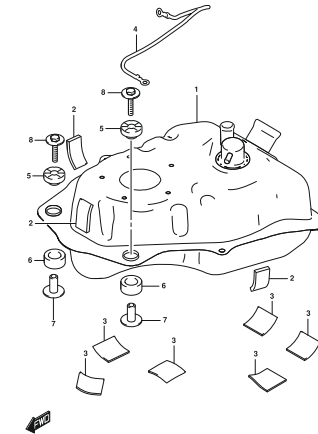
UN125NEAM2_P74_407A
STAND

FIG. 415A FOOTREST (D-2)



UN125NEAM2_P74_415A
FOOTREST

FIG. 420A FUEL TANK (D-3)



UN125NEAM2_P74_420A
FUEL TANK

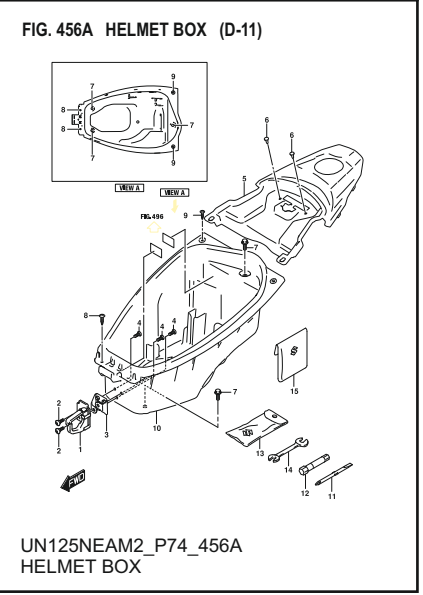
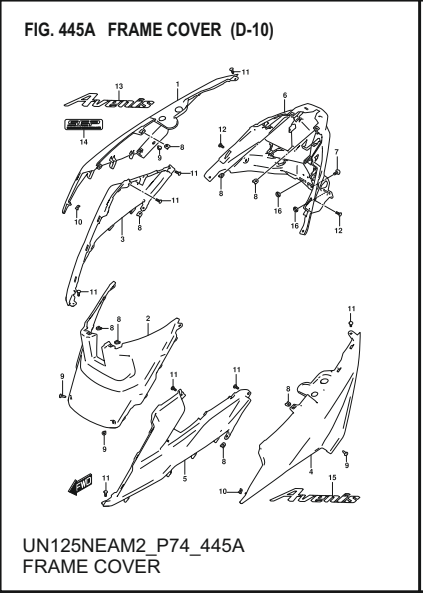
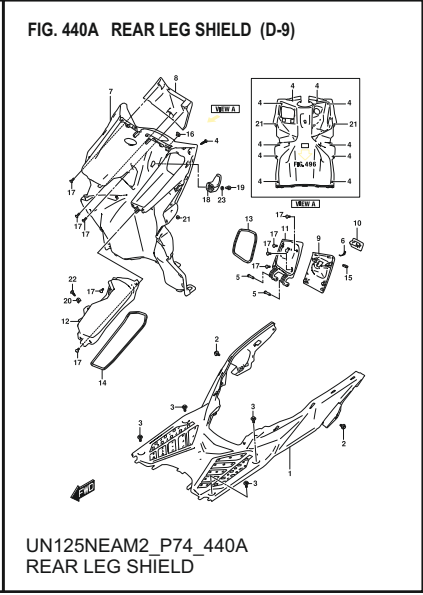
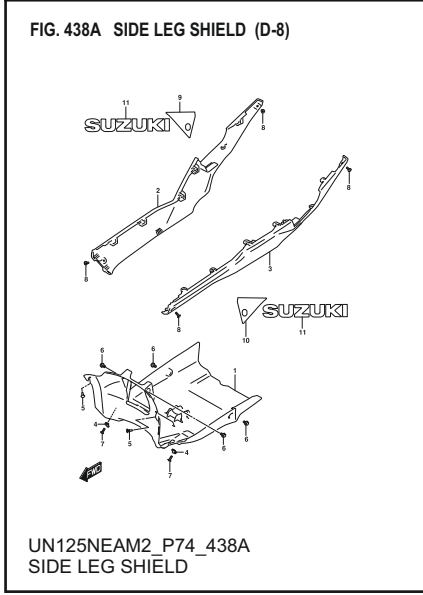
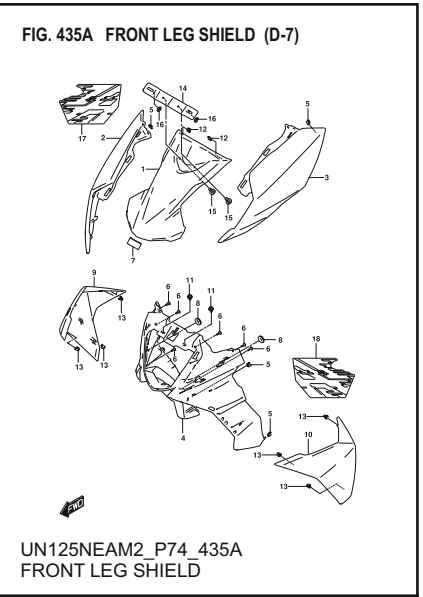
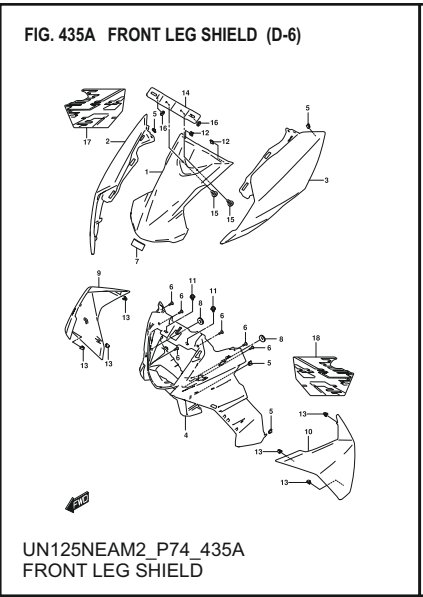
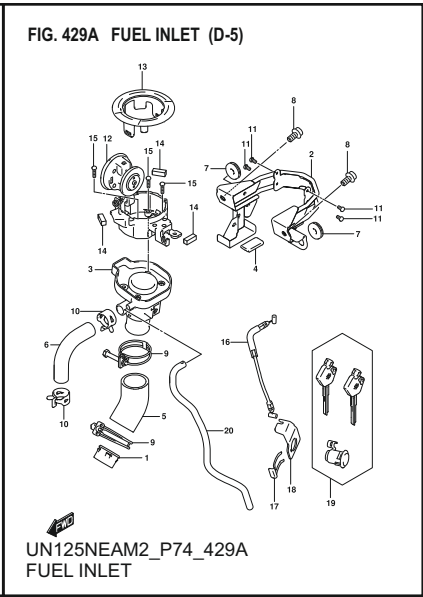
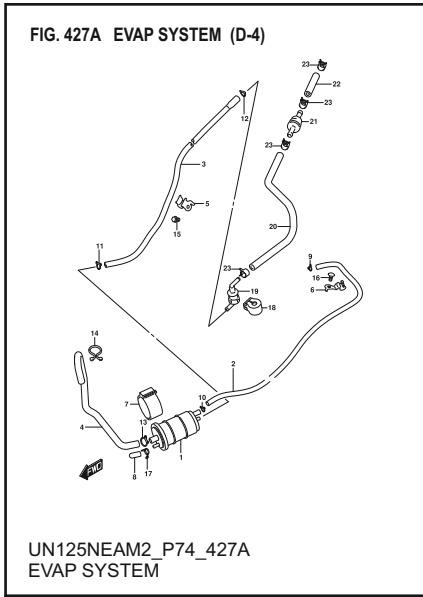
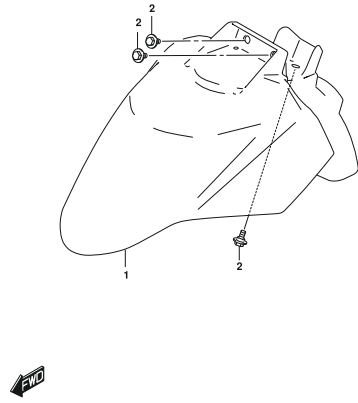
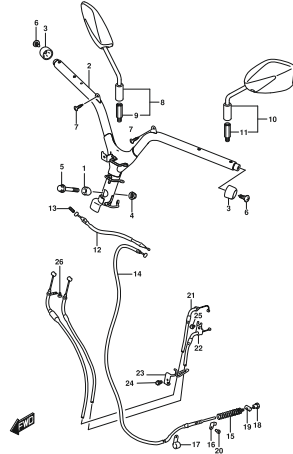


FIG. 460A FRONT FENDER (D-12)



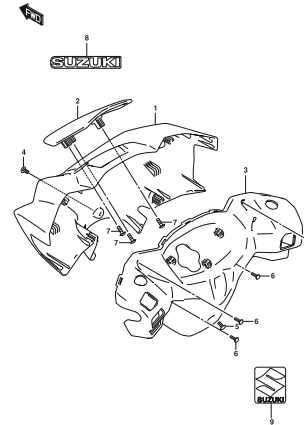
UN125NEAM2_P74_460A
FRONT FENDER

FIG. 462A HANDLEBAR (D-13)



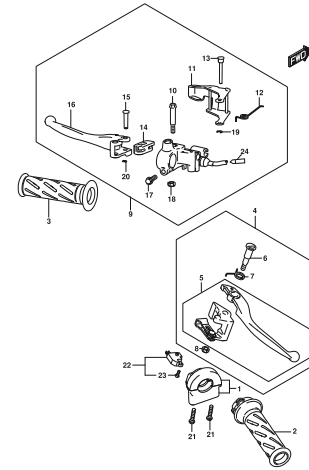
UN125NEAM2_P74_462A
HANDLEBAR

FIG. 463A HANDLE COVER (D-14)



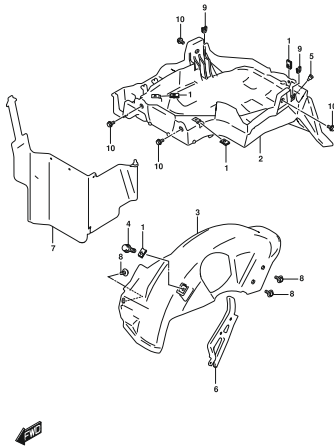
UN125NEAM2_P74_463A
HANDLE COVER

FIG. 467A HANDLE LEVER (D-15)



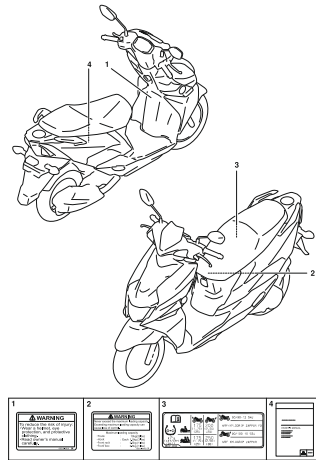
UN125NEAM2_P74_467A
HANDLE LEVER

FIG. 474A REAR FENDER (D-16)



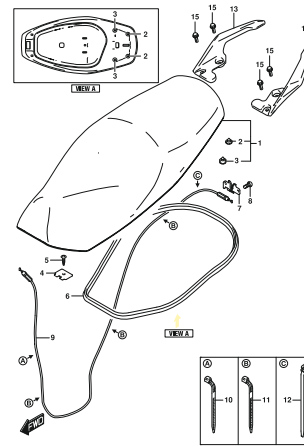
UN125NEAM2_P74_474A
REAR FENDER

FIG. 496A LABEL (E-2)



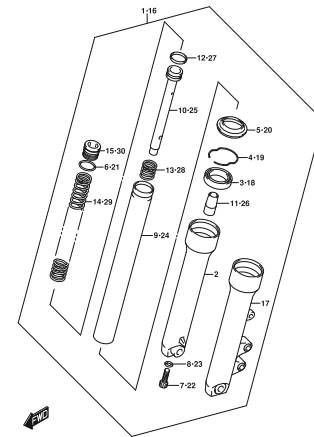
UN125NEAM2_P74_496A
LABEL

FIG. 505A SEAT (E-3)

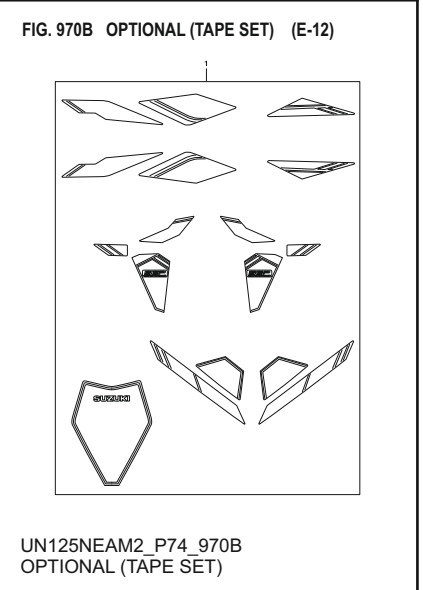
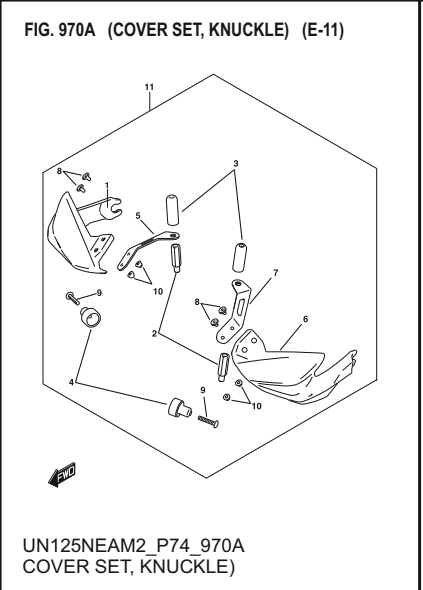
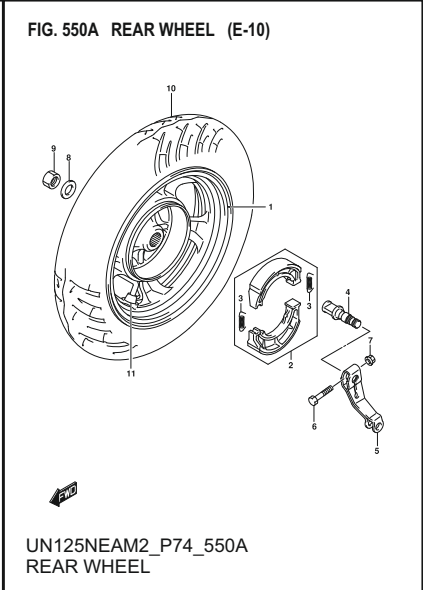
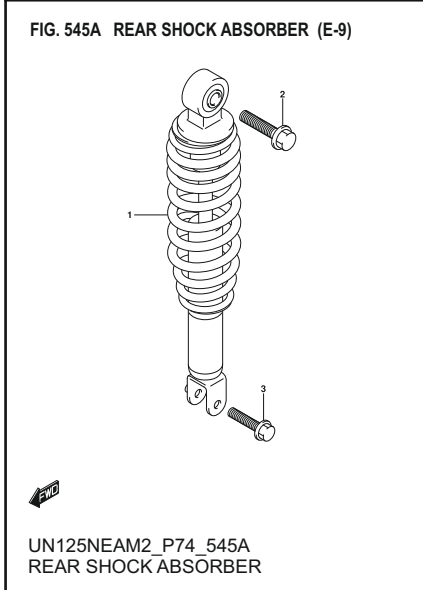
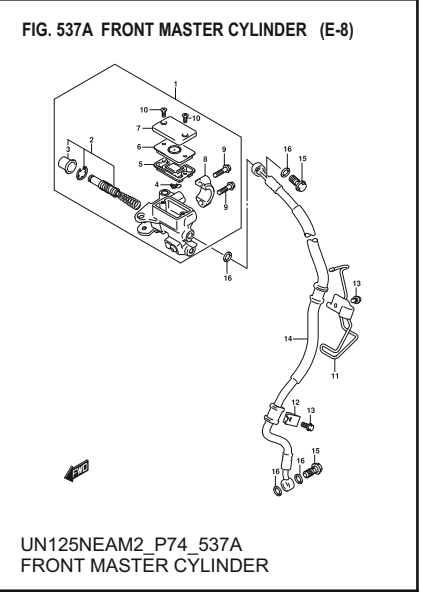
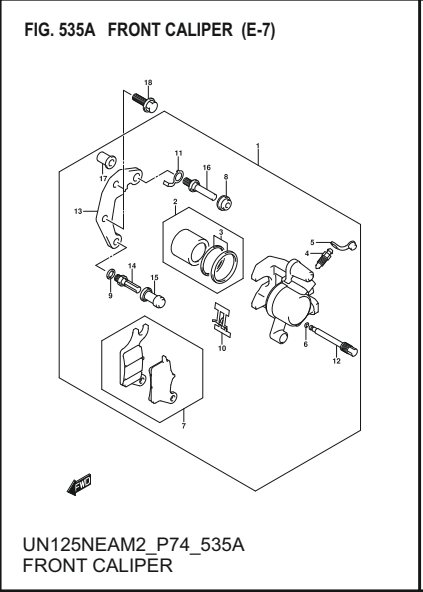
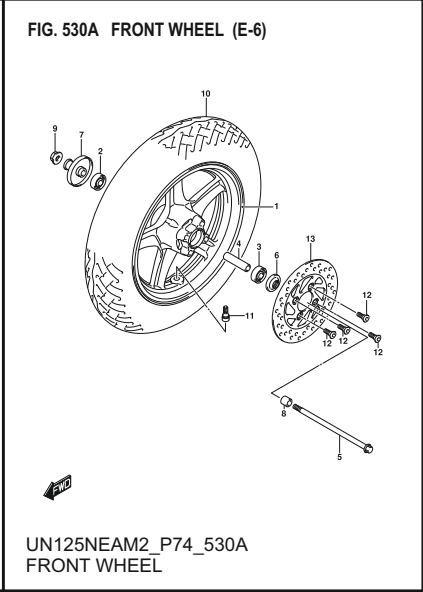
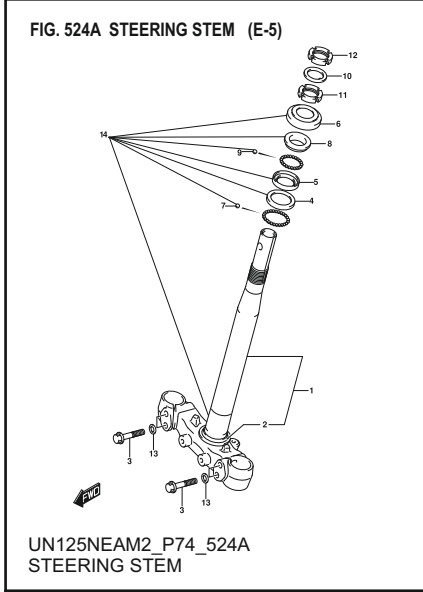


UN125NEAM2_P74_505A
SEAT

FIG. 521A FRONT FORK DAMPER (E-4)

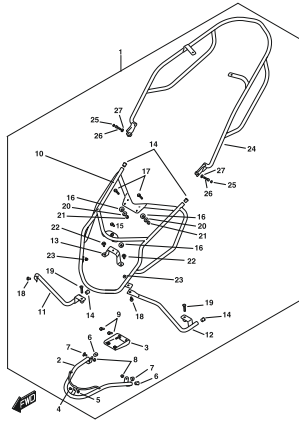


UN125NEAM2_P74_521A
FRONT FORK DAMPER



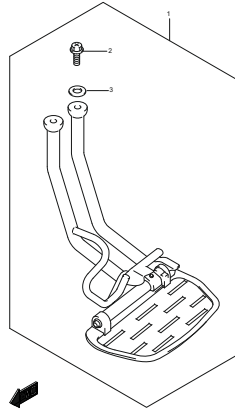
1

FIG. 970C OPTIONAL (ACCESSORY BAR SET) (E-13)



UN125NEAM2_P74_970C
OPTIONAL (ACCESSORY BAR SET)

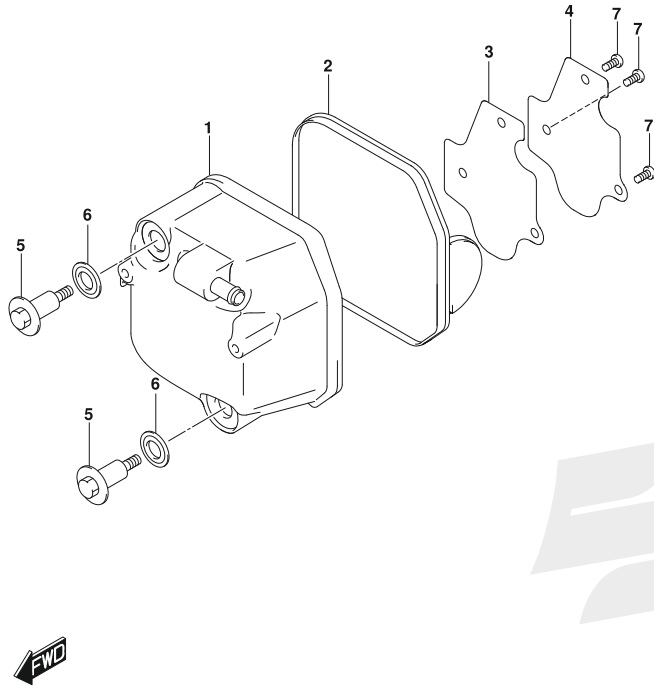
FIG. 970D OPTIONAL (TUBE SET, RR FOOTREST SIDE) (E-14)



UN125NEAM2_P74_970D
OPTIONAL (TUBE SET, RR FOOTREST SIDE)

102A

FIG. 102A (B-2) CYLINDER HEAD COVER



REF NO.	PART NO.	DESCRIPTION	QTY	REMARKS
1	11170-02L10-000	COVER,CYLINDER HEAD	1	
2	11173-02L00-000	GASKET,CYL HEAD COVER	1	
3	11176-02L00-000	PLATE,BREATHER	1	
4	11177-08K00-000	GASKET,BREATHER PLATE	1	
5	09119-06138-000	BOLT	2	
6	11191-27E70-000	WASHER (10.6X25.5X1.6)	2	
7	02112-0510A-000	SCREW	3	

2

103A

2

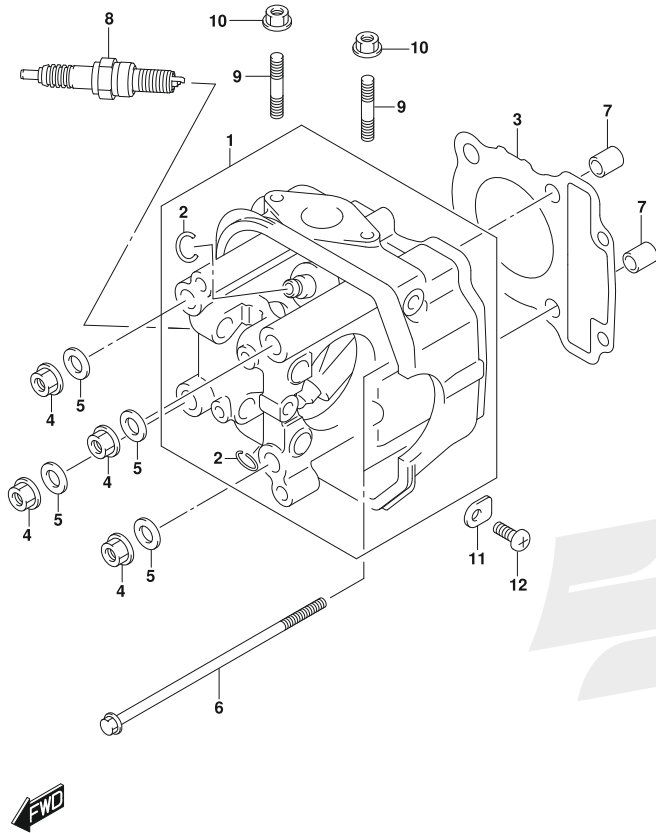
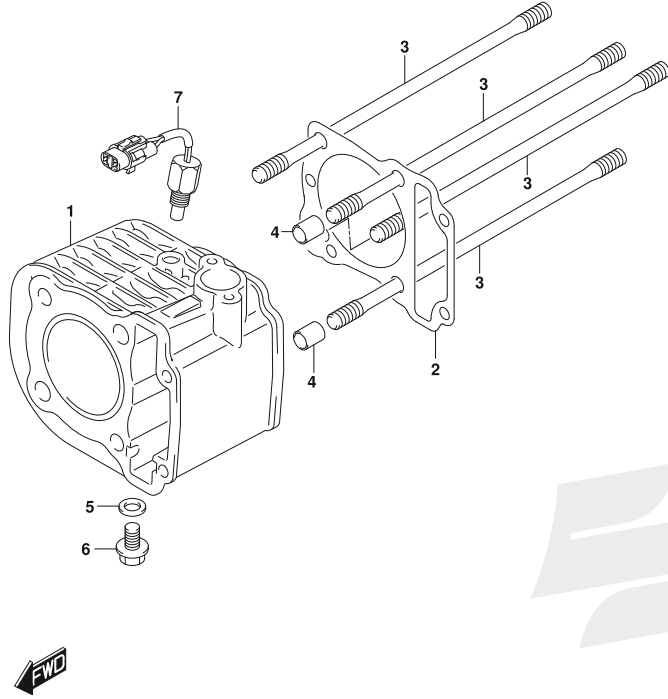


FIG. 103A (B-3) CYLINDER HEAD

REF NO.	PART NO.	DESCRIPTION	QTY	REMARKS
1	11110-02L00-000	HEAD,CYLINDER	1	
2	09381-10004-000	.RING,SNAP (10X85)	2	
3	11141-35J00-000	GASKET,CYLINDER HEAD	1	
4	08316-1008A-000	NUT	4	
5	09160-08164-000	WASHER (8.5X18X2.3)	4	
6	09103-06501-000	BOLT (6X100)	2	
7	09206-10016-000	PIN (8.2X10X13)	2	
8	09482-00645-000	SPARK PLUG (MR7E-9)	1	
9	01421-0625A-000	BOLT,STUD	2	
10	08316-1006A-000	NUT (6X12)	2	
11	24741-20A10-000	RETAINER,SHIFT CAM,R BEARING	1	
12	02112-0612A-000	SCREW	1	

107A

FIG. 107A (B-4) CYLINDER



REF NO.	PART NO.	DESCRIPTION	QTY	REMARKS
1	11210-02L00-0F0	CYLINDER	1	
2	11241-08K00-000	GASKET,CYLINDER	1	
3	09108-08302-000	STUD BOLT (L:192)	4	
4	09206-10016-000	PIN (8.2X10X13)	2	
5	09168-08008-000	GASKET (8.2X14X1)	1	
6	01550-0812A-000	BOLT	1	
7	13640-02L00-000	SENSOR,ENGINE TEMP	1	

108A

2

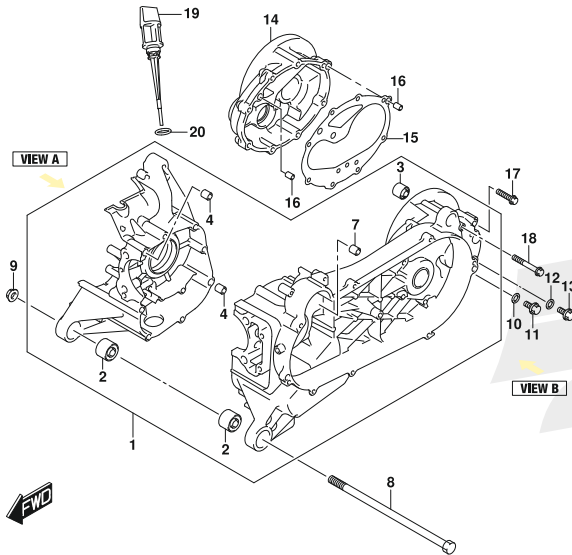
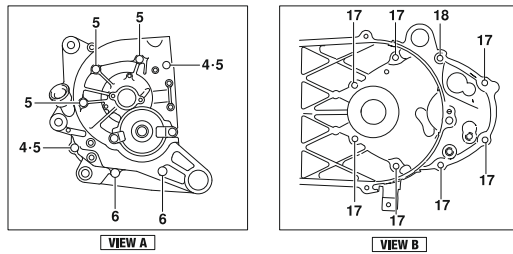
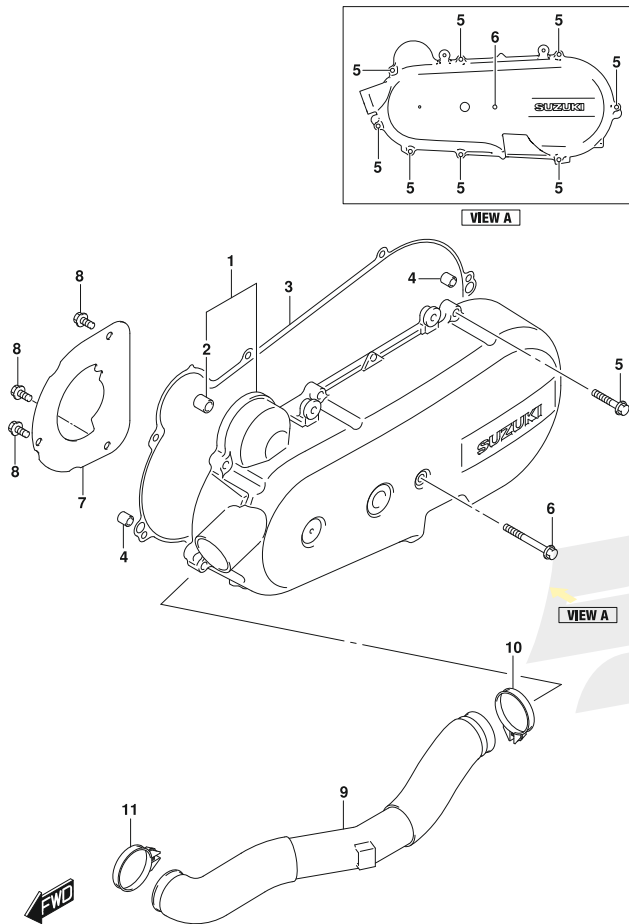


FIG. 108A (B-5) CRANKCASE

REF NO.	PART NO.	DESCRIPTION	QTY	REMARKS
1	11301-08840-000	CRANKCASE SET	1	
2	11315-39J00-000	.BUSH,ENGINE MTG	2	
3	11316-39J00-000	.BUSH,REAR SHOCK ABS	1	
4	09206-10014-000	.PIN (6.4X10X20)	2	
5	01547-0655A-000	.BOLT	5	
6	01547-0695A-000	.BOLT	2	
7	11325-09J00-000	BUSH	1	
8	11611-39J00-000	BOLT,ENG MTG (L:240)	1	
9	08316-1010A-000	NUT	1	
10	09168-08008-000	GASKET (8.2X14X1)	1	
11	01550-0812A-000	BOLT	1	
12	09168-08008-000	GASKET (8.2X14X1)	1	
13	01550-0812A-000	BOLT	1	
14	11430-39840-000	COVER SET, GEAR BOX	1	
15	11484-39J30-000	GASKET,GEAR BOX COVER	1	
16	09206-08008-000	PIN (6.3X8X12)	2	
17	01547-0630A-000	BOLT	7	
18	01547-0655A-000	BOLT	1	
19	11971-09J00-000	GAUGE,OIL LEVEL	1	
20	09280-17003-000	O-RING (D:3.1,ID:16.8)	1	

112A

FIG. 112A (B-6) CRANKCASE COVER



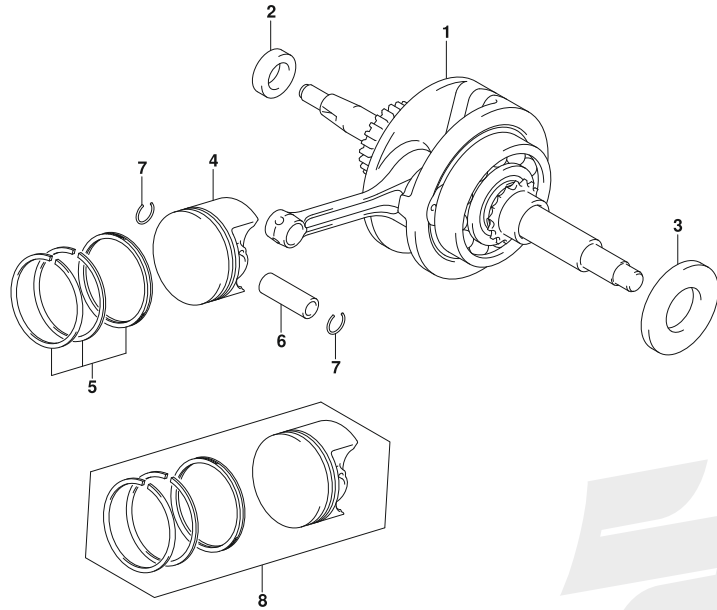
REF NO.	PART NO.	DESCRIPTION	QTY	REMARKS
1	11340-08K40-000	COVER,CLUTCH	1	
2	11325-09J00-000	.BUSH	1	
3	11482-08K00-000	GASKET,CLUTCH COVER (NA)	1	
4	09206-08008-000	PIN (6.3X8X12)	2	
5	01547-0625A-000	BOLT	8	
6	01547-0690A-000	BOLT	1	
7	11346-08K00-000	PLATE,CLUTCH COVER AIR INTAKE	1	
8	01547-0612A-000	BOLT	3	
9	11383-39J10-000	DUCT,BELT COOLING INLET	1	
10	09402-46209-000	CLAMP	1	
11	09402-42001-000	CLAMP	1	

2

120A

FIG. 120A (B-7) CRANKSHAFT

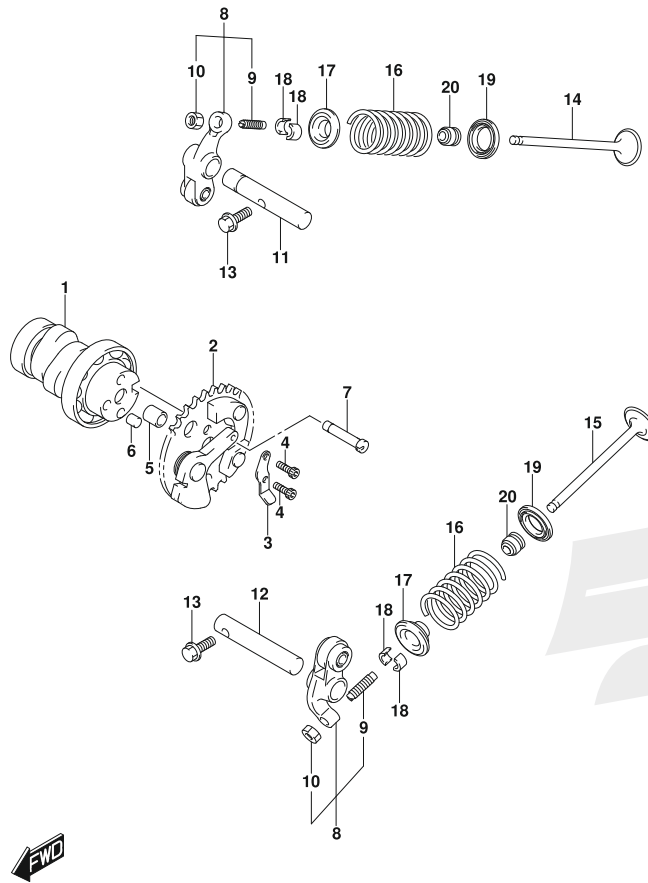
2



REF NO.	PART NO.	DESCRIPTION	QTY	REMARKS
1	12200-08K51-000	CRANKSHAFT ASSY	1	
2	09283-16L03-000	SEAL,OIL (20.5X32X5)	1	
3	12227-08K00-000	SEAL,CRANKSHAFT OIL,L	1	
4	12111-08K10-0F0	PISTON	1	
5	12140-08K50-000	RING SET,PISTON	1	
6	12151-43J00-000	PIN,PISTON	1	
7	09381-12001-000	SNAP RING	2	
8	12100-08K60-050	PISTON SET,OS 0.5	1	

126A

FIG. 126A (B-8) CAMSHAFT/VALVE



REF NO.	PART NO.	DESCRIPTION	QTY	REMARKS
1	12710-02L00-000	CAMSHAFT	1	
2	12740-08K00-000	SPROCKET,CAMSHAFT (NT:34)	1	
3	12714-34J10-000	WASHER,SPROCKET (NT:26)	1	
4	09106-05028-000	BOLT (5X15)	2	
5	09206-08008-000	PIN (6.3X8X12)	1	
6	09261-05005-000	PIN (5X8)	1	
7	12951-08K00-000	CAM,DECOMPRESSION	1	
8	12840-43J00-000	ARM ASSY,VALVE ROCKER	2	
9	12842-34J00-000	.SCREW,TAPPET ADJUSTING (NT:24)	2	
10	12843-27A70-000	.NUT,TAPPET ADJUSTING	2	
11	12861-35J00-000	SHAFT,VALVE ROCKER ARM INTAKE	1	
12	12871-35J00-000	SHAFT,VALVE ROCKER ARM EXHAUST	1	
13	01550-0512A-000	BOLT	2	
14	12911-43J00-000	VALVE,INTAKE	1	
15	12912-02L00-000	VALVE,EXHAUST	1	
16	12921-43J00-000	SPRING,VALVE	2	
17	12931-09G20-000	RETAINER,VALVE SPRING	2	
18	12932-09G10-000	COTTER VALVE (NT:23)	4	
19	12933-09G00-000	SEAT,VALVE SPRING	2	
20	09289-05019-000	SEAL,OIL (4X10X8)	2	

2

127A

2

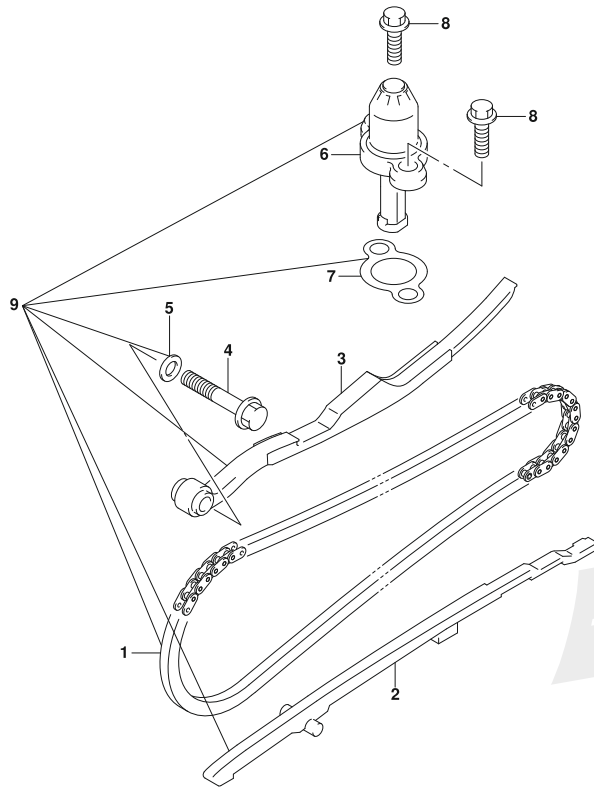
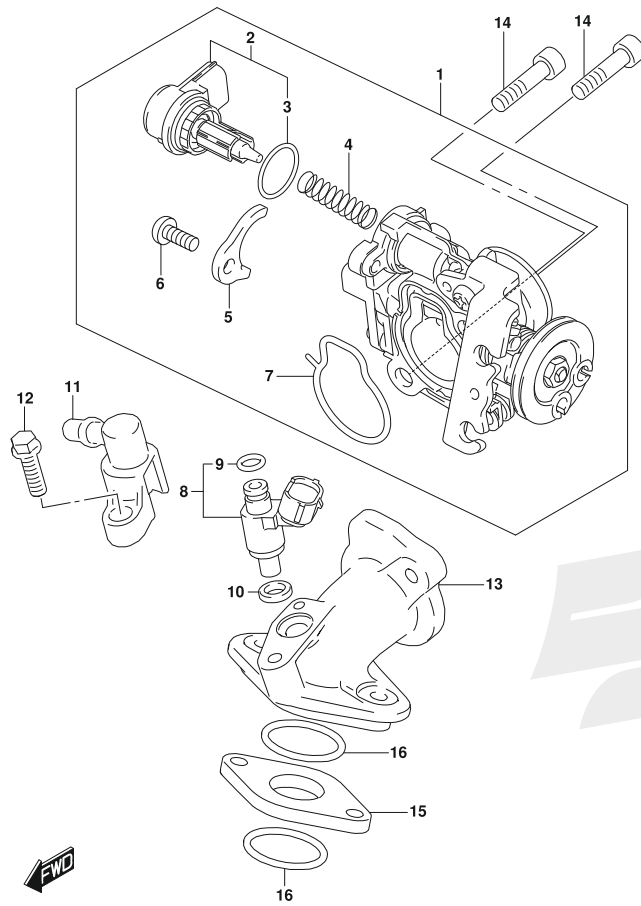


FIG. 127A (B-9) CAM CHAIN

REF NO.	PART NO.	DESCRIPTION	QTY	REMARKS
1	12760-08K10-000	CHAIN,CAMSHAFT DRIVE	1	
2	12771-08K00-000	GUIDE,CAM CHAIN	1	
3	12811-08K10-000	TENSIONER,CAM CHAIN	1	
4	09103-06247-000	BOLT (6X32)	1	
5	09168-06004-000	GASKET (6.2X11X1.2)	1	
6	12830-42K00-000	ADJUSTER ASSY,TENSIONER	1	
7	12837-39J20-000	GASKET,TENSIONER ADJUSTER (NA)	1	
8	01547-0620A-000	BOLT	2	
9	12800-42810-000	ENGINE TIMING KIT	1	

140A

FIG. 140A (B-10) THROTTLE BODY

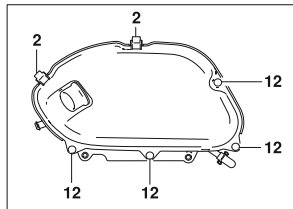


REF NO.	PART NO.	DESCRIPTION	QTY	REMARKS
1	13400-02L10-000	BODY ASSY,THROTTLE	1	
2	18117-10K00-000	.STEPPING MOTOR	1	
3	13438-09JA0-000	.O RING	1	
4	13417-02L00-000	.SPRING	1	
5	13421-02L00-000	.PLATE	1	
6	13602-02L00-000	.SCREW	2	
7	13295-02L00-000	.O RING	2	
8	15710-02L00-000	INJECTOR ASSY,FUEL	1	
9	15716-42J00-000	.O-RING	1	
10	15722-02L00-000	SEAL	1	
11	15830-02L00-000	JOINT,FUEL HOSE	1	
12	01547-0620A-000	BOLT	1	
13	13111-02L00-000	PIPE,INTAKE	1	
14	07130-0625A-000	BOLT	2	
15	13128-08K01-000	INSULATOR,INTAKE PIPE	1	
16	09280-26017-000	O-RING (D:2.4,ID:25.7)	2	

2

155A

2



VIEW A

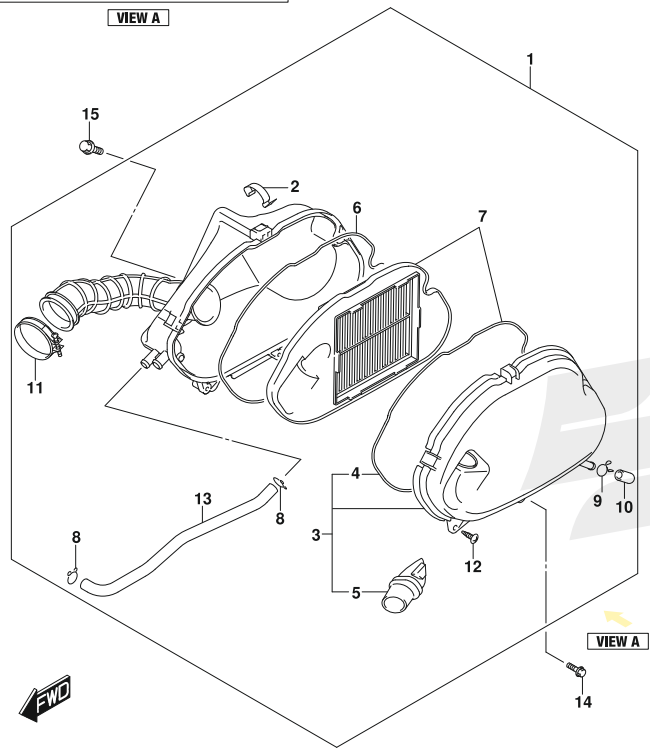


FIG. 155A (B-11) AIR CLEANER

REF NO.	PART NO.	DESCRIPTION	QTY	REMARKS
1	13700-02L20-000	CLEANER ASSY,AIR	1	
2	13755-54G00-000	.CLIP,AIR CLEANER	2	
3	13740-02L20-000	.CAP,AIR CLEANER	1	
4	13746-08K00-000	.GASKET	1	
5	13891-08K00-000	..TUBE,INLET	1	
6	13746-08K00-000	.GASKET	1	
7	13700-02810-000	AIR FILTER KIT	1	
8	09401-12418-000	.CLIP	2	
9	13825-08K00-000	.CLIP	2	
10	13871-41H00-000	.PLUG,DRAIN	2	
11	13856-02L10-000	.CLAMP	1	
12	03541-0520A-000	.SCREW	4	
13	13850-02L10-000	.TUBE,BRETHER	1	
14	09116-06103-000	BOLT (6X30)	2	
15	63115-08K00-000	BOLT,REAR FENDER LOWER	1	

UN125NEAM2_P74_155A
AIR CLEANER

163A

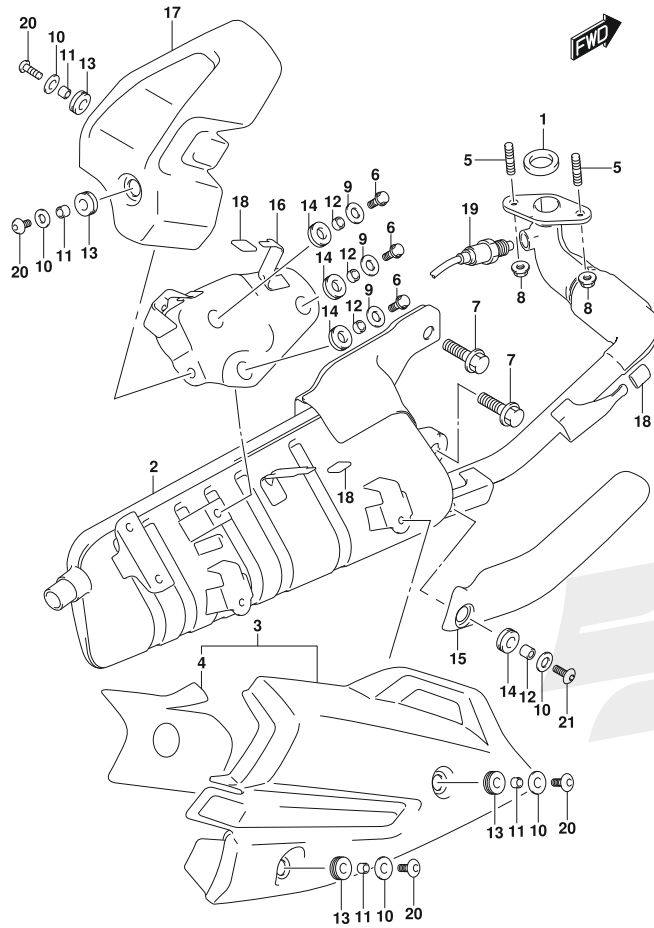


FIG. 163A (B-12) MUFFLER

REF NO.	PART NO.	DESCRIPTION	QTY	REMARKS
1	14181-30A30-000	GASKET,EXH PIPE	1	
2	14310-14L20-000	BODY,MUFFLER	1	
3	14780-44K10-000	COVER,MUFFLER	1	
4	14782-44K00-000	.SHIELD,MUF COVER	1	
5	01421-0616A-000	BOLT,STUD	2	
6	01550-0616A-000	BOLT	3	
7	01550-1040A-000	BOLT	2	
8	08316-1006A-000	NUT (6X12)	2	
9	09160-06028-000	WASHER (6.5X18X1.0)	3	
10	09160-06151-000	WASHER (6.5X18X1)	5	
11	09180-06256-000	SPACER (6.5X9X5.7)	4	
12	09180-06343-000	SPACER	4	
13	09320-08L02-000	CUSHION	4	
14	09320-08082-000	CUSHION	4	
15	14180-44K10-000	COVER,EXH PIPE	1	
16	14760-44K01-000	STAY,MUF RR COV	1	
17	14791-44K30-000	COVER,MUF TAIL	1	
18	14795-10FA0-000	GROMMET	3	
19	18213-12K10-000	SENSOR,OXYGEN	1	
20	09139-06217-000	SCREW (6X16)	4	
21	01550-0616B-000	BOLT	1	

2

170A

2

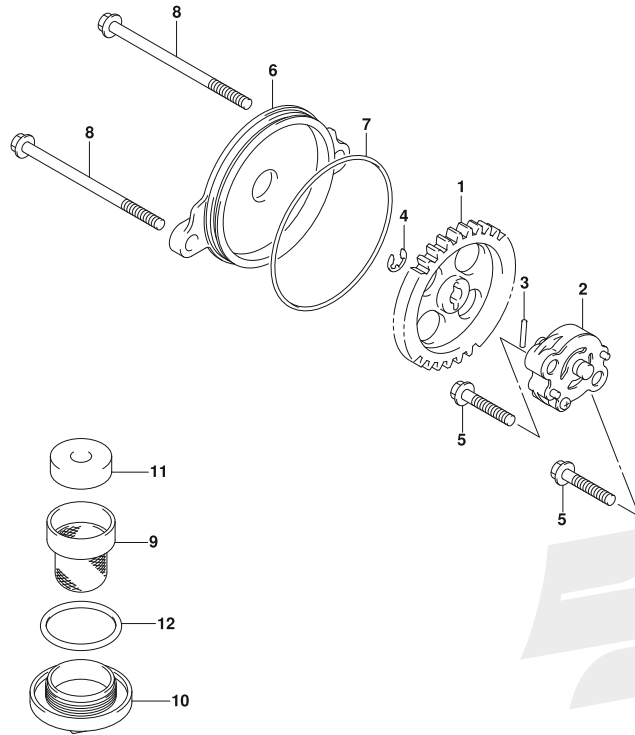


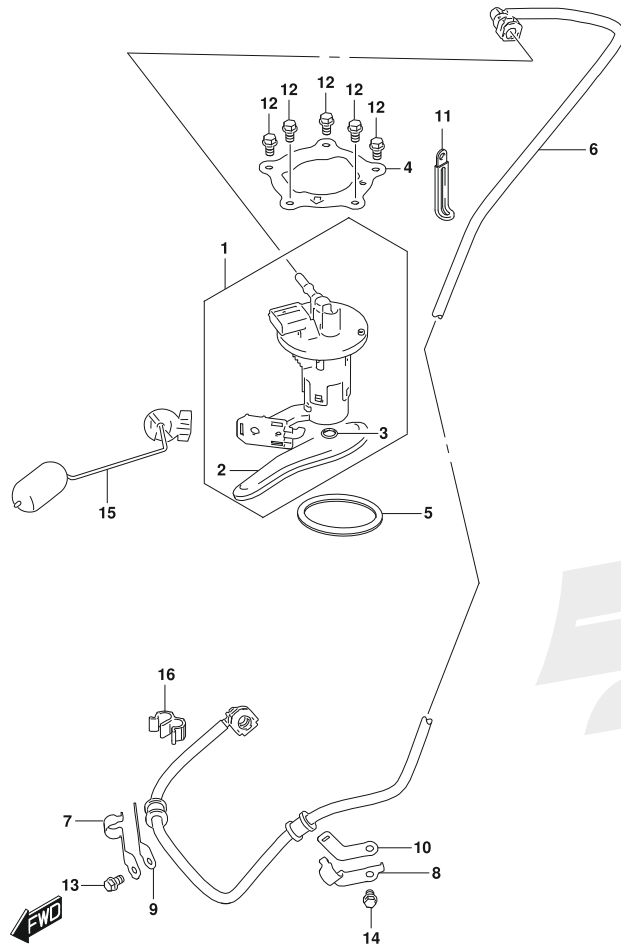
FIG. 170A (B-13) OIL PUMP

REF NO.	PART NO.	DESCRIPTION	QTY	REMARKS
1	16331-08K00-000	GEAR,OIL PUMP DRIVEN (NT:43)	1	
2	16400-08K00-000	PUMP ASSY,ENG OIL	1	
3	16421-20E00-000	PIN	1	
4	08332-11059-000	E RING	1	
5	01547-0625A-000	BOLT	2	
6	16422-09J00-000	COVER,OIL PUMP	1	
7	16423-09J00-000	O-RING,OIL PUMP COVER	1	
8	01547-0680A-000	BOLT	2	
9	16520-09J00-000	STRAINER,ENG OIL	1	
10	16523-09J00-000	CAP,OIL STRAINER	1	
11	16526-09J00-000	PLUG,OIL STRAINER	1	
12	16525-09J00-000	O-RING	1	

UN125NEAM2_P74_170A
OIL PUMP

172A

FIG. 172A (B-14) FUEL PUMP

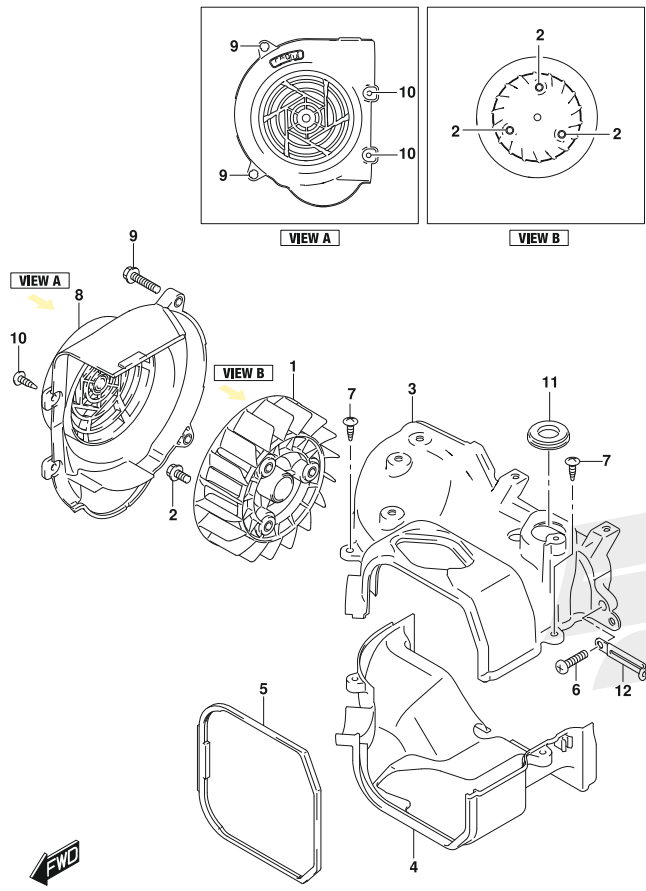


REF NO.	PART NO.	DESCRIPTION	QTY	REMARKS
1	15100-02L00-000	PUMP ASSY, FUEL	1	
2	15420-02L00-000	.FILTER	1	
3	15424-09JB0-000	.O-RING	1	
4	15121-02L10-000	PLATE,FUEL PUMP	1	
5	15201-02L00-000	O-RING,FUEL PUMP	1	
6	15810-02L01-000	HOSE,FUEL	1	
7	15891-02L00-000	CLAMP,FUEL HOSE FR	1	
8	15892-02L00-000	CLAMP,FUEL HOSE RR	1	
9	15893-02L00-000	CLAMP,FUEL HOSE RR NO.2	1	
10	15894-02L00-000	CLAMP,FUEL HOSE RR NO.2	1	
11	09404-06429-000	CLAMP (L:45)	1	
12	01547-0610A-000	BOLT	5	
13	01547-0610A-000	BOLT	1	
14	01547-0610A-000	BOLT	1	
15	34810-14L00-000	GAUGE ASSY,FUEL LEVEL SENDER	1	
16	09408-00349-000	CLAMP	1	

2

181A

FIG. 181A (B-15) COOLING FAN



REF NO.	PART NO.	DESCRIPTION	QTY	REMARKS
1	17110-09J50-000	FAN,COOLING	1	
2	01550-0612A-000	BOLT	3	
3	17120-02L00-000	COWLING,CYLINDER UPPER	1	
4	17122-02L00-000	COWLING,CYLINDER LOWER	1	
5	17123-08K00-000	MOLD,CYLINDER COWLING	1	
6	01547-0625A-000	BOLT	1	
7	03541-0516A-000	SCREW	2	
8	17130-02L00-000	COWLING,FAN	1	
9	01547-0625A-000	BOLT	2	
10	03541-0516A-000	SCREW	2	
11	17124-02L00-000	MOLD,TENSIONER ADJUSTER	1	
12	09404-06429-000	CLAMP (L:45)	1	

210A

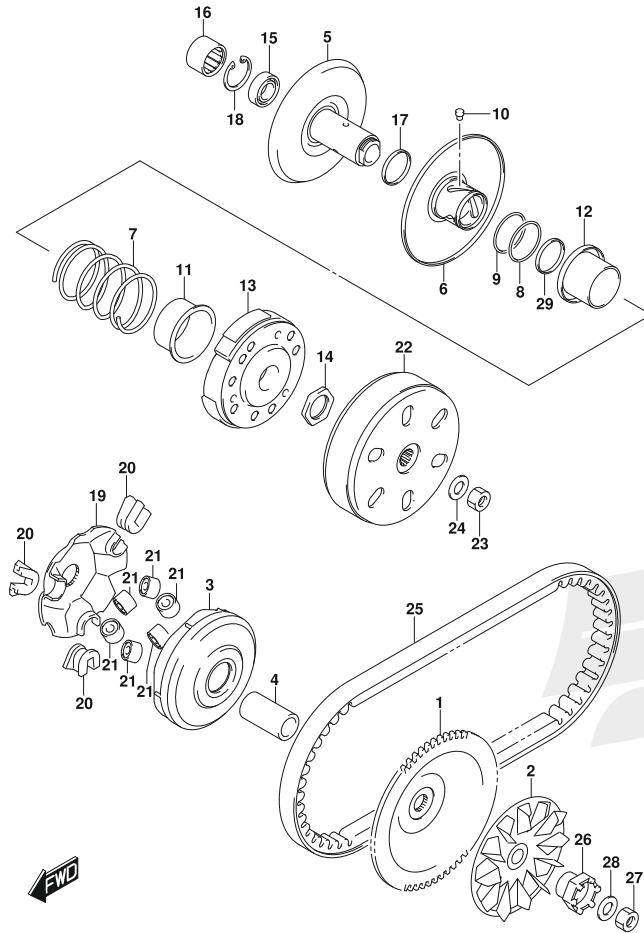


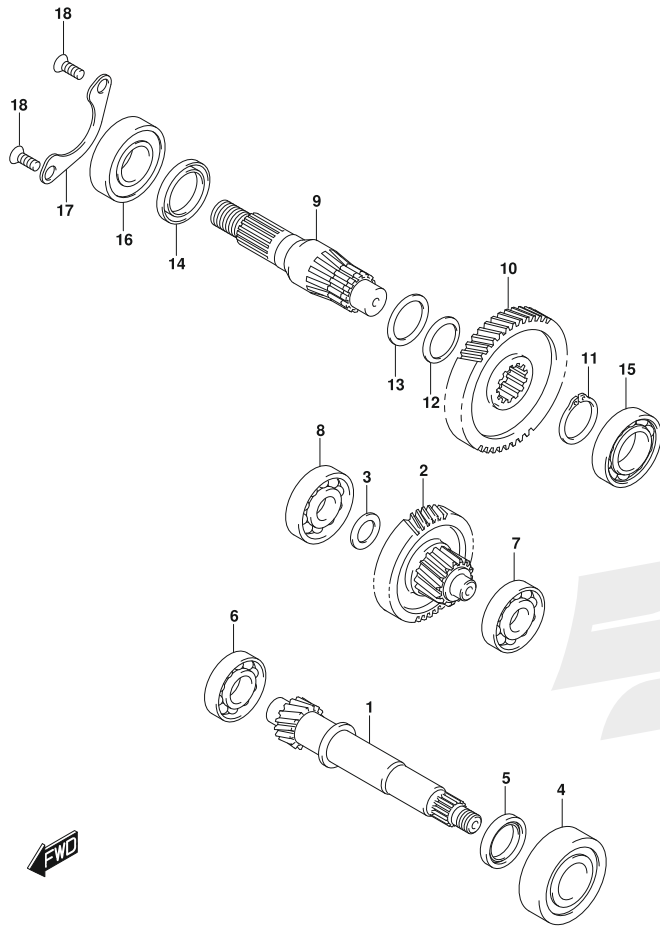
FIG. 210A (B-16) TRANSMISSION (1)

REF NO.	PART NO.	DESCRIPTION	QTY	REMARKS
1	21111-08K00-000	FACE, FIXED DRIVE	1	
2	21113-39J10-000	FAN, FIXED DRIVE	1	
3	21120-33G70-000	FACE, MOVABLE DRIVE	1	
4	21125-33G00-000	SPACER, MOVABLE DRIVE	1	
5	21210-08K10-000	FACE, FIXED DRIVEN	1	
6	21240-08K10-000	FACE, MOVABLE DRIVEN	1	
7	21243-08K00-000	SPRING, MOVABLE DRIVEN	1	
8	21245-09J00-000	O-RING, MOVABLE DRIVEN	1	
9	21246-08K00-000	O-RING, MOVABLE DRIVEN	1	
10	21248-08K00-000	PIN, MOVABLE DRIVEN	3	
11	21472-08K00-000	SHEET, CLUTCH DRIVE PLATE	1	
12	21471-08K00-000	SHEET, MOVABLE DRIVEN	1	
13	21501-08K10-000	CLUTCH ASSY, SHOE	1	
14	21518-09J00-000	NUT, SHOE CLUTCH	1	
15	21215-08K10-000	BEARING, FIXED DRIVEN, L	1	
16	21214-08K00-000	BEARING, FIXED DRIVEN, R	1	
17	21247-08K00-000	SEAL, MOVABLE DRIVEN OIL	1	
18	21216-08K00-000	CIRCLIP, FIXED DRIVEN	1	
19	21431-33G00-000	PLATE, MOVABLE DRIVE	1	
20	21481-08K00-000	DAMPER, MOVABLE DRIVE PLATE	3	
21	21650-08K10-000	ROLLER, MOVABLE DRIVE	6	
22	21220-08K10-000	HOUSING, CLUTCH	1	
23	09140-12055-000	NUT	1	
24	08211-12223-000	WASHER	1	
25	27601-08K10-000	V-BELT, DRIVE	1	
26	26231-08K00-000	STARTER, KICK, R	1	
27	09140-12055-000	NUT	1	
28	08211-12223-000	WASHER	1	
29	21247-08K00-000	SEAL, MOVABLE DRIVEN OIL	1	

211A

FIG. 211A (C-2) TRANSMISSION (2)

2

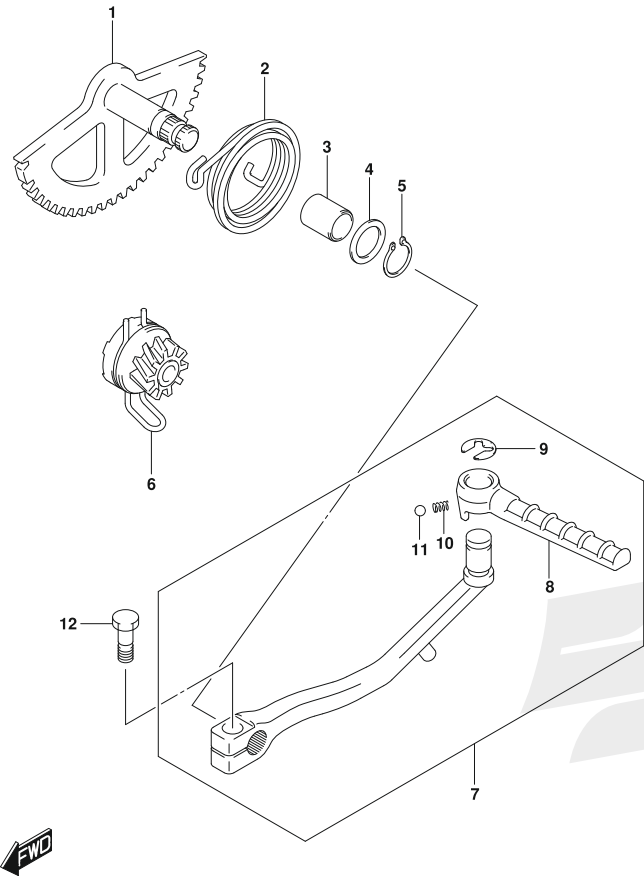


REF NO.	PART NO.	DESCRIPTION	QTY	REMARKS
1	24131-33G80-000	SHAFT,DRIVE (NT:17)	1	
2	24150-39J40-000	SHAFT,IDLE (NT:13/42)	1	
3	09181-12167-000	SHIM (12X20X1)	1	
4	09262-20171-000	BEARING (20X47X14)	1	
5	09283-20069-000	SEAL,OIL (19X28X5)	1	
6	08110-6202A-000	BEARING (15X35X11)	1	
7	09262-12034-000	BEARING (12X32X10)	1	
8	09262-12035-000	BEARING (12X28X8)	1	
9	24141-08K10-000	SHAFT,REAR AXLE	1	
10	24371-39J10-000	GEAR,FINAL DRIVEN (NT:45)	1	
11	08331-31249-000	CIRCLIP	1	
12	24142-08K00-000	WASHER,FINAL DRIVEN GEAR	1	
13	09181-25051-000	SHIM (T:0.60)	1	
14	09283-29007-000	SEAL,OIL	1	
15	08110-62030-000	BEARING	1	
16	09262-22041-000	BEARING (22X50X14)	1	
17	24751-09J00-000	RETAINER,DRIVE SHAFT BEARING	1	
18	02122-0616A-000	SCREW	2	

UN125NEAM2_P74_211A
TRANSMISSION (2)

240A

FIG. 240A (C-3) KICK STARTER



REF NO.	PART NO.	DESCRIPTION	QTY	REMARKS
1	26210-08K00-000	SHAFT,KICK STARTER (NT:56)	1	
2	26212-46G00-000	SPRING,KICK STARTER SHAFT	1	
3	26213-39J00-000	BUSH,KICK SHAFT	1	
4	09160-14053-000	WASHER (14.5X22X0.8)	1	
5	08331-31149-000	CIRCLIP	1	
6	26200-39J00-000	GEAR ASSY,KICK STARTER DRIVEN (NT:10)	1	
7	26300-08K00-000	LEVER ASSY,KICK STARTER	1	
8	26351-08K00-000	.PEDAL,KICK STARTER	1	
9	09383-08002-000	.E RING	1	
10	09440-05005-000	.SPRING	1	
11	06112-07004-000	.BALL	1	
12	26314-33G30-000	BOLT,KICK STARTER LEVER	1	

2

301A

2

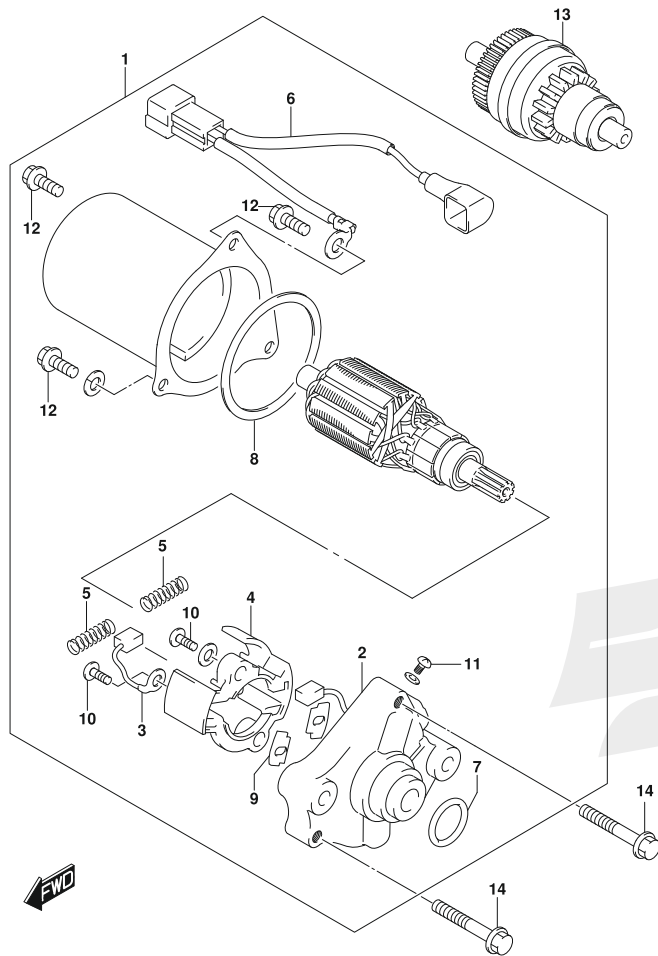


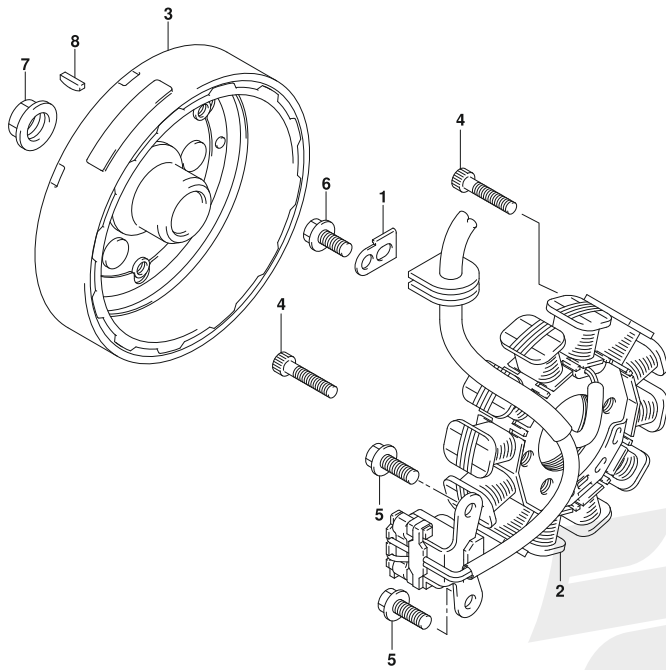
FIG. 301A (C-4) STARTING MOTOR

REF NO.	PART NO.	DESCRIPTION	QTY	REMARKS
1	31100-08K21-000	MOTOR ASSY,STARTING	1	
2	31130-08K20-000	.HOLDER ASSY,STARTING	1	
3	31131-08K20-000	.BRUSH,UNIT	2	
4	31132-08K20-000	.HOLDER,BRUSH	1	
5	31135-08K20-000	.SPRING	2	
6	31142-08K20-000	.WIRE,STARTER MOTOR	1	
7	31156-32G00-000	.O RING	1	
8	31157-08K20-000	.GASKET	1	
9	31173-08K20-000	.INSULATOR,BRUSH	1	
10	02112-3406A-000	.SCREW	2	
11	02112-3408A-000	.SCREW	1	
12	02112-3512A-000	.SCREW	3	
13	31370-32G01-000	PINION ASSY,STARTING MOTOR	1	
14	01547-0630A-000	BOLT	2	

UN125NEAM2_P74_301A
00000

303A

FIG. 303A (C-5) MAGNETO



REF NO.	PART NO.	DESCRIPTION	QTY	REMARKS
1	31497-39J00-000	CLAMP,MAGNETO LEAD	1	
2	32101-02L00-000	STATOR ASSY	1	
3	32102-02L00-000	ROTOR ASSY	1	
4	07130-0625A-000	BOLT	2	
5	07130-0612A-000	BOLT	2	
6	07130-0612A-000	BOLT	1	
7	08316-1010A-000	NUT	1	
8	08341-31039-000	KEY	1	

2



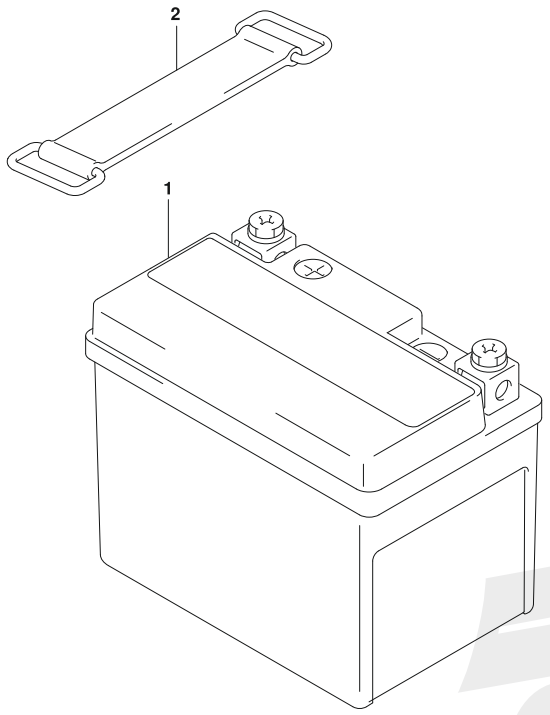
UN125NEAM2_P74_303A
MAGNETO

310A

FIG. 310A (C-6) BATTERY

REF NO.	PART NO.	DESCRIPTION	QTY	REMARKS
1	33610-39J30-000	BATTERY ASSY	1	(NON-SERVICEABLE)
2	09462-00043-000	BAND	1	

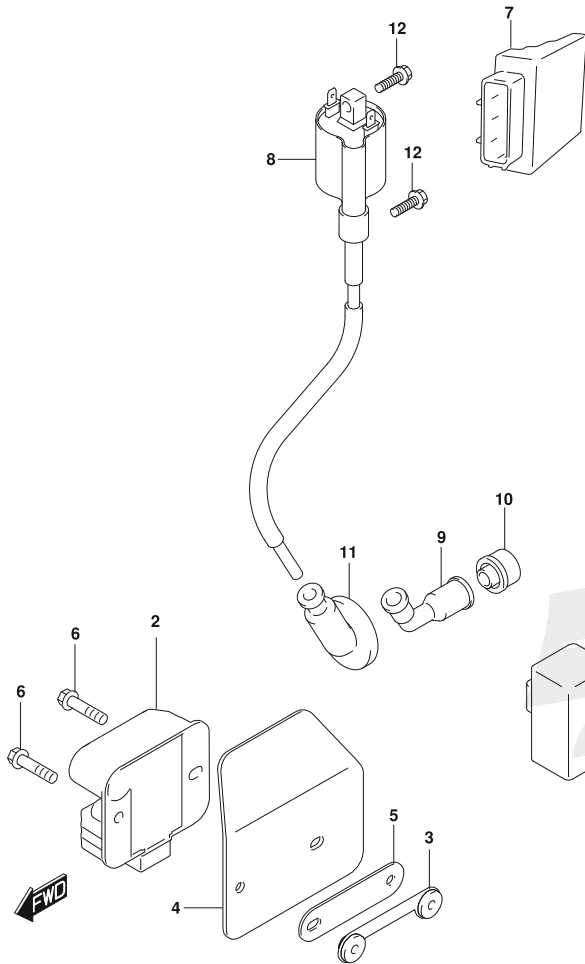
2



UN125NEAM2_P74_310A
BATTERY

312A

FIG. 312A (C-7) ELECTRICAL

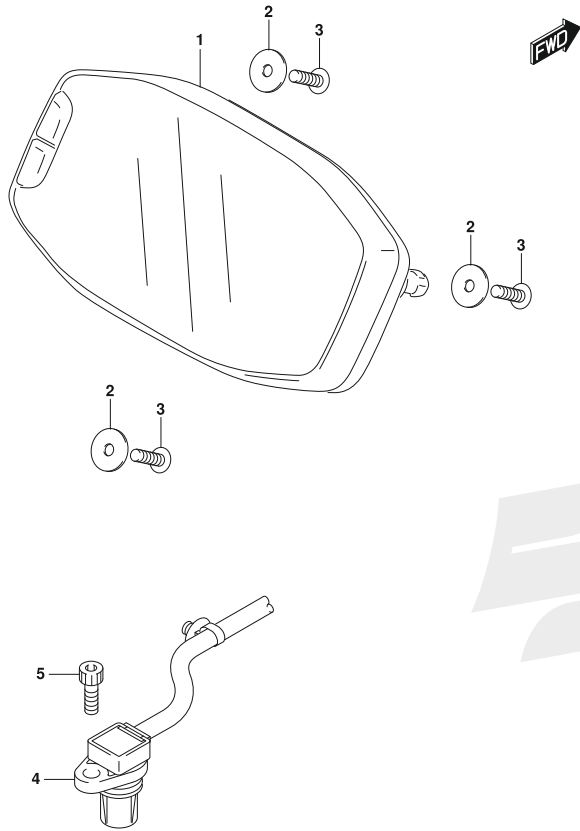


REF NO.	PART NO.	DESCRIPTION	QTY	REMARKS
1	31800-23J20-000	RELAY ASSY,STARTING MOTOR	1	
2	32800-02L01-000	RECTIFIER ASSY	1	
3	32830-14L00-000	NUT,PLATE	1	
4	32832-14L00-000	PLATE,RECTIFIER	1	
5	32832-14L10-000	SPACER,PLATE	1	
6	01547-0625A-000	BOLT	2	
7	32920-02L31-000	CONTROL UNIT,FI	1	
8	33410-02L10-000	COIL ASSY,IGNITION	1	
9	33510-08K00-000	CAP,SPARK PLUG	1	
10	33541-08K00-000	SEAL,SPARK PLUG	1	
11	33542-08K00-000	SEAL,HIGH TENSION CORD	1	
12	01547-0620A-000	BOLT	2	

330A

FIG. 330A (C-8) SPEEDOMETER

REF NO.	PART NO.	DESCRIPTION	QTY	REMARKS
1	34100-14L10-000	SPEEDOMETER ASSY	1	
2	09160-04026-000	WASHER (4.5X16X1.2)	3	
3	03541-0416A-000	SCREW	3	
4	34990-44K01-000	SENSOR, SPEED	1	
5	07130-0616A-000	BOLT	1	

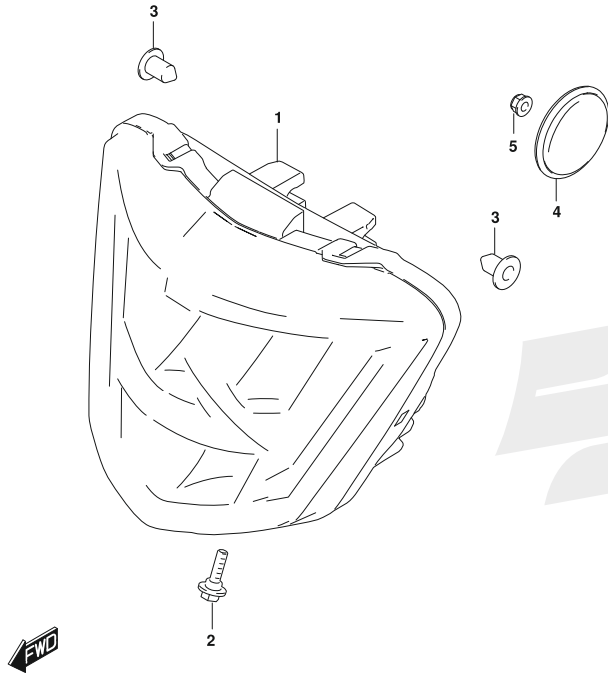
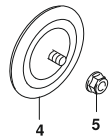


UN125NEAM2_P74_330A
SPEEDOMETER

333A

FIG. 333A (C-9) HEADLAMP

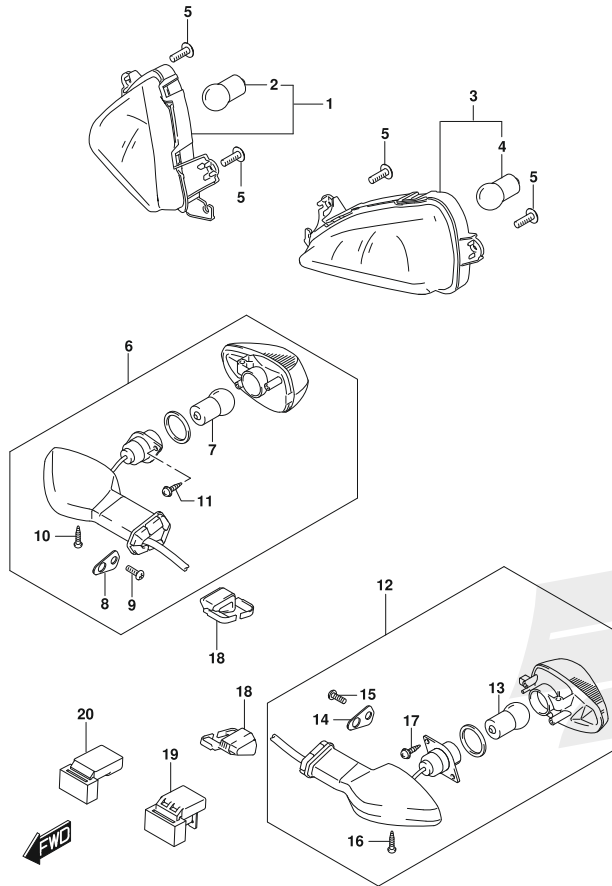
REF NO.	PART NO.	DESCRIPTION	QTY	REMARKS
1	35100-14L00-000	HEADLAMP ASSY	1	
2	35151-44J00-000	SCREW, HEADLAMP	1	
3	51831-30H00-000	CUSHION,METER BRACE	2	
4	35950-20L00-000	REFLEX REFLECTOR ASSY,SIDE	2	
5	08319-3106A-000	NUT	2	



334A

FIG. 334A (C-10) TURNSIGNAL LAMP

3



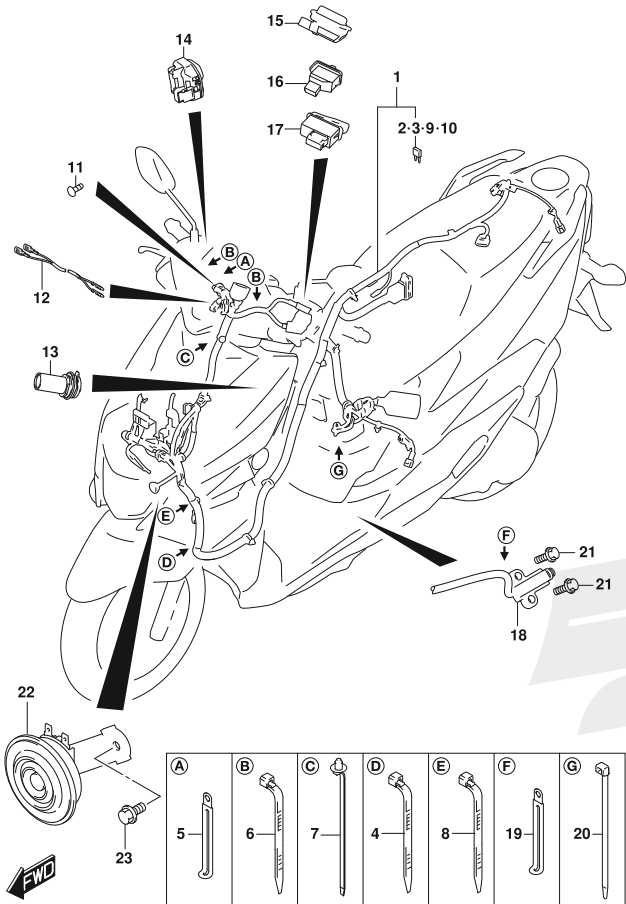
REF NO.	PART NO.	DESCRIPTION	QTY	REMARKS
1	35601-14L00-000	LAMP ASSY,FRONT TURNSIGNAL,R	1	
2	09471-12216-000	.BULB (12V5W)	1	
3	35602-14L00-000	LAMP ASSY,FRONT TURNSIGNAL,L	1	
4	09471-12216-000	.BULB (12V5W)	1	
5	03541-0516A-000	SCREW	4	
6	35603-20LA0-000	LAMP ASSY,REAR TURNSIGNAL,R	1	
7	35222-34J80-000	.BULB (12V10W,AMBER)	1	
8	35616-34J00-000	.PLATE	1	
9	35623-34J00-000	.SCREW	1	
10	35623-34J30-000	.SCREW	1	
11	35623-34J40-000	.SCREW	2	
12	35604-20LA0-000	LAMP ASSY,REAR TURNSIGNAL,L	1	
13	35222-34J80-000	.BULB (12V10W,AMBER)	1	
14	35616-34J00-000	.PLATE	1	
15	35623-34J00-000	.SCREW	1	
16	35623-34J30-000	.SCREW	1	
17	35623-34J40-000	.SCREW	2	
18	35629-34J30-000	PLATE,FRONT TURNSIGNAL	2	
19	38610-23J10-000	RELAY ASSY,TURNSIGNAL	1	
20	38610-27K00-000	RELAY ASSY,TURNSIGNAL	1	

UN125NEAM2_P74_334A
TURNSIGNAL LAMP

350A

FIG. 350A (C-12) WIRING HARNESS

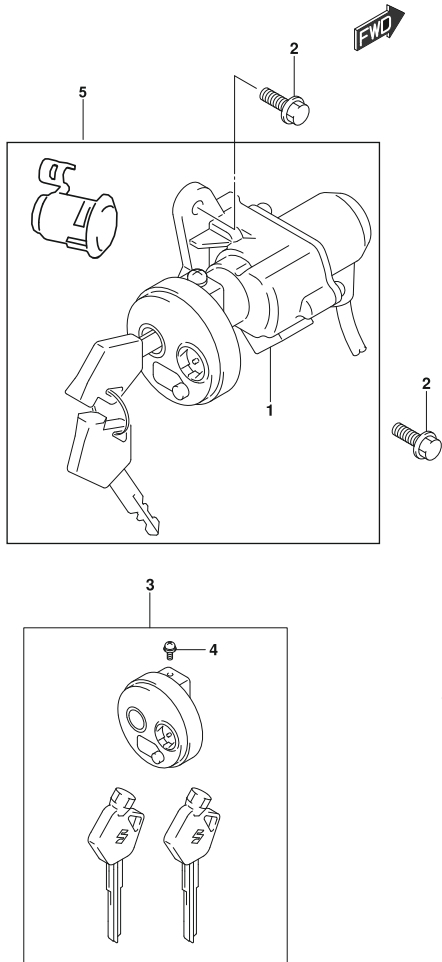
3



REF NO.	PART NO.	DESCRIPTION	QTY	REMARKS
1	36610-14L00-000	HARNESS,WIRING	1	
2	09481-15501-000	.FUSE (15A)	1	
3	09481-20501-000	.FUSE (20A)	1	
4	36990-70F20-000	CLAMP,COMB SW WIRE (L:165)	1	
5	09404-06429-000	CLAMP (L:45)	1	
6	09407-14L01-000	CLAMP (L:125)	2	
7	09407-15408-000	CLAMP,WIRING HARNESS	1	
8	09407-29L01-000	CLAMP,WIRING HARNESS	1	
9	09481-15501-000	FUSE (15A)	1	
10	09481-20501-000	FUSE (20A)	1	
11	03541-0416A-000	SCREW	1	
12	36852-44K01-000	WIRE,FRONT BRAKE SW LEAD	1	
13	39105-44K00-000	SOCKET,USB	1	
14	37330-02L11-000	SWITCH ASSY,STARTER & ENG STOP	1	
15	37420-02L11-000	SWITCH ASSY,DIMMER	1	
16	37510-33G11-000	SWITCH ASSY,TURNSIGNAL	1	
17	37520-33G11-000	SWITCH ASSY,HORN	1	
18	37840-02L00-000	SWITCH ASSY,SIDE STAND	1	
19	09404-06429-000	CLAMP (L:45)	1	
20	09407-14407-000	CLAMP (L:145)	1	
21	01550-0620A-000	BOLT	2	
22	38500-02L00-000	HORN ASSY	1	
23	01550-0612A-000	BOLT	1	

352A

FIG. 352A (C-13) LOCK SET



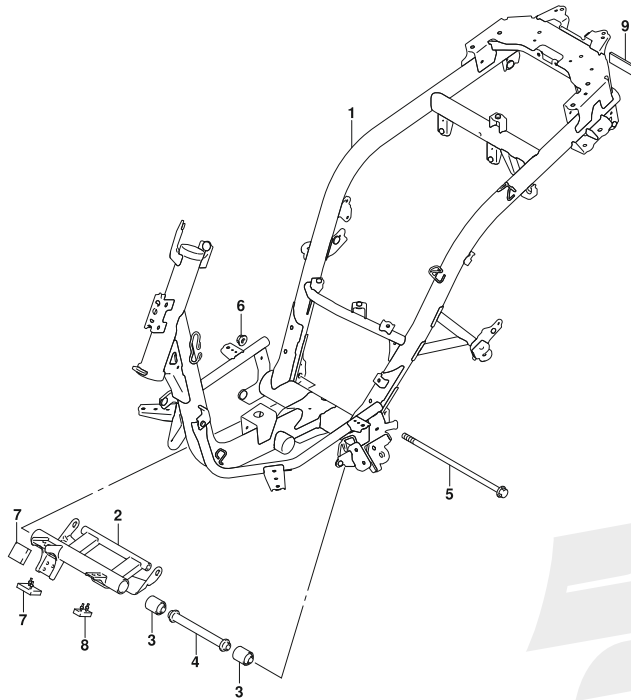
REF NO.	PART NO.	DESCRIPTION	QTY	REMARKS
1	37100-08K10-000	LOCK ASSY,STEERING	1	
2	01550-0616A-000	BOLT	2	
3	37155-08810-000	SHUTTER SET	1	
4	02112-3510A-000	.SCREW	1	
5	37011-08K20-000	LOCK SET	1	

3

401A

FIG. 401A (C-14) FRAME

REF NO.	PART NO.	DESCRIPTION	QTY	REMARKS
1	41100-14L00-000	FRAME	1	
2	41180-02L00-000	BRACKET,CRANKCASE	1	
3	41184-39J00-000	BUSH,CRANKCASE BRKT	2	
4	41170-09J10-000	SPACER,CRANKCASE BRKT	1	
5	41189-39J00-000	BOLT,CRANKCASE BRKT (10X255)	1	
6	08319-3110A-000	NUT	1	
7	41185-08K00-000	CUSHION,SWING STOP	1	
8	41185-09J00-000	CUSHION	2	
9	33652-34J00-000	PROTECTOR	1	



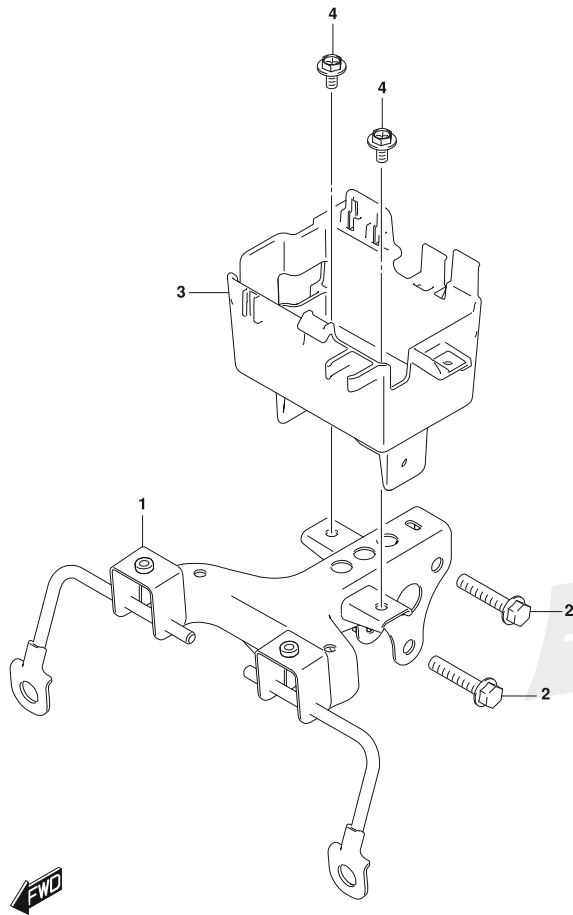
4

UN125NEAM2_P74_401A
FRAME

405A

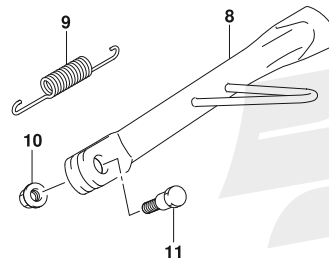
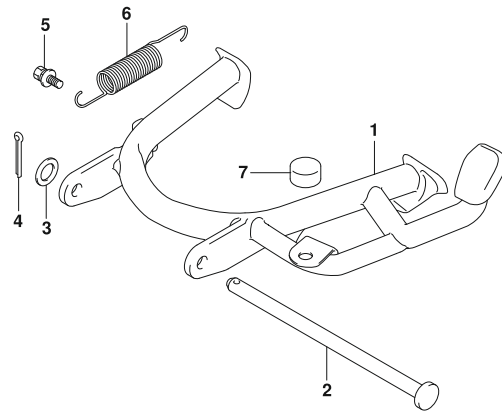
FIG. 405A (C-15) BATTERY HOLDER

REF NO.	PART NO.	DESCRIPTION	QTY	REMARKS
1	41540-14L00-000	HOLDER,BATTERY NO.2	1	
2	01550-0840A-000	BOLT	2	
3	41521-14L00-000	HOLDER,BATTERY NO.1	1	
4	09111-06106-000	BOLT (6X12)	2	



407A

FIG. 407A (C-16) STAND



REF NO.	PART NO.	DESCRIPTION	QTY	REMARKS
1	42100-02L00-000	STAND,CENTER	1	
2	42211-39J00-000	SHAFT,CTR STAND	1	
3	42275-25J00-000	WASHER,CTR STAND	1	
4	04111-3020A-000	PIN	1	
5	42251-32G00-000	BOLT,CTR STAND SPRING	1	
6	09443-17026-000	SPRING	1	
7	42278-44K00-000	CUSHION	1	
8	42310-02L00-000	STAND,PROP	1	
9	42421-02L00-000	SPRING,PROP STAND INNER	1	
10	08319-3110A-000	NUT	1	
11	42341-27K00-000	BOLT,PROP STAND (10X33)	1	

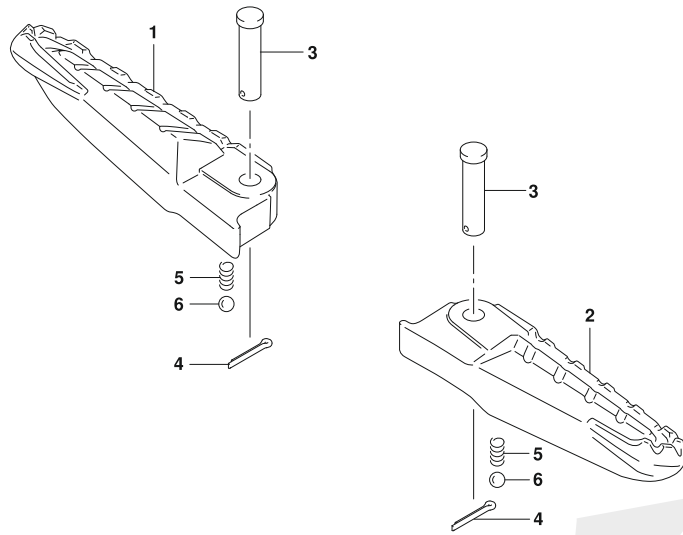
4



UN125NEAM2_P74_407A
STAND

415A

FIG. 415A (D-2) FOOTREST



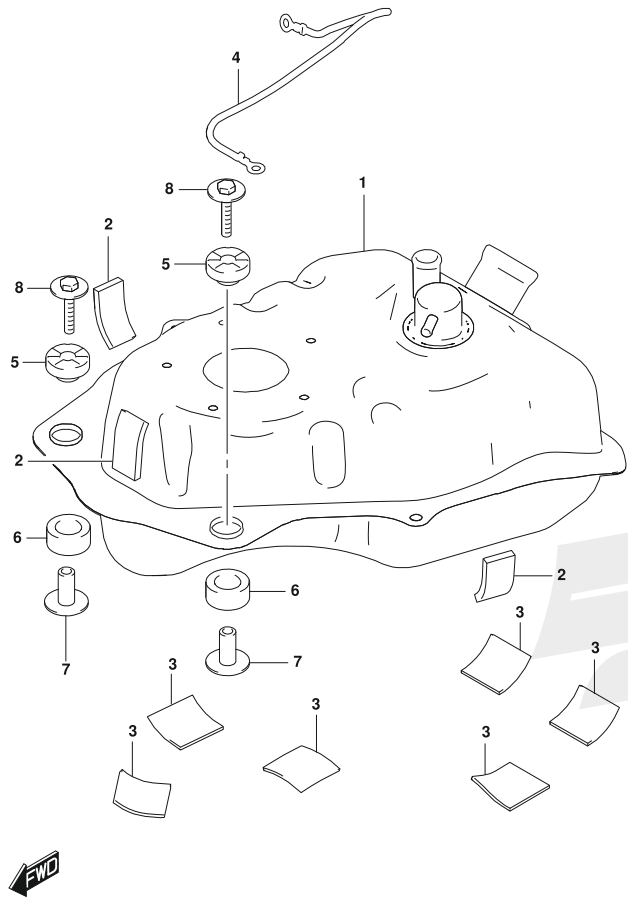
REF NO.	PART NO.	DESCRIPTION	QTY	REMARKS
1	43611-44K10-000	BAR,PILLION FOOTREST,R	1	
2	43621-44K10-000	BAR,PILLION FOOTREST,L	1	
3	09200-08077-000	PIN	2	
4	04111-2515A-000	PIN	2	
5	09440-05003-000	SPRING	2	
6	06111-07004-000	BALL	2	



420A

FIG. 420A (D-3) FUEL TANK

REF NO.	PART NO.	DESCRIPTION	QTY	REMARKS
1	44110-14L00-000	TANK,FUEL	1	
2	44281-02L00-000	CUSHION,FUEL TANK UPR 2	3	
3	44281-29C00-000	CUSHION (30X30X3)	6	
4	36851-14L00-000	WIRE, FUEL TANK	1	
5	44541-44J00-000	CUSHION,FUEL TANK UPR	2	
6	44542-44J00-000	CUSHION,FUEL TANK LWR	2	
7	44544-27K00-000	SPACER,FUEL TANK CUSHION	2	
8	09116-06097-000	BOLT (6X35)	2	

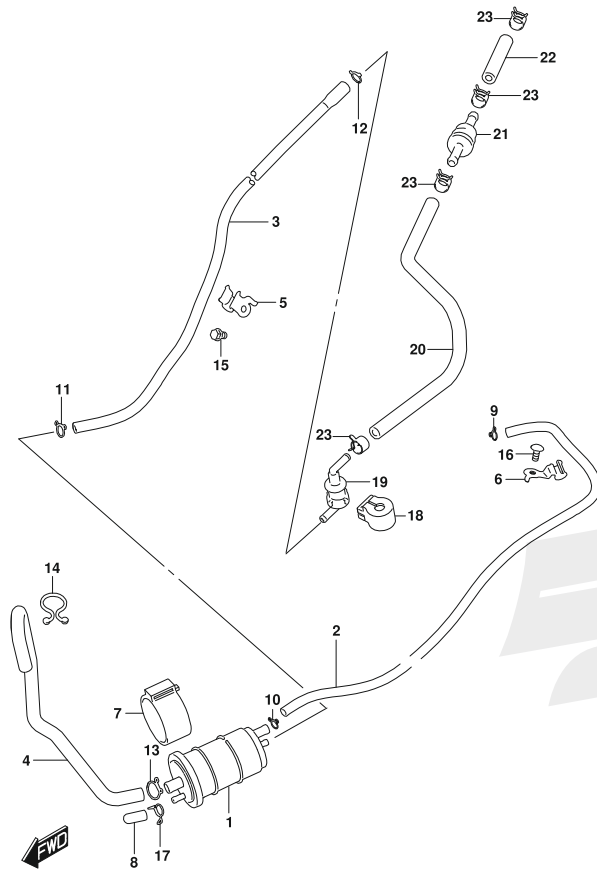


4

UN125NEAM2_P74_420A
FUEL TANK

427A

FIG. 427A (D-4) EVAP SYSTEM

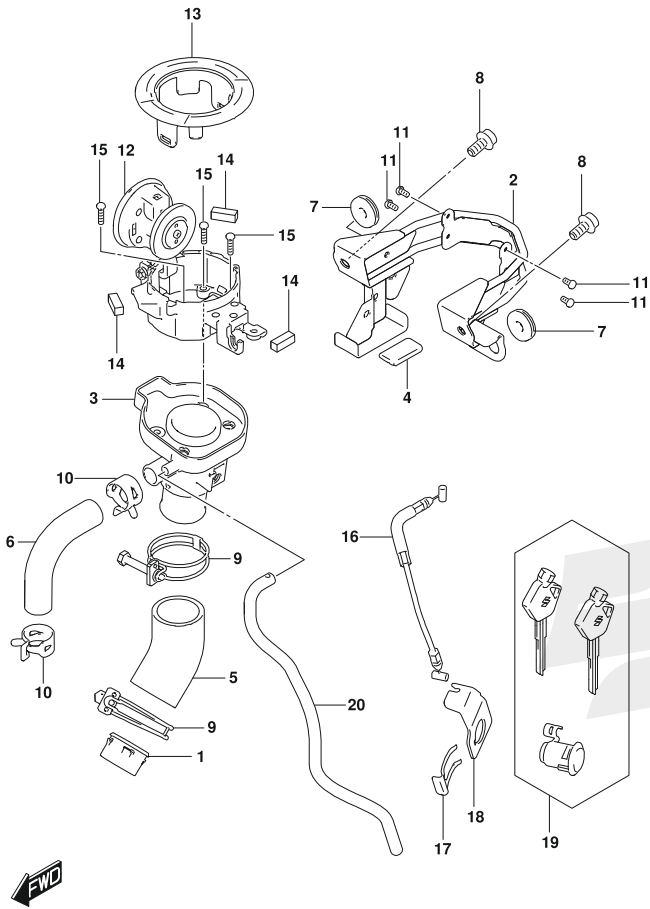


REF NO.	PART NO.	DESCRIPTION	QTY	REMARKS
1	18560-02L00-000	CANISTER ASSY, EVAP	1	
2	18561-14L00-000	HOSE, CSTR PURGE	1	
3	18563-02L00-000	HOSE, CSTR SURGE	1	
4	18567-02L00-000	HOSE, CSTR AIR	1	
5	18571-02L00-000	CLAMP, PURGE HOSE NO.1	1	
6	18572-02L00-000	CLAMP, PURGE HOSE NO.2	1	
7	18573-02L00-000	CUSHION, CANISTER	1	
8	09251-04004-000	CAP	1	
9	09401-08001-000	CLIP	1	
10	09401-09101-000	CLIP	1	
11	09401-09101-000	CLIP	1	
12	09401-10401-000	CLIP	1	
13	09401-13102-000	CLIP	1	
14	09408-00343-000	CLAMP	1	
15	01547-0610A-000	BOLT	1	
16	03541-0512A-000	SCREW	1	
17	09401-09406-000	CLIP	1	
18	44894-39J10-000	CUSHION, FUEL TANK BRTHR	1	
19	44240-13H00-000	VALVE, FUEL TANK BREATHER	1	
20	44434-14L00-000	HOSE, TANK & 2 WAY VALVE	1	
21	89485-771C0-000	VALVE, 2 WAY CHECK	1	
22	44435-14L00-000	HOSE, CHECK VALVE & BRTH VALVE	1	
23	09401-09L03-000	CLIP (ID:9.4, H:8)	4	

429A

FIG. 429A (D-5) FUEL INLET

4



REF NO.	PART NO.	DESCRIPTION	QTY	REMARKS
1	89280-77A00-000	VALVE,FUEL TANK INLET	1	
2	44160-14L00-000	BRACKET,FUEL TANK INLET	1	
3	44190-14L10-000	INLET,FUEL TANK UPPER	1	
4	44281-02L00-000	CUSHION,FUEL TANK UPR 2	1	
5	44422-14L00-000	HOSE,FUEL TANK FILLER	1	
6	44424-14L00-000	HOSE,FUEL TANK AIR VENT	1	
7	47162-30H00-000	CUSHION (8X26X7)	2	
8	09106-08211-000	BOLT (8X16)	2	
9	09400-45L01-000	CLAMP,FUEL FILLER HOSE	2	
10	09401-20002-000	CLIP,BREATHER HOSE	2	
11	02112-0408A-000	SCREW	4	
12	44210-14L00-000	CAP,FUEL TANK FILLER	1	
13	44218-14L00-000	COVER,FUEL TANK CAP	1	
14	44281-14L00-000	CUSHION,FUEL TANK FILLER CAP	3	
15	02112-0416A-000	SCREW	3	
16	44230-14L00-000	CABLE ASSY,FUEL TANK CAP	1	
17	44231-14L00-000	PLATE,TANK CAP LOCK CABLE	1	
18	45288-20G20-000	GUIDE,SEAT LOCK CABLE	1	
19	95700-14830-000	LOCK SET,FUEL TANK CAP	1	
20	44423-14L00-000	HOSE,FUEL DRAIN	1	

UN125NEAM2_P74_429A
FUEL INLET

435A

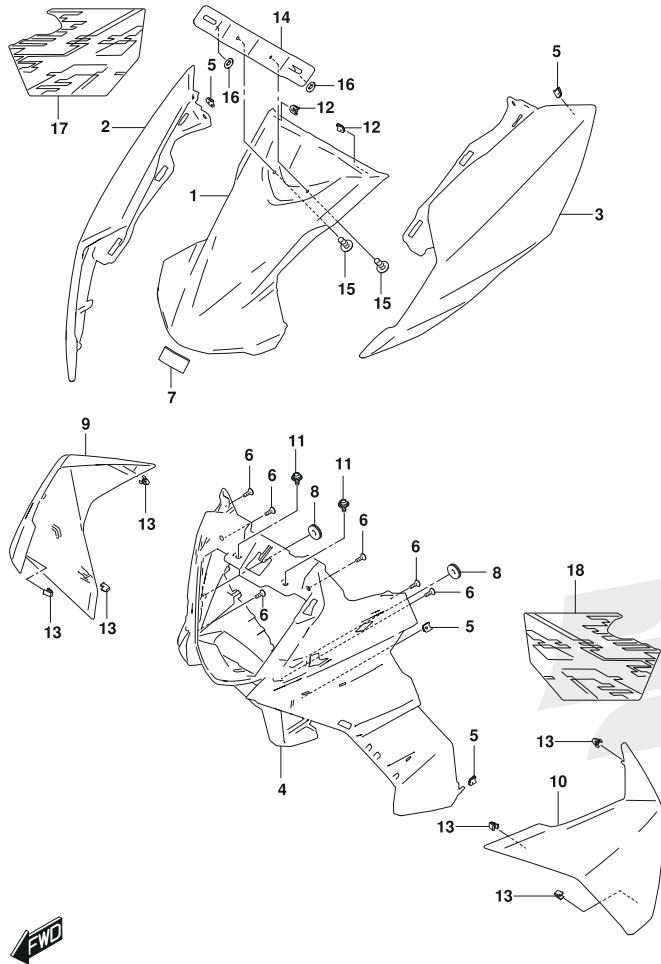


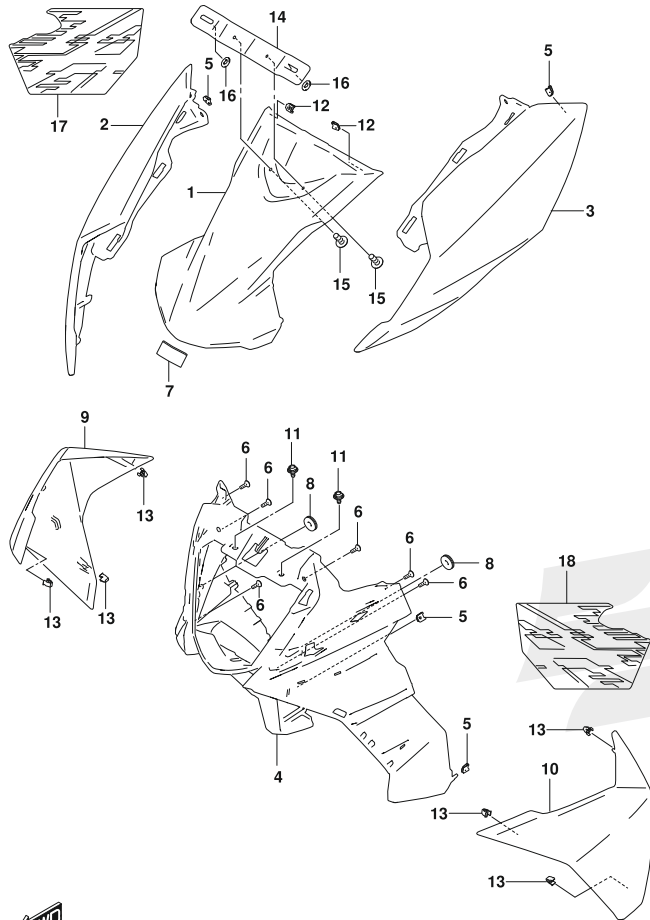
FIG. 435A (D-6) FRONT LEG SHIELD

REF NO.	PART NO.	DESCRIPTION	QTY	REMARKS
1-1	48111-14L00-PGZ	SHIELD,LEG FRONT (GRAY)	1	BODY COLOR:A8D
1-2	48111-14L00-YVB	SHIELD,LEG FRONT (BLACK)	1	BODY COLOR:CC7,KGL
1-3	48111-14L00-YRD	SHIELD,LEG FRONT (GREEN)	1	BODY COLOR:CC8
2-1	48112-14L00-YPA	SHIELD,LEG FRONT,R (WHITE)	1	BODY COLOR:A8D
2-2	48112-14L00-QVN	SHIELD,LEG FRONT,R (ORANGE)	1	BODY COLOR:CC7
2-3	48112-14L00-PGZ	SHIELD,LEG FRONT,R (GRAY)	1	BODY COLOR:CC8
2-4	48112-14L00-YKV	SHIELD,LEG FRONT,R (BLACK)	1	BODY COLOR:KGL
3-1	48113-14L00-YPA	SHIELD,LEG FRONT,L (WHITE)	1	BODY COLOR:A8D
3-2	48113-14L00-QVN	SHIELD,LEG FRONT,L (ORANGE)	1	BODY COLOR:CC7
3-3	48113-14L00-PGZ	SHIELD,LEG FRONT,L (GRAY)	1	BODY COLOR:CC8
3-4	48113-14L00-YKV	SHIELD,LEG FRONT,L (BLACK)	1	BODY COLOR:KGL
4	48114-14L00-000	SHIELD,LEG FRONT LOWER	1	
5	09148-05060-000	NUT (M5)	4	
6	03541-0516A-000	SCREW	6	
7	35690-41K00-000	CUSHION,TURN SIGNAL	1	
8	47162-30H00-000	CUSHION (8X26X7)	2	
9-1	48132-14L00-YPA	SHIELD,LEG SIDE FR,R (WHITE)	1	BODY COLOR:A8D
9-2	48132-14L00-QVN	SHIELD,LEG SIDE FR,R (ORANGE)	1	BODY COLOR:CC7
9-3	48132-14L00-PGZ	SHIELD,LEG SIDE FR,R (GRAY)	1	BODY COLOR:CC8
9-4	48132-14L00-YKV	SHIELD,LEG SIDE FR,R (BLACK)	1	BODY COLOR:KGL
10-1	48133-14L00-YPA	SHIELD,LEG SIDE FR,L (WHITE)	1	BODY COLOR:A8D
10-2	48133-14L00-QVN	SHIELD,LEG SIDE FR,L (ORANGE)	1	BODY COLOR:CC7
10-3	48133-14L00-PGZ	SHIELD,LEG SIDE FR,L (GRAY)	1	BODY COLOR:CC8
10-4	48133-14L00-YKV	SHIELD,LEG SIDE FR,L (BLACK)	1	BODY COLOR:KGL
11	63115-08K10-000	BOLT (6X16)	2	
12	09148-05060-000	NUT (M5)	2	
13	09409-08L09-000	CLIP	6	
14	48191-02L00-000	PLATE,FRONT LICENSE	1	
15	03541-0616A-000	SCREW	2	
16	08322-0105A-000	WASHER	2	
17-1	68161-14L00-CDH	TAPE,LEG SIDE FRONT,R	1	BODY COLOR:A8D
17-2	68161-14L00-CDJ	TAPE,LEG SIDE FRONT,R	1	BODY COLOR:CC7
17-3	68161-14L00-CDK	TAPE,LEG SIDE FRONT,R	1	BODY COLOR:CC8
17-4	68161-14L00-KGL	TAPE,LEG SIDE FRONT,R (BLACK)	1	BODY COLOR:KGL

435A

FIG. 435A (D-7) FRONT LEG SHIELD

REF NO.	PART NO.	DESCRIPTION	QTY	REMARKS
18-1	68162-14L00-CDH	TAPE,LEG SIDE FR,L	1	BODY COLOR:A8D
18-2	68162-14L00-CDJ	TAPE,LEG SIDE FR,L	1	BODY COLOR:CC7
18-3	68162-14L00-CDK	TAPE,LEG SIDE FR,L	1	BODY COLOR:CC8
18-4	68162-14L00-KGL	TAPE,LEG SIDE FR,L (BLACK)	1	BODY COLOR:KGL



4

UN125NEAM2_P74_435A
FRONT LEG SHIELD

438A

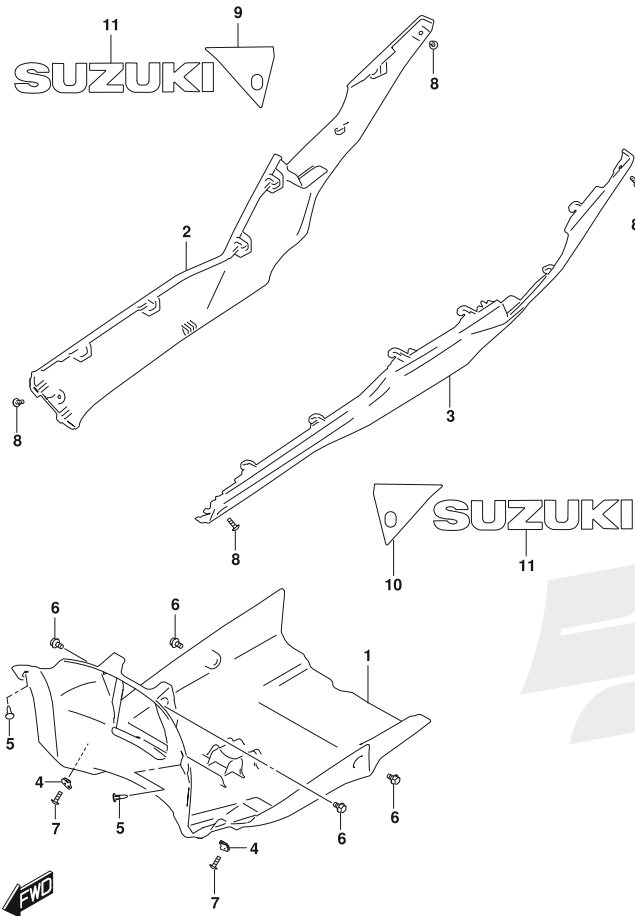


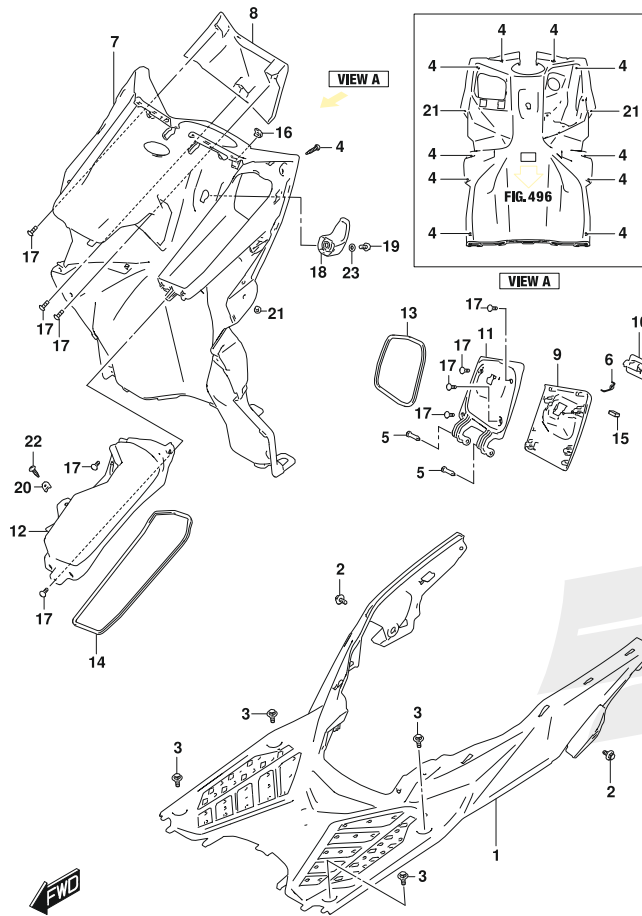
FIG. 438A (D-8) SIDE LEG SHIELD

REF NO.	PART NO.	DESCRIPTION	QTY	REMARKS
1	48131-44K10-000	COVER,UNDER	1	
2-1	48134-14L00-YPA	SHIELD,LEG SIDE RR,R (WHITE)	1	BODY COLOR:A8D
2-2	48134-14L00-QVN	SHIELD,LEG SIDE RR,R (ORANGE)	1	BODY COLOR:CC7
2-3	48134-14L00-PGZ	SHIELD,LEG SIDE RR,R (GRAY)	1	BODY COLOR:CC8
2-4	48134-14L00-YKV	SHIELD,LEG SIDE RR,R (BLACK)	1	BODY COLOR:KGL
3-1	48135-14L00-YPA	SHIELD,LEG SIDE RR,L (WHITE)	1	BODY COLOR:A8D
3-2	48135-14L00-QVN	SHIELD,LEG SIDE RR,L (ORANGE)	1	BODY COLOR:CC7
3-3	48135-14L00-PGZ	SHIELD,LEG SIDE RR,L (GRAY)	1	BODY COLOR:CC8
3-4	48135-14L00-YKV	SHIELD,LEG SIDE RR,L (BLACK)	1	BODY COLOR:KGL
4	09148-05060-000	NUT (M5)	2	
5	09409-06L07-000	CLIP	2	
6	01550-0612A-000	BOLT	4	
7	03541-0516A-000	SCREW	2	
8	03541-0516B-000	SCREW	4	
9-1	68163-14L00-JDT	TAPE,LEG SIDE REAR,R (BLACK,WH ITE)	1	BODY COLOR:A8D
9-2	68163-14L00-CDG	TAPE,LEG SIDE REAR,R	1	BODY COLOR:CC7
9-3	68163-14L00-AHW	TAPE,LEG SIDE REAR,R (GRAY,BLA CK)	1	BODY COLOR:CC8
10-1	68164-14L00-JDT	TAPE,LEG SIDE REAR,L (BLACK,WH ITE)	1	BODY COLOR:A8D
10-2	68164-14L00-CDG	TAPE,LEG SIDE REAR,L	1	BODY COLOR:CC7
10-3	68164-14L00-AHW	TAPE,LEG SIDE REAR,L (GRAY,BLA CK)	1	BODY COLOR:CC8
11-1	68171-14L00-YVB	EMBLEM,"SUZUKI" (BLACK)	2	BODY COLOR:A8D,CC7
11-2	68171-14L00-AR4	EMBLEM,"SUZUKI" (BLACK)	2	BODY COLOR:CC8
11-3	68171-14L00-KGL	EMBLEM,"SUZUKI" (BLACK)	2	BODY COLOR:KGL

4

440A

FIG. 440A (D-9) REAR LEG SHIELD



REF NO.	PART NO.	DESCRIPTION	QTY	REMARKS
1	48121-14L00-000	FOOTBOARD,LEG SHIELD	1	
2	63115-08K10-000	BOLT (6X16)	2	
3	09111-06072-000	BOLT (6X17.8)	4	
4	03541-0520B-000	SCREW	10	
5	73423-50G00-000	PIN,GLOVE BOX HINGE	2	
6	73423-62D00-000	SPRING,GLOVE BOX LID	1	
7	92111-14L00-000	COVER,LEG SHIELD	1	
8	92112-14L00-000	RACK,LEG SHIELD	1	
9	92151-14L00-000	LID,FRONT PANEL	1	
10	92152-44K00-000	LOCK,FRONT PANEL BOX	1	
11	92153-14L00-000	LID,FRONT PANEL INNER	1	
12	92154-14L00-000	BOX,FRONT PANEL	1	
13	92155-44K00-000	CUSHION,FRONT BOX NO.1	1	
14	92156-14L00-000	CUSHION,FRONT BOX NO.2	1	
15	92158-44K00-000	CUSHION,FRONT BOX NO.4	1	
16	09148-05060-000	NUT (M5)	1	
17	03541-0516A-000	SCREW	9	
18	92171-08K00-291	HOOK,LEG SHIELD (BLACK)	1	
19	92172-44K00-000	BOLT,LEG SHIELD HOOK	1	
20	09148-05060-000	NUT (M5)	1	
21	09409-06L07-000	CLIP	2	
22	03541-0516A-000	SCREW	1	
23	08322-0106A-000	WASHER	1	

445A

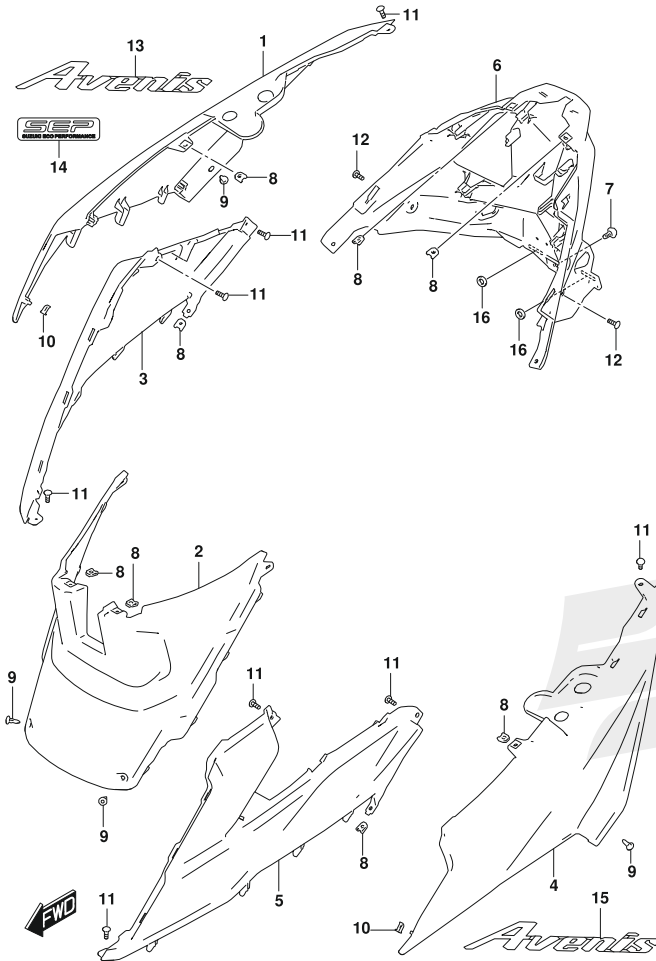
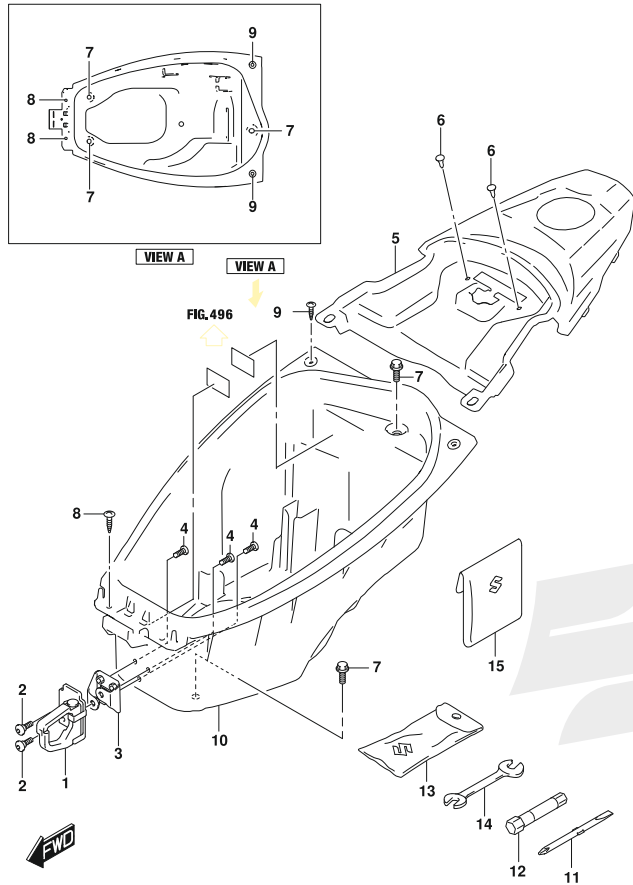


FIG. 445A (D-10) FRAME COVER

REF NO.	PART NO.	DESCRIPTION	QTY	REMARKS
1-1	47111-14L00-YPA	COVER,FRAME,R (WHITE)	1	BODY COLOR:A8D
1-2	47111-14L00-QVN	COVER,FRAME,R (ORANGE)	1	BODY COLOR:CC7
1-3	47111-14L00-PGZ	COVER,FRAME,R (GRAY)	1	BODY COLOR:CC8
1-4	47111-14L00-YKV	COVER,FRAME,R (BLACK)	1	BODY COLOR:KGL
2	47121-14L00-000	COVER,FRAME FRONT	1	
3-1	47131-14L00-PGZ	COVER,FRAME LOWER,R (GRAY)	1	BODY COLOR:A8D
3-2	47131-14L00-YVB	COVER,FRAME LOWER,R (BLACK)	1	BODY COLOR:CC7,KGL
3-3	47131-14L00-YRD	COVER,FRAME LOWER,R (GREEN)	1	BODY COLOR:CC8
4-1	47211-14L00-YPA	COVER,FRAME,L (WHITE)	1	BODY COLOR:A8D
4-2	47211-14L00-QVN	COVER,FRAME,L (ORANGE)	1	BODY COLOR:CC7
4-3	47211-14L00-PGZ	COVER,FRAME,L (GRAY)	1	BODY COLOR:CC8
4-4	47211-14L00-YKV	COVER,FRAME,L (BLACK)	1	BODY COLOR:KGL
5-1	47231-14L00-PGZ	COVER,FRAME LOWER,L (GRAY)	1	BODY COLOR:A8D
5-2	47231-14L00-YVB	COVER,FRAME LOWER,L (BLACK)	1	BODY COLOR:CC7,KGL
5-3	47231-14L00-YRD	COVER,FRAME LOWER,L (GREEN)	1	BODY COLOR:CC8
6	47311-14L00-000	COVER,FRAME CENTER	1	
7	94413-30H00-000	BOLT,COWLING LWR (6X16.5)	1	
8	09148-05060-000	NUT (M5)	8	
9	09409-06L07-000	CLIP	4	
10	09409-08009-000	CLIP	2	
11	03541-0516A-000	SCREW	8	
12	03541-0516B-000	SCREW	2	
13	68131-14L00-YVB	EMBLEM,FRAME COVER,R (BLACK)	1	
14	68136-39J00-000	EMBLEM,FRAME COVER	1	
15	68141-14L00-YVB	EMBLEM,FRAME COVER,L (BLACK)	1	
16	08322-0105A-000	WASHER	2	

456A

FIG. 456A (D-11) HELMET BOX

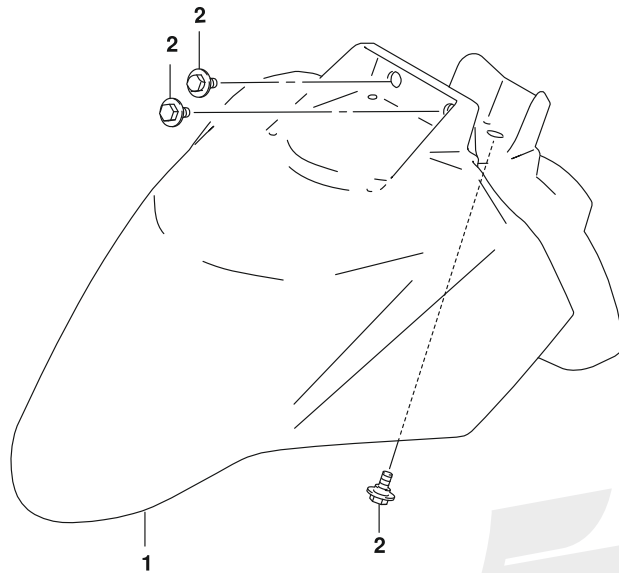


REF NO.	PART NO.	DESCRIPTION	QTY	REMARKS
1	92170-33G60-291	HOOK ASSY,FRAME COVER (BLACK)	1	
2	92178-33G50-000	SCREW,FRAME COVER HOOK	2	
3	92180-08K01-000	BRACKET,FRAME COVER HOOK	1	
4	02142-0512A-000	SCREW	3	
5	92212-14L00-000	COVER,FUEL TANK	1	
6	09409-06L07-000	CLIP	2	
7	01550-0612A-000	BOLT	3	
8	03541-0516A-000	SCREW	2	
9	03541-0520A-000	SCREW	2	
10	92211-44K10-000	BOX,HELMET	1	
11	96412-33G50-000	DRIVER, (+,-)	1	
12	96414-33G70-000	SPANNER,BOX (16)	1	
13	96511-02L00-000	BAG,TOOL	1	
14	96513-23J40-000	SPANNER,OPEN (10X14)	1	
15	94990-28G12-000	SET,FIRST AID	1	

4

460A

FIG. 460A (D-12) FRONT FENDER



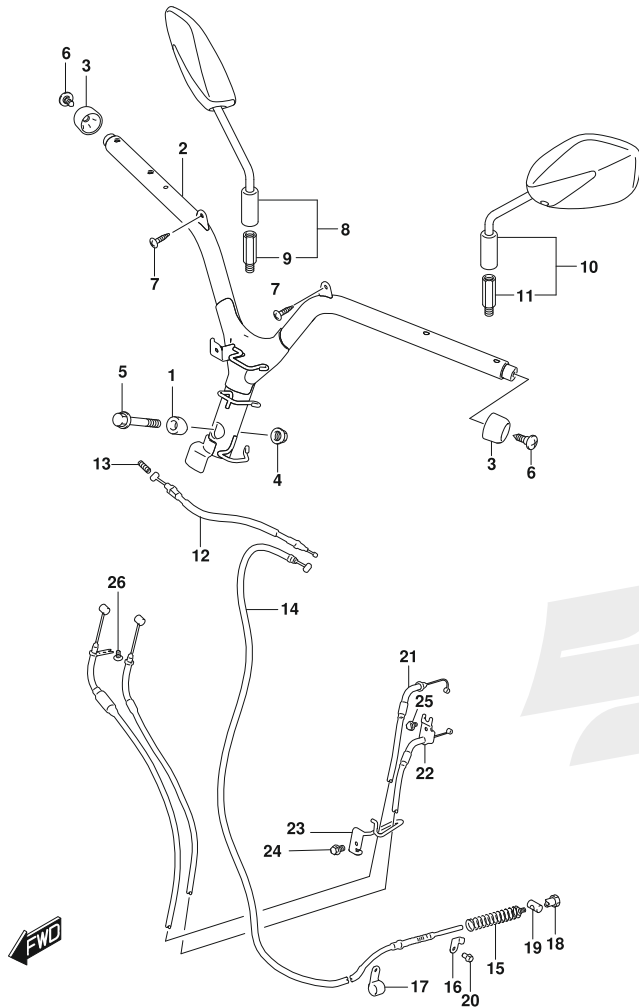
REF NO.	PART NO.	DESCRIPTION	QTY	REMARKS
1-1	53111-14L00-YPA	FENDER,FRONT (WHITE)	1	BODY COLOR:A8D
1-2	53111-14L00-QVN	FENDER,FRONT (ORANGE)	1	BODY COLOR:CC7
1-3	53111-14L00-PGZ	FENDER,FRONT (GRAY)	1	BODY COLOR:CC8
1-4	53111-14L00-YKV	FENDER,FRONT (BLACK)	1	BODY COLOR:KGL
2	09111-06255-000	BOLT (6X13.5)	3	



UN125NEAM2_P74_460A
FRONT FENDER

462A

FIG. 462A (D-13) HANDLEBAR



REF NO.	PART NO.	DESCRIPTION	QTY	REMARKS
1	51358-09G00-000	STOPPER,HANDLEBAR	1	
2	56110-14L00-000	HANDLEBAR	1	
3	57216-02L01-000	CAP,GRIP END	2	
4	64147-33G10-000	NUT,FR HUB	1	
5	09103-10126-000	BOLT (10X48)	1	
6	09139-06165-000	SCREW (6X16)	2	
7	03541-0516A-000	SCREW	2	
8	56500-34JA0-000	MIRROR ASSY,REAR VIEW,R	1	
9	56533-33G60-000	.ADAPTER,RR VIEW MIRROR	1	
10	56600-34JA0-000	MIRROR ASSY,REAR VIEW,L	1	
11	56533-33G60-000	.ADAPTER,RR VIEW MIRROR	1	
12	58110-14L00-000	CABLE,FRONT BRAKE	1	
13	58162-14L00-000	SPRING,FRONT BRAKE CABLE	1	
14	58510-44K20-000	CABLE,REAR BRAKE	1	
15	58562-08K00-000	SPRING,REAR BRAKE CABLE	1	
16	58575-39J00-000	PLATE,REAR BRAKE CABLE	1	
17	58577-39J10-000	CLAMP,RR BK CABLE CRKC FR	1	
18	09150-06010-000	NUT	1	
19	09209-11002-000	PIN (11X18)	1	
20	01547-0610A-000	BOLT	1	
21	58300-44K30-000	CABLE ASSY,THROTTLE NO.1	1	
22	58300-44K40-000	CABLE ASSY,THROTTLE NO.2	1	
23	58620-02L10-000	GUIDE,CABLE	1	
24	01547-0610A-000	BOLT	1	
25	01550-0510A-000	BOLT	1	
26	02142-0510B-000	SCREW	1	

4

UN125NEAM2_P74_462A
HANDLEBAR

463A

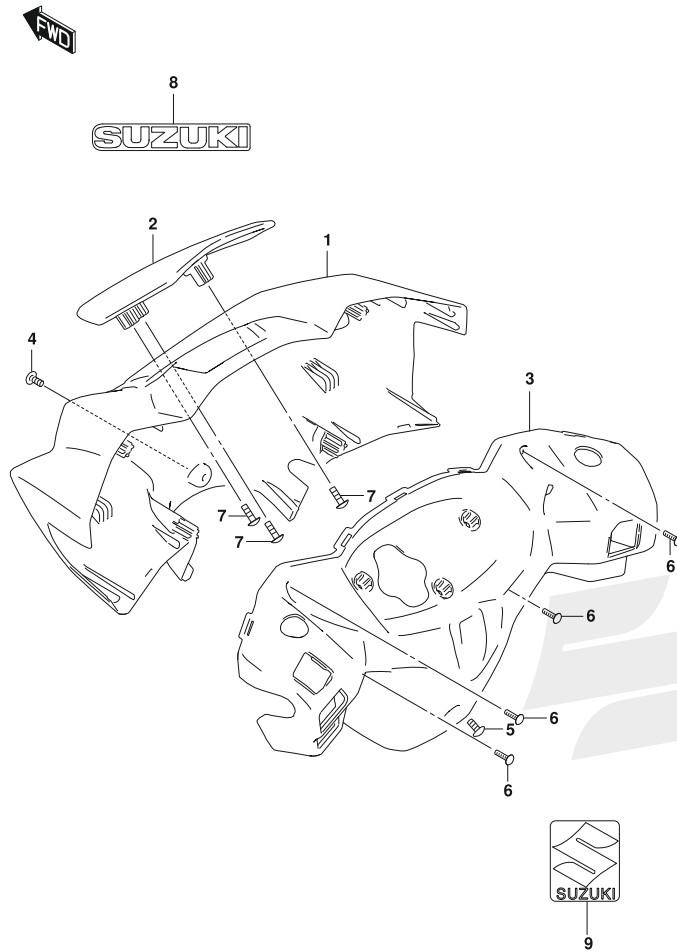
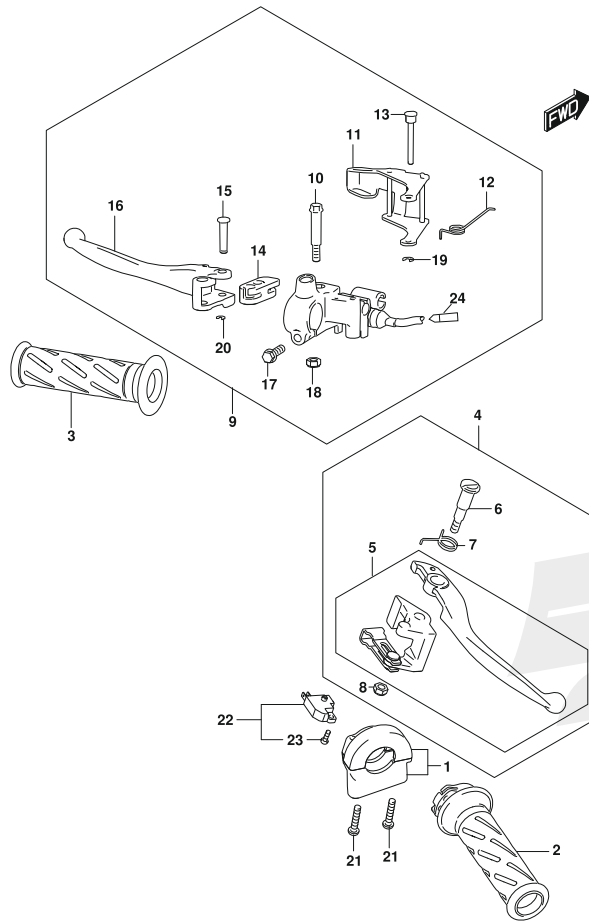


FIG. 463A (D-14) HANDLE COVER

REF NO.	PART NO.	DESCRIPTION	QTY	REMARKS
1-1	56311-14L00-YPA	COVER,HANDLE FRONT (WHITE)	1	
1-2	56311-14L00-QVN	COVER,HANDLE FRONT (ORANGE)	1	
1-3	56311-14L00-PGZ	COVER,HANDLE FRONT (GRAY)	1	
1-4	56311-14L00-YKV	COVER,HANDLE FRONT (BLACK)	1	
2	56312-14L00-YVB	COVER,HANDLE UPPER (BLACK)	1	
3	56321-14L00-000	COVER,HANDLE REAR	1	
4	02142-0512A-000	SCREW	1	
5	02142-0512B-000	SCREW	1	
6	03541-0416B-000	SCREW	4	
7	03541-0516A-000	SCREW	3	
8	68171-34J10-YMD	EMBLEM,SUZUKI (SILVER)	1	
9	68281-44K00-000	EMBLEM,S	1	

467A

FIG. 467A (D-15) HANDLE LEVER

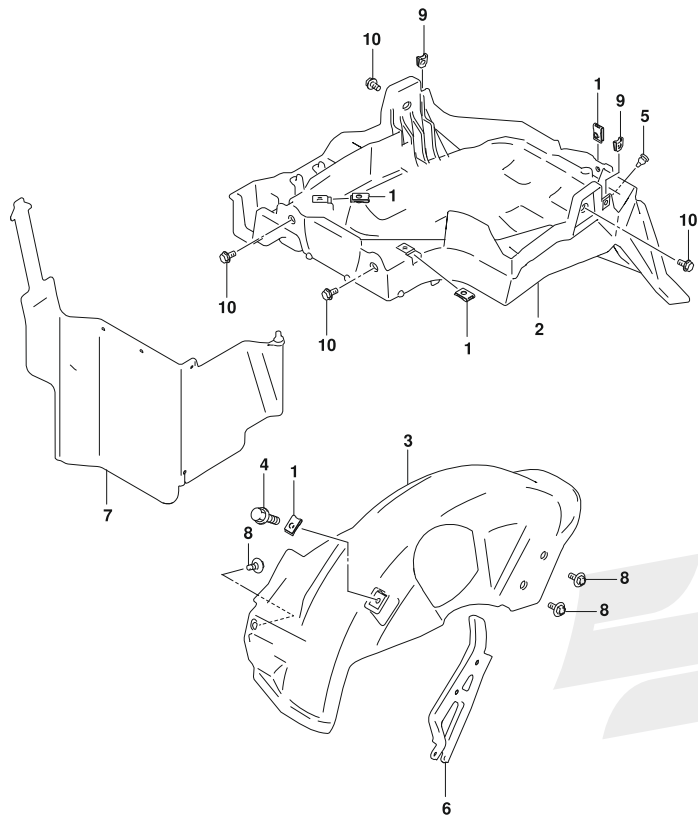


REF NO.	PART NO.	DESCRIPTION	QTY	REMARKS
1	57100-02L00-000	CASE ASSY,THROTTLE	1	
2	57110-30H10-000	GRIP,THROTTLE	1	
3	57211-22D11-000	GRIP,L	1	
4	57300-14L00-000	LEVER ASSY,FR BRAKE	1	
5	57420-14L00-000	.LEVER,BRAKE	1	
6	57431-14L00-000	.BOLT,BRAKE LEVER PIVOT	1	
7	57523-14L00-000	.SPRING,RETURN	1	
8	08319-2106A-000	.NUT	1	
9	57500-14L00-000	LEVER ASSY,RR BRAKE	1	
10	57431-14L10-000	.BOLT,BRAKE LEVER PIVOT	1	
11	57520-14L00-000	.LEVER,BRAKE LEVER STOPPER	1	
12	57523-14L00-000	.SPRING,BRAKE LEVER STOPPER	1	
13	57524-08K00-000	.PIN,BRAKE LEVER STOPPER	1	
14	57525-14L00-000	.EQUALIZER,BRAKE CABLE	1	
15	57526-14L00-000	.PIN,EQUALIZER	1	
16	57621-14L00-000	.LEVER,BRAKE,L	1	
17	01547-0620A-000	.BOLT	1	
18	08319-2106A-000	.NUT	1	
19	08332-1103A-000	.E RING	1	
20	08332-1104A-000	.E-RING	1	
21	02112-0525A-000	SCREW	2	
22	57460-14J10-000	SWITCH ASSY,FR BRAKE	1	
23	57465-17C00-000	.SCREW,WITH WASHER (4X12)	1	
24	37760-14L00-000	SWITCH ASSY, BRAKE	1	

UN125NEAM2_P74_467A
HANDLE LEVER

474A

FIG. 474A (D-16) REAR FENDER



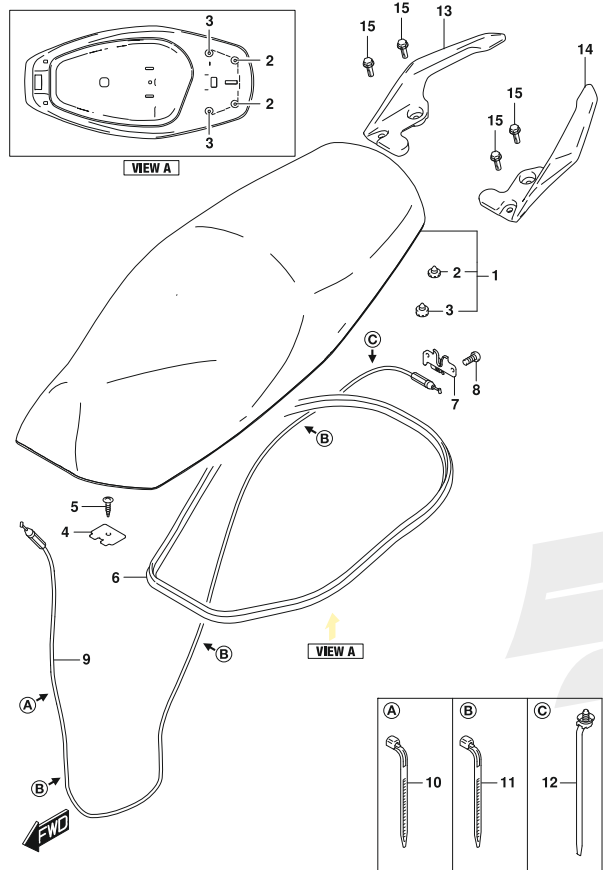
REF NO.	PART NO.	DESCRIPTION	QTY	REMARKS
1	35157-34J00-000	NUT (M6)	4	
2	63111-14L00-000	FENDER,REAR UPPER	1	
3	63112-44K00-000	FENDER,REAR LOWER	1	
4	63115-08K00-000	BOLT,REAR FENDER LOWER	1	
5	63118-41K00-000	PLUG,REAR FENDER	1	
6	63210-44K00-000	BRACE,REAR FENDER LOWER	1	
7	63411-14L00-000	MUDGUARD,REAR FENDER	1	
8	09111-06102-000	BOLT (6X14.8)	3	
9	09148-05060-000	NUT (M5)	2	
10	01550-0612A-000	BOLT	4	



UN125NEAM2_P74_474A
REAR FENDER

505A

FIG. 505A (E-3) SEAT

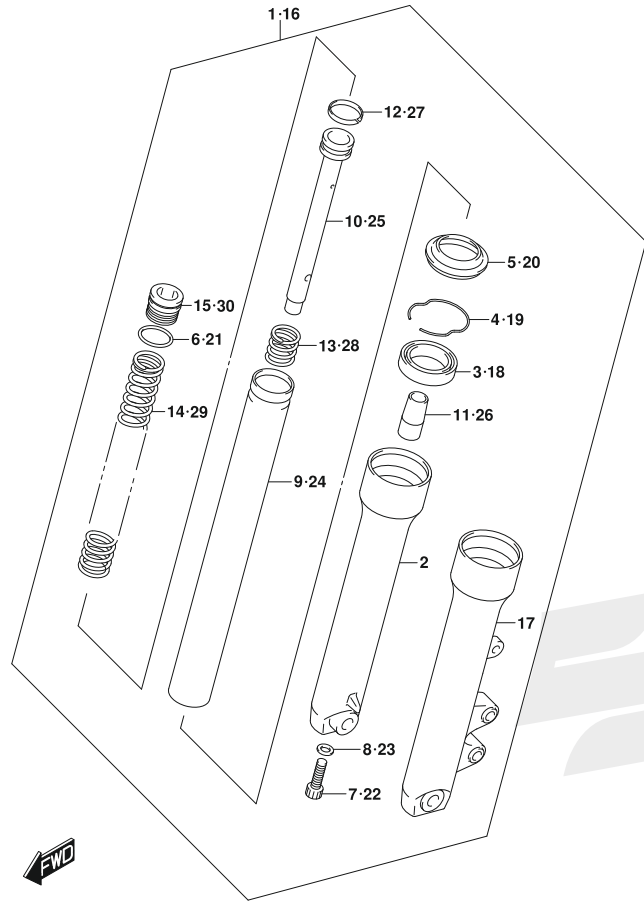


REF NO.	PART NO.	DESCRIPTION	QTY	REMARKS
1	45100-14L00-CC9	SEAT ASSY	1	
2	45148-20GB0-000	.CUSHION,SEAT MOUNT	2	
3	45148-20GJ0-000	.CUSHION,SEAT MOUNT	2	
4	45271-32G10-000	PLATE,SEAT HINGE	1	
5	03541-0516A-000	SCREW	1	
6	45211-44K00-000	MOLDING,SEAT	1	
7	45700-33G40-000	BRACKET,STRIKER SUPPORT	1	
8	02112-0612A-000	SCREW	2	
9	45280-14L00-000	CABLE,SEAT LOCK	1	
10	09407-14L01-000	CLAMP (L:125)	1	
11	09407-19L01-000	CLAMP (L:190)	3	
12	09407-15409-000	CLAMP,SEAT LOCK CABLE	1	
13-1	46211-14L00-YPA	HANDLE,PILLION RIDER,R (WHITE)	1	
13-2	46211-14L00-QVN	HANDLE,PILLION RIDER,R (ORANGE)	1	
13-3	46211-14L00-PGZ	HANDLE,PILLION RIDER,R (GRAY)	1	
13-4	46211-14L00-YKV	HANDLE,PILLION RIDER,R (BLACK)	1	
14-1	46231-14L00-YPA	HANDLE,PILLION RIDER,L (WHITE)	1	
14-2	46231-14L00-QVN	HANDLE,PILLION RIDER,L (ORANGE)	1	
14-3	46231-14L00-PGZ	HANDLE,PILLION RIDER,L (GRAY)	1	
14-4	46231-14L00-YKV	HANDLE,PILLION RIDER,L (BLACK)	1	
15	01550-0825A-000	BOLT	4	

521A

FIG. 521A (E-4) FRONT FORK DAMPER

4



REF NO.	PART NO.	DESCRIPTION	QTY	REMARKS
1	51103-44K00-291	DAMPER ASSY,FR FORK,R (BLACK)	1	
2	51131-44K00-291	.TUBE, OUTER,R (BLACK)	1	
3	51153-08K10-000	.SEAL,OIL	1	
4	51156-33G10-000	.RING, SNAP	1	
5	51173-33G10-000	.SEAL, DUST	1	
6	51117-33G10-000	.O RING	1	
7	51147-33G10-000	.BOLT	1	
8	51148-33G10-000	.GASKET	1	
9	51110-08K10-000	.TUBE, INNER	1	
10	51146-44K00-000	.CYLINDER,FRONT FORK	1	
11	51195-33G50-000	.OIL LOCK PIECE	1	
12	51196-33G10-000	.RING, PISTON	1	
13	51177-33G10-000	.SPRING, REBOUND	1	
14	51171-44K00-000	.SPRING,FRONT FORK	1	
15	51351-33G10-000	.BOLT	1	
16	51104-44K00-291	DAMPER ASSY,FR FORK,L (BLACK)	1	
17	51141-44K00-291	.TUBE, OUTER,L (BLACK)	1	
18	51153-08K10-000	.SEAL,OIL	1	
19	51156-33G10-000	.RING, SNAP	1	
20	51173-33G10-000	.SEAL, DUST	1	
21	51117-33G10-000	.O RING	1	
22	51147-33G10-000	.BOLT	1	
23	51148-33G10-000	.GASKET	1	
24	51110-08K10-000	.TUBE, INNER	1	
25	51146-44K00-000	.CYLINDER,FRONT FORK	1	
26	51195-33G50-000	.OIL LOCK PIECE	1	
27	51196-33G10-000	.RING, PISTON	1	
28	51177-33G10-000	.SPRING, REBOUND	1	
29	51171-44K00-000	.SPRING,FRONT FORK	1	
30	51351-33G10-000	.BOLT	1	

UN125NEAM2_P74_521A
FRONT FORK DAMPER

524A

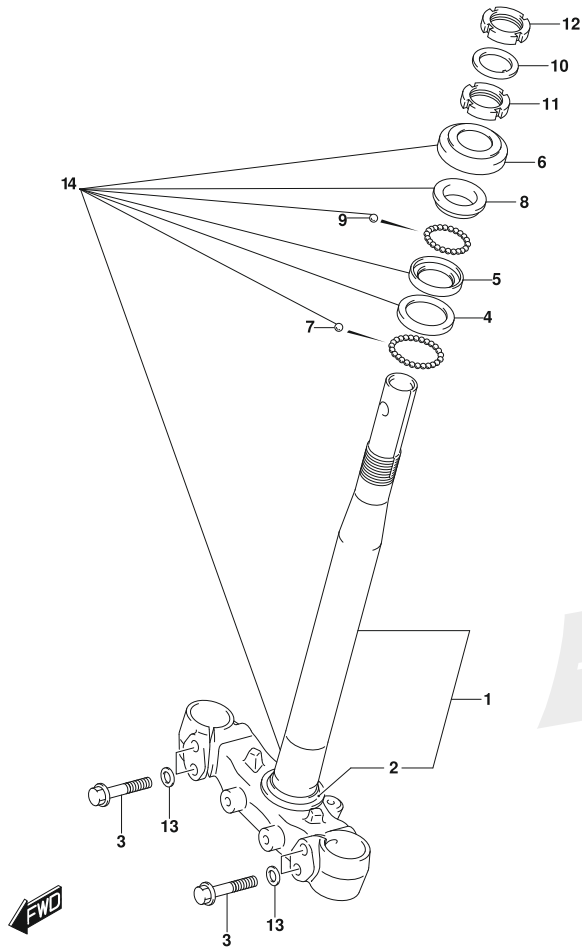
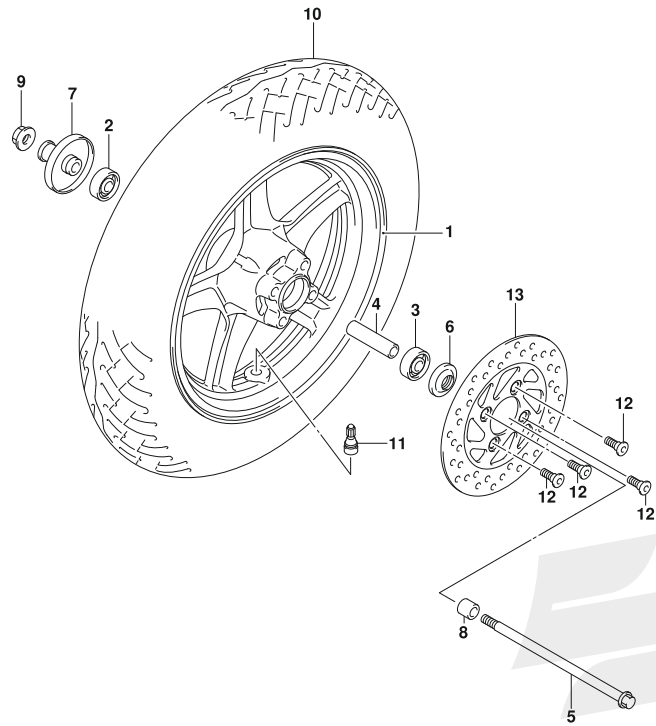


FIG. 524A (E-5) STEERING STEM

REF NO.	PART NO.	DESCRIPTION	QTY	REMARKS
1	51410-08K10-000	BRACKET,FRONT FORK LOWR	1	
2	51622-41H00-000	.RACE	1	
3	51434-08K10-000	BOLT, FR FORK INNER TUBE CLAMP	4	
4	51612-41H01-000	RACE,STEERING INNER LOWER	1	
5	51611-41H01-000	RACE,STEERING INNER UPPER	1	
6	51643-06001-000	DUST SEAL,STEERING UPR	1	
7	06111-06004-000	BALL	23	
8	51621-41H00-000	RACE,STEERING OUTER UPR	1	
9	06111-06004-000	BALL	28	
10	09166-24001-000	WASHER (24.5X34X2.3)	1	
11	51631-05000-000	NUT	1	
12	51631-05000-000	NUT	1	
13	51435-33G10-000	WASHER	4	
14	51600-28810-000	RACER STEERING KIT	1	

530A

FIG. 530A (E-6) FRONT WHEEL



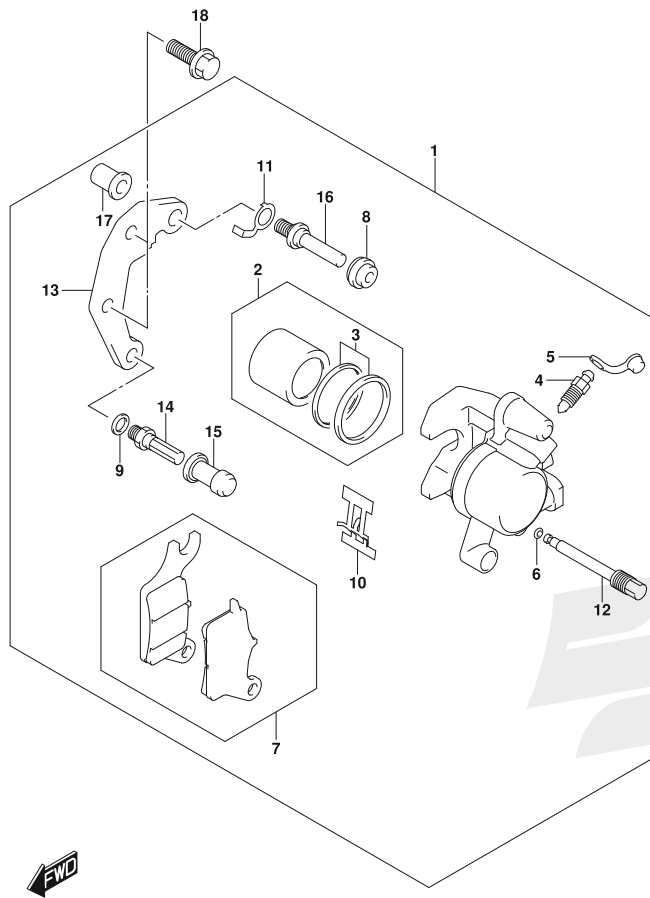
REF NO.	PART NO.	DESCRIPTION	QTY	REMARKS
1	54111-08K70-019	WHEEL,FRONT (12X2.15,BLACK)	1	
2	08133-6300B-000	BEARING	1	
3	08133-6300B-000	BEARING	1	
4	54731-02L00-000	SPACER,FR HUB BEARING	1	
5	54711-11F00-000	AXLE,FR	1	
6	54841-23J00-000	SEAL,FR HUB DUST (17X38X5)	2	
7	54741-02L00-000	SPACER,FR AXLE R	1	
8	54751-02L00-000	SPACER,FR AXLE L	1	
9	64147-33G10-000	NUT,FR HUB	1	
10	55110-08K01-000	TIRE	1	(NON-SERVICEABLE)
11	43130-24A70-000	VALVE ASSY,WHEEL RIM (TR412)	1	
12	59218-34J30-000	BOLT,FRONT BRAKE DISC	4	
13	59221-08K01-000	DISC,FRONT BRAKE,L	1	

4



535A

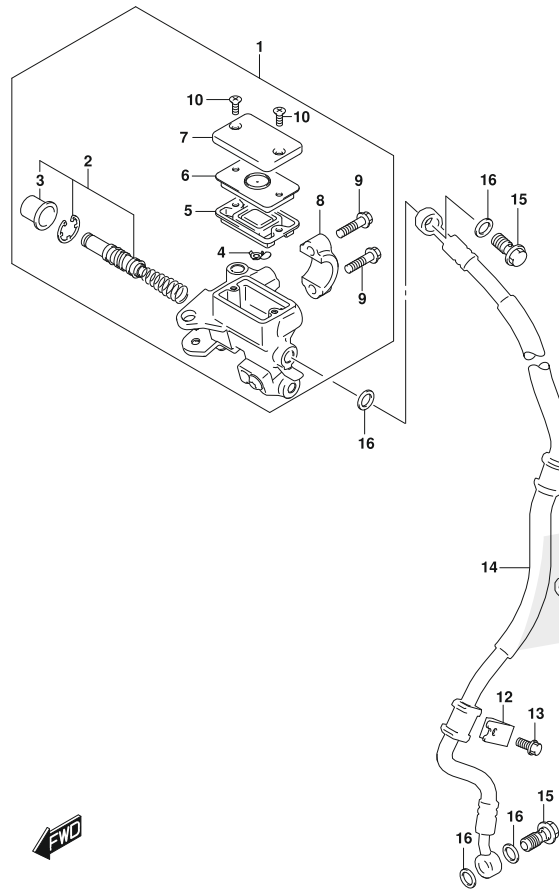
FIG. 535A (E-7) FRONT CALIPER



REF NO.	PART NO.	DESCRIPTION	QTY	REMARKS
1	59300-08K50-000	CALIPER ASSY,FRONT	1	
2	59300-08860-000	.PISTON SET	1	
3	59100-38860-000	..SEAL SET,PISTON	1	
4	59121-01A00-000	.BLEEDER	1	
5	59122-01A00-000	.CAP,BLEEDER	1	
6	59145-37F00-000	.RING,STOPPER	1	
7	59300-08850-000	.PAD SET	1	
8	59303-14500-000	.BOOT	1	
9	59314-13A00-000	.WASHER	1	
10	59315-08K00-000	.SPRING, PAD	1	
11	59333-08K00-000	.RETAINER BRACKET	1	
12	59345-08K00-000	.PIN HANGER	1	
13	59351-08K00-000	.BRACKET FR	1	
14	59382-13A00-000	.BOLT	1	
15	59386-13A00-000	.BOOT	1	
16	59387-41HA0-000	.PIN,BOLT	1	
17	59388-41HA0-000	.NUT	1	
18	01550-0825A-000	BOLT	2	

537A

FIG. 537A (E-8) FRONT MASTER CYLINDER



REF NO.	PART NO.	DESCRIPTION	QTY	REMARKS
1	59600-14L00-000	CYLINDER ASSY,FRONT MASTER	1	
2	59600-46810-000	.PISTON & CUP SET	1	
3	59666-44300-000	.BOOT	1	
4	59664-32F00-000	.PROTECTOR	1	
5	59667-04700-000	.DIAPHRAGM	1	
6	59668-14F00-000	.PLATE,DIAPHRAGM	1	
7	59669-21D20-000	.CAP	1	
8	59671-36500-000	.HOLDER,MASTER CYLINDER	1	
9	59675-06F10-000	.BOLT (6X22)	2	
10	69689-49300-000	.SCREW	2	
11	59260-14L00-000	CLAMP,FR BRAKE HOSE	1	
12	59267-08K10-000	CLAMP,BRAKE HOSE	1	
13	01547-0612A-000	BOLT	2	
14	59480-14L00-000	HOSE,FRONT BRAKE	1	
15	59492-30H30-000	BOLT,BRAKE FLUID	2	
16	09168-10033-000	WASHER (10.2X15X1.4)	4	

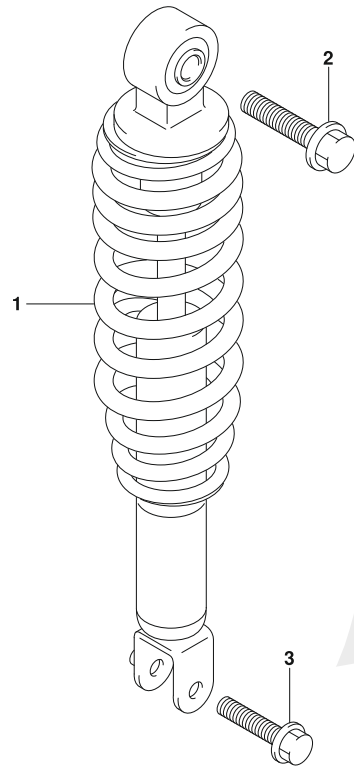
4

UN125NEAM2_P74_537A
FRONT MASTER CYLINDER

545A

FIG. 545A (E-9) REAR SHOCK ABSORBER

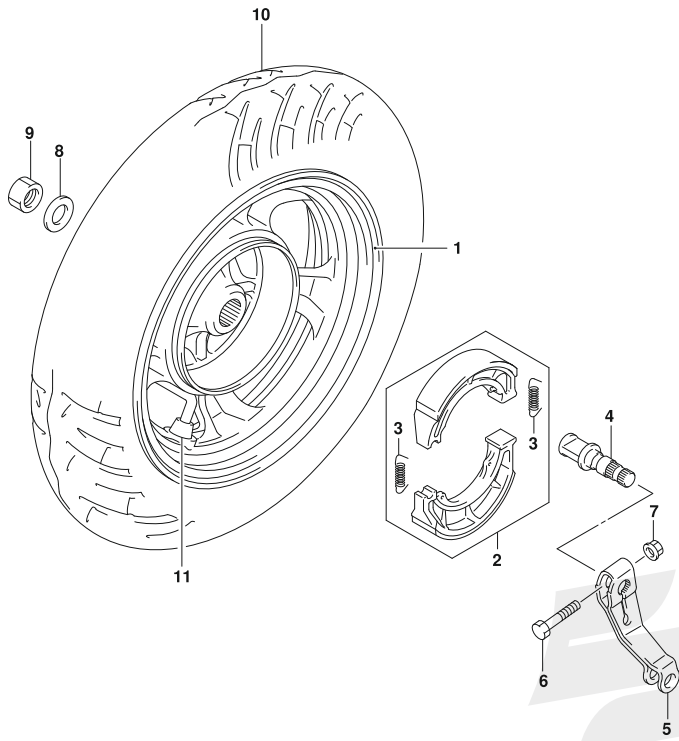
REF NO.	PART NO.	DESCRIPTION	QTY	REMARKS
1	62100-08K10-000	ABSORBER ASSY,REAR SHOCK	1	
2	01550-1040A-000	BOLT	1	
3	01550-0835A-000	BOLT (8X35)	1	



UN125NEAM2_P74_545A
REAR SHOCK ABSORBER

550A

FIG. 550A (E-10) REAR WHEEL



REF NO.	PART NO.	DESCRIPTION	QTY	REMARKS
1	64150-08K10-019	WHEEL,REAR (10X2.15,BLACK)	1	
2	64400-08K10-000	SHOE SET,REAR BRAKE	1	
3	54424-28G00-000	.SPRING	2	
4	64441-09J20-000	CAM,REAR BRAKE	1	
5	64451-09J80-000	LEVER,REAR BRAKE CAM	1	
6	09100-06139-000	BOLT (6X31)	1	
7	08316-1006A-000	NUT (6X12)	1	
8	64723-39J00-000	WASHER,REAR AXLE	1	
9	08319-2116A-000	NUT	1	
10	55110-25J01-000	TIRE	1	(NON-SERVICEABLE)
11	43130-41D90-000	VALVE ASSY,WHEEL RIM (PVR70)	1	

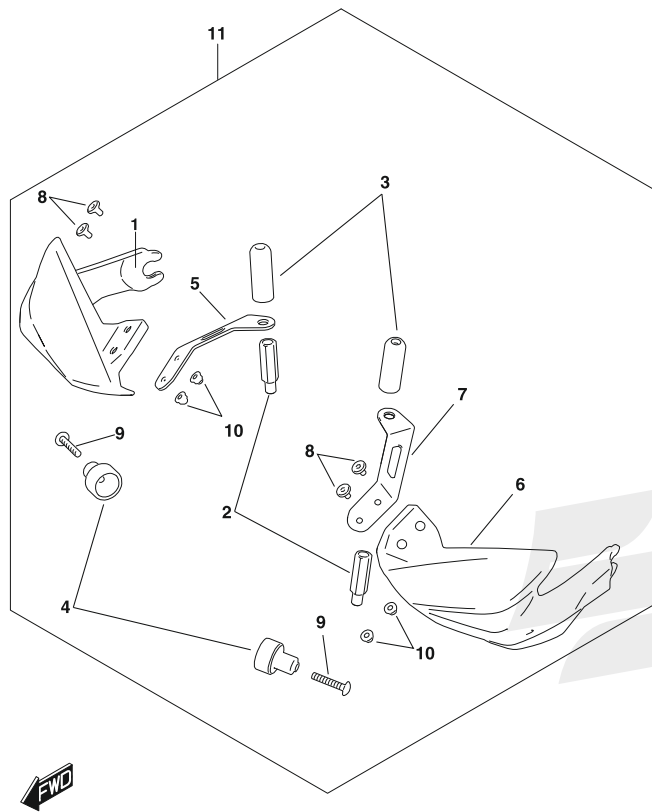
4



UN125NEAM2_P74_550A
REAR WHEEL

970A

FIG. 970A (E-11) OPTIONAL (COVER SET, KNUCKLE)

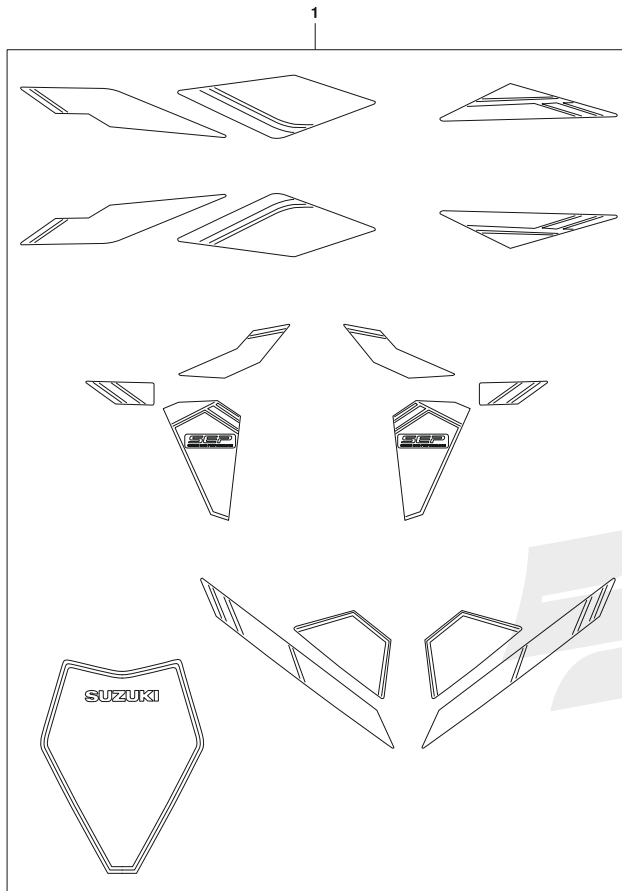


REF NO.	PART NO.	DESCRIPTION	QTY	REMARKS
1	57341-14L00-000	COVER, KNUCKLE, R	1	
2	57344-14L00-000	BOLT, ADAPTER UNDER	2	
3	57345-14L00-000	BOOT, MIRROR UPPER	2	
4	57346-14L00-000	SPACER, KNUCKLE COVER	2	
5	57472-14L00-000	BRACKET, KNUCKLE COVER, R	1	
6	57541-14L00-000	COVER, KNUCKLE, L	1	
7	57672-14L00-000	BRACKET, KNUCKLE COVER, L	1	
8	09139-05098-000	BOLT	4	
9	02142-0635B-000	SCREW	2	
10	08313-2005B-000	NUT	4	
11	57300-14810-000	COVER SET, KNUCKLE	1	

970B

FIG. 970B (E-12) OPTIONAL (TAPE SET)

REF NO.	PART NO.	DESCRIPTION	QTY	REMARKS
1-1	68100-14810-A8D	TAPE SET (WHITE,GRAY)	1	BODY COLOR:A8D
1-2	68100-14810-CC7	TAPE SET (ORANGE, BLACK)	1	BODY COLOR:CC7
1-3	68100-14810-CC8	TAPE SET (GREEN, GRAY)	1	BODY COLOR:CC8
1-4	68100-14810-KGL	TAPE SET (BLACK)	1	BODY COLOR:KGL



4

UN125NEAM2_P74_970B
OPTIONAL (TAPE SET)

970C

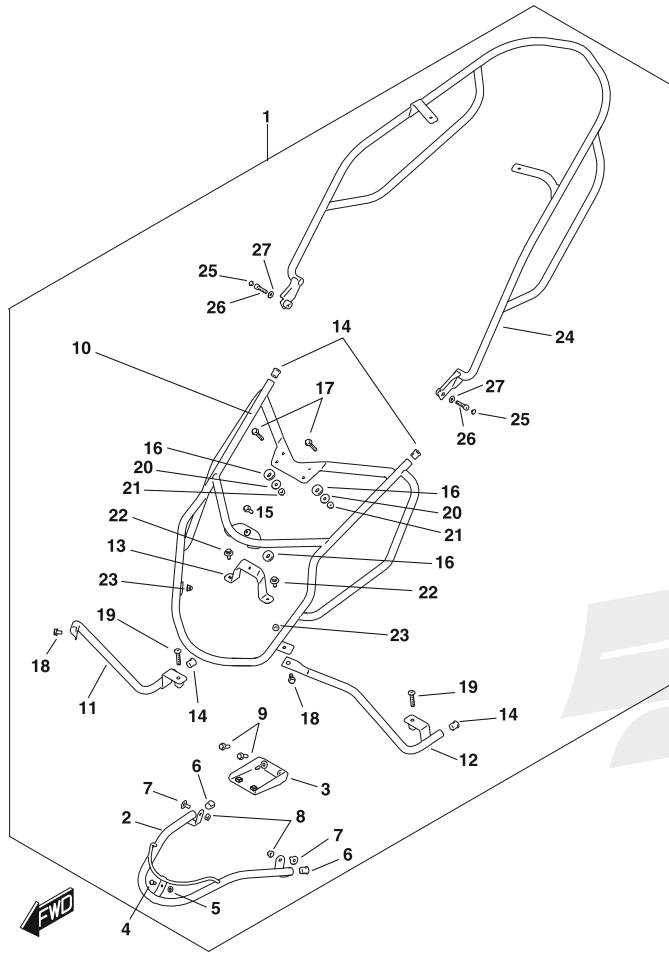


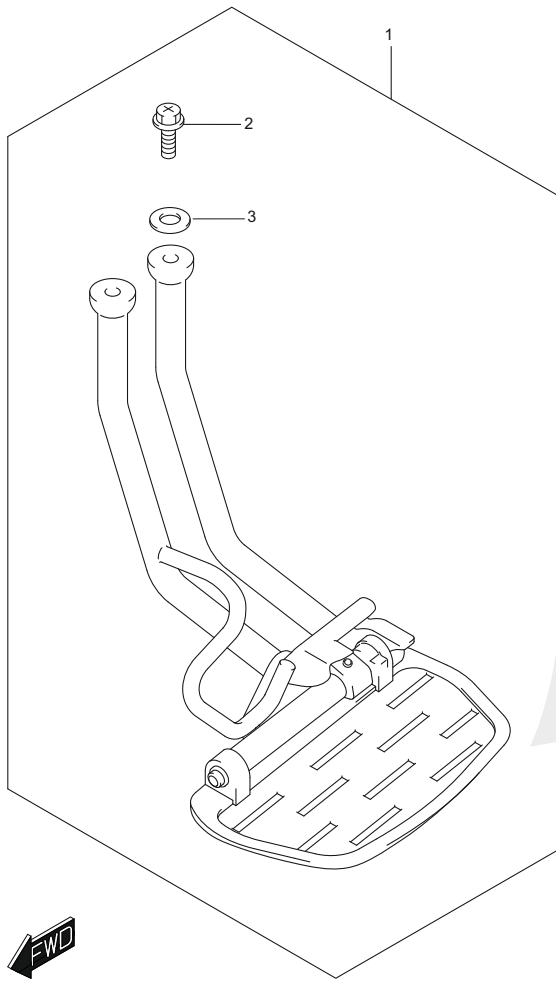
FIG. 970C (E-13) OPTIONAL (ACCESSORY BAR SET)

REF NO.	PART NO.	DESCRIPTION	QTY	REMARKS
1	94200-14810-000	BAR SET, ACCESSORY	1	
2	94210-14L00-000	BAR FR, ACCESSORY	1	
3	53120-14L00-000	BRACE, FR FENDER	1	
4	09229-04018-000	RIVET	1	
5	08322-0105A-000	WASHER	1	
6	94221-44K00-000	CAP	2	
7	09139-06219-000	BOLT (6X13)	2	
8	08316-1006A-000	NUT	2	
9	01550-0620A-000	BOLT	2	
10	94280-14L00-000	BAR, LEG FR ACCESSORY	1	
11	94230-14L00-000	BAR, LEG SIDE ACCESSORY, R	1	
12	94240-14L00-000	BAR, LEG SIDE ACCESSORY, L	1	
13	94290-14L00-000	BRACE, LEG FR ACCESSORY BAR	1	
14	94221-44K00-000	CAP	4	
15	01550-0620A-000	BOLT	1	
16	47161-23J00-000	CUSHION	3	
17	01550-0635A-000	BOLT	2	
18	01550-0610A-000	BOLT	2	
19	94231-14L00-000	BOLT	2	
20	09160-06060-000	WASHER	2	
21	08316-1006A-000	NUT	2	
22	63115-08K10-000	BOLT	2	
23	08313-2006A-000	NUT	2	
24	94810-14L00-000	BAR, RR ACCESSORY	1	
25	09250-05009-000	CAP	2	
26	07130-0625A-000	BOLT	2	
27	09160-06124-000	WASHER	2	

970D

FIG. 970D (E-14) OPTIONAL (TUBE SET, RR FOOTREST SIDE)

REF NO.	PART NO.	DESCRIPTION	QTY	REMARKS
1	43600-02830-000	TUBE SET, RR FOOTREST SIDE	1	
2	01550-0820B-000	BOLT	2	
3	09160-08025-000	WASHER (8.5X25X2.3)	2	



4



UN125NEAM2_P74_970D
OPTIONAL (TUBE SET, RR FOOTREST SIDE)

PARTS NUMBER INDEX

PART NO.	FIG.NO.	REF NO.	PART NO.	FIG.NO.	REF NO.	PART NO.	FIG.NO.	REF NO.
00000			02112-3512A-000	301A	12	08319-3110A-000	401A	6
			02122-0616A-000	211A	18	08319-3110A-000	407A	10
			02142-0510B-000	462A	26	08322-0105A-000	435A	16
			02142-0512A-000	456A	4	08322-0105A-000	445A	16
			02142-0512A-000	463A	4	08322-0105A-000	970C	5
01421-0616A-000	163A	5	02142-0512B-000	463A	5	08322-0106A-000	440A	23
01421-0625A-000	103A	9	02142-0635B-000	970A	9	08331-31149-000	240A	5
01547-0610A-000	172A	12	03211-04207-000	339A	12	08331-31249-000	211A	11
01547-0610A-000	172A	13	03541-0416A-000	330A	3	08332-1103A-000	467A	19
01547-0610A-000	172A	14	03541-0416A-000	350A	11	08332-1104A-000	467A	20
01547-0610A-000	427A	15	03541-0416B-000	463A	6	08332-10159-000	170A	4
01547-0610A-000	462A	20	03541-0512A-000	427A	16	08341-31039-000	303A	8
01547-0610A-000	462A	24	03541-0516A-000	181A	7	09100-06139-000	550A	6
01547-0612A-000	112A	8	03541-0516A-000	181A	10	09103-06247-000	127A	4
01547-0612A-000	537A	13	03541-0516A-000	334A	5	09103-06501-000	103A	6
01547-0620A-000	127A	8	03541-0516A-000	339A	3	09103-10126-000	462A	5
01547-0620A-000	140A	12	03541-0516A-000	435A	6	09106-05028-000	126A	4
01547-0620A-000	312A	12	03541-0516A-000	438A	7	09106-08211-000	429A	8
01547-0620A-000	467A	17	03541-0516A-000	440A	17	09108-08302-000	107A	3
01547-0625A-000	112A	5	03541-0516A-000	440A	22	09111-06072-000	440A	3
01547-0625A-000	170A	5	03541-0516A-000	445A	11	09111-06102-000	474A	8
01547-0625A-000	181A	6	03541-0516A-000	456A	8	09111-06106-000	405A	4
01547-0625A-000	181A	9	03541-0516A-000	462A	7	09111-06255-000	460A	2
01547-0625A-000	312A	6	03541-0516A-000	463A	7	09116-06097-000	420A	8
01547-0630A-000	108A	17	03541-0516A-000	505A	5	09116-06103-000	155A	14
01547-0630A-000	301A	14	03541-0516B-000	438A	8	09119-06138-000	102A	5
01547-0655A-000	108A	5	03541-0516B-000	445A	12	09139-05098-000	970A	8
01547-0655A-000	108A	18	03541-0520A-000	155A	12	09139-06165-000	462A	6
01547-0680A-000	170A	8	03541-0520A-000	339A	15	09139-06217-000	163A	20
01547-0690A-000	112A	6	03541-0520A-000	456A	9	09139-06219-000	970C	7
01547-0695A-000	108A	6	03541-0520B-000	440A	4	09140-12055-000	210A	23
01550-0510A-000	462A	25	03541-0616A-000	435A	15	09140-12055-000	210A	27
01550-0512A-000	126A	13	04111-2515A-000	415A	4	09148-05060-000	435A	5
01550-0610A-000	970C	18	04111-3020A-000	407A	4	09148-05060-000	435A	12
01550-0612A-000	181A	2	06111-06004-000	524A	7	09148-05060-000	438A	4
01550-0612A-000	350A	23	06111-06004-000	524A	9	09148-05060-000	440A	16
01550-0612A-000	438A	6	06111-07004-000	415A	6	09148-05060-000	440A	20
01550-0612A-000	456A	7	06112-07004-000	240A	11	09148-05060-000	445A	8
01550-0612A-000	474A	10	07130-0612A-000	303A	5	09148-05060-000	474A	9
01550-0616A-000	163A	6	07130-0612A-000	303A	6	09150-06010-000	462A	18
01550-0616A-000	352A	2	07130-0616A-000	330A	5	09160-04026-000	330A	2
01550-0616B-000	163A	21	07130-0625A-000	140A	14	09160-05501-000	339A	13
01550-0620A-000	350A	21	07130-0625A-000	303A	4	09160-06028-000	163A	9
01550-0620A-000	970C	9	07130-0625A-000	970C	26	09160-06060-000	970C	20
01550-0620A-000	970C	15	08110-6202A-000	211A	6	09160-06124-000	970C	27
01550-0635A-000	970C	17	08110-62030-000	211A	15	09160-06151-000	163A	10
01550-0812A-000	107A	6	08133-6300B-000	530A	2	09160-08025-000	970D	3
01550-0812A-000	108A	11	08133-6300B-000	530A	3	09160-08164-000	103A	5
01550-0812A-000	108A	13	08211-12223-000	210A	24	09160-14053-000	240A	4
01550-0820B-000	970D	2	08211-12223-000	210A	28	09166-24001-000	524A	10
01550-0825A-000	505A	15	08313-2005B-000	970A	10	09168-06004-000	127A	5
01550-0825A-000	535A	18	08313-2006A-000	970C	23	09168-08008-000	107A	5
01550-0835A-000	545A	3	08316-1006A-000	103A	10	09168-08008-000	108A	10
01550-0840A-000	405A	2	08316-1006A-000	163A	8	09168-08008-000	108A	12
01550-1040A-000	163A	7	08316-1006A-000	550A	7	09168-10033-000	537A	16
01550-1040A-000	545A	2	08316-1006A-000	970C	8	09180-06256-000	163A	11
02112-0408A-000	429A	11	08316-1006A-000	970C	21	09180-06343-000	163A	12
02112-0416A-000	429A	15	08316-1008A-000	103A	4	09181-12167-000	211A	3
02112-0510A-000	102A	7	08316-1010A-000	108A	9	09181-25051-000	211A	13
02112-0525A-000	467A	21	08316-1010A-000	303A	7	09200-08077-000	415A	3
02112-0612A-000	103A	12	08319-2106A-000	467A	8	09206-08008-000	108A	16
02112-0612A-000	505A	8	08319-2106A-000	467A	18	09206-08008-000	112A	4
02112-3406A-000	301A	10	08319-2116A-000	550A	9	09206-08008-000	126A	5
02112-3408A-000	301A	11	08319-3105A-000	339A	17	09206-10014-000	108A	4
02112-3510A-000	352A	4	08319-3106A-000	333A	5	09206-10016-000	103A	7

PART NO.	FIG.NO.	REF NO.	PART NO.	FIG.NO.	REF NO.	PART NO.	FIG.NO.	REF NO.
09206-10016-000	107A	4	10000	13740-02L20-000	155A	3		
09209-11002-000	462A	19		13746-08K00-000	155A	4		
09229-04018-000	970C	4		13746-08K00-000	155A	6		
09250-05009-000	970C	25		13755-54G00-000	155A	2		
09251-04004-000	427A	8		13825-08K00-000	155A	9		
09261-05005-000	126A	6	11110-02L00-000	103A	1	13850-02L10-000	155A	13
09262-12034-000	211A	7	11141-35J00-000	103A	3	13856-02L10-000	155A	11
09262-12035-000	211A	8	11170-02L10-000	102A	1	13871-41H00-000	155A	10
09262-20171-000	211A	4	11173-02L00-000	102A	2	13891-08K00-000	155A	5
09262-22041-000	211A	16	11176-02L00-000	102A	3	14180-44K10-000	163A	15
09280-17003-000	108A	20	11177-08K00-000	102A	4	14181-30A30-000	163A	1
09280-26017-000	140A	16	11191-27E70-000	102A	6	14310-14L20-000	163A	2
09283-16L03-000	120A	2	11210-02L00-0F0	107A	1	14760-44K01-000	163A	16
09283-20069-000	211A	5	11241-08K00-000	107A	2	14780-44K10-000	163A	3
09283-29007-000	211A	14	11301-08840-000	108A	1	14782-44K00-000	163A	4
09289-05019-000	126A	20	11315-39J00-000	108A	2	14791-44K30-000	163A	17
09320-08082-000	163A	14	11316-39J00-000	108A	3	14795-10FA0-000	163A	18
09320-08102-000	163A	13	11325-09J00-000	108A	7	15100-02L00-000	172A	1
09381-10004-000	103A	2	11325-09J00-000	112A	2	15121-02L10-000	172A	4
09381-12001-000	120A	7	11340-08K40-000	112A	1	15201-02L00-000	172A	5
09383-08002-000	240A	9	11346-08K00-000	112A	7	15420-02L00-000	172A	2
09400-45L01-000	429A	9	11383-39J10-000	112A	9	15424-09J00-000	172A	3
09401-08001-000	427A	9	11430-39840-000	108A	14	15710-02L00-000	140A	8
09401-09101-000	427A	10	11482-08K00-000	112A	3	15716-42J00-000	140A	9
09401-09101-000	427A	11	11484-39J30-000	108A	15	15722-02L00-000	140A	10
09401-09406-000	427A	17	11611-39J00-000	108A	8	15810-02L01-000	172A	6
09401-09L03-000	427A	23	11971-09J00-000	108A	19	15830-02L00-000	140A	11
09401-10401-000	427A	12	12100-08K60-050	120A	8	15891-02L00-000	172A	7
09401-12418-000	155A	8	12111-08K10-0F0	120A	4	15892-02L00-000	172A	8
09401-13102-000	427A	13	12140-08K50-000	120A	5	15893-02L00-000	172A	9
09401-20002-000	429A	10	12151-43J00-000	120A	6	15894-02L00-000	172A	10
09402-42001-000	112A	11	12200-08K51-000	120A	1	16331-08K00-000	170A	1
09402-46209-000	112A	10	12227-08K00-000	120A	3	16400-08K00-000	170A	2
09404-06429-000	172A	11	12710-02L00-000	126A	1	16421-20E00-000	170A	3
09404-06429-000	181A	12	12714-34J10-000	126A	3	16422-09J00-000	170A	6
09404-06429-000	339A	14	12740-08K00-000	126A	2	16423-09J00-000	170A	7

PART NO.	FIG.NO.	REF NO.	PART NO.	FIG.NO.	REF NO.	PART NO.	FIG.NO.	REF NO.
21214-08K00-000	210A	16	34100-14L10-000	330A	1	42211-39J00-000	407A	2
21215-08K10-000	210A	15	34810-14L00-000	172A	15	42251-32G00-000	407A	5
21216-08K00-000	210A	18	34990-44K01-000	330A	4	42275-25J00-000	407A	3
21220-08K10-000	210A	22	35100-14L00-000	333A	1	42278-44K00-000	407A	7
21240-08K10-000	210A	6	35151-44J00-000	333A	2	42310-02L00-000	407A	8
21243-08K00-000	210A	7	35157-34J00-000	474A	1	42341-27K00-000	407A	11
21245-09J00-000	210A	8	35222-34J80-000	334A	7	42421-02L00-000	407A	9
21246-08K00-000	210A	9	35222-34J80-000	334A	13	43130-24A70-000	530A	11
21247-08K00-000	210A	17	35601-14L00-000	334A	1	43130-41D90-000	550A	11
21247-08K00-000	210A	29	35602-14L00-000	334A	3	43600-02830-000	970D	1
21248-08K00-000	210A	10	35603-20LA0-000	334A	6	43611-44K10-000	415A	1
21431-33G00-000	210A	19	35604-20LA0-000	334A	12	43621-44K10-000	415A	2
21471-08K00-000	210A	12	35616-34J00-000	334A	8	44110-14L00-000	420A	1
21472-08K00-000	210A	11	35616-34J00-000	334A	14	44160-14L00-000	429A	2
21481-08K00-000	210A	20	35623-34J00-000	334A	9	44190-14L10-000	429A	3
21501-08K10-000	210A	13	35623-34J00-000	334A	15	44210-14L00-000	429A	12
21518-09J00-000	210A	14	35623-34J30-000	334A	10	44218-14L00-000	429A	13
21650-08K10-000	210A	21	35623-34J30-000	334A	16	44230-14L00-000	429A	16
24131-33G80-000	211A	1	35623-34J40-000	334A	11	44231-14L00-000	429A	17
24141-08K10-000	211A	9	35623-34J40-000	334A	17	44240-13H00-000	427A	19
24142-08K00-000	211A	12	35629-34J30-000	334A	18	44281-02L00-000	420A	2
24150-39J40-000	211A	2	35690-41K00-000	435A	7	44281-02L00-000	429A	4
24371-39J10-000	211A	10	35701-14L00-000	339A	1	44281-14L00-000	429A	14
24741-20A10-000	103A	11	35702-14L00-000	339A	2	44281-29C00-000	420A	3
24751-09J00-000	211A	17	35910-16G00-000	339A	4	44422-14L00-000	429A	5
26200-39J00-000	240A	6	35912-30H01-000	339A	5	44423-14L00-000	429A	20
26210-08K00-000	240A	1	35913-30H00-000	339A	6	44424-14L00-000	429A	6
26212-46G00-000	240A	2	35915-30H00-000	339A	7	44434-14L00-000	427A	20
26213-39J00-000	240A	3	35916-30H00-000	339A	8	44435-14L00-000	427A	22
26231-08K00-000	210A	26	35917-30H00-000	339A	9	44541-44J00-000	420A	5
26300-08K00-000	240A	7	35926-30H00-000	339A	10	44542-44J00-000	420A	6
26314-33G30-000	240A	12	35950-20L00-000	333A	4	44544-27K00-000	420A	7
26351-08K00-000	240A	8	35970-28G00-000	339A	16	44894-39J10-000	427A	18
27601-08K10-000	210A	25	36610-14L00-000	350A	1	45100-14L00-CC9	505A	1
			36851-14L00-000	420A	4	45148-20G80-000	505A	2
			36852-44K01-000	350A	12	45148-20GJ0-000	505A	3
			36990-70F20-000	350A	4	45211-44K00-000	505A	6
			37011-08K20-000	352A	5	45271-32G10-000	505A	4
			37100-08K10-000	352A	1	45280-14L00-000	505A	9
			37155-08810-000	352A	3	45288-20G20-000	429A	18
31100-08K21-000	301A	1	37330-02L11-000	350A	14	45700-33G40-000	505A	7
31130-08K20-000	301A	2	37420-02L11-000	350A	15	46211-14L00-PGZ	505A	13-3
31131-08K20-000	301A	3	37510-33G11-000	350A	16	46211-14L00-QVN	505A	13-2
31132-08K20-000	301A	4	37520-33G11-000	350A	17	46211-14L00-YKV	505A	13-4
31135-08K20-000	301A	5	37760-14L00-000	467A	24	46211-14L00-YPA	505A	13-1
31142-08K20-000	301A	6	37840-02L00-000	350A	18	46231-14L00-PGZ	505A	14-3
31156-32G00-000	301A	7	38500-02L00-000	350A	22	46231-14L00-QVN	505A	14-2
31157-08K20-000	301A	8	38610-23J10-000	334A	19	46231-14L00-YKV	505A	14-4
31173-08K20-000	301A	9	38610-27K00-000	334A	20	46231-14L00-YPA	505A	14-1
31370-32G01-000	301A	13	39105-44K00-000	350A	13	47111-14L00-PGZ	445A	1-3
31497-39J00-000	303A	1				47111-14L00-QVN	445A	1-2
31800-23J20-000	312A	1				47111-14L00-YKV	445A	1-4
32101-02L00-000	303A	2				47111-14L00-YPA	445A	1-1
32102-02L00-000	303A	3				47121-14L00-000	445A	2
32800-02L01-000	312A	2				47131-14L00-PGZ	445A	3-1
32830-14L00-000	312A	3	41100-14L00-000	401A	1	47131-14L00-YRD	445A	3-3
32832-14L00-000	312A	4	41170-09J10-000	401A	4	47131-14L00-YVB	445A	3-2
32832-14L10-000	312A	5	41180-02L00-000	401A	2	47161-23J00-000	970C	16
32920-02L31-000	312A	7	41184-39J00-000	401A	3	47162-30H00-000	429A	7
33410-02L10-000	312A	8	41185-08K00-000	401A	7	47162-30H00-000	435A	8
33510-08K00-000	312A	9	41185-09J00-000	401A	8	47211-14L00-PGZ	445A	4-3
33541-08K00-000	312A	10	41189-39J00-000	401A	5	47211-14L00-QVN	445A	4-2
33542-08K00-000	312A	11	41521-14L00-000	405A	3	47211-14L00-YKV	445A	4-4
33610-39J30-000	310A	1	41540-14L00-000	405A	1	47211-14L00-YPA	445A	4-1
33652-34J00-000	401A	9	42100-02L00-000	407A	1	47231-14L00-PGZ	445A	5-1

PART NO.	FIG.NO.	REF NO.	PART NO.	FIG.NO.	REF NO.	PART NO.	FIG.NO.	REF NO.
47231-14L00-YRD	445A	5-3	51195-33G50-000	521A	26	57526-14L00-000	467A	15
47231-14L00-YVB	445A	5-2	51196-33G10-000	521A	12	57541-14L00-000	970A	6
47311-14L00-000	445A	6	51196-33G10-000	521A	27	57621-14L00-000	467A	16
48111-14L00-PGZ	435A	1-1	51351-33G10-000	521A	15	57672-14L00-000	970A	7
48111-14L00-YRD	435A	1-3	51351-33G10-000	521A	30	58110-14L00-000	462A	12
48111-14L00-YVB	435A	1-2	51358-09G00-000	462A	1	58162-14L00-000	462A	13
48112-14L00-PGZ	435A	2-3	51410-08K10-000	524A	1	58300-44K30-000	462A	21
48112-14L00-QVN	435A	2-2	51434-08K10-000	524A	3	58300-44K40-000	462A	22
48112-14L00-YKV	435A	2-4	51435-33G10-000	524A	13	58510-44K20-000	462A	14
48112-14L00-YPA	435A	2-1	51600-28810-000	524A	14	58562-08K00-000	462A	15
48113-14L00-PGZ	435A	3-3	51611-41H01-000	524A	5	58575-39J00-000	462A	16
48113-14L00-QVN	435A	3-2	51612-41H01-000	524A	4	58577-39J10-000	462A	17
48113-14L00-YKV	435A	3-4	51621-41H00-000	524A	8	58620-02L10-000	462A	23
48113-14L00-YPA	435A	3-1	51622-41H00-000	524A	2	59100-38860-000	535A	3
48114-14L00-000	435A	4	51631-05000-000	524A	11	59121-01A00-000	535A	4
48121-14L00-000	440A	1	51631-05000-000	524A	12	59122-01A00-000	535A	5
48131-44K10-000	438A	1	51643-06001-000	524A	6	59145-37F00-000	535A	6
48132-14L00-PGZ	435A	9-3	51831-30H00-000	333A	3	59218-34J30-000	530A	12
48132-14L00-QVN	435A	9-2	53111-14L00-PGZ	460A	1-3	59221-08K01-000	530A	13
48132-14L00-YKV	435A	9-4	53111-14L00-QVN	460A	1-2	59260-14L00-000	537A	11
48132-14L00-YPA	435A	9-1	53111-14L00-YKV	460A	1-4	59267-08K10-000	537A	12
48133-14L00-PGZ	435A	10-3	53111-14L00-YPA	460A	1-1	59300-08850-000	535A	7
48133-14L00-QVN	435A	10-2	53120-14L00-000	970C	3	59300-08860-000	535A	2
48133-14L00-YKV	435A	10-4	54111-08K70-019	530A	1	59300-08K50-000	535A	1
48133-14L00-YPA	435A	10-1	54422-28G00-000	550A	3	59303-14500-000	535A	8
48134-14L00-PGZ	438A	2-3	54771-11F00-000	530A	5	59314-13A00-000	535A	9
48134-14L00-QVN	438A	2-2	54731-02L00-000	530A	4	59315-08K00-000	535A	10
48134-14L00-YKV	438A	2-4	54741-02L00-000	530A	7	59333-08K00-000	535A	11
48134-14L00-YPA	438A	2-1	54751-02L00-000	530A	8	59345-08K00-000	535A	12
48135-14L00-PGZ	438A	3-3	54841-23J00-000	530A	6	59351-08K00-000	535A	13
48135-14L00-QVN	438A	3-2	55110-08K01-000	530A	10	59382-13A00-000	535A	14
48135-14L00-YKV	438A	3-4	55110-25J01-000	550A	10	59386-13A00-000	535A	15
48135-14L00-YPA	438A	3-1	56110-14L00-000	462A	2	59387-41HA0-000	535A	16
48191-02L00-000	435A	14	56311-14L00-PGZ	463A	1-3	59388-41HA0-000	535A	17
			56311-14L00-QVN	463A	1-2	59480-14L00-000	537A	14
			56311-14L00-YKV	463A	1-4	59492-30H30-000	537A	15
			56311-14L00-YPA	463A	1-1	59600-14L00-000	537A	1
			56312-14L00-YVB	463A	2	59600-46810-000	537A	2
			56321-14L00-000	463A	3	59664-32F00-000	537A	4
			56500-34JA0-000	462A	8	59666-44300-000	537A	3
51103-44K00-291	521A	1	56533-33G60-000	462A	9	59667-04700-000	537A	5
51104-44K00-291	521A	16	56533-33G60-000	462A	11	59668-14F00-000	537A	6
51110-08K10-000	521A	9	56600-34JA0-000	462A	10	59669-21D20-000	537A	7
51110-08K10-000	521A	24	57100-02L00-000	467A	1	59671-36500-000	537A	8
51117-33G10-000	521A	6	57110-30H10-000	467A	2	59675-06F10-000	537A	9
51117-33G10-000	521A	21	57211-22D11-000	467A	3			
51131-44K00-291	521A	2	57216-02L01-000	462A	3			
51141-44K00-291	521A	17	57300-14810-000	970A	11			
51146-44K00-000	521A							

SUZUKI GENUINE MERCHANDISE



PART NO	ENGLISH NAME
99000F10718C00M	SUZUKI YLW RIDING JCKT Size:M/99cm
99000F10718C00L	SUZUKI YLW RIDING JCKT Size:L/104cm
99000F10718C0XL	SUZUKI YLW RIDING JCKT Size:XL/109cm
99000F10718CXXL	SUZUKI YLW RIDING JCKT Size:XXL/115cm



PART NO	ENGLISH NAME
99000F10417C000	WIND CHEATER



PART NO	ENGLISH NAME
99000F10717C00M	NEW MOTO GP SHIRT-M Size/110cm
99000F10717C00L	NEW MOTO GP SHIRT-L Size/115cm
99000F10717C0XL	NEW MOTO GP SHIRT-XL Size/120cm
99000F10717CXXL	NEW MOTO GP SHIRT-XXL Size/125cm



PART NO	ENGLISH NAME
99000F10700C00M	SUZUKI F.MASK NAVY M-12(H)*20(W)CM
99000F10700C00L	SUZUKI F.MASK NAVY L-14(H)*22(W)CM
99000F10701C00M	SUZUKI F.MASK ANTHRA M-12(H)*20(W)CM
99000F10701C00L	SUZUKI F.MASK ANTHRA L-14(H)*22(W)CM
99000F10702C00M	HAYABUSA F.MASK BLK M-12(H)*20(W)CM
99000F10702C00L	HAYABUSA F.MASK BLK L-14(H)*22(W)CM



PART NO	ENGLISH NAME
99000F10629C00M	MESH RIDING GLOVES-M
99000F10629C00L	MESH RIDING GLOVES-L
99000F10629C0XL	MESH RIDING GLOVES-XL

SUZUKI GENUINE ACCESSORIES



PART NO	ENGLISH NAME
99000F10685CB0M	HELMET_OF_ECO_BLU_M
99000F10685CB0L	HELMET_OF_ECO_BLU_L
99000F10685CBXL	HELMET_OF_ECO_BLU_XL
99000F10685CR0M	HELMET_OF_ECO_RED_M
99000F10685CR0L	HELMET_OF_ECO_RED_L
99000F10685CRXL	HELMET_OF_ECO_RED_XL



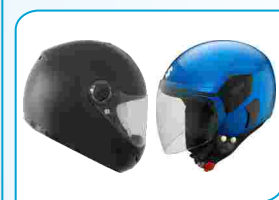
PART NO	ENGLISH NAME	MODEL
56500-33GM0-000	MIRROR ASSY, REAR VIEW RH	UZ125L7~
56600-33GM0-000	MIRROR ASSY, REAR VIEW LH	UZ125N~



PART NO	ENGLISH NAME
99000F10650C00M	HELMET_ECO_FF_BLK_M
99000F10650C00L	HELMET_ECO_FF_BLK_L
99000F10650C0XL	HELMET_ECO_FF_BLK_XL
99000F10649C00M	HELMET_ECO_OF_BLK_M
99000F10649C00L	HELMET_ECO_OF_BLK_L
99000F10649C0XL	HELMET_ECO_OF_BLK_XL



PART NO	ENGLISH NAME	MODEL
99000F10551C000	CHROME MIRROR LH	UN125M2~
99000F10552C000	CHROME MIRROR RH	UB125L9~
99000F10553C000	CHROME MIRROR KIT	GL150L8~



PART NO	ENGLISH NAME
99000F10587C000	HELMET_FF_BLK
99000F10571C00S	HELMET_OF_BLU_S



PART NO	ENGLISH NAME	MODEL
94600-02810-000	VISOR SET, METER	UZ125N~



PART NO	ENGLISH NAME
99000F10673C00M	HELMET_PRE_ECO_OF_2_M
99000F10673C00L	HELMET_PRE_ECO_OF_2_L
99000F10673C0XL	HELMET_PRE_ECO_OF_2_XL
99000F10672C00M	HELMET_PRE_ECO_OF_1_M
99000F10672C00L	HELMET_PRE_ECO_OF_1_L
99000F10672C0XL	HELMET_PRE_ECO_OF_1_XL



PART NO	ENGLISH NAME	MODEL
38850-39J00-000	TERMINAL, POWER SOURCE (MOBILE CHARGER)	UR110L7~ UZ125L7~
39105-44K00-000	SOCKET, USB	UZ125N~ UB125L9~



PART NO	ENGLISH NAME
99000F10410GB0M	HELMET_FF_BLK_M
99000F10410GB0L	HELMET_FF_BLK_L
99000F10410GBXL	HELMET_FF_BLK_XL
99000F10537CB0M	HELMET_FF_BLUE_M
99000F10537CB0L	HELMET_FF_BLUE_L
99000F10537CBXL	HELMET_FF_BLUE_XL



PART NO	ENGLISH NAME	MODEL
43600-02830-000	TUBE SET, FOOTREST	UN125M2~
43600-02810-000	TUBE SET, FOOTREST	UZ125M2~
43600-44810-000	TUBE SET, FOOTREST	UB125NM3~

SUZUKI GENUINE ACCESSORIES



PART NO	ENGLISH NAME
99000F10686C000	FLOOR MAT WITH LOCK_UB125 DESIGN 1



PART NO	ENGLISH NAME	MODEL
99000F10421C000	SEAT COVER MESH TYPE	UZ125L7~ UZ125N~



PART NO	ENGLISH NAME
99000F10687C000	FLOOR MAT WITH LOCK_UB125 DESIGN 2



PART NO	ENGLISH NAME	MODEL
99000F10538C000	SEAT COVER-UZ125L7	UZ125L7~ UZ125N~



PART NO	ENGLISH NAME	MODEL
99000F10745C000	FLOOR MAT WITH LOCK	UZ125L7~



PART NO	ENGLISH NAME	MODEL
99000F10594C000	SEAT COVER-BURGMAN	UB125EML9~



PART NO	ENGLISH NAME	MODEL
99000F10569CU1G	SEAT COVER-UZ125L7 (MAROON)	UZ125L7~ UZ125N~



PART NO	ENGLISH NAME	MODEL
99000F10593C000	BODY COVER BURGMAN	UB125EML9~



PART NO	ENGLISH NAME	MODEL
99000F10653C000	SEAT COVER-UZ125L7 (BROWN)	UZ125L7~ UZ125N~



PART NO	ENGLISH NAME	MODEL
99000F10591C000	BODY COVER- NEW ACCESS	UZ125L7~ UZ125N~

SUZUKI GENUINE ACCESSORIES



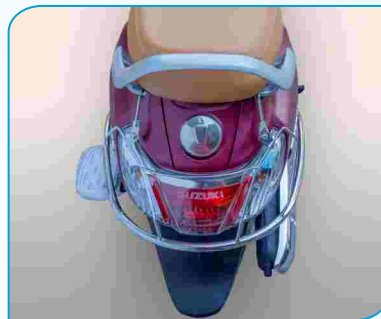
PART NO	ENGLISH NAME	MODEL
94200-44830-000	BAR SET, ACCESSORIES	UB125NM1~



PART NO	ENGLISH NAME	MODEL
99000F10546C000	GARNISH COMBO KIT	UZ125L7~ UZ125N~
99000F10548C000	CENTER & FENDER, GARNISH SET	
99000F10544C000	SIDE PROTECTOR, GARNISH SET	
99000F10545C000	TAIL LAMP, GARNISH SET	



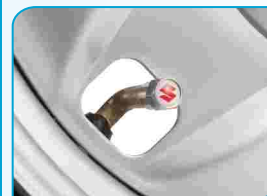
PART NO	ENGLISH NAME	MODEL
99000F10535CBLK	S LOGO KEY CHAIN- BLACK	ALL
99000F10535CBLU	S LOGO KEY CHAIN- BLUE	
99000F10535CWHT	S LOGO KEY CHAIN- WHITE	
99000F10535CTPT	S LOGO KEY CHAIN-TRNSPT	
99000F10555C000	MOTO-GP KEY CHAIN	



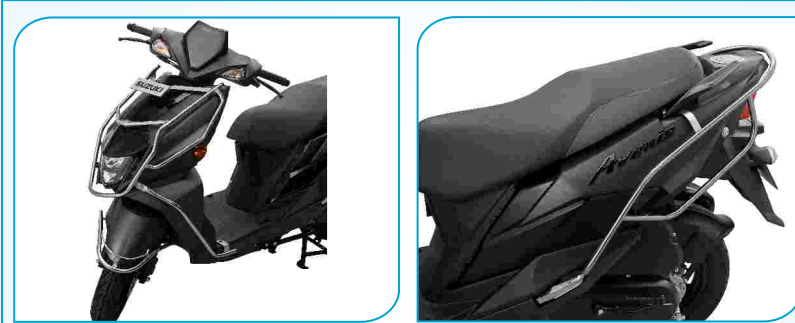
PART NO	ENGLISH NAME	MODEL
99000F10724C000	BAR SET, COMBO KIT	UZ125N~



PART NO	ENGLISH NAME	MODEL
99000F10633C000	S LEATHER KEY CHAIN	ALL MODELS



PART NO	ENGLISH NAME	MODEL
99000F10412C000	DECORATIVE VALVE CAP (SET)	ALL MODELS



PART NO	ENGLISH NAME	MODEL
94200-14810-000	BAR SET, ACCESSORY	UN125M2~



PART NO	ENGLISH NAME	MODEL
99000F10744CGRY	SEAT COVER (BLACK)	UN125M2~
99000F10744CRED	SEAT COVER (BLACK & ORANGE)	



PART NO	ENGLISH NAME	MODEL
99000F10743CRED	FLOOR BOARD COVER (RED)	UN125M2~
99000F10743CGRN	FLOOR BOARD COVER (GREEN)	



PART NO	ENGLISH NAME	MODEL
68100-14810-CC7	TAPE SET (ORANGE & BLACK)	UN125NEM2~
68100-14810-CC8	TAPE SET (GREEN & GRAY)	
68100-14810-A8D	TAPE SET (WHITE & GRAY)	
68100-14810-KGL	TAPE SET (BLACK)	



PART NO	ENGLISH NAME	MODEL
57300-14810-000	KNUCKLE COVER SET	UN125M2~



PART NO	ENGLISH NAME	MODEL
99000F10746C000	BODY COVER	UN125M2~

SUZUKI GENUINE ENGINE OIL & CHEMICALS



PART NO.	TYPE	GRADE	PACK SIZE
990P0-21040-001	10W-30	SEMI-SYNTHETIC	1Ltr.



PART NO.	TYPE	GRADE	PACK SIZE
990P0-21040-P70	10W-30	SEMI-SYNTHETIC	700ML



PART NO.	TYPE	GRADE	PACK SIZE
990P0-21030-001	10W-30	MINERAL	1Ltr



PART NO.	TYPE	GRADE	PACK SIZE
990P0-21030-P70	10W-30	MINERAL	700 ML



PART NO	TYPE	GRADE	PACK
990P0-23010-P20	BRAKE FLUID	DOT-4	200ML



PART NO	TYPE	GRADE	PACK
990P0-99010-P50	FRONT FORK OIL	2W-35	1Ltr.



PART NO	TYPE	PACK SIZE
990P0-59040-P60	ECSTAR BIKE CARE KIT	600ML



PART NO	TYPE	PACK SIZE
990P0-26010-P30	LUSTER WAX	300ML



PART NO	TYPE	PACK SIZE
990P0-59050-P40	MULTIPURPOSE SPRAY	400ML

NOTE :- KINDLY PLACE THE ENGINE OIL ORDERS DIRECTLY TO OUR AUTHORISED OIL COMPANY.

SUZUKI UN125NEAM2_P74 PART CATALOGUE

1ST EDITION

Published in 2022-3

© 2022 Suzuki Motor Corporation. All rights reserved.

No part of this document may be reproduced or transmitted in any form or by any means, electronic or mechanical, for any purpose, without the express written permission of Suzuki Motor Corporation.

SUZUKI MOTORCYCLE INDIA PRIVATE LIMITED,

Spare Parts Department

Village Kherki Dhaula, Badshahapur, NH-8,

Link Road, Gurgaon 122004 (HARYANA)

Reprint Prohibited (S)

1

INFORMATION
ILLUSTRATION INDEX

2

ENGINE
TRANSMISSION

3

ELECTRICAL

4

BODY

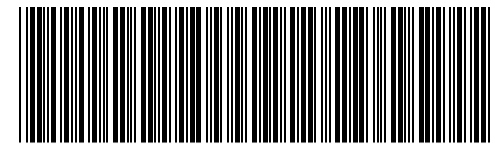
5

PARTS NUMBER INDEX

6

ACCESSORIES

SUZUKI MOTORCYCLE INDIA PVT. LTD.



9900BF14LP0C001

9900BF14LP0C001

Printed in India

