



SUZUKI

PARTS CATALOGUE

UZ125NEM2 (MB8DP12DAM)
UZ125NDM2 (MB8DP12DAM)
UZ125NHM2 (MB8DP12DAM)
UZ125NEYM2 (MB8DP12DAM)
UZ125NDYM2 (MB8DP12DAM)
UZ125NEWM2 (MB8DP12DAM)
UZ125NDWM2 (MB8DP12DAM)

Access125
**COMBINED
BRAKE**

JAN-2021

1ST EDITION

UZ125NEM2



COLOR CODE	DESCRIPTION
YBA	SUZUKI ACCESS-125 (BLUE)



COLOR CODE	DESCRIPTION
YVB	SUZUKI ACCESS-125 (BLACK)



COLOR CODE	DESCRIPTION
QMV	SUZUKI ACCESS-125 (RED)



COLOR CODE	DESCRIPTION
YPA	SUZUKI ACCESS-125 (WHITE)



COLOR CODE	DESCRIPTION
PGZ	SUZUKI ACCESS-125 (GREY)



COLOR CODE	DESCRIPTION
SAB	SUZUKI ACCESS-125 (SILVER)

UZ125NDM2



COLOR CODE	DESCRIPTION
YBA	SUZUKI ACCESS-125 (BLUE)



COLOR CODE	DESCRIPTION
YVB	SUZUKI ACCESS-125 (BLACK)



COLOR CODE	DESCRIPTION
QMV	SUZUKI ACCESS-125 (RED)



COLOR CODE	DESCRIPTION
YPA	SUZUKI ACCESS-125 (WHITE)



COLOR CODE	DESCRIPTION
SAB	SUZUKI ACCESS-125 (SILVER)

UZ125NHM2



COLOR CODE	DESCRIPTION
YBA	SUZUKI ACCESS-125 (BLUE)



COLOR CODE	DESCRIPTION
YVB	SUZUKI ACCESS-125 (BLACK)



COLOR CODE	DESCRIPTION
QMV	SUZUKI ACCESS-125 (RED)



COLOR CODE	DESCRIPTION
YPA	SUZUKI ACCESS-125 (WHITE)



COLOR CODE	DESCRIPTION
SAB	SUZUKI ACCESS-125 (SILVER)

UZ125NEYM2



COLOR CODE	DESCRIPTION
QTZ	SUZUKI ACCESS-125 (GREENISH BLUE)



COLOR CODE	DESCRIPTION
QMV	SUZUKI ACCESS-125 (RED)



COLOR CODE	DESCRIPTION
YPA	SUZUKI ACCESS-125 (WHITE)



COLOR CODE	DESCRIPTION
YKV	SUZUKI ACCESS-125 (MAT. BLACK)

UZ125NDYM2



COLOR CODE	DESCRIPTION
QTZ	SUZUKI ACCESS-125 (GREENISH BLUE)



COLOR CODE	DESCRIPTION
QMV	SUZUKI ACCESS-125 (RED)



COLOR CODE	DESCRIPTION
YPA	SUZUKI ACCESS-125 (WHITE)



COLOR CODE	DESCRIPTION
YKV	SUZUKI ACCESS-125 (MAT. BLACK)

UZ125NEWM2



COLOR CODE	DESCRIPTION
YUA	SUZUKI ACCESS-125 (BLUE)



COLOR CODE	DESCRIPTION
YKV	SUZUKI ACCESS-125 (BLACK)



COLOR CODE	DESCRIPTION
YPA	SUZUKI ACCESS-125 (WHITE)



COLOR CODE	DESCRIPTION
QS4	SUZUKI ACCESS-125 (BRONZE)

UZ125NDWM2



COLOR CODE	DESCRIPTION
YUA	SUZUKI ACCESS-125 (BLUE)



COLOR CODE	DESCRIPTION
YKV	SUZUKI ACCESS-125 (BLACK)



COLOR CODE	DESCRIPTION
YPA	SUZUKI ACCESS-125 (WHITE)



COLOR CODE	DESCRIPTION
QS4	SUZUKI ACCESS-125 (BRONZE)

INFORMATION
ILLUSTRATION INDEX

1

ENGINE
TRANSMISSION

2

ELECTRICAL

3

BODY

4

PARTS NUMBER INDEX

5

ACCESSORIES

6

FIG. NO.	TITLE	ADDRESS NO.
102A	CYLINDER HEAD COVER	1-B-2
103A	CYLINDER HEAD	1-B-3
107A	CYLINDER	1-B-4
108A	CRANKCASE	1-B-5
112A	CRANKCASE COVER	1-B-6
120A	CRANKSHAFT	1-B-7
126A	CAMSHAFT/VALVE	1-B-8
127A	CAM CHAIN	1-B-9
140A	THROTTLE BODY	1-B-10
155A	AIR CLEANER	1-B-11
163A	MUFFLER	1-B-12
170A	OIL PUMP	1-B-13
172A	FUEL PUMP	1-B-14
181A	COOLING FAN	1-B-15
210A	TRANSMISSION (1)	1-B-16
211A	TRANSMISSION (2)	1-C-2
240A	KICK STARTER	1-C-3
301A	STARTING MOTOR	1-C-4
303A	MAGNETO	1-C-5
310A	BATTERY	1-C-6
312A	ELECTRICAL	1-C-7
330A	SPEEDOMETER (UZ125ND,UZ125NDY,UZ125NE,UZ125NEY,UZ125NH)	1-C-8
330B	SPEEDOMETER (UZ125NDW,UZ125NEW)	1-C-9
333A	HEADLAMP	1-C-10
335A	FRONT TURNSIGNAL LAMP (UZ125NDW,UZ125NEW)	1-C-11
335B	FRONT TURNSIGNAL LAMP (SEE NOTE 1)	1-C-12
335B	UZ125ND,UZ125NDY,UZ125NE,UZ125NEY,UZ125NH	1-C-12
339A	REAR COMBINATION LAMP	1-C-13
350A	WIRING HARNESS (UZ125NDW,UZ125NDY,UZ125NEW,UZ125NEY)	1-C-14
350B	WIRING HARNESS (UZ125ND,UZ125NE,UZ125NH)	1-C-15
352A	LOCK SET	1-C-16
401A	FRAME	1-D-2
405A	BATTERY HOLDER (UZ125NE,UZ125NEW,UZ125NEY)	1-D-3
405B	BATTERY HOLDER (UZ125ND,UZ125NDW,UZ125NDY,UZ125NH)	1-D-4
407A	STAND	1-D-5
415A	FOOTREST	1-D-6
420A	FUEL TANK	1-D-7
427A	EVAP SYSTEM	1-D-8

FIG. NO.	TITLE	ADDRESS NO.
435A	FRONT LEG SHIELD (UZ125NDW,UZ125NEW)	1-D-9
435B	FRONT LEG SHIELD (UZ125ND,UZ125NH)	1-D-10
435C	FRONT LEG SHIELD (UZ125NDY,UZ125NEY)	1-D-11
435D	FRONT LEG SHIELD (UZ125NE)	1-D-12
438A	SIDE LEG SHIELD (UZ125NDW,UZ125NEW)	1-D-13
438B	SIDE LEG SHIELD (UZ125ND,UZ125NH)	1-D-14
438C	SIDE LEG SHIELD (UZ125NDY,UZ125NEY)	1-D-15
438D	SIDE LEG SHIELD (UZ125NE)	1-D-16
440A	REAR LEG SHIELD (UZ125NDW)	1-E-2
440B	REAR LEG SHIELD (UZ125ND,UZ125NH)	1-E-3
440C	REAR LEG SHIELD (UZ125NEW)	1-E-4
440D	REAR LEG SHIELD (UZ125NE)	1-E-5
440E	REAR LEG SHIELD (UZ125NDY)	1-E-6
440F	REAR LEG SHIELD (UZ125NEY)	1-E-7
445A	FRAME COVER (UZ125NDW,UZ125NEW)	1-E-8
445B	FRAME COVER (UZ125ND,UZ125NH)	1-E-9
445B	FRAME COVER (UZ125ND,UZ125NH)	1-E-10
445C	FRAME COVER (UZ125NDY,UZ125NEY)	1-E-11
445D	FRAME COVER (UZ125NE)	1-E-12
445D	FRAME COVER (UZ125NE)	1-E-13
456A	HELMET BOX	1-E-14
460A	FRONT FENDER (UZ125NE)	1-E-15
460B	FRONT FENDER (UZ125ND,UZ125NH)	1-E-16
460C	FRONT FENDER (UZ125NDY,UZ125NEY)	1-F-2
460D	FRONT FENDER (UZ125NDW,UZ125NEW)	1-F-3
462A	HANDLEBAR (UZ125NE)	1-F-4
462B	HANDLEBAR (UZ125NEW,UZ125NEY)	1-F-5
462C	HANDLEBAR (UZ125ND,UZ125NH)	1-F-6
462D	HANDLEBAR (UZ125NDW,UZ125NDY)	1-F-7
463A	HANDLE COVER (UZ125NE)	1-F-8
463B	HANDLE COVER (UZ125NDY,UZ125NEY)	1-F-9
463C	HANDLE COVER (UZ125NDW,UZ125NEW)	1-F-10
463D	HANDLE COVER (UZ125ND,UZ125NH)	1-F-11
467A	HANDLE LEVER (UZ125NE,UZ125NEW,UZ125NEY)	1-F-12
467B	HANDLE LEVER (UZ125ND,UZ125NDW,UZ125NDY,UZ125NH)	1-F-13
474A	REAR FENDER	1-F-14
496A	LABEL (UZ125NE,UZ125NEY)	1-F-15
496B	LABEL (UZ125ND,UZ125NDY,UZ125NH)	1-F-16
496C	LABEL (UZ125NEW)	1-G-2
496D	LABEL (UZ125NDW)	1-G-3

FIG. NO.	TITLE	ADDRESS NO.
505A	SEAT (UZ125ND,UZ125NE,UZ125NH)	1-G-4
505B	SEAT (UZ125NDY,UZ125NEY)	1-G-5
505C	SEAT (UZ125NDW,UZ125NEW)	1-G-6
521A	FRONT FORK DAMPER (UZ125ND,UZ125NH)	1-G-7
521B	FRONT FORK DAMPER (UZ125NE)	1-G-8
521C	FRONT FORK DAMPER (UZ125NDW)	1-G-9
521D	FRONT FORK DAMPER (UZ125NDY)	1-G-10
521D	FRONT FORK DAMPER (UZ125NDY)	1-G-11
521E	FRONT FORK DAMPER (UZ125NEW)	1-G-12
521F	FRONT FORK DAMPER (UZ125NEY)	1-G-13
524A	STEERING STEM (UZ125ND,UZ125NDW,UZ125NDY,UZ125NH)	1-G-14
524B	STEERING STEM (UZ125NE,UZ125NEW,UZ125NEY)	1-G-15
530A	FRONT WHEEL (UZ125NE)	1-G-16
530B	FRONT WHEEL (UZ125ND)	1-H-2
530C	FRONT WHEEL (UZ125NH)	1-H-3
530D	FRONT WHEEL (UZ125NEW)	1-H-4
530E	FRONT WHEEL (UZ125NEY)	1-H-5
530F	FRONT WHEEL (UZ125NDW)	1-H-6
530G	FRONT WHEEL (UZ125NDY)	1-H-7
531A	FRONT WHEEL BRAKE (UZ125ND,UZ125NDW,UZ125NDY,UZ125NH)	1-H-8
535A	FRONT CALIPER (UZ125NE,UZ125NEW,UZ125NEY)	1-H-9
537A	FRONT MASTER CYLINDER (UZ125NE,UZ125NEW,UZ125NEY)	1-H-10
545A	REAR SHOCK ABSORBER (UZ125ND,UZ125NDW,UZ125NDY,UZ125NH)	1-H-11
545B	REAR SHOCK ABSORBER (UZ125NE,UZ125NEW,UZ125NEY)	1-H-12
550A	REAR WHEEL (UZ125ND)	1-H-13
550B	REAR WHEEL (UZ125NE)	1-H-14
550C	REAR WHEEL (UZ125NH)	1-H-15
550D	REAR WHEEL (UZ125NDW)	1-H-16
550E	REAR WHEEL (UZ125NDY)	1-I-2
550F	REAR WHEEL (UZ125NEW)	1-I-3
550G	REAR WHEEL (UZ125NEY)	1-I-4
970A	OPTIONAL (SARI GUARD)	1-I-5
970B	OPTIONAL (FRONT LICENSE PLATE SET)	1-I-6
970C	OPTIONAL (METER VISOR SET)	1-I-7
970D	OPTIONAL (SOCKET SET, USB)	1-I-8

PREFACE

When it becomes necessary to replace parts on SUZUKI MOTORCYCLES, always use SUZUKI GENUINE PARTS which have passed a strict inspection which guarantees quality and performance.

This parts catalogue covers the list of all service parts for SUZUKI UZ125NEM2, UZ125NDM2, UZ125NHM2, UZ125NEYM2, UZ125NDYM2, UZ125NEWM2, UZ125NDWM2.

INSTRUCTIONS FOR QUOTING THE CATALOGUE

1. DIMENSIONS

Dimensions of the parts in this catalogue are indicated in unit millimeters.

2. ABBREVIATIONS

Abbreviations used in this catalogue are as follows:

AR	: As required	NT	: Number of teeth
ASSY	: Assembly	OPT	: Optional
E.NO.	: Engine number	OS	: Over size
F.NO.	: Frame number	STD	: Standard
D	: Diameter of material	T	: Thickness
ID	: Inside diameter	US	: Under size
OD	: Outside diameter	W	: Width
L	: Length		
LH	: Left hand side		
RH	: Right hand side		
~ 100045	: Up to F.NO.A100-100045		
100046	: From F.NO.A100-100046		

12 x 34 x 5.6..... Figures in the description column
 | | | show the dimensions of parts.
 ID OD T(or W,L)

→ 12345-56781 (Parts No.) : indicates that the parts number was changed to 12345-56781 and the new parts are interchangeable with the former ones but the former ones are not interchangeable with new ones.

← 12345-56781 (Parts No.) : indicates that the former and new parts are interchangeable with each other and both are usable.

3) INNER PARTS OF ASSEMBLY

Part name with a dot (.) in front as shown in the description column indicates the component of the assembly also available individually.

4) MODIFICATION NOTICE

A parts bulletin will be sent to you on all occasions when changes in parts occur, including interchangeable modifications between new parts and old ones.

5. NOTE

5-1. There are some different parts from those of production models among spare parts for the administrative reasons and common use of them with other models.

5-2. In respect of rubber hoses and vinyl tubes, please be sure to use them by cutting off according to the length mentioned on parts catalogue or what is actually required on the vehicle.

5-3. Note that the drawings on the illustration page are for ready reference of spare parts number, not to be used as an assembly manual.
 When assembling, use "SUZUKI SERVICE MANUAL".

6. SPECIFICATION CODE

This catalogue contains the parts for the model designed for the following spec.;
 spec. code : P74.

7. SERIAL FRAME NUMBER

UZ125NEM2 : MB8DP12DAM8523650~
 UZ125NDM2 : MB8DP12DAM8523680~
 UZ125NHM2 : MB8DP12DAM8523620~
 UZ125NEYM2 : MB8DP12DAM8523720~
 UZ125NDYM2 : MB8DP12DAM8523685~
 UZ125NEWM2 : MB8DP12DAM8523750~
 UZ125NDWM2 : MB8DP12DAM8523690~

*Note

1) 9th Digit of frame number signifies month of production

MONTH	CODE
January	A
February	B
March	C
April	D
May	E
June	F
July	G
August	H
September	J
October	K
November	L
December	M

2) 10th digit of frame no signifies year of production

YEAR	CODE
2010	A
2011	B
2012	C
2013	D
2014	E
2015	F
2016	G
2017	H
2018	J
2019	K
2020	L
2021	M

1

**COLOUR CHART
TABLEAU COULEURS**

COLOR NO. NO DE COULEUR	COLOUR DESCRIPTION DESCRIPTION DE COULEUR	COLOR NO. NO DE COULEUR	COLOUR DESCRIPTION DESCRIPTION DE COULEUR
019	SLD.BLACK		
13L	MET.BRIGHT SILVER		
291	SLD.BLACK 50% GLOSS		
AVT	P79,PUM		
B5F	QRL,PVS		
BBS	QGD,PVS		
BEZ	QJD,QJG		
P79	LTHR.SUNTAN BROWN		
PGZ	MET.MAT FIBROIN GRAY		
PUM	STITCHI WHITE		
PVS	STITCH GRAY		
QGD	LTHR.BLACK		
QJD	LTHR.DARK RED		
QJG	STITCH BLACK		
QMV	MET.MAT BORDEAUX RED		
QRL	LTHR.BROWN		
QS4	MET.ROYAL BRONZE		
QTZ	MET.DARK GREENISH BLUE		
SAB	MET.MAT PLATINUM SILVER NO.2		
U1G	06 MAROON		
YBA	PRL.SUZUKI DEEP BLUE NO.2		
YKV	MET.MAT BLACK NO.2		
YPA	PRL.MIRAGE WHITE		
YUA	MET.MAT STELLAR BLUE		
YVB	GL.SPARKLE BLACK		

MILLIMETER → INCH CONVERSION CHART

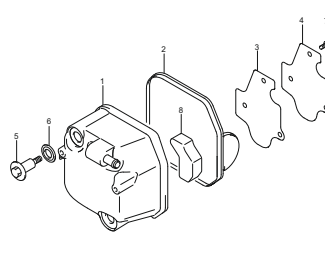
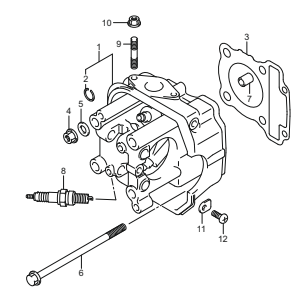
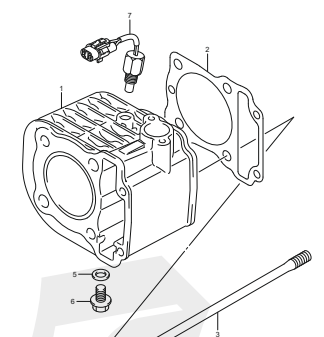
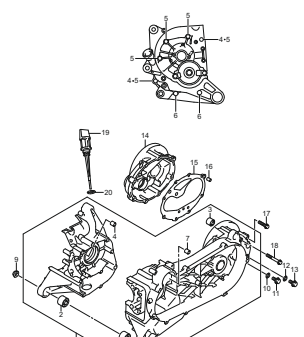
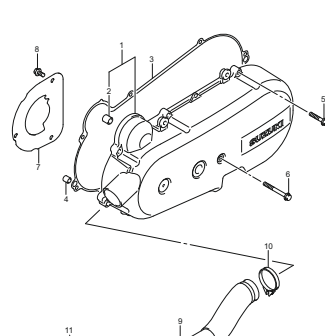
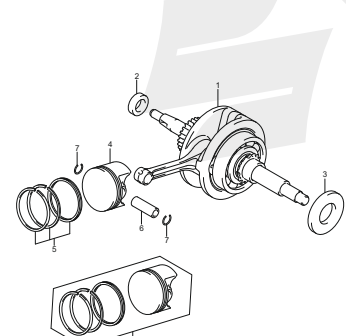
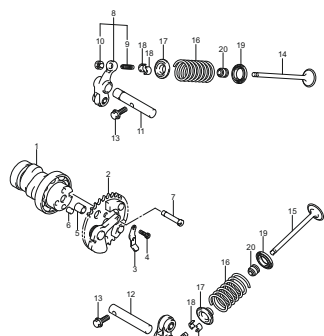
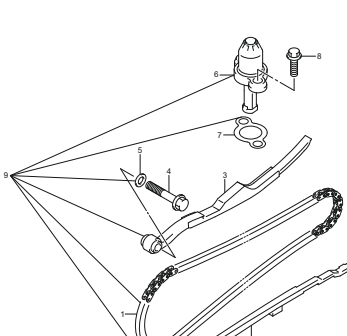
	0	1	2	3	4	5	6	7	8	9
00	.000	.039	.079	.118	.157	.197	.236	.276	.315	.354
10	.394	.433	.472	.512	.551	.591	.630	.669	.709	.748
20	.787	.827	.866	.906	.945	.984	1.024	1.063	1.102	1.142
30	1.181	1.220	1.260	1.299	1.339	1.378	1.417	1.457	1.496	1.535
40	1.575	1.614	1.654	1.693	1.732	1.772	1.811	1.850	1.890	1.929
50	1.969	2.008	2.047	2.087	2.126	2.165	2.205	2.214	2.283	2.323
60	2.362	2.402	2.441	2.480	2.520	2.559	2.598	2.638	2.677	2.717
70	2.756	2.795	2.835	2.874	2.913	2.953	2.992	3.031	3.071	3.110
80	3.150	3.189	3.228	3.268	3.307	3.346	3.386	3.426	3.465	3.504
90	3.543	3.583	3.622	3.622	3.701	3.740	3.780	3.819	3.858	3.896

How to read

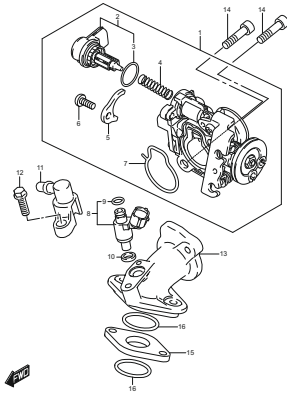
	0	1	2	3	4
00	---	---	---	---	---
10	---	---	---	---	---
20	---	---	---	0.906	---
30	---	---	---	---	---

23 millimeters equal 0.906 inch

Contents are subject to change without notice or obligation.

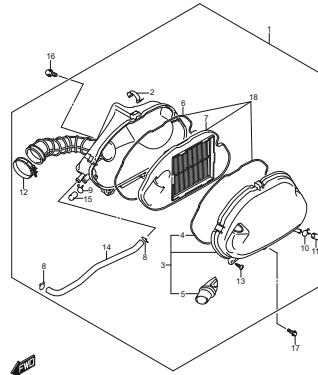
<p>102A CYLINDER HEAD COVER (B-2)</p>  <p>UZ125M2_P74_102A CYLINDER HEAD COVER</p>	<p>103A CYLINDER HEAD (B-3)</p>  <p>UZ125M2_P74_103A CYLINDER HEAD</p>	<p>107A CYLINDER (B-4)</p>  <p>UZ125M2_P74_107A CYLINDER</p>	<p>108A CRANKCASE (B-5)</p>  <p>UZ125M2_P74_108A CRANKCASE</p>
<p>112A CRANKCASE COVER (B-6)</p>  <p>UZ125M2_P74_112A CRANKCASE COVER</p>	<p>120A CRANKSHAFT (B-7)</p>  <p>UZ125M2_P74_120A CRANKSHAFT</p>	<p>126A CAMSHAFT/VALVE (B-8)</p>  <p>UZ125NHBM0_P74_126A CAMSHAFT/VALVE</p>	<p>127A CAM CHAIN (B-9)</p>  <p>UZ125M2_P74_127A CAM CHAIN</p>

140A THROTTLE BODY (B-10)



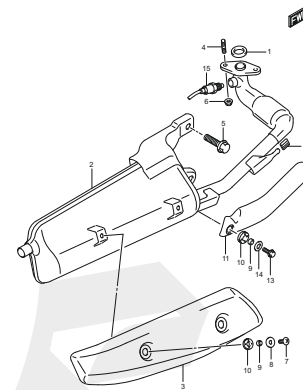
UZ125M2_P74_140A
THROTTLE BODY

155A AIR CLEANER (B-11)



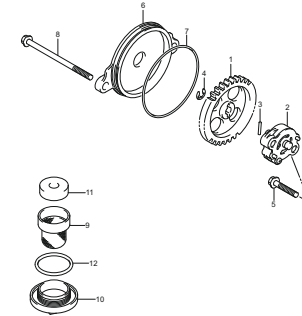
UZ125M2_P74_155A
AIR CLEANER

163A MUFFLER (B-12)



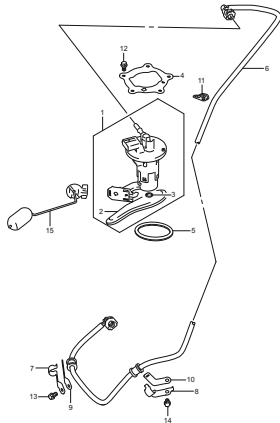
UZ125M2_P74_163A
MUFFLER

170A OIL PUMP (B-13)



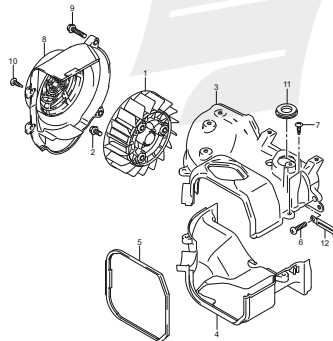
UZ125M2_P74_170A
OIL PUMP

172A FUEL PUMP (B-14)



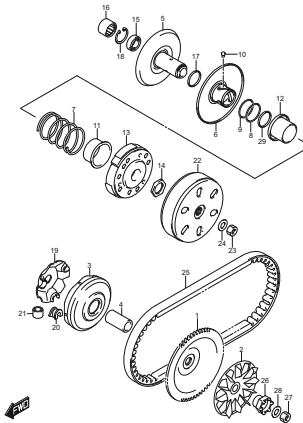
UZ125M2_P74_172A
FUEL PUMP

181A COOLING FAN (B-15)



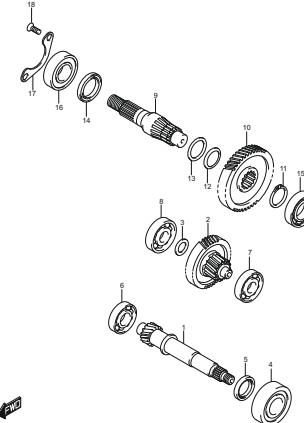
UZ125M2_P74_181A
COOLING FAN

210A TRANSMISSION (1) (B-16)

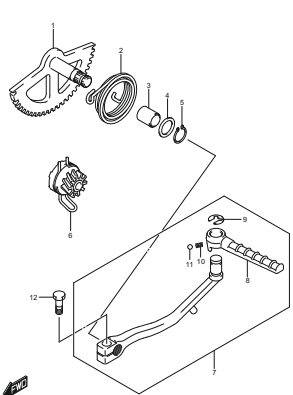
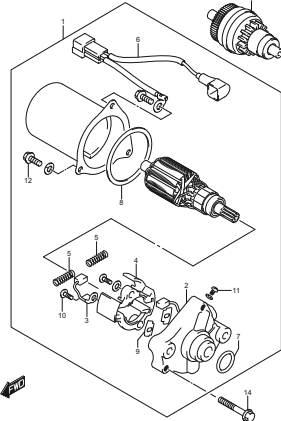
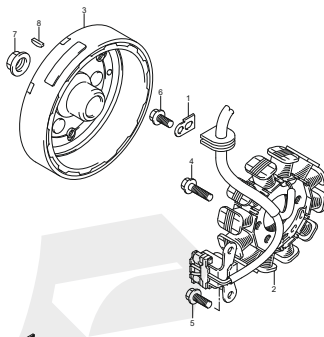
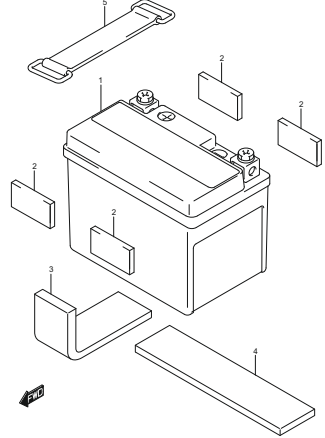
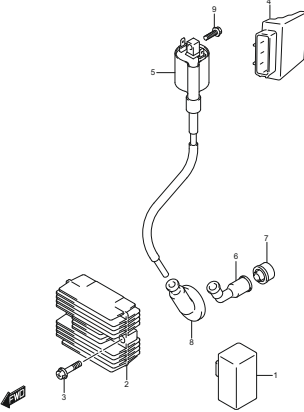
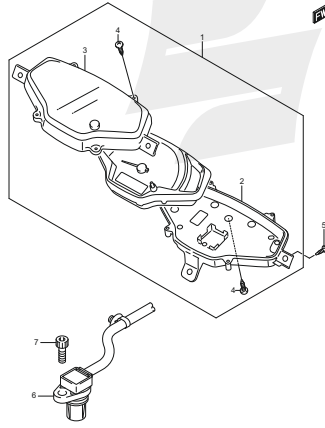
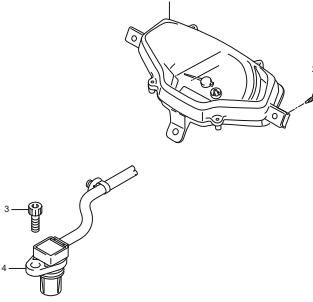
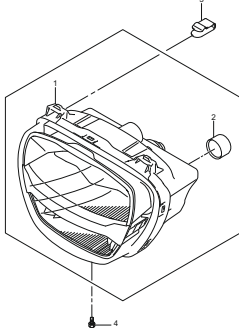


UZ125M2_P74_210A
TRANSMISSION (1)

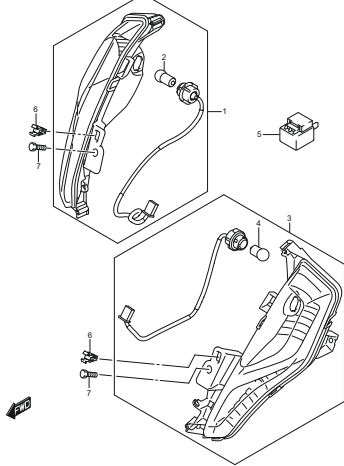
211A TRANSMISSION (2) (C-2)



UZ125M2_P74_211A
TRANSMISSION (2)

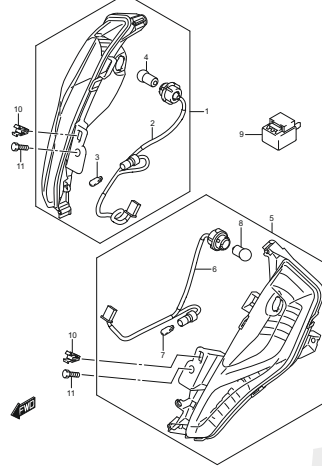
<p>240A KICK STARTER (C-3)</p>  <p>UZ125M2_P74_240A KICK STARTER</p>	<p>301A STARTING MOTOR (C-4)</p>  <p>UZ125M2_P74_301A STARTING MOTOR</p>	<p>303A MAGNETO (C-5)</p>  <p>UZ125M2_P74_303A MAGNETO</p>	<p>310A BATTERY (C-6)</p>  <p>UZ125M2_P74_310A BATTERY</p>
<p>312A ELECTRICAL (C-7)</p>  <p>UZ125M2_P74_312A ELECTRICAL</p>	<p>330A SPEEDOMETER (UZ125ND, UZ125NDY,UZ125NE,UZ125NEY, UZ125NH) (C-8)</p>  <p>UZ125M2_P74_330A SPEEDOMETER</p>	<p>330B SPEEDOMETER (UZ125NDW, UZ125NEW) (C-9)</p>  <p>UZ125M2_P74_330B SPEEDOMETER</p>	<p>333A HEADLAMP (C-10)</p>  <p>UZ125M2_P74_333A HEADLAMP</p>

335A FRONT TURN SIGNAL LAMP (UZ125NDW,UZ125NEW) (C-11)



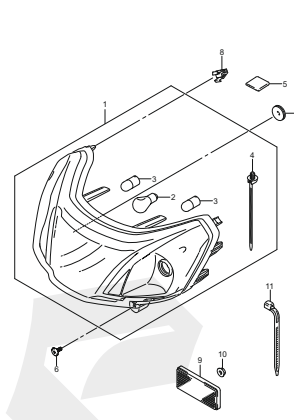
UZ125M2_P74_335A
FRONT TURN SIGNAL LAMP

335B FRONT TURN SIGNAL LAMP (SEE NOTE 1) (C-12)



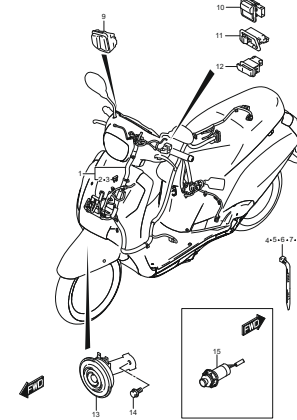
UZ125M2_P74_335B
FRONT TURN SIGNAL LAMP

339A REAR COMBINATION LAMP (C-13)



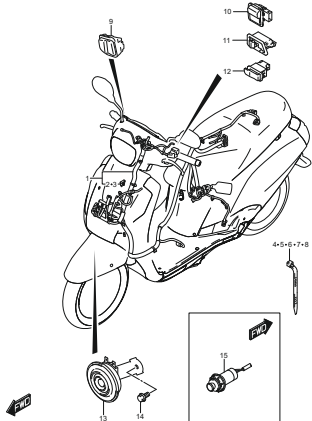
UZ125M2_P74_339A
REAR COMBINATION LAMP

350A WIRING HARNESS (UZ125NDW, UZ125NDY,UZ125NEW, UZ125NEY) (C-14)



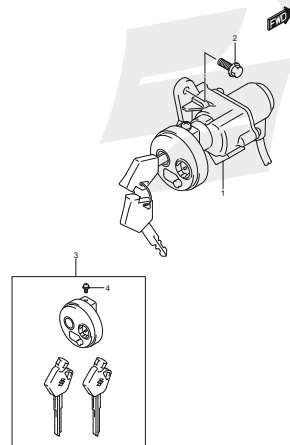
UZ125M2_P74_350A
WIRING HARNESS

350B WIRING HARNESS (UZ125ND, UZ125NE,UZ125NH) (C-15)



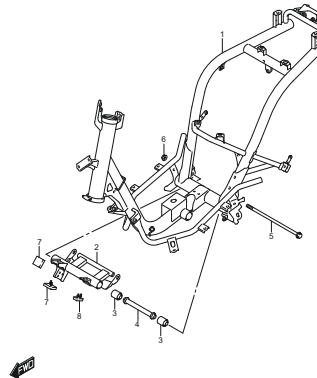
UZ125M2_P74_350B
WIRING HARNESS

352A LOCK SET (C-16)



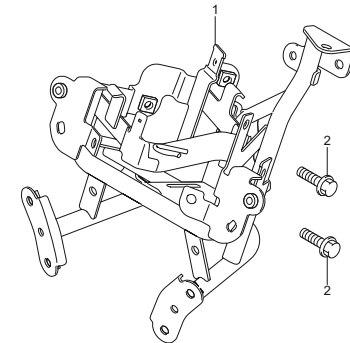
UZ125M2_P74_352A
LOCK SET

401A FRAME (D-2)



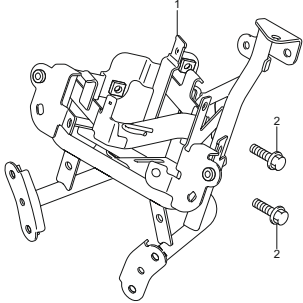
UZ125M2_P74_401A
FRAME

405A BATTERY HOLDER (UZ125NE, UZ125NEW,UZ125NEY) (D-3)



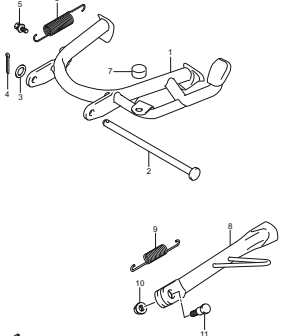
UZ125M2_P74_405A
BATTERY HOLDER

405B BATTERY HOLDER (UZ125ND, UZ125NDW, UZ125NDY, UZ125NH) (D-4)



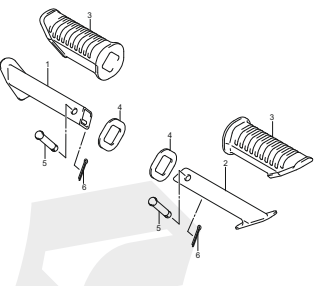
UZ125M2_P74_405B BATTERY HOLDER

407A STAND (D-5)



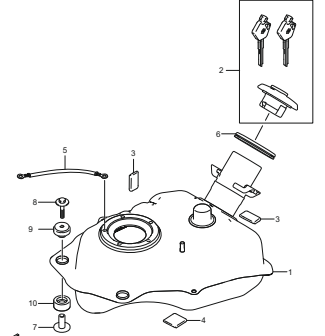
UZ125M2_P74_407A STAND

415A FOOTREST (D-6)



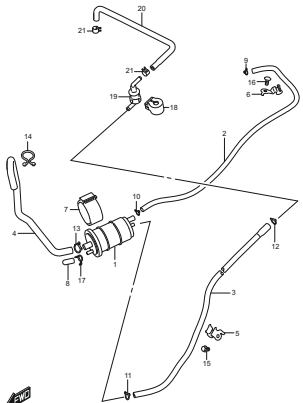
UZ125M2_P74_415A FOOTREST

420A FUEL TANK (D-7)



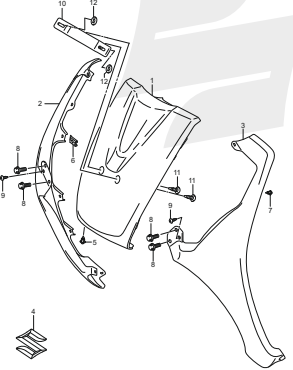
UZ125M2_P74_420A FUEL TANK

427A EVAP SYSTEM (D-8)



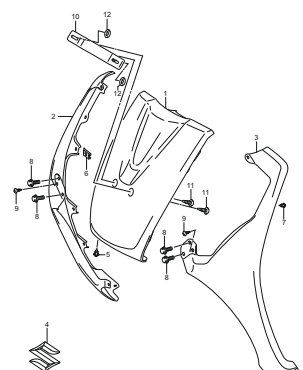
UZ125M2_P74_427A EVAP SYSTEM

435A FRONT LEG SHIELD (UZ125NDW, UZ125NEW) (D-9)



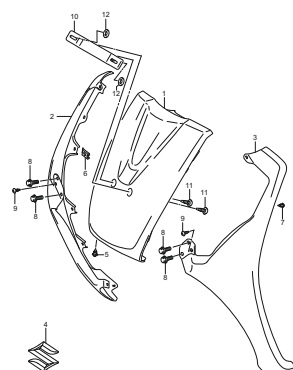
UZ125M2_P74_435A FRONT LEG SHIELD

435B FRONT LEG SHIELD (UZ125ND, UZ125NH) (D-10)



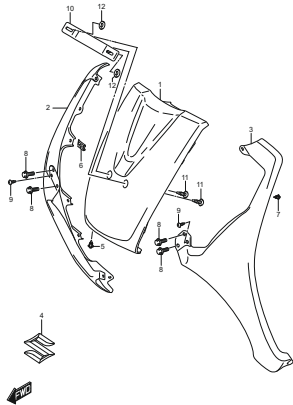
UZ125M2_P74_435B FRONT LEG SHIELD

435C FRONT LEG SHIELD (UZ125NDY, UZ125NEY) (D-11)



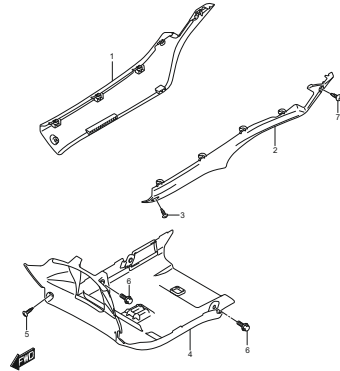
UZ125M2_P74_435C FRONT LEG SHIELD

435D FRONT LEG SHIELD (UZ125NE)
(D-12)



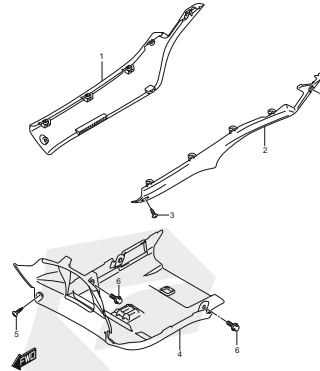
UZ125M2_P74_435D
FRONT LEG SHIELD

438A SIDE LEG SHIELD (UZ125NDW,
UZ125NEW) (D-13)



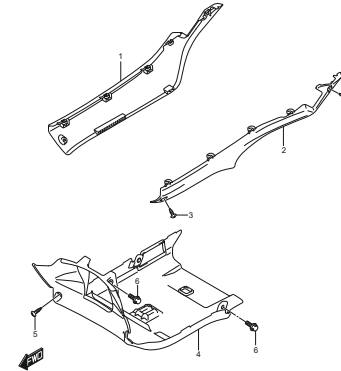
UZ125M2_P74_438A
SIDE LEG SHIELD

438B SIDE LEG SHIELD (UZ125ND,
UZ125NH) (D-14)



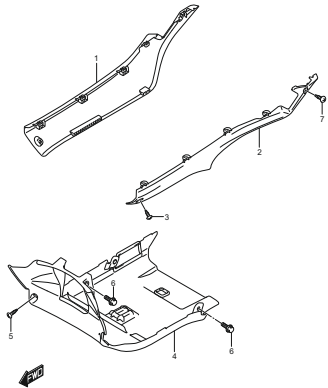
UZ125M2_P74_438B
SIDE LEG SHIELD

438C SIDE LEG SHIELD (UZ125NDY,
UZ125NEY) (D-15)



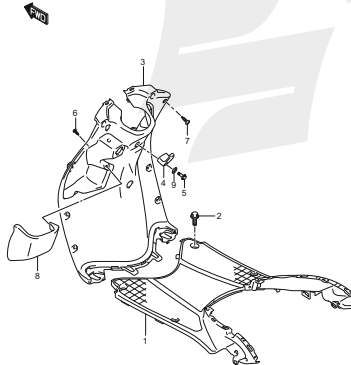
UZ125M2_P74_438C
SIDE LEG SHIELD

438D SIDE LEG SHIELD (UZ125NE)
(D-16)



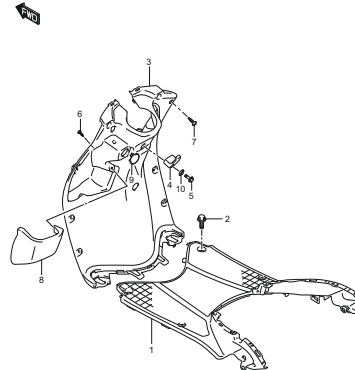
UZ125M2_P74_438D
SIDE LEG SHIELD

440A REAR LEG SHIELD (UZ125NDW)
(E-2)



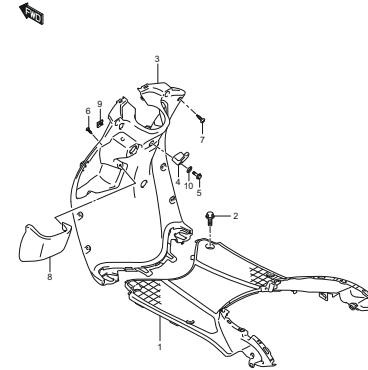
UZ125M2_P74_440A
REAR LEG SHIELD

440B REAR LEG SHIELD (UZ125ND,
UZ125NH) (E-3)

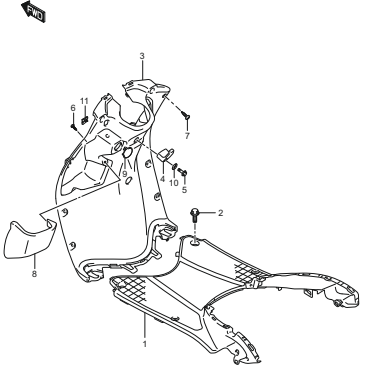
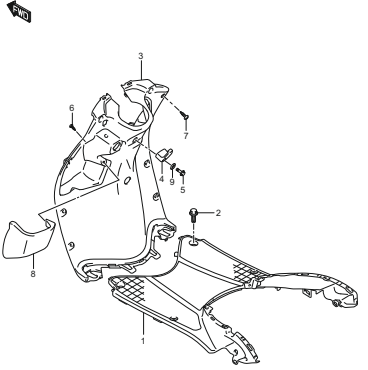
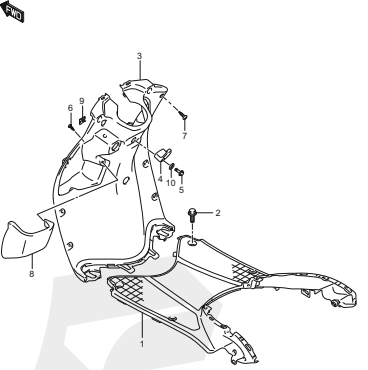
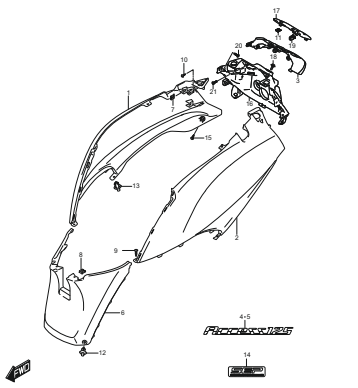
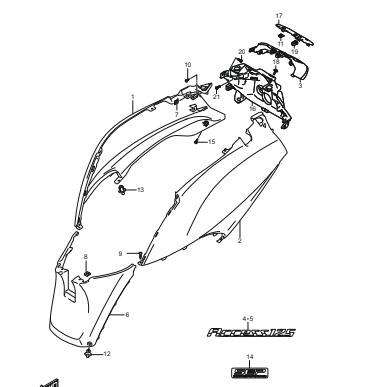
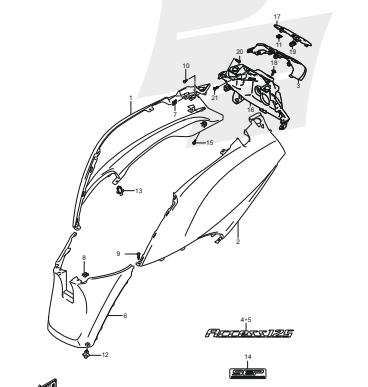
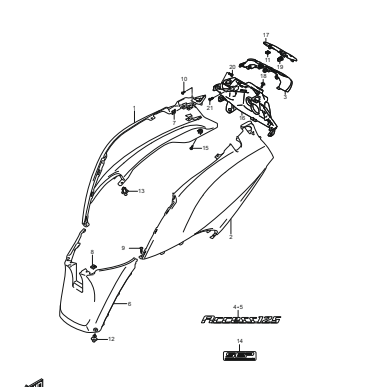
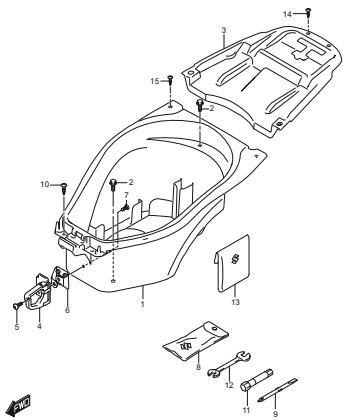


UZ125M2_P74_440B
REAR LEG SHIELD

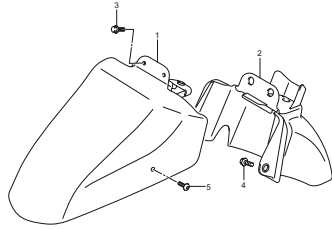
440C REAR LEG SHIELD (UZ125NEW)
(E-4)



UZ125M2_P74_440C
REAR LEG SHIELD

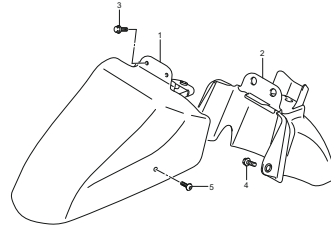
<p>440D REAR LEG SHIELD (UZ125NE) (E-5)</p>  <p>UZ125M2_P74_440D REAR LEG SHIELD</p>	<p>440E REAR LEG SHIELD (UZ125NDY) (E-6)</p>  <p>UZ125M2_P74_440E REAR LEG SHIELD</p>	<p>440F REAR LEG SHIELD (UZ125NEY) (E-7)</p>  <p>UZ125M2_P74_440F REAR LEG SHIELD</p>	<p>445A FRAME COVER (UZ125NDW, UZ125NEW) (E-8)</p>  <p>UZ125M2_P74_445A FRAME COVER</p>
<p>445B FRAME COVER (UZ125ND, UZ125NH) (E-9)</p>  <p>UZ125M2_P74_445B FRAME COVER</p>	<p>445C FRAME COVER (UZ125NDY, UZ125NEY) (E-11)</p>  <p>UZ125M2_P74_445C FRAME COVER</p>	<p>445D FRAME COVER (UZ125NE) (E-12)</p>  <p>UZ125M2_P74_445D FRAME COVER</p>	<p>456A HELMET BOX (E-14)</p>  <p>UZ125M2_P74_456A HELMET BOX</p>

460A FRONT FENDER (UZ125NE) (E-15)



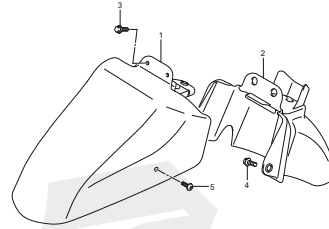
UZ125M2_P74_460A
FRONT FENDER

460B FRONT FENDER (UZ125ND,
UZ125NH) (E-16)



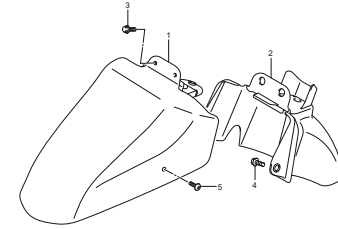
UZ125M2_P74_460B
FRONT FENDER

460C FRONT FENDER (UZ125NDY,
UZ125NEY) (F-2)



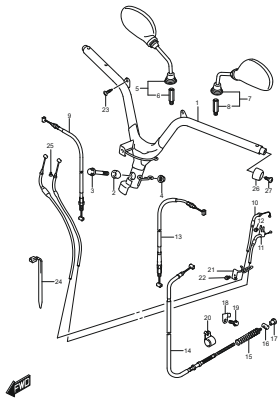
UZ125M2_P74_460C
FRONT FENDER

460D FRONT FENDER (UZ125NDW,
UZ125NEW) (F-3)



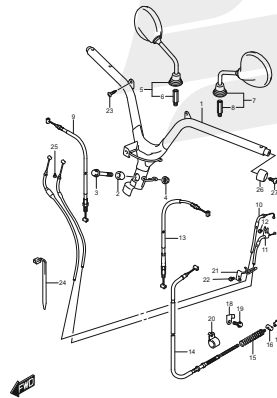
UZ125M2_P74_460D
FRONT FENDER

462A HANDLEBAR (UZ125NE) (F-4)



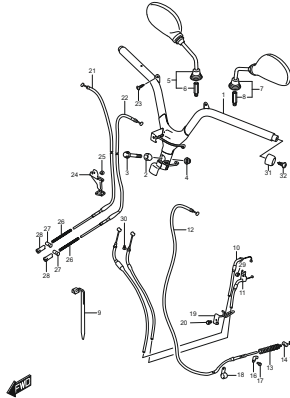
UZ125M2_P74_462A
HANDLEBAR

462B HANDLEBAR (UZ125NEW,
UZ125NEY) (F-5)



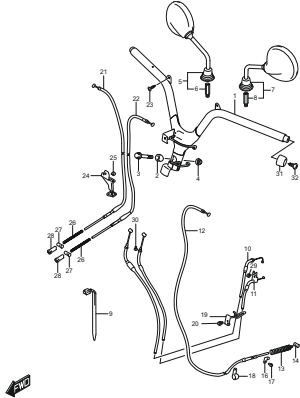
UZ125M2_P74_462B
HANDLEBAR

462C HANDLEBAR (UZ125ND, UZ125NH)
(F-6)



UZ125M2_P74_462C
HANDLEBAR

462D HANDLEBAR (UZ125NDW,
UZ125NDY) (F-7)



UZ125M2_P74_462D
HANDLEBAR

463A HANDLE COVER (UZ125NE) (F-8)

**UZ125M2_P74_463A
HANDLE COVER**

**463B HANDLE COVER (UZ125NDY,
UZ125NEY) (F-9)**

**UZ125M2_P74_463B
HANDLE COVER**

**463C HANDLE COVER (UZ125NDW,
UZ125NEW) (F-10)**

**UZ125M2_P74_463C
HANDLE COVER**

**463D HANDLE COVER (UZ125ND,
UZ125NH) (F-11)**

**UZ125M2_P74_463D
HANDLE COVER**

**467A HANDLE LEVER (UZ125NE,
UZ125NEW,UZ125NEY) (F-12)**

**UZ125M2_P74_467A
HANDLE LEVER**

**467B HANDLE LEVER (UZ125ND,
UZ125NDW,UZ125NDY,UZ125NH)
(F-13)**

**UZ125M2_P74_467B
HANDLE LEVER**

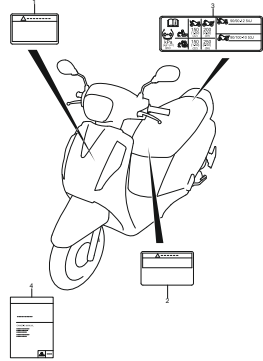
474A REAR FENDER (F-14)

**UZ125M2_P74_474A
REAR FENDER**

**496A LABEL (UZ125NE,UZ125NEY)
(F-15)**

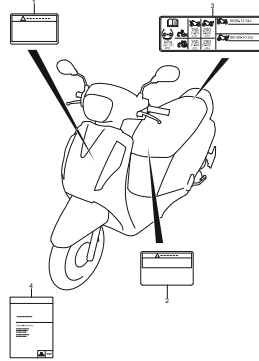
**UZ125M2_P74_496A
LABEL**

496B LABEL (UZ125ND,UZ125NDY,
UZ125NH) (F-16)



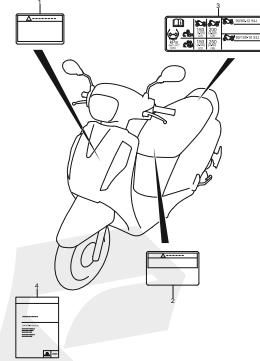
UZ125M2_P74_496B
LABEL

496C LABEL (UZ125NEW) (G-2)



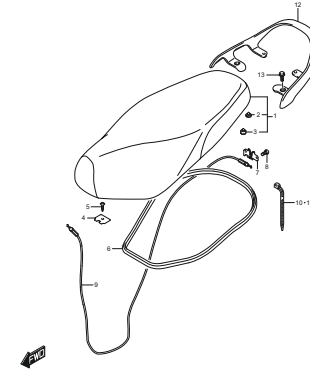
UZ125M2_P74_496C
LABEL

496D LABEL (UZ125NDW) (G-3)



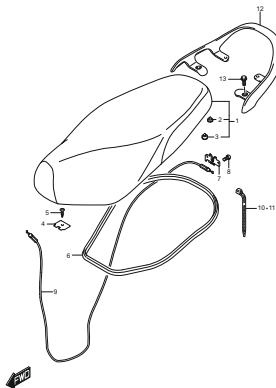
UZ125M2_P74_496D
LABEL

505A SEAT (UZ125ND,UZ125NE,
UZ125NH) (G-4)



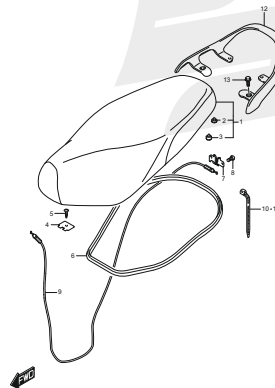
UZ125M2_P74_505A
SEAT

505B SEAT (UZ125NDY,UZ125NEY) (G-5)



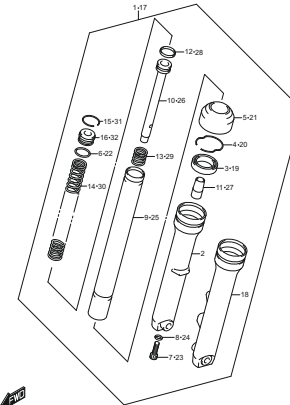
UZ125M2_P74_505B
SEAT

505C SEAT (UZ125NDW,UZ125NEW) (G-6)



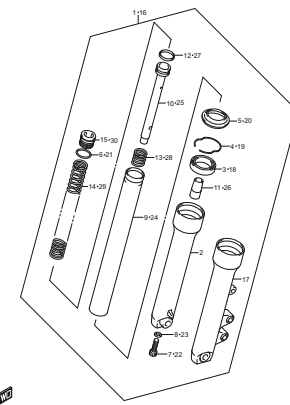
UZ125M2_P74_505C
SEAT

521A FRONT FORK DAMPER (UZ125ND,
UZ125NH) (G-7)

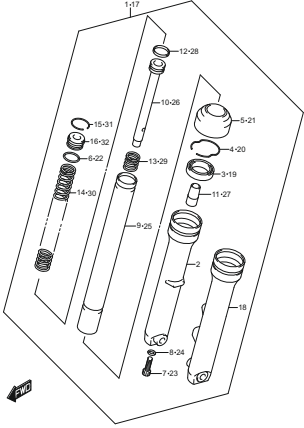
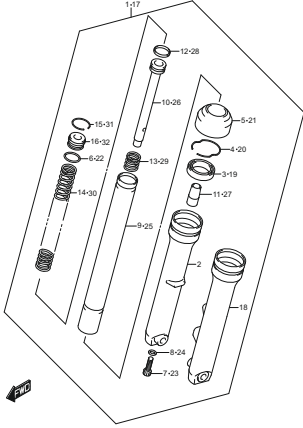
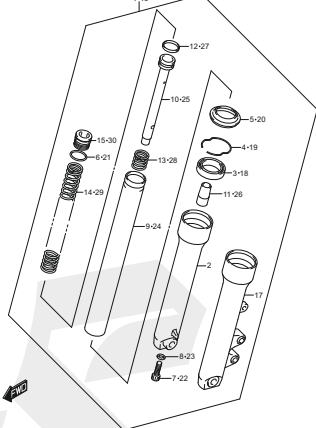
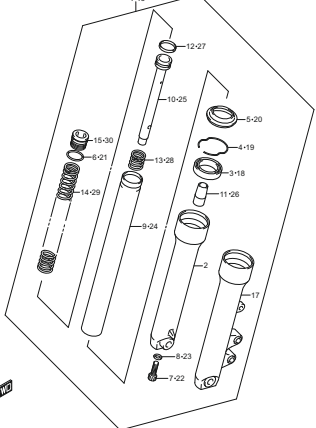
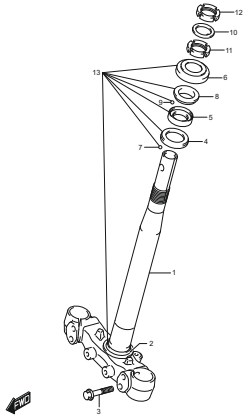
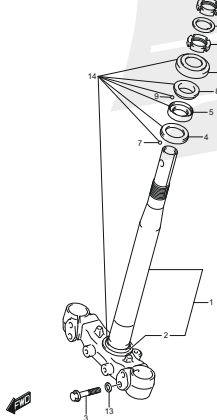
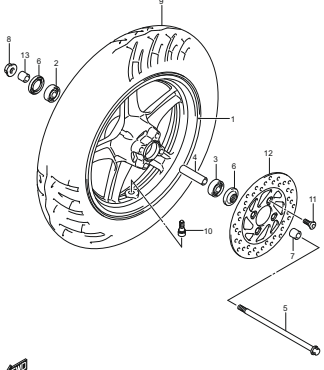
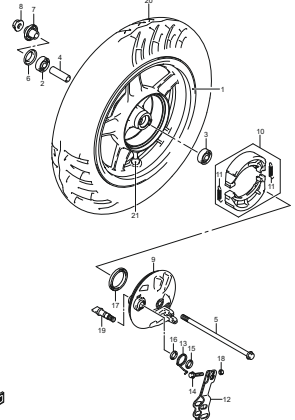


UZ125M2_P74_521A
FRONT FORK DAMPER

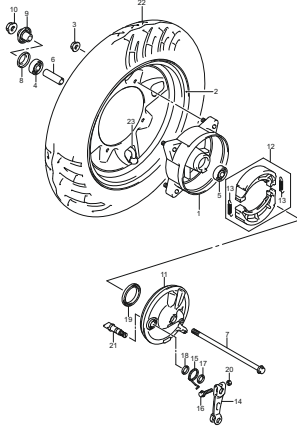
521B FRONT FORK DAMPER
(UZ125NE) (G-8)



UZ125M2_P74_521B
FRONT FORK DAMPER

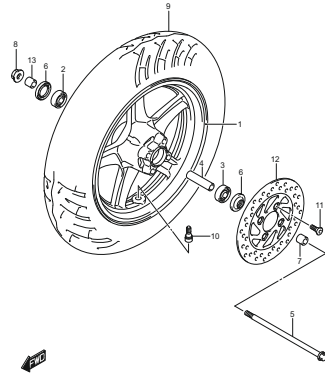
<p>521C FRONT FORK DAMPER (UZ125DW) (G-9)</p>  <p>UZ125M2_P74_521C FRONT FORK DAMPER</p>	<p>521D FRONT FORK DAMPER (UZ125NDY) (G-9)</p>  <p>UZ125M2_P74_521D FRONT FORK DAMPER</p>	<p>521E FRONT FORK DAMPER (UZ125NEW) (G-12)</p>  <p>UZ125M2_P74_521E FRONT FORK DAMPER</p>	<p>521F FRONT FORK DAMPER (UZ125NEY) (G-13)</p>  <p>UZ125M2_P74_521F FRONT FORK DAMPER</p>
<p>524A STEERING STEM (UZ125ND, UZ125NDW,UZ125NDY,UZ125NH) (G-14)</p>  <p>UZ125M2_P74_524A STEERING STEM</p>	<p>524B STEERING STEM (UZ125NE, UZ125NEW,UZ125NEY) (G-15)</p>  <p>UZ125M2_P74_524B STEERING STEM</p>	<p>530A FRONT WHEEL (UZ125NE) (G-16)</p>  <p>UZ125M2_P74_530A FRONT WHEEL</p>	<p>530B FRONT WHEEL (UZ125ND) (H-2)</p>  <p>UZ125M2_P74_530B FRONT WHEEL</p>

530C FRONT WHEEL (UZ125NH) (H-3)



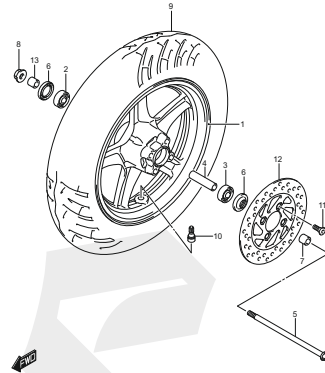
UZ125M2_P74_530C
FRONT WHEEL

530D FRONT WHEEL (UZ125NEW) (H-4)



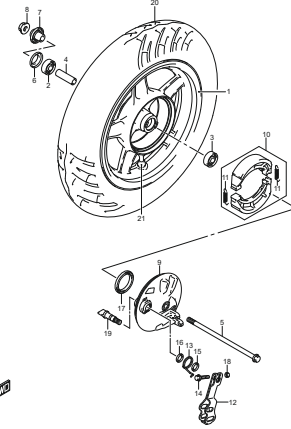
UZ125M2_P74_530D
FRONT WHEEL

530E FRONT WHEEL (UZ125NEY) (H-5)



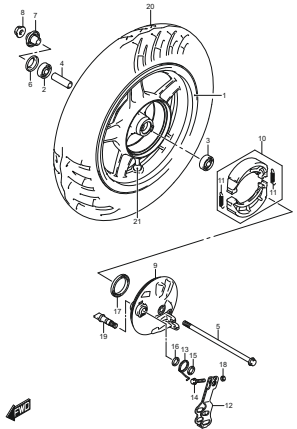
UZ125M2_P74_530E
FRONT WHEEL

530F FRONT WHEEL (UZ125NDW) (H-6)



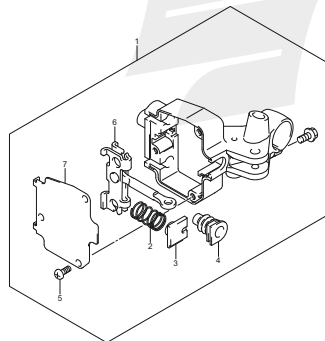
UZ125M2_P74_530F
FRONT WHEEL

530G FRONT WHEEL (UZ125NDY) (H-7)



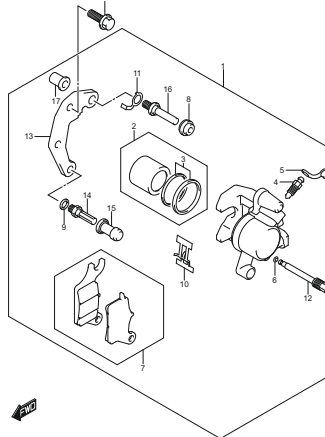
UZ125M2_P74_530G
FRONT WHEEL

531A FRONT WHEEL BRAKE (UZ125ND, UZ125NDW, UZ125NDY, UZ125NH) (H-8)



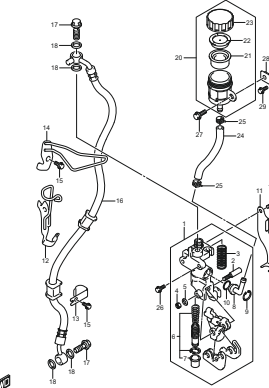
UZ125M2_P74_531A
FRONT WHEEL BRAKE

535A FRONT CALIPER (UZ125NE, UZ125NEW, UZ125NEY) (H-9)

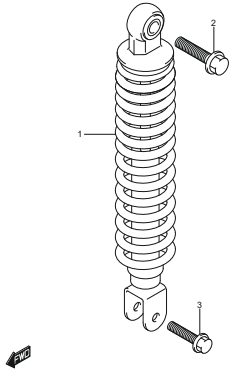
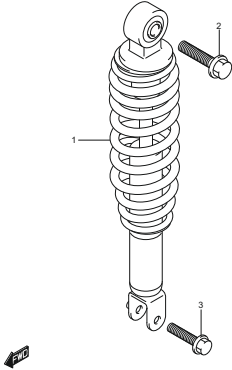
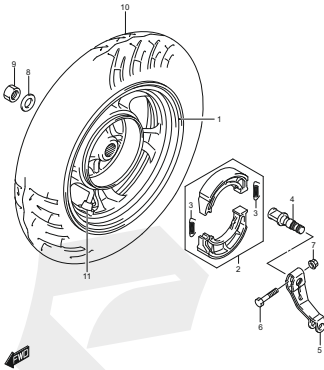
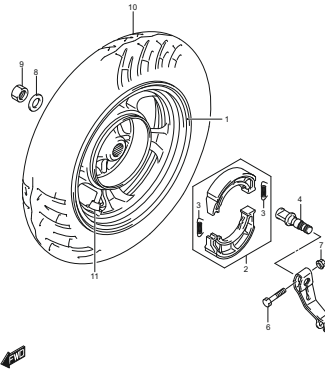
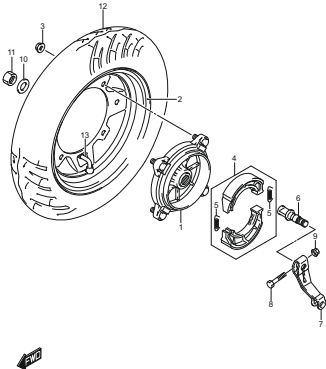
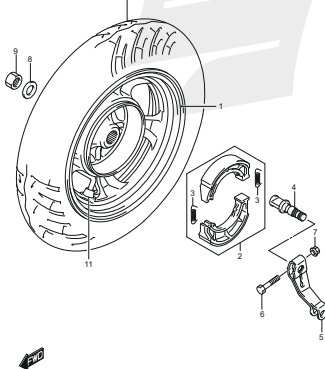
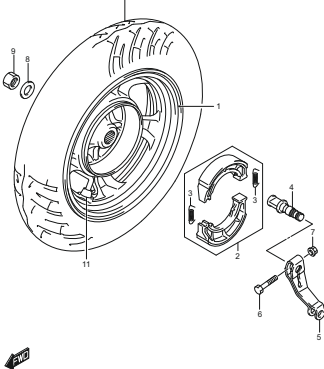
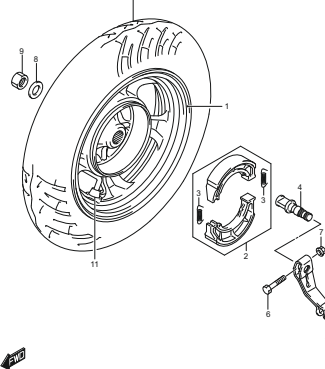


UZ125M2_P74_535A
FRONT CALIPER

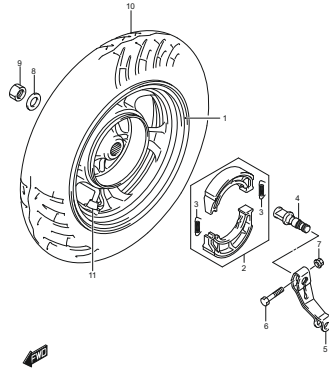
537A FRONT MASTER CYLINDER (UZ125NE, UZ125NEW, UZ125NEY) (H-10)



UZ125M2_P74_537A
FRONT MASTER CYLINDER

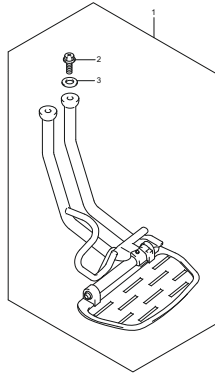
<p>545A REAR SHOCK ABSORBER (UZ125ND,UZ125NDW,UZ125NDY,UZ125NH) (H-11)</p>  <p>UZ125M2_P74_545A REAR SHOCK ABSORBER</p>	<p>545B REAR SHOCK ABSORBER (UZ125NE,UZ125NEW,UZ125NEY) (H-12)</p>  <p>UZ125M2_P74_545B REAR SHOCK ABSORBER</p>	<p>550A REAR WHEEL (UZ125ND) (H-13)</p>  <p>UZ125M2_P74_550A REAR WHEEL</p>	<p>550B REAR WHEEL (UZ125NE) (H-14)</p>  <p>UZ125M2_P74_550B REAR WHEEL</p>
<p>550C REAR WHEEL (UZ125NH) (H-15)</p>  <p>UZ125M2_P74_550C REAR WHEEL</p>	<p>550D REAR WHEEL (UZ125NDW) (H-16)</p>  <p>UZ125M2_P74_550D REAR WHEEL</p>	<p>550E REAR WHEEL (UZ125NDY) (I-2)</p>  <p>UZ125M2_P74_550E REAR WHEEL</p>	<p>550F REAR WHEEL (UZ125NEW) (I-3)</p>  <p>UZ125M2_P74_550F REAR WHEEL</p>

550G REAR WHEEL (UZ125NEY) (I-4)



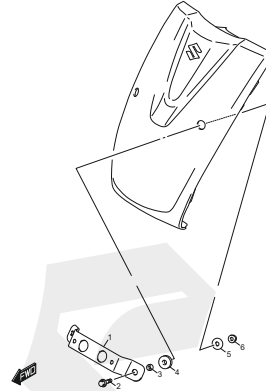
UZ125M2_P74_550G
REAR WHEEL

970A OPTIONAL (TUBE SET, RR FOOTREST SIDE) (I-5)



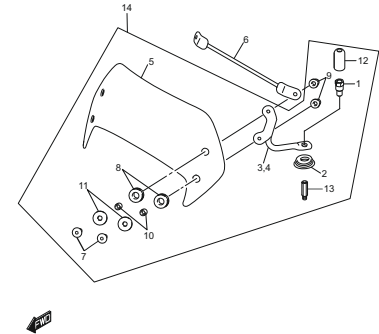
UZ125M2_P74_970A
OPTIONAL (TUBE SET, RR FOOTREST SIDE)

970B FRONT LICENSE PLATE (I-6)



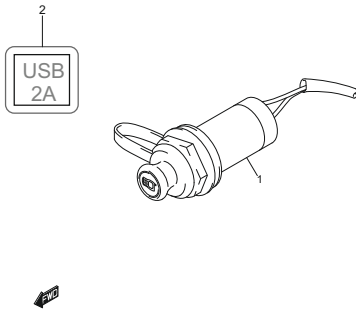
UZ125M2_P74_970B
FRONT LICENSE PLATE

970C OPTIONAL (METER VISOR) (I-7)



UZ125M2_P74_970C
OPTIONAL (METER VISOR)

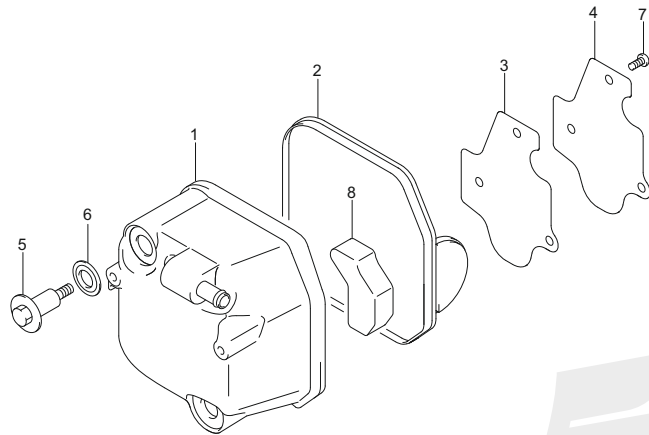
970D OPTIONAL (SOCKET SET, USB) (I-8)



UZ125M2_P74_550G
OPTIONAL (SOCKET SET, USB)

102A

102A (B-2) CYLINDER HEAD COVER



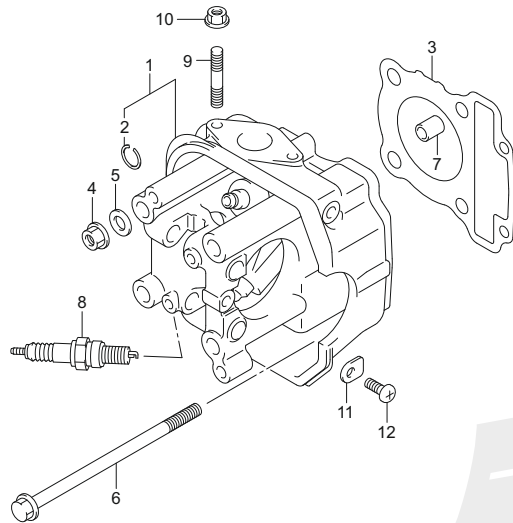
REF NO.	PART NO.	DESCRIPTION	QTY	REMARKS
1	11170-02L10-000	COVER,CYLINDER HEAD	1	
2	11173-02L00-000	GASKET,CYL HEAD COVER	1	
3	11176-02L00-000	PLATE,BREATHER	1	
4	11177-08K00-000	GASKET,BREATHER PLATE	1	
5	09119-06138-000	BOLT,CYL HEAD COVER	2	
6	11191-27E70-000	WASHER,HEAD COVER BOLT (10.6X25.5X1.6)	2	
7	02112-0510A-000	SCREW	3	
8	11186-02L00-000	SEPARATOR,OIL BREATHER	1	

2



103A

2



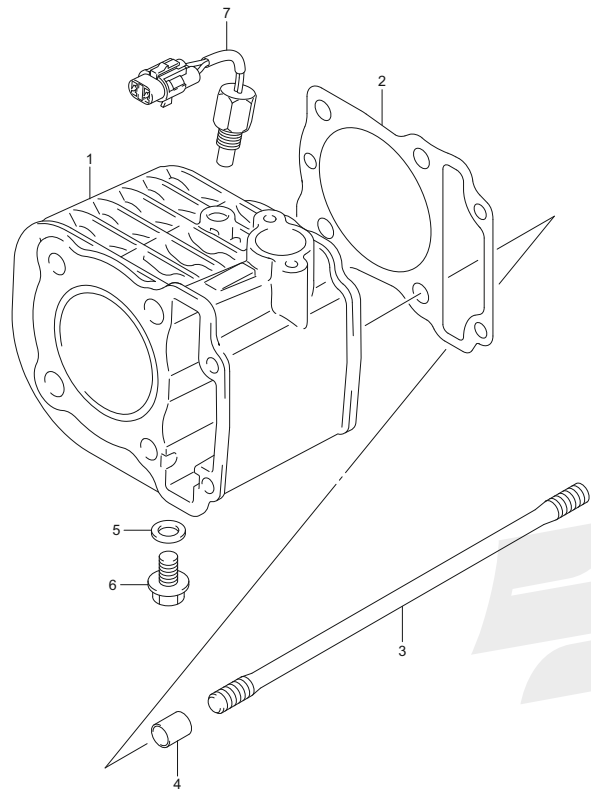
103A (B-3) CYLINDER HEAD

REF NO.	PART NO.	DESCRIPTION	QTY	REMARKS
1	11110-02L00-000	HEAD,CYLINDER	1	
2	09381-10004-000	.SNAP RING (10X85)	2	
3	11141-35J00-000	GASKET,CYLINDER HEAD	1	
4	08316-1008A-000	NUT	4	
5	09160-08164-000	WASHER (8.5X18X2.3)	4	
6	09103-06501-000	BOLT (6X100)	2	
7	09206-10016-000	PIN (8.2X10X13)	2	
8	09482-00645-000	SPARK PLUG (MR7E-9)	1	
9	01421-0625A-000	BOLT,STUD	2	
10	08316-1006A-000	NUT (6X12)	2	
11	24741-20A10-000	RETAINER,SHIFT CAM R BEARING	1	
12	02112-0612A-000	SCREW	1	



107A

107A (B-4) CYLINDER



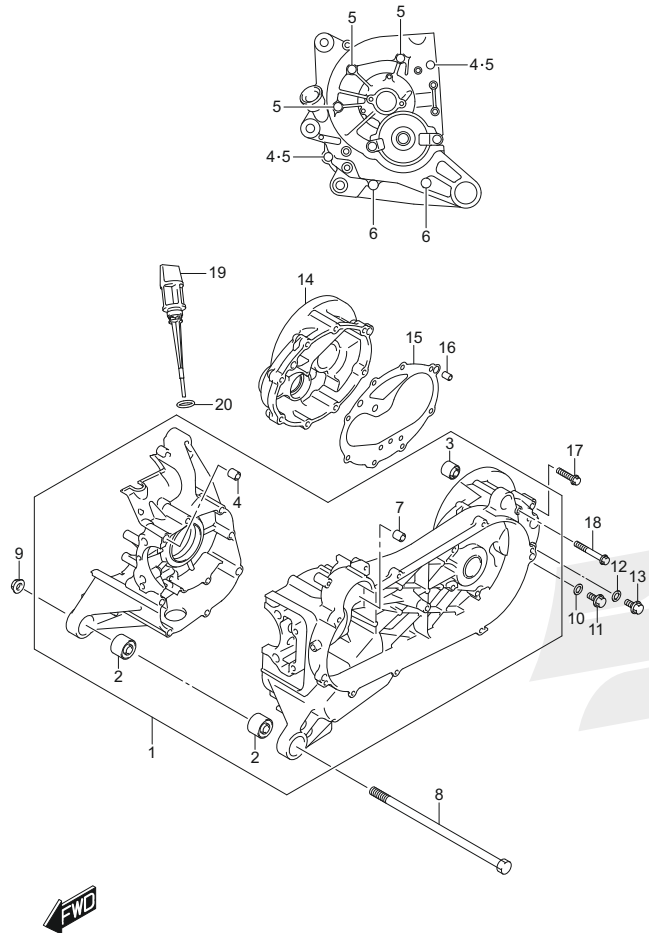
REF NO.	PART NO.	DESCRIPTION	QTY	REMARKS
1	11210-02L00-0F0	CYLINDER	1	
2	11241-08K00-000	GASKET,CYLINDER	1	
3	09108-08302-000	STUD BOLT (L:192)	4	
4	09206-10016-000	PIN (8.2X10X13)	2	
5	09168-08008-000	GASKET (8.2X14X1)	1	
6	01550-0812A-000	BOLT	1	
7	13640-02L00-000	SENSOR,ENGINE TEMP	1	

2



108A

2



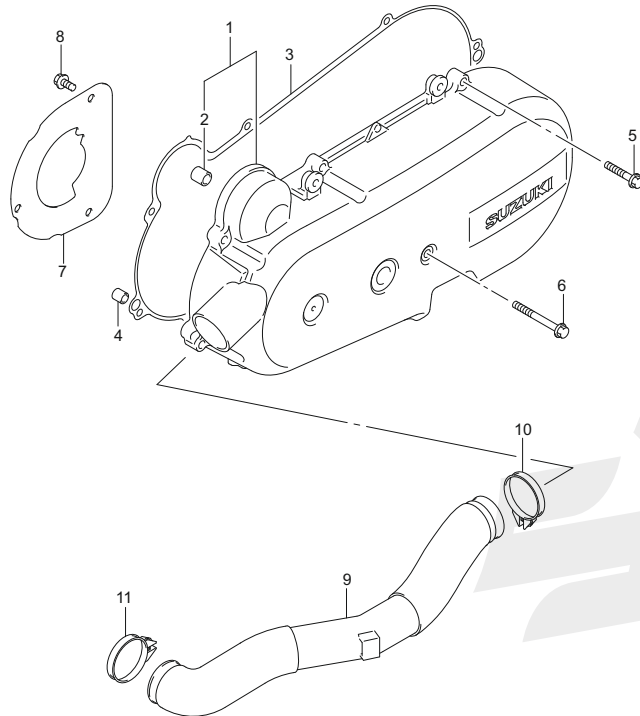
UZ125M2_P74_108A
CRANKCASE

108A (B-5) CRANKCASE

REF NO.	PART NO.	DESCRIPTION	QTY	REMARKS
1	11301-08840-000	CRANKCASE SET	1	
2	11315-39J00-000	.BUSH,ENGINE MTG	2	
3	11316-39J00-000	.BUSH,REAR SHOCK ABS	1	
4	09206-10014-000	.PIN (6.4X10X20)	2	
5	01547-0655A-000	.BOLT	5	
6	01547-0695A-000	.BOLT	2	
7	11325-09J00-000	.BUSH	1	
8	11611-39J00-000	BOLT,ENG MTG (L:240)	1	
9	08316-1010A-000	NUT	1	
10	09168-08008-000	GASKET (8.2X14X1)	1	
11	01550-0812A-000	BOLT	1	
12	09168-08008-000	GASKET (8.2X14X1)	1	
13	01550-0812A-000	BOLT	1	
14	11430-39840-000	COVER SET, GEAR BOX	1	
15	11484-39J30-000	GASKET,GEAR BOX COVER	1	
16	09206-08008-000	PIN (6.3X8X12)	2	
17	01547-0630A-000	BOLT	7	
18	01547-0655A-000	BOLT	1	
19	11971-09J00-000	GAUGE,OIL LEVEL	1	
20	09280-17003-000	O RING (D:3.1,ID:16.8)	1	

112A

112A (B-6) CRANKCASE COVER



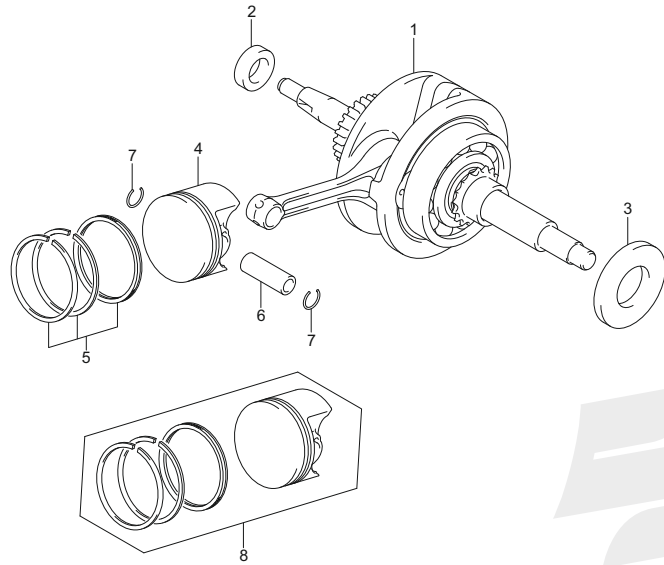
REF NO.	PART NO.	DESCRIPTION	QTY	REMARKS
1	11340-08K50-000	COVER,CLUTCH	1	
2	11325-09J00-000	.BUSH	1	
3	11482-08K00-000	GASKET,CLUTCH COVER	1	
4	09206-08008-000	PIN (6.3X8X12)	2	
5	01547-0625A-000	BOLT	8	
6	01547-0690A-000	BOLT	1	
7	11346-08K00-000	PLATE,CLUTCH COVER AIR INTAKE	1	
8	01547-0612A-000	BOLT	3	
9	11383-39J10-000	DUCT,BELT COOLING INLET	1	
10	09402-46209-000	CLAMP,BELT COOLING DUCT	1	
11	09402-42001-000	CLAMP	1	

2



120A

2



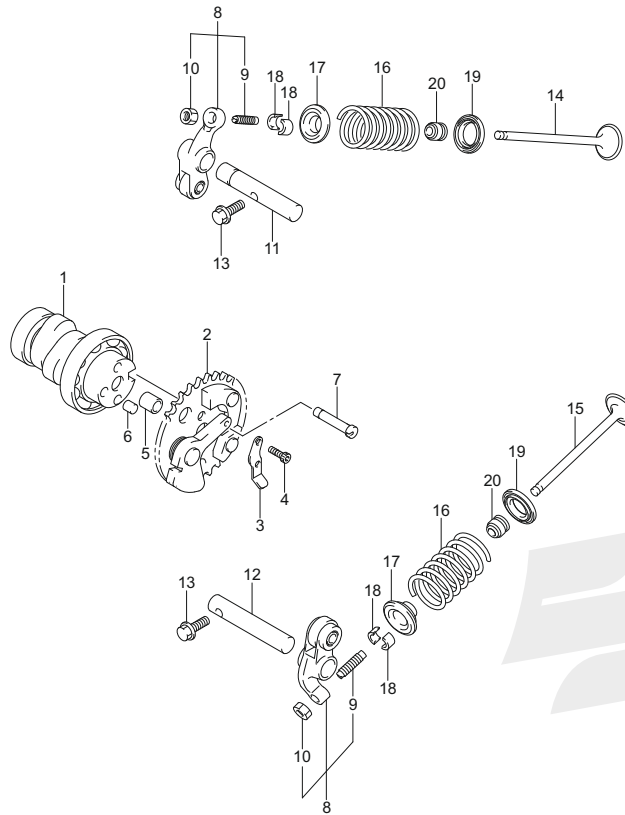
120A (B-7) CRANKSHAFT

REF NO.	PART NO.	DESCRIPTION	QTY	REMARKS
1	12200-08K51-000	CRANKSHAFT ASSY	1	
2	09283-16L03-000	SEAL,CRANKSHAFT OIL RH (20.5X32X5)	1	
3	12227-08K00-000	SEAL,CRANKSHAFT OIL LH	1	
4	12111-08K00-0F0	PISTON	1	
5	12140-08K50-000	RING SET,PISTON	1	
6	12151-43J00-000	PIN,PISTON	1	
7	09381-12001-000	SNAP RING	2	
8	12100-08K50-050	PISTON SET,OS 0.5 (OS:0.5)	1	



126A

126A (B-8) CAMSHAFT/VALVE



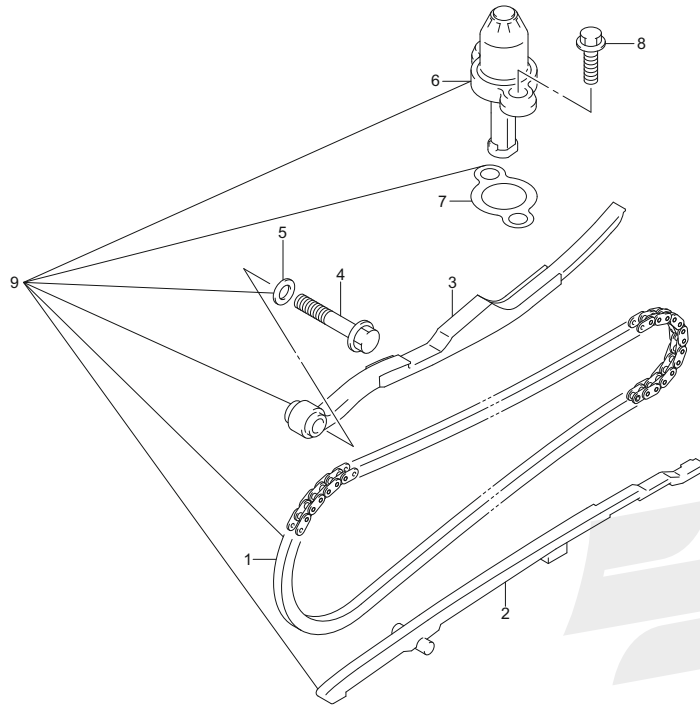
REF NO.	PART NO.	DESCRIPTION	QTY	REMARKS
1	12710-02L00-000	CAMSHAFT	1	
2	12740-08K00-000	SPROCKET,CAMSHAFT (NT:34)	1	
3	12714-34J10-000	WASHER,SPROCKET (NT:26)	1	
4	09106-05028-000	BOLT (5X15)	2	
5	09206-08008-000	PIN (6.3X8X12)	1	
6	09261-05005-000	PIN (5X8)	1	
7	12951-08K00-000	CAM,DECOMPRESSION	1	
8	12840-43J10-000	ARM ASSY,VALVE ROCKER	2	
9	12842-34J00-000	.SCREW,TAPPET ADJUSTING (NT:24)	2	
10	12843-27A70-000	.NUT,TAPPET ADJUSTING	2	
11	12861-35J00-000	SHAFT,VALVE ROCKER ARM INTAKE	1	INTAKE
12	12871-35J00-000	SHAFT,VALVE ROCKER ARM EXHAUST	1	EXHAUST
13	01550-0512A-000	BOLT	2	
14	12911-43J00-000	VALVE,INTAKE	1	
15	12912-02L00-000	VALVE,EXHAUST	1	
16	12921-43J00-000	SPRING,VALVE	2	
17	12931-09G20-000	RETAINER,VALVE SPRING	2	
18	12932-09G10-000	COTTER,VALVE (NT:23)	4	
19	12933-09G00-000	SEAT,VALVE SPRING	2	
20	09289-05019-000	OIL SEAL (4X10X8)	2	

2



127A

2

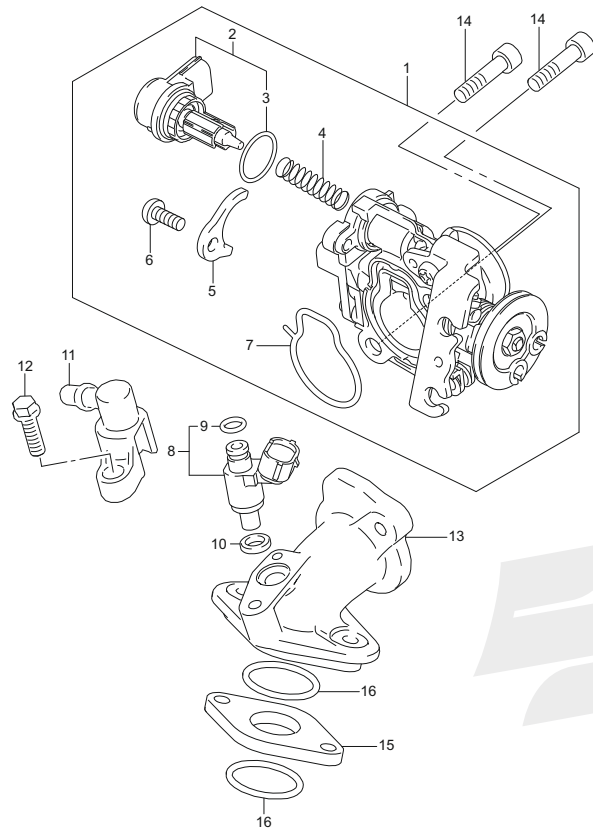


127A (B-9) CAM CHAIN

REF NO.	PART NO.	DESCRIPTION	QTY	REMARKS
1	12760-08K10-000	CHAIN,CAMSHAFT DRIVE	1	
2	12771-08K00-000	GUIDE,CAM CHAIN	1	
3	12811-08K10-000	TENSIONER,CAM CHAIN	1	
4	09103-06247-000	BOLT (6X32)	1	
5	09168-06004-000	GASKET (6.2X11X1.2)	1	
6	12830-42K00-000	ADJUSTER ASSY,TENSIONER	1	
7	12837-39J20-000	GASKET,TENSIONER ADJUSTER	1	
8	01547-0620A-000	BOLT	2	
9	12800-42810-000	ENGINE TIMING KIT	1	



140A



140A (B-10) THROTTLE BODY

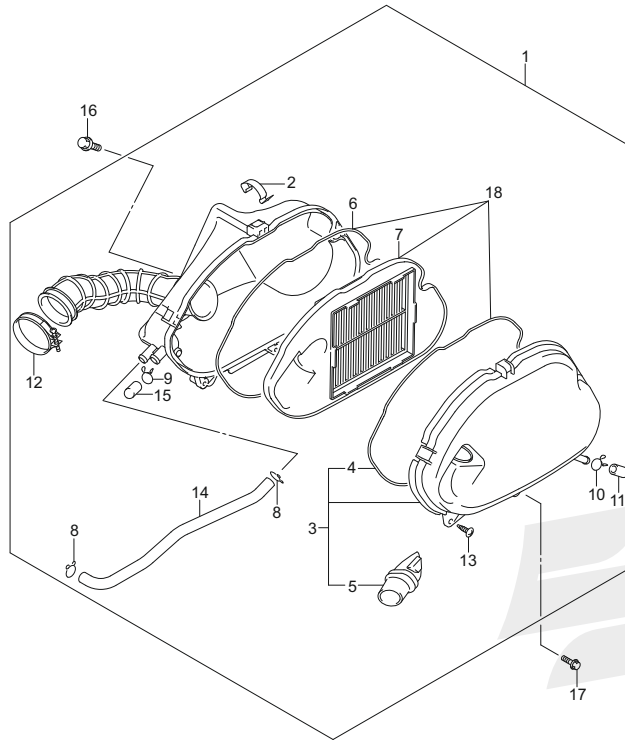
REF NO.	PART NO.	DESCRIPTION	QTY	REMARKS
1	13400-02L10-000	BODY ASSY,THROTTLE	1	
2	18117-10K00-000	.STEPPING MOTOR	1	
3	13438-09JA0-000	..O-RING	1	
4	13417-02L00-000	.SPRING	1	
5	13421-02L00-000	.PLATE	1	
6	13602-02L00-000	.SCREW	2	
7	13295-02L00-000	.O RING	2	
8	15710-02L00-000	INJECTOR ASSY,FUEL	1	
9	15716-42J00-000	.O RING	1	
10	15722-02L00-000	SEAL	1	
11	15830-02L00-000	JOINT,FUEL HOSE	1	
12	01547-0620A-000	BOLT	1	
13	13111-02L00-000	PIPE,INTAKE	1	
14	07130-0625A-000	BOLT	2	
15	13128-08K00-000	INSULATOR,INTAKE PIPE	1	
16	09280-26013-000	O-RING (D:2.4, ID:25.7)	2	

2



155A

2



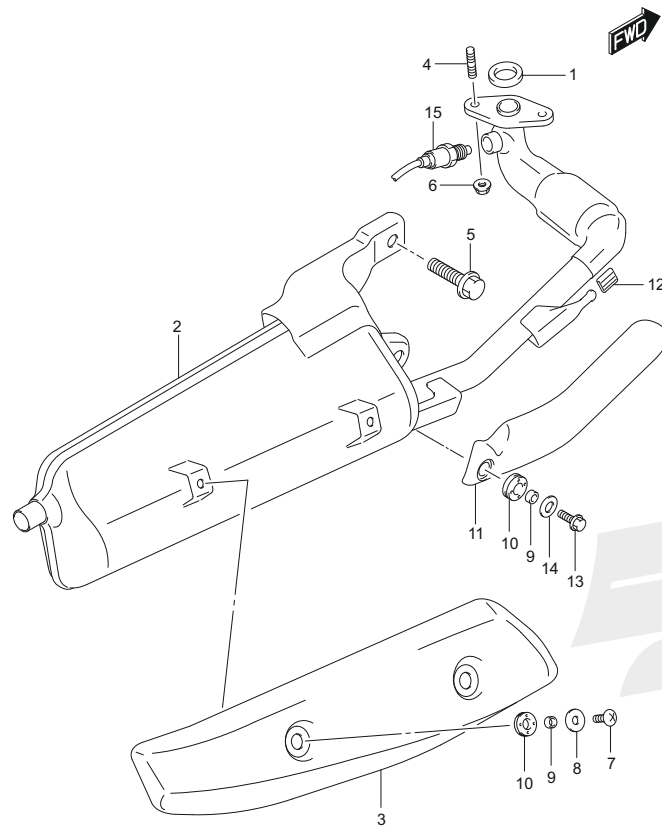
155A (B-11) AIR CLEANER

REF NO.	PART NO.	DESCRIPTION	QTY	REMARKS
1	13700-02L10-000	CLEANER ASSY,AIR	1	
2	13755-54G00-000	.CLIP,AIR CLEANER	2	
3	13740-08K00-000	.CAP,AIR CLEANER	1	
4	13746-08K00-000	.GASKET	1	
5	13891-08K00-000	..TUBE,INLET	1	
6	13746-08K00-000	.GASKET	1	
7	13780-02L10-000	.FILTER ASSY,AIR	1	
8	09401-12418-000	.CLIP	2	
9	09401-14101-000	.CLIP (ID:14.5)	1	
10	13825-08K00-000	.CLIP	2	
11	13871-41H00-000	.PLUG,DRAIN	2	
12	13856-02L10-000	.CLAMP	1	
13	03541-0520A-000	.SCREW	4	
14	13850-02L10-000	.TUBE,BRETHER	1	
15	13859-41B10-000	.PLUG	1	
16	63114-08K00-000	BOLT,REAR FENDER LOWER	1	
17	09116-06103-000	BOLT (6X30)	2	
18	13700-02810-000	AIR FILTER KIT	1	



163A

163A (B-12) MUFFLER

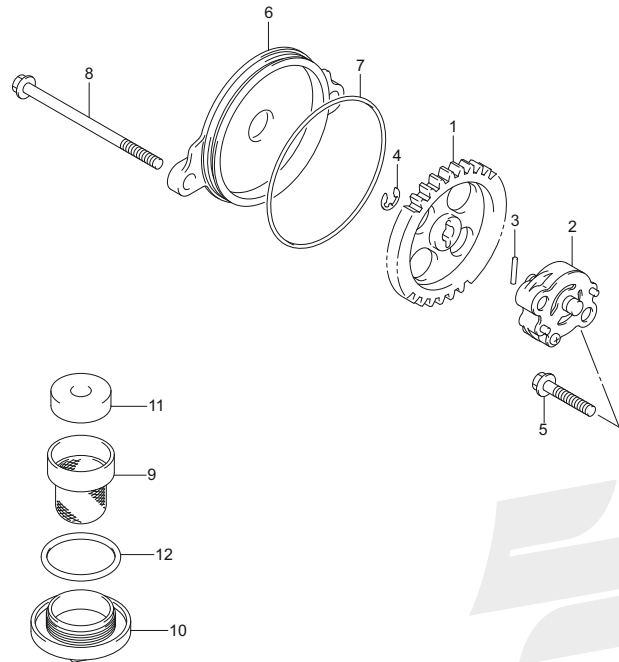


REF NO.	PART NO.	DESCRIPTION	QTY	REMARKS
1	14181-30A30-000	GASKET,EXH PIPE	1	
2	14310-02L10-000	BODY,MUFFLER	1	
3	14781-08K10-000	COVER,MUF	1	
4	01421-0616A-000	BOLT,STUD	2	
5	01550-1040A-000	BOLT	2	
6	08316-1006A-000	NUT (6X12)	2	
7	09139-06198-000	SCREW (6X16)	2	
8	09160-06028-000	WASHER (6.5X18X1.0)	2	
9	09180-06343-000	SPACER	1	
10	09320-08082-000	CUSHION	1	
11	14180-44K10-000	COVER,EXH PIPE	1	
12	14795-10FA0-000	GROMMET	1	
13	01550-0616B-000	BOLT	1	
14	09160-06151-000	WASHER (6.5X18X1)	1	
15	18213-12K10-000	SENSOR,OXYGEN	1	

2

170A

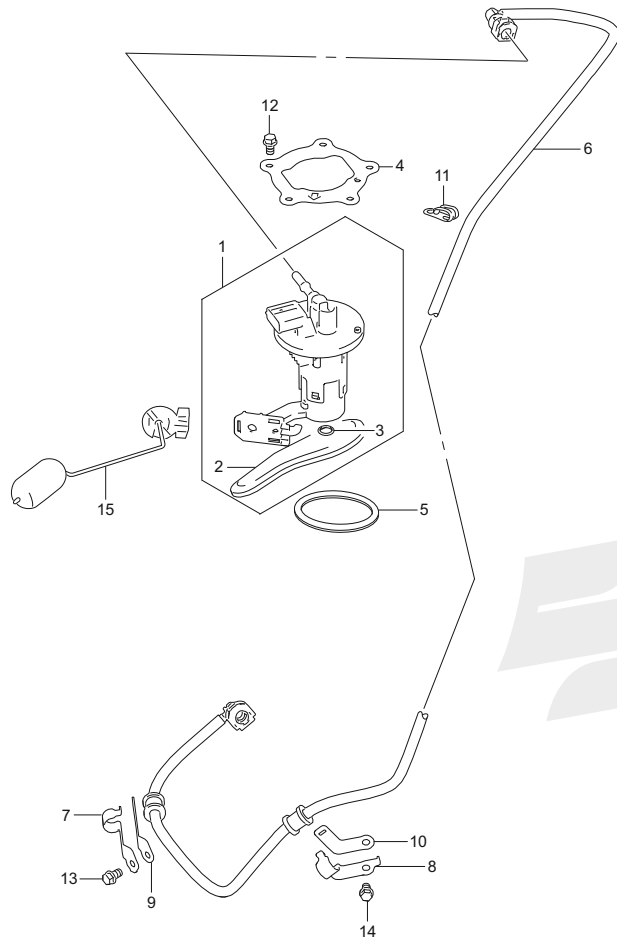
2



170A (B-13) OIL PUMP

REF NO.	PART NO.	DESCRIPTION	QTY	REMARKS
1	16331-08K00-000	GEAR,OIL PUMP DRIVEN (NT:43)	1	
2	16400-08K00-000	PUMP ASSY,ENG OIL	1	
3	16421-20E00-000	PIN	1	
4	08332-11059-000	E RING	1	
5	01547-0625A-000	BOLT	2	
6	16422-09J00-000	COVER,OIL PUMP	1	
7	16423-09J00-000	O-RING,OIL PUMP COVER	1	
8	01547-0680A-000	BOLT	2	
9	16520-09J00-000	STRAINER,ENG OIL	1	
10	16523-09J00-000	CAP,OIL STRAINER	1	
11	16526-09J00-000	PLUG,OIL STRAINER	1	
12	16525-09J00-000	O-RING	1	

172A



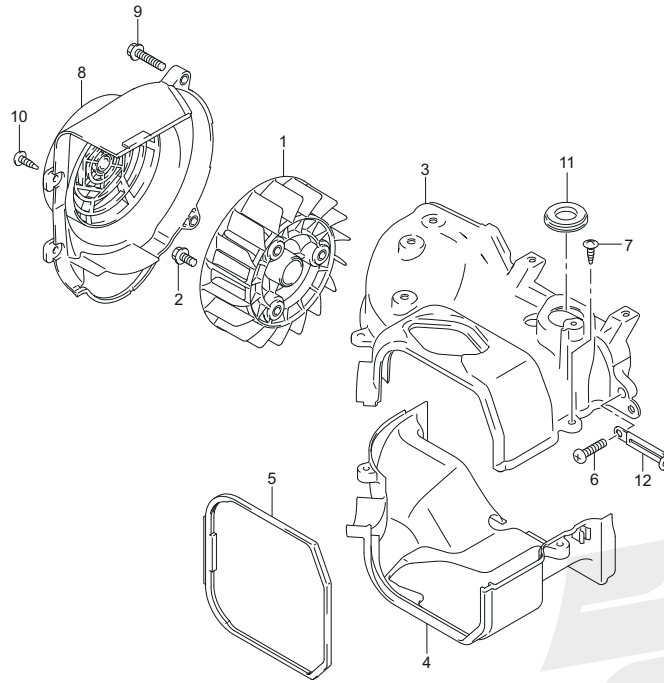
172A (B-14) FUEL PUMP

REF NO.	PART NO.	DESCRIPTION	QTY	REMARKS
1	15100-02L00-000	PUMP ASSY, FUEL	1	
2	15420-02L00-000	.FILTER	1	
3	15424-09JB0-000	.O RING	1	
4	15121-02L00-000	PLATE,FUEL PUMP	1	
5	15201-02L00-000	O-RING,FUEL PUMP	1	
6	15810-02L00-000	HOSE,FUEL	1	
7	15891-02L00-000	CLAMP,FUEL HOSE FR	1	
8	15892-02L00-000	CLAMP,FUEL HOSE RR	1	
9	15893-02L00-000	CLAMP,FUEL HOSE RR NO.2	1	
10	15894-02L00-000	CLAMP,FUEL HOSE RR NO.2	1	
11	09404-06429-000	CLAMP (L:45)	1	
12	01547-0610A-000	BOLT	5	
13	01547-0610A-000	BOLT	1	
14	01547-0610A-000	BOLT	1	
15	34810-02L00-000	GAUGE ASSY,FUEL LEVEL SENDER	1	

2

181A

2

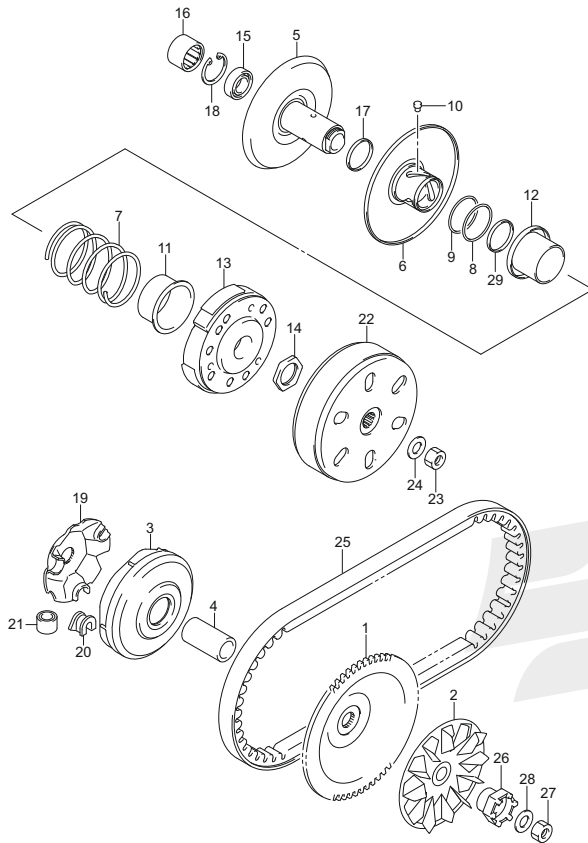


181A (B-15) COOLING FAN

REF NO.	PART NO.	DESCRIPTION	QTY	REMARKS
1	17110-09J50-000	FAN,COOLING	1	
2	01550-0612A-000	BOLT	3	
3	17120-02L00-000	COWLING,CYLINDER UPPER	1	
4	17122-02L00-000	COWLING,CYLINDER LOWER	1	
5	17123-08K00-000	MOLD,CYLINDER COWLING	1	
6	01547-0625A-000	BOLT	1	
7	03541-0516A-000	SCREW	2	
8	17130-02L00-000	COWLING,FAN	1	
9	01547-0625A-000	BOLT	2	
10	03541-0516A-000	SCREW	2	
11	17124-02L00-000	MOLD,TENSIONER ADJUSTER	1	
12	09404-06429-000	CLAMP (L:45)	1	



210A



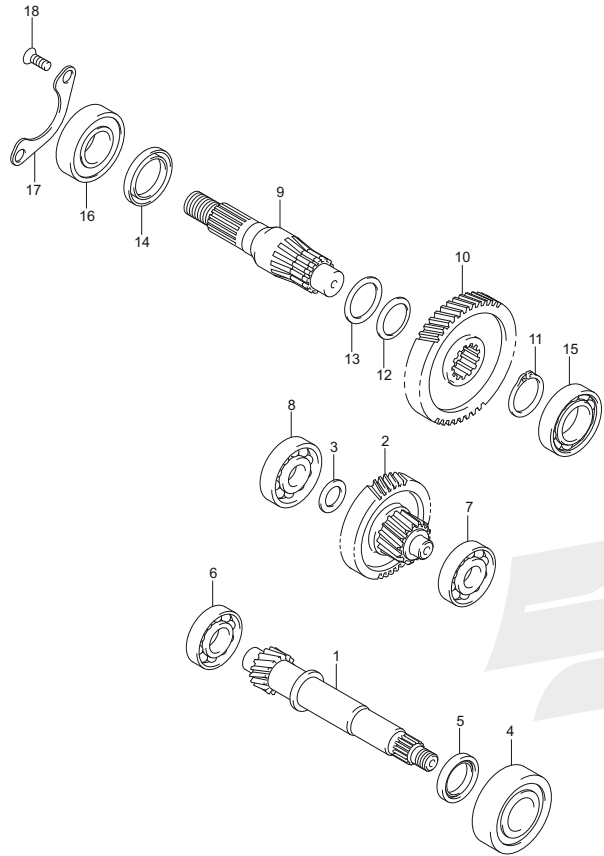
UZ125M2_P74_210A
TRANSMISSION (1)

210A (B-16) TRANSMISSION (1)

REF NO.	PART NO.	DESCRIPTION	QTY	REMARKS
1	21111-08K00-000	FACE, FIXED DRIVE	1	
2	21113-39J10-000	FAN, FIXED DRIVE	1	
3	21120-33G70-000	FACE, MOVABLE DRIVE	1	
4	21125-33G00-000	SPACER, MOVABLE DRIVE	1	
5	21210-08K00-000	FACE, FIXED DRIVEN	1	
6	21240-08K01-000	FACE, MOVABLE DRIVEN	1	
7	21243-08K00-000	SPRING, MOVABLE DRIVEN	1	
8	21245-09J00-000	O-RING, MOVABLE DRIVEN	1	
9	21246-08K00-000	O-RING, MOVABLE DRIVEN	1	
10	21248-08K00-000	PIN, MOVABLE DRIVEN	3	
11	21472-08K10-000	SHEET, CLUTCH DRIVE PLATE	1	
12	21471-08K00-000	SHEET, MOVABLE DRIVEN	1	
13	21501-08K00-000	CLUTCH ASSY, SHOE	1	
14	09140-28004-000	NUT	1	
15	21215-08K10-000	BEARING, FIXED DRIVEN, L	1	
16	21214-08K00-000	BEARING, FIXED DRIVEN, R	1	
17	21247-08K00-000	SEAL, MOVABLE DRIVEN OIL	1	
18	21216-08K00-000	CIRCLIP, FIXED DRIVEN	1	
19	21431-33G00-000	PLATE, MOVABLE DRIVE	1	
20	21481-08K00-000	DAMPER, MOVABLE DRIVE PLATE	3	
21	21650-08K10-000	ROLLER, MOVABLE DRIVE	6	
22	21220-08K00-000	HOUSING, CLUTCH	1	
23	09140-12055-000	NUT	1	
24	08211-12223-000	WASHER	1	
25	27601-08K10-000	V-BELT, DRIVE	1	
26	26231-08K00-000	STARTER, KICK, RH	1	
27	09140-12055-000	NUT	1	
28	08211-12223-000	WASHER	1	
29	21247-08K00-000	SEAL, MOVABLE DRIVEN OIL	1	

211A

2

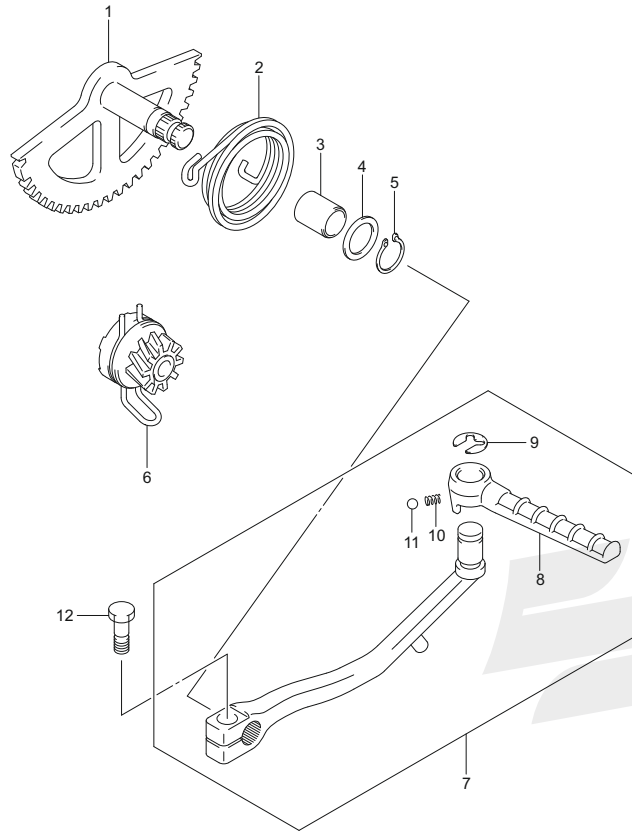


211A (C-2) TRANSMISSION (2)

REF NO.	PART NO.	DESCRIPTION	QTY	REMARKS
1	24131-33G80-000	SHAFT,DRIVE (NT:17)	1	
2	24150-39J20-000	SHAFT,IDLE (NT:13/42)	1	
3	09181-12167-000	SHIM (12X20X1)	1	
4	09262-20171-000	BEARING,DRIVE SHAFT LH (20X47X14)	1	
5	09283-20069-000	SEAL,DRIVE SHAFT OIL (19X28X5)	1	
6	08110-6202A-000	BEARING (15X35X11)	1	
7	09262-12034-000	BEARING,IDLE SHAFT LH (12X32X10)	1	
8	09262-12035-000	BEARING,IDLE SHAFT RH (12X28X8)	1	
9	24141-08K10-000	SHAFT,REAR AXLE	1	
10	24371-39J10-000	GEAR,FINAL DRIVEN (NT:45)	1	
11	08331-31249-000	CIRCLIP	1	
12	24142-08K00-000	WASHER,FINAL DRIVEN GEAR	1	
13	09181-25051-000	SHIM (T:0.60)	1	
14	09283-29007-000	SEAL,AXLE SHAFT OIL	1	
15	08110-62030-000	BEARING	1	
16	09262-22041-000	BEARING (22X50X14)	1	
17	24751-09J00-000	RETAINER,DRIVE SHAFT BEARING	1	
18	02122-0616A-000	SCREW	2	



240A



240A (C-3) KICK STARTER

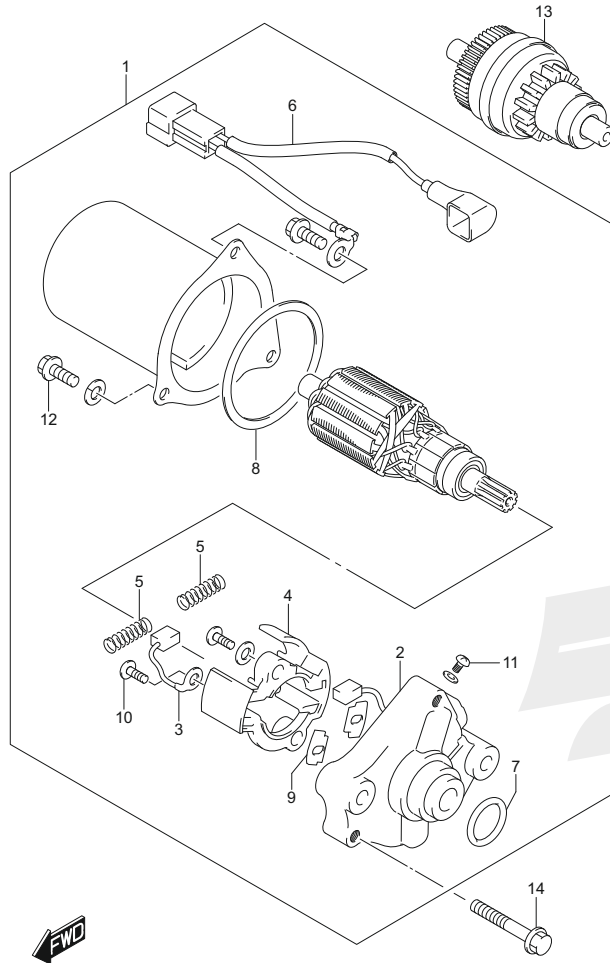
REF NO.	PART NO.	DESCRIPTION	QTY	REMARKS
1	26210-08K20-000	SHAFT,KICK STARTER	1	
2	26212-46G00-000	SPRING,KICK STARTER SHAFT	1	
3	26213-39J00-000	BUSH,KICK SHAFT	1	
4	09160-14053-000	WASHER (14.5X22X0.8)	1	
5	08331-31149-000	CIRCLIP	1	
6	26200-39J00-000	GEAR ASSY,KICK STARTER DRIVEN (NT:10)	1	
7	26300-08K00-000	LEVER ASSY,KICK STARTER	1	
8	26351-08K00-000	.PEDAL,KICK STARTER	1	
9	09383-08002-000	.E RING	1	
10	09440-05005-000	.SPRING	1	
11	06112-07004-000	.BALL	1	
12	26314-33G30-000	BOLT,KICK STARTER LEVER	1	

2



301A

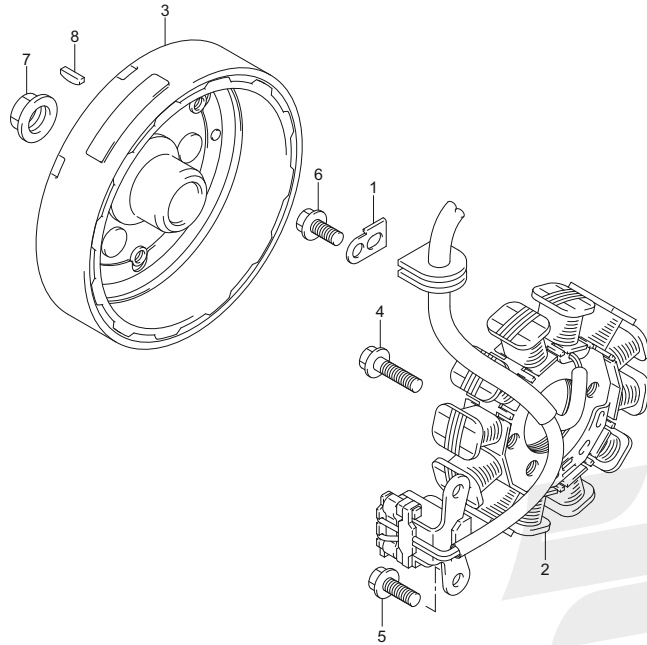
2



301A (C-4) STARTING MOTOR

REF NO.	PART NO.	DESCRIPTION	QTY	REMARKS
1	31100-08K20-000	MOTOR ASSY,STARTING	1	
2	31130-08K20-000	.HOLDER ASSY,STARTING	1	
3	31131-08K20-000	.BRUSH,UNIT	2	
4	31132-08K20-000	.HOLDER,BRUSH	1	
5	31135-08K20-000	.SPRING	2	
6	31142-08K10-000	.WIRE,STARTER MOTOR	1	
7	31156-32G00-000	.O RING	1	
8	31157-08K20-000	.GASKET	1	
9	31173-08K20-000	.INSULATOR,BRUSH	1	
10	02112-34063-000	.SCREW	2	
11	02112-34088-000	.SCREW	1	
12	02112-3512A-000	.SCREW	3	
13	31370-32G00-000	PINION ASSY,STARTING MOTOR	1	
14	01547-0630A-000	BOLT	2	

303A



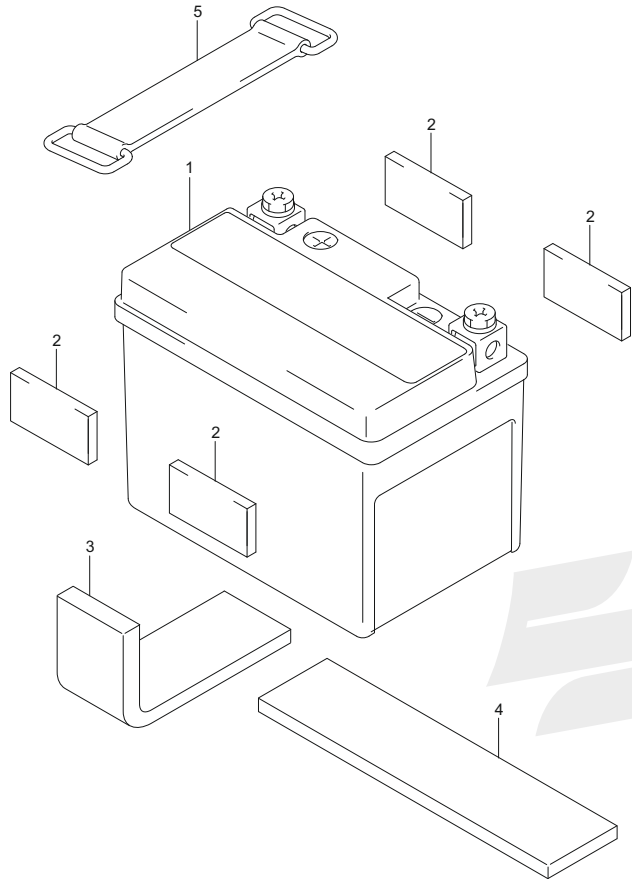
303A (C-5) MAGNETO

REF NO.	PART NO.	DESCRIPTION	QTY	REMARKS
1	31497-39J00-000	CLAMP,MAGNETO LEAD	1	
2	32101-02L00-000	STATOR ASSY	1	
3	32102-02L00-000	ROTOR ASSY	1	
4	07130-0625A-000	BOLT	2	
5	07130-0612A-000	BOLT	2	
6	07130-0612A-000	BOLT	1	
7	08316-1010A-000	NUT	1	
8	08341-31039-000	KEY	1	



310A

2

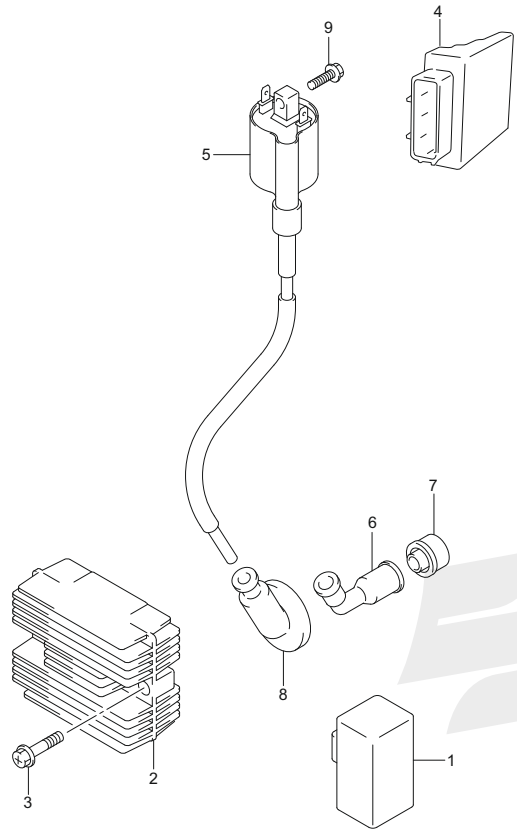


310A (C-6) BATTERY

REF NO.	PART NO.	DESCRIPTION	QTY	REMARKS
1	33610-39J30-000	BATTERY ASSY	1	12V4AH (NON-SERVICEABLE) (EXIDE)
2	33652-39J00-000	PROTECTOR,BATTERY (20X40X3)	4	
3	33652-43J00-000	PROTECTOR, BATTERY	1	
4	33652-29100-000	PROTECTOR,BATTERY (170X95X3.0)	1	
5	09462-00043-000	BAND	1	

312A

312A (C-7) ELECTRICAL



REF NO.	PART NO.	DESCRIPTION	QTY	REMARKS
1	31800-23J20-000	RELAY ASSY,STARTING MOTOR	1	
2	32800-02L00-000	RECTIFIER ASSY	1	
3	02162-0625A-000	SCREW	2	
4	32920-02L20-000	CONTROL UNIT,FI	1	
5	33410-02L10-000	COIL ASSY,IGNITION	1	
6	33510-08K00-000	CAP,SPARK PLUG	1	
7	33541-08K00-000	SEAL,SPARK PLUG	1	
8	33542-08K00-000	SEAL,HIGH TENSION CORD	1	
9	01547-0620A-000	BOLT	2	

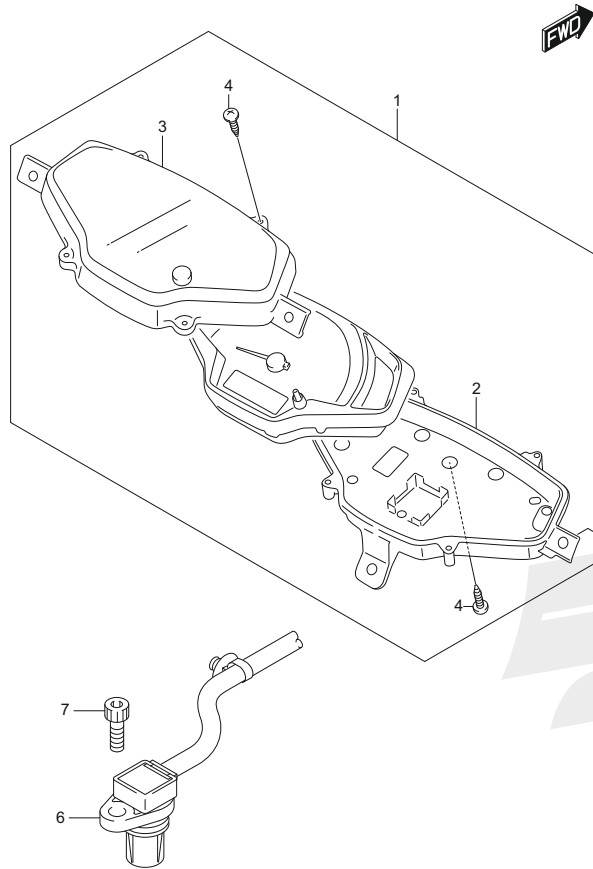


330A

330A (C-8) SPEEDOMETER (UZ125ND,UZ125NDY,UZ125NE,
UZ125NEY,UZ125NH)

REF NO.	PART NO.	DESCRIPTION	QTY	REMARKS
1	34100-02L20-000	SPEEDOMETER ASSY	1	
2	34152-02L00-000	.LOWER CASE ASSY	1	
3	34154-02L20-000	.GLASS ASSY	1	
4	34383-10B00-000	.SCREW (3X16)	9	
5	03541-0516A-000	SCREW	3	
6	34990-44K01-000	SENSOR,SPEED	1	
7	07130-0616A-000	BOLT	1	

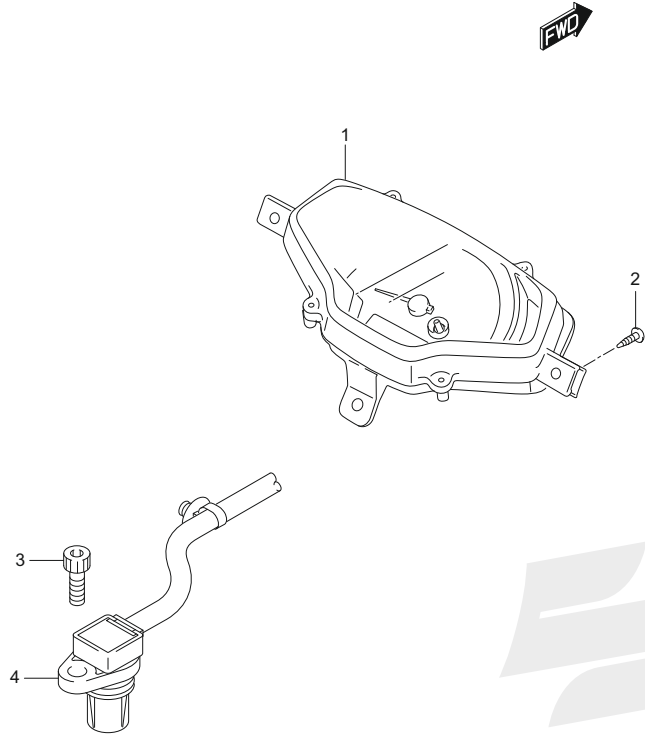
3



330B

330B (C-9) SPEEDOMETER (UZ125NDW,UZ125NEW)

REF NO.	PART NO.	DESCRIPTION	QTY	REMARKS
1	34100-02L10-000	SPEEDOMETER ASSY	1	
2	03541-0516A-000	SCREW	3	
3	34990-44K01-000	SENSOR,SPEED	1	
4	07130-0616A-000	BOLT	1	



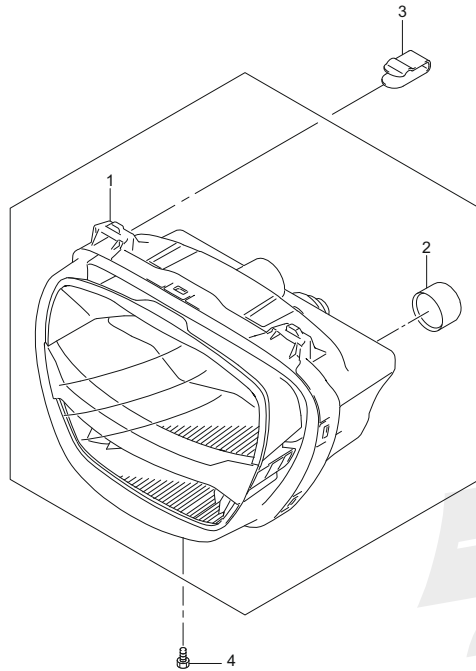
3

333A

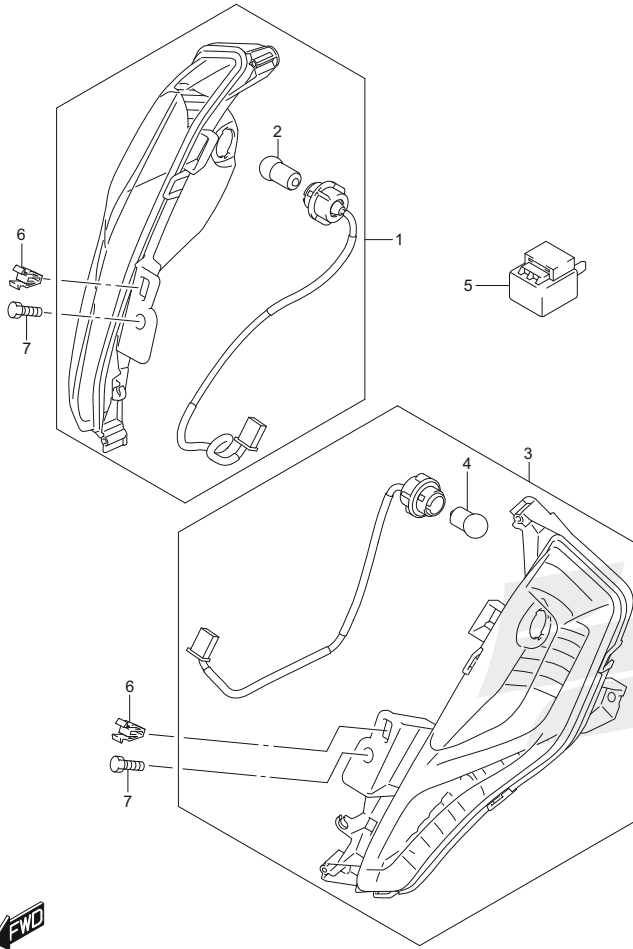
333A (C-10) HEADLAMP

REF NO.	PART NO.	DESCRIPTION	QTY	REMARKS
1	35100-02L10-000	HEADLAMP ASSY	1	
2	35529-02L10-000	.CAP	2	
3	35194-23F00-000	CLIP,HEADLAMP	2	
4	09136-05051-000	SCREW (5X12)	1	

3



335A



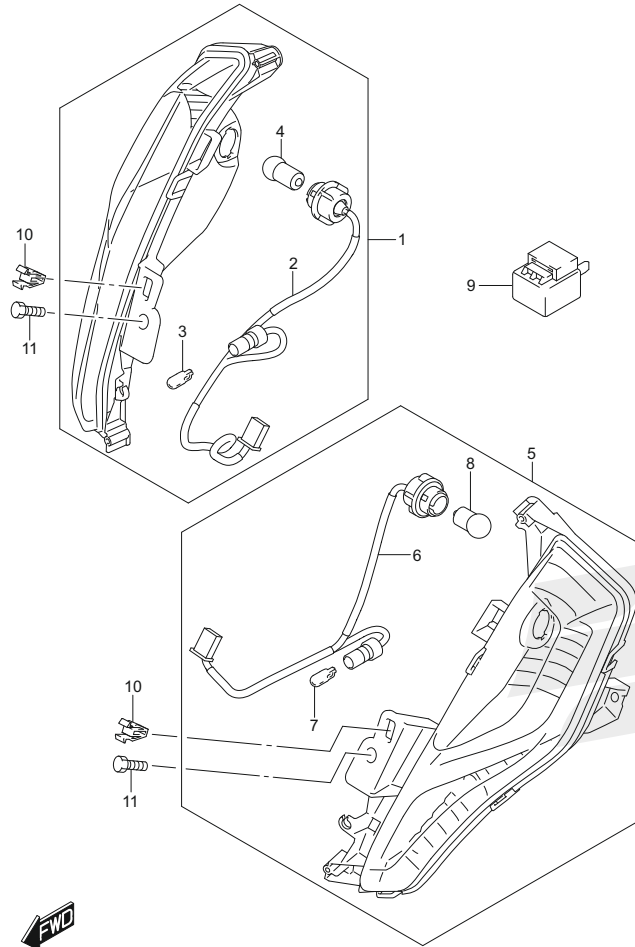
335A (C-11) FRONT TURNSIGNAL LAMP (UZ125NDW,UZ125NEW)

REF NO.	PART NO.	DESCRIPTION	QTY	REMARKS
1	35601-02L00-000	LAMP ASSY,FRONT TURNSIGNAL RH	1	
2	09471-12226-000	.BULB (12V10W)	1	
3	35602-02L00-000	LAMP ASSY,FRONT TURNSIGNAL LH	1	
4	09471-12226-000	.BULB (12V10W)	1	
5	38610-23J10-000	RELAY ASSY,TURNSIGNAL	1	
6	09409-08L09-000	CLIP	2	
7	01550-0612A-000	BOLT	2	

335B

335B (C-12) FRONT TURNSIGNAL LAMP (SEE NOTE 1)

3

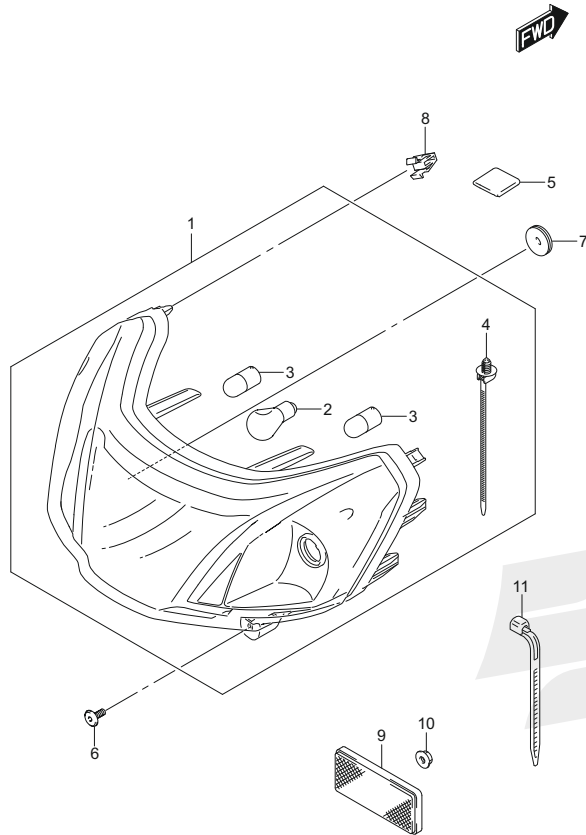


REF NO.	PART NO.	DESCRIPTION	QTY	REMARKS
1	35601-08K20-000	LAMP ASSY,FRONT TURNSIGNAL RH	1	
2	35618-08K00-000	.CORD ASSY RH	1	
3	09471-12216-000	.BULB (12V5W)	1	
4	09471-12226-000	.BULB (12V10W)	1	
5	35602-08K20-000	LAMP ASSY,FRONT TURNSIGNAL LH	1	
6	35638-08K00-000	.CORD ASSY LH	1	
7	09471-12216-000	.BULB (12V5W)	1	
8	09471-12226-000	.BULB (12V10W)	1	
9	38610-23J10-000	RELAY ASSY,TURNSIGNAL	1	
10	09409-08L09-000	CLIP	2	
11	01550-0612A-000	BOLT	2	

NOTE 1:

UZ125ND,UZ125NDY,UZ125NE,UZ125NEY,UZ125NH

339A



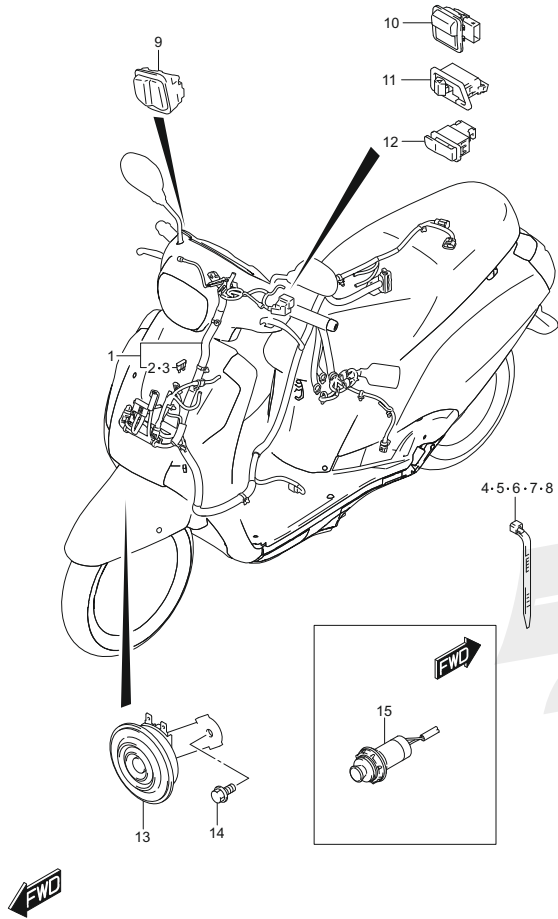
339A (C-13) REAR COMBINATION LAMP

REF NO.	PART NO.	DESCRIPTION	QTY	REMARKS
1	35710-08KB0-000	LAMP ASSY,REAR COMB	1	
2	09471-12128-000	.BULB (12V21/5W,BF141-49642A)	1	
3	09471-12226-000	.BULB (12V10W)	2	
4	58623-27K00-000	.CLAMP,CLUTCH CABLE NO.2	1	
5	13719-84150-000	PAD (40X40X5)	1	
6	09139-05092-000	SCREW (5X13)	2	
7	09320-08018-000	CUSHION (8X26X7)	2	
8	09409-08L09-000	CLIP	2	
9	35970-28G00-000	REFLECTOR ASSY,REAR	1	
10	08316-1005A-000	NUT	1	
11	09407-14L01-000	CLAMP,WIRING HARNESS (L:125)	1	

3

350A

3

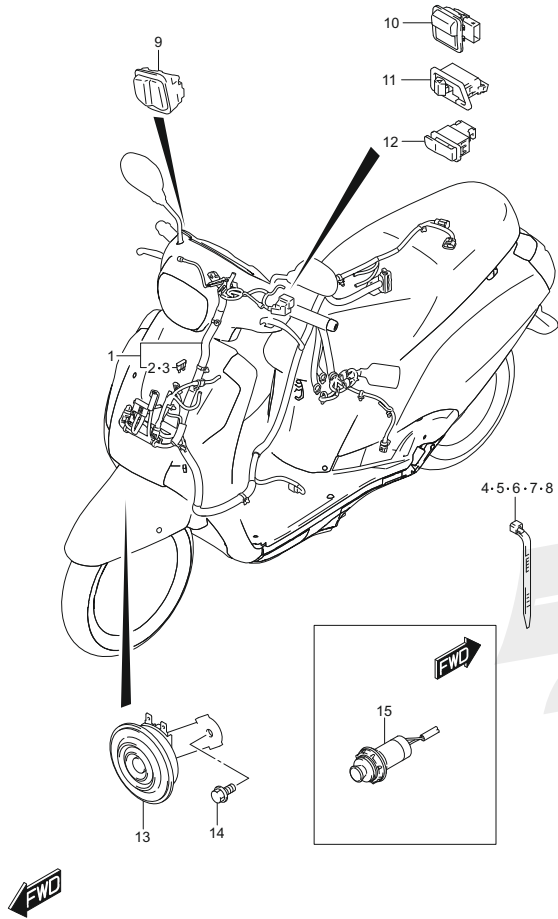


350A (C-14) WIRING HARNESS (UZ125NDW,UZ125NDY, UZ125NEW,UZ125NEY)

REF NO.	PART NO.	DESCRIPTION	QTY	REMARKS
1	36610-02L40-000	HARNESS,WIRING	1	
2	09481-15501-000	.FUSE (15A)	1	
3	09481-20501-000	.FUSE (20A)	1	
4	36990-70F20-000	CLAMP,COMB SW WIRE (L:165)	1	
5	09407-15408-000	CLAMP,WIRING HARNESS	1	
6	09407-14L01-000	CLAMP,WIRING HARNESS (L:125)	3	
7	09407-19407-000	CLAMP	1	
8	09407-29403-000	CLAMP,WIRING HARNESS	1	
9	37330-02L10-000	SWITCH ASSY,STARTER & ENG STOP	1	
10	37420-02L10-000	SWITCH ASSY,DIMMER	1	
11	37510-33G40-000	SWITCH ASSY,TURNSIGNAL	1	
12	37520-33G11-000	SWITCH ASSY,HORN	1	
13	38500-02L00-000	HORN ASSY	1	
14	01550-0612A-000	BOLT	1	
15	39105-44K00-000	SOCKET,USB	1	

350B

350B (C-15) WIRING HARNESS (UZ125ND,UZ125NE,UZ125NH)



REF NO.	PART NO.	DESCRIPTION	QTY	REMARKS
1	36610-02L50-000	HARNESS,WIRING	1	
2	09481-15501-000	.FUSE (15A)	1	
3	09481-20501-000	.FUSE (20A)	1	
4	36990-70F20-000	CLAMP,COMB SW WIRE (L:165)	1	
5	09407-15408-000	CLAMP,WIRING HARNESS	1	
6	09407-14L01-000	CLAMP,WIRING HARNESS (L:125)	3	
7	09407-19407-000	CLAMP	1	
8	09407-29403-000	CLAMP,WIRING HARNESS	1	
9	37330-02L10-000	SWITCH ASSY,STARTER & ENG STOP	1	
10	37420-02L10-000	SWITCH ASSY,DIMMER	1	
11	37510-33G40-000	SWITCH ASSY,URNSIGNAL	1	
12	37520-33G11-000	SWITCH ASSY,HORN	1	
13	38500-02L00-000	HORN ASSY	1	
14	01550-0612A-000	BOLT	1	
15	39105-44K00-000	SOCKET,USB	1	OPT

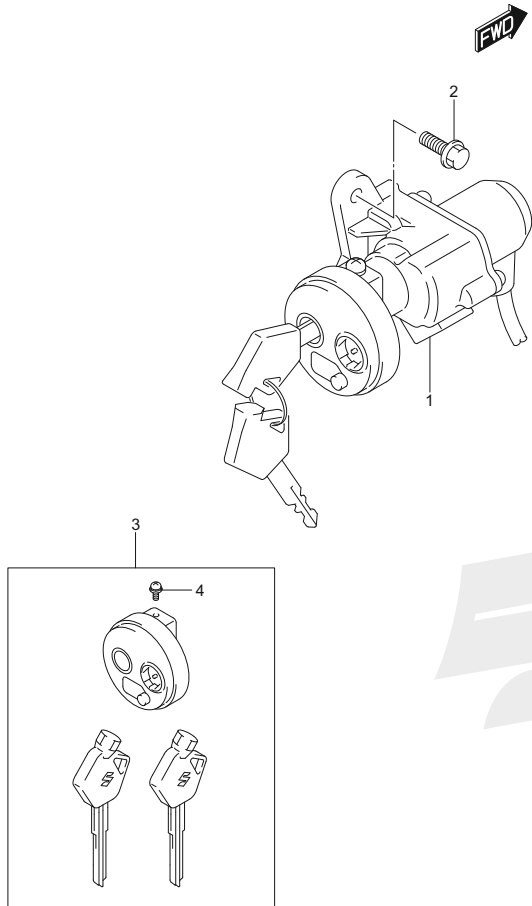
3

352A

352A (C-16) LOCK SET

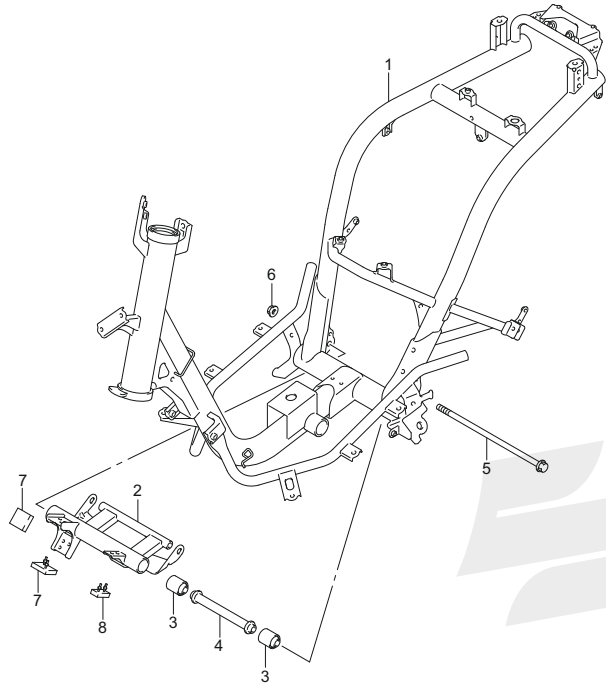
REF NO.	PART NO.	DESCRIPTION	QTY	REMARKS
1	37100-08K10-000	LOCK ASSY,STEERING	1	
2	01550-0616A-000	BOLT (6X16)	2	
3	37155-08810-000	SHUTTER SET	1	
4	02112-3510A-000	.SCREW	1	

3



401A

401A (D-2) FRAME



REF NO.	PART NO.	DESCRIPTION	QTY	REMARKS
1	41100-02L20-000	FRAME	1	
2	41180-39J30-000	BRACKET,CRANKCASE	1	
3	41184-39J00-000	BUSH,CRANKCASE BRKT	2	
4	41170-09J10-000	SPACER,CRANKCASE BRKT	1	
5	41189-39J00-000	BOLT,CRANKCASE BRKT (10X255)	1	
6	08319-3110A-000	NUT	1	
7	41185-08K00-000	CUSHION,SWING STOP	2	
8	41185-09J00-000	CUSHION,SWING STOP	1	

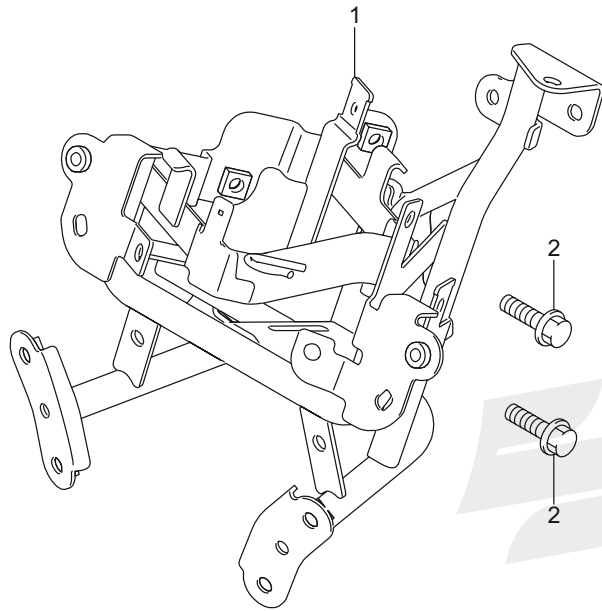


405A

405A (D-3) BATTERY HOLDER (UZ125NE,UZ125NEW,UZ125NEY)

REF NO.	PART NO.	DESCRIPTION	QTY	REMARKS
1	41540-02L20-000	HOLDER,BATTERY	1	
2	01550-0830A-000	BOLT	2	

4

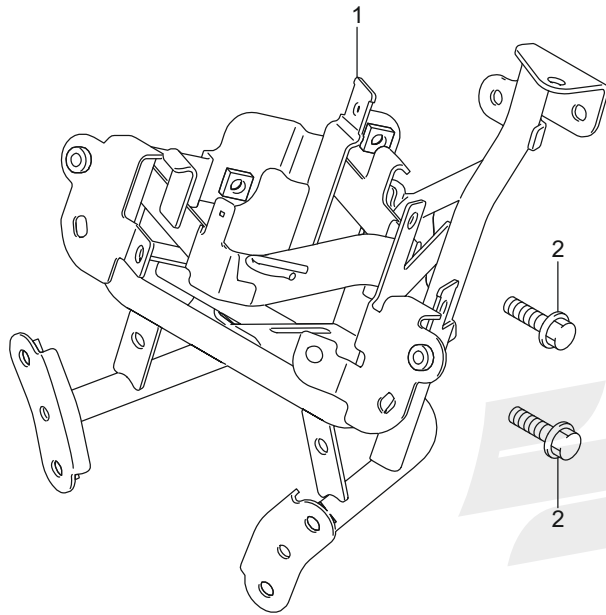


UZ125M2_P74_405A
BATTERY HOLDER

405B

405B (D-4) BATTERY HOLDER (UZ125ND,UZ125NDW,
UZ125NDY,UZ125NH)

REF NO.	PART NO.	DESCRIPTION	QTY	REMARKS
1	41540-02L30-000	HOLDER,BATTERY	1	
2	01550-0830A-000	BOLT	2	

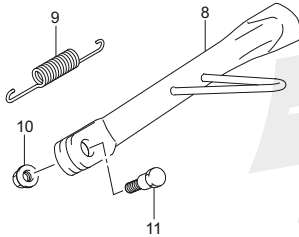
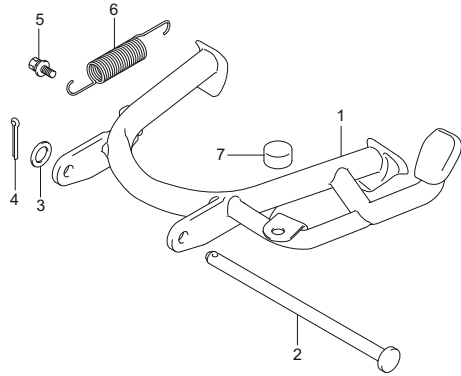


UZ125M2_P74_405B
BATTERY HOLDER

407A

407A (D-5) STAND

REF NO.	PART NO.	DESCRIPTION	QTY	REMARKS
1	42100-02L00-000	STAND,CENTER	1	
2	42211-39J00-000	SHAFT,CENTER STAND	1	
3	42275-25J00-000	WASHER,CTR STAND	1	
4	04111-3020A-000	PIN	1	
5	42251-32G00-000	BOLT,CENTER STAND SPRING	1	
6	09443-17026-000	SPRING	1	
7	42278-44K00-000	CUSHION	1	
8	42310-08K00-000	STAND,PROP	1	
9	42421-33G20-000	SPRING,PROP STAND	1	
10	64147-33G10-000	NUT,FRONT HUB	1	
11	42341-27K00-000	BOLT,PROP STAND (10X33)	1	



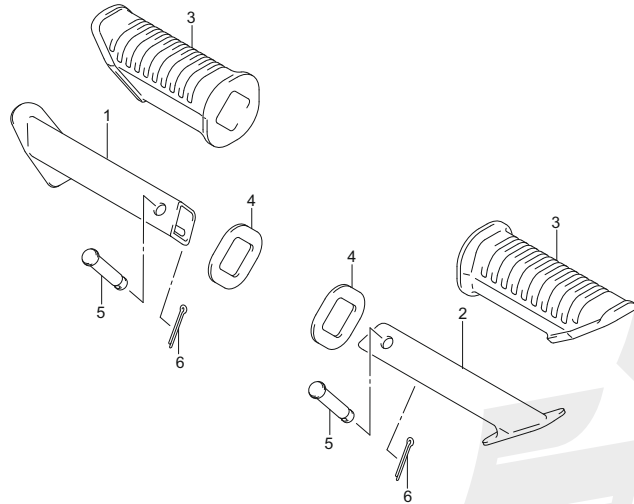
4



415A

415A (D-6) FOOTREST

REF NO.	PART NO.	DESCRIPTION	QTY	REMARKS
1	43610-28G01-000	BAR,PILLION FOOTREST RH	1	
2	43710-28G01-000	BAR,PILLION FOOTREST LH	1	
3	43612-33G01-000	RUBBER,PILLION FOOTREST	2	
4	43631-09G00-000	WASHER,PILLION FOOTREST RUBBER 2	2	
5	09200-06057-000	PIN	2	
6	04111-2515A-000	PIN	2	

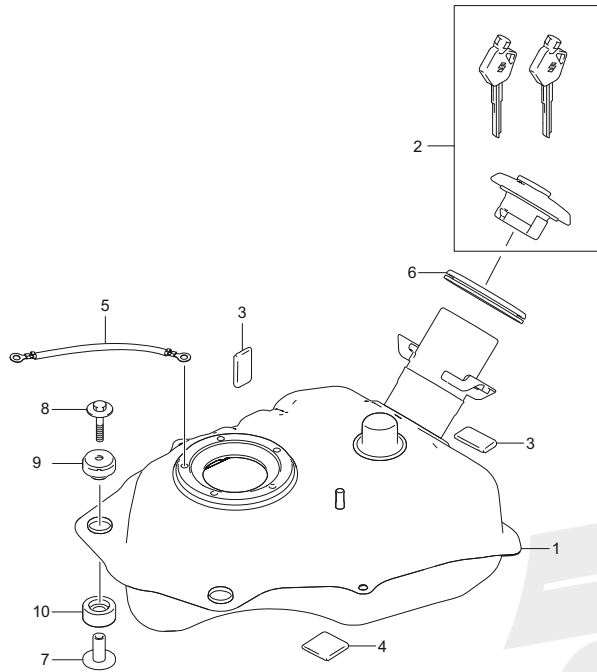


420A

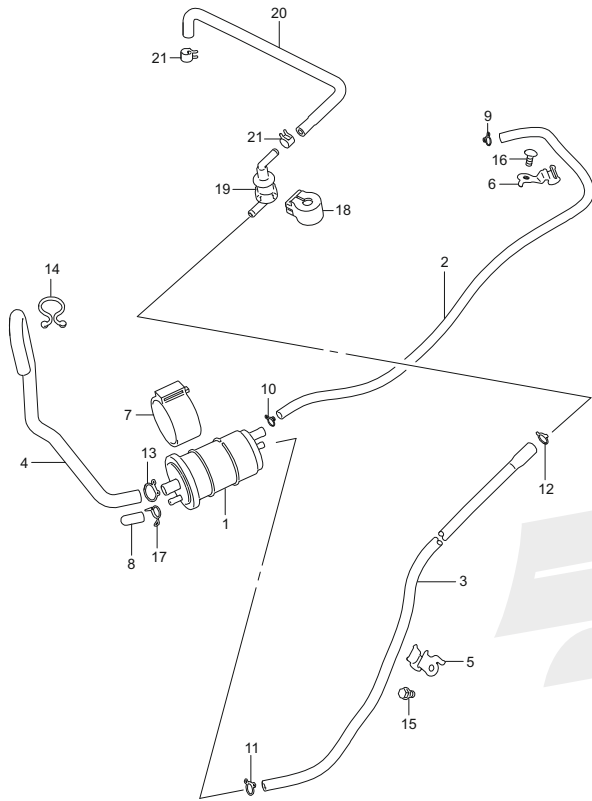
420A (D-7) FUEL TANK

REF NO.	PART NO.	DESCRIPTION	QTY	REMARKS
1	44110-02L00-000	TANK,FUEL	1	
2	44200-02810-000	CAP SET,FUEL TANK FILLER	1	
3	44281-02L00-000	CUSHION,FUEL TANK UPR 2	4	
4	44281-29C00-000	CUSHION (30X30X3)	6	
5	36851-02L00-000	WIRE,FUEL TANK	1	
6	44261-02L00-000	RUBBER,FUEL TANK INLET	1	
7	44544-27K00-000	SPACER,FUEL TANK REAR CUSHION	2	
8	09116-06097-000	BOLT (6X35)	2	
9	44541-44J00-000	CUSHION,FUEL TANK REAR UPPER	2	
10	44542-44J00-000	CUSHION,FUEL TANK REAR LOWER	2	

4



427A



427A (D-8) EVAP SYSTEM

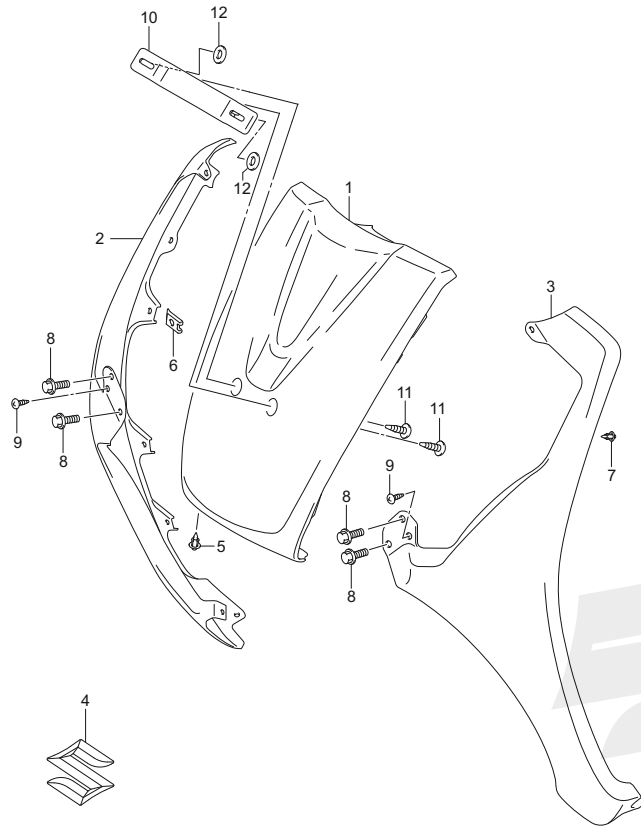
REF NO.	PART NO.	DESCRIPTION	QTY	REMARKS
1	18560-02L00-000	CANISTER ASSY, EVAP	1	
2	18561-02L10-000	HOSE, CSTR PURGE	1	
3	18563-02L00-000	HOSE, CSTR SURGE	1	
4	18567-02L00-000	HOSE, CSTR AIR	1	
5	18571-02L00-000	CLAMP, PURGE HOSE NO.1	1	
6	18572-02L00-000	CLAMP, PURGE HOSE NO.2	1	
7	18573-02L00-000	CUSHION, CANISTER	1	
8	09251-04004-000	CAP, CANISTER DRAIN	1	
9	09401-08001-000	CLIP, CANISTER PURGE HOSE NO.1	1	
10	09401-09101-000	CLIP	1	
11	09401-09101-000	CLIP	1	
12	09401-10401-000	CLIP	1	
13	09401-13102-000	CLIP	1	
14	09408-00343-000	CLAMP	1	
15	01547-0610A-000	BOLT	1	
16	03541-0512A-000	SCREW	1	
17	09401-09406-000	CLIP	1	
18	44894-39J10-000	CUSHION, FUEL TANK BRTHR	1	
19	44240-13H00-000	VALVE, FUEL TANK BRTHR	1	
20	44434-02L00-000	HOSE, TANK & BRTHR VALVE	1	
21	09401-09L03-000	CLIP (ID:9.4, H:8)	2	

4

435A

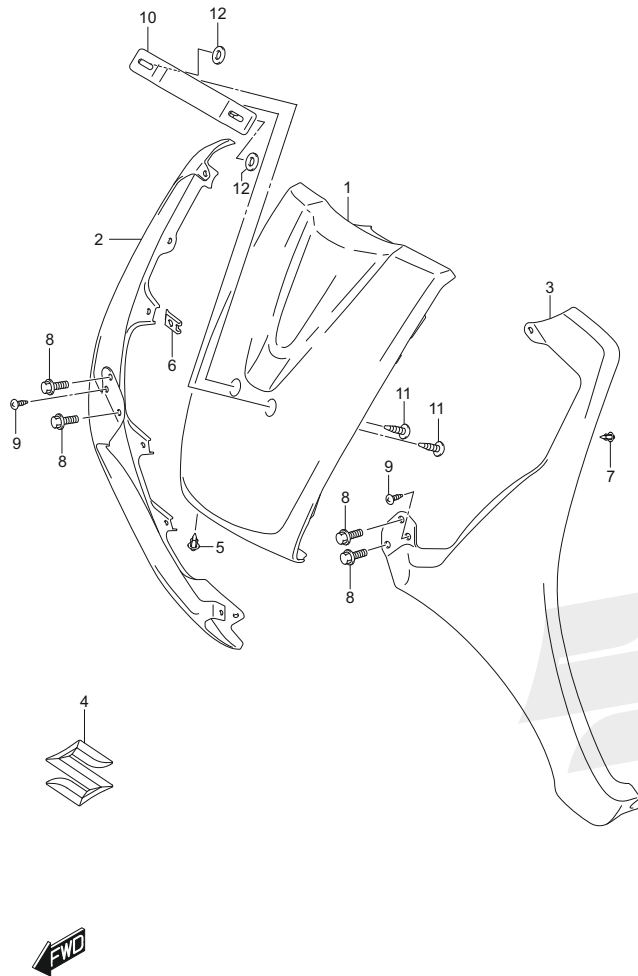
435A (D-9) FRONT LEG SHIELD (UZ125NDW,UZ125NEW)

4



REF NO.	PART NO.	DESCRIPTION	QTY	REMARKS
1-1	48111-02L00-YKV	SHIELD,LEG FRONT (BLACK)	1	BODY COLOR:YKV
1-2	48111-02L00-YPA	SHIELD,LEG FRONT (WHITE)	1	BODY COLOR:YPA
1-3	48111-02L00-YUA	SHIELD,LEG FRONT (BLUE)	1	BODY COLOR:YUA
1-4	48111-02L00-QS4	SHIELD,LEG FRONT (BRONZE)	1	BODY COLOR:QS4
2-1	48211-08K00-YKV	SHIELD,LEG FRONT,R (BLACK)	1	BODY COLOR:YKV
2-2	48211-08K00-YPA	SHIELD,LEG FRONT,R (WHITE)	1	BODY COLOR:YPA
2-3	48211-08K00-YUA	SHIELD,LEG FRONT,R (BLUE)	1	BODY COLOR:YUA
2-4	48211-08K00-QS4	SHIELD,LEG FRONT,R (BRONZE)	1	BODY COLOR:QS4
3-1	48221-08K00-YKV	SHIELD,LEG FRONT,L (BLACK)	1	BODY COLOR:YKV
3-2	48221-08K00-YPA	SHIELD,LEG FRONT,L (WHITE)	1	BODY COLOR:YPA
3-3	48221-08K00-YUA	SHIELD,LEG FRONT,L (BLUE)	1	BODY COLOR:YUA
3-4	48221-08K00-QS4	SHIELD,LEG FRONT,L (BRONZE)	1	BODY COLOR:QS4
4	68641-33GC0-000	EMBLEM,"S"	1	
5	09409-06L07-000	CLIP	2	
6	48214-08K00-000	NUT,LEG FRONT	12	
7	09409-06L07-000	CLIP	2	
8	01550-0612A-000	BOLT	4	
9	03541-0512A-000	SCREW	4	
10	48191-02L00-000	PLATE,FRONT LICENSE	1	
11	03541-0616A-000	SCREW	2	
12	08322-0105A-000	WASHER	2	

435B



435B (D-10) FRONT LEG SHIELD (UZ125ND,UZ125NH)

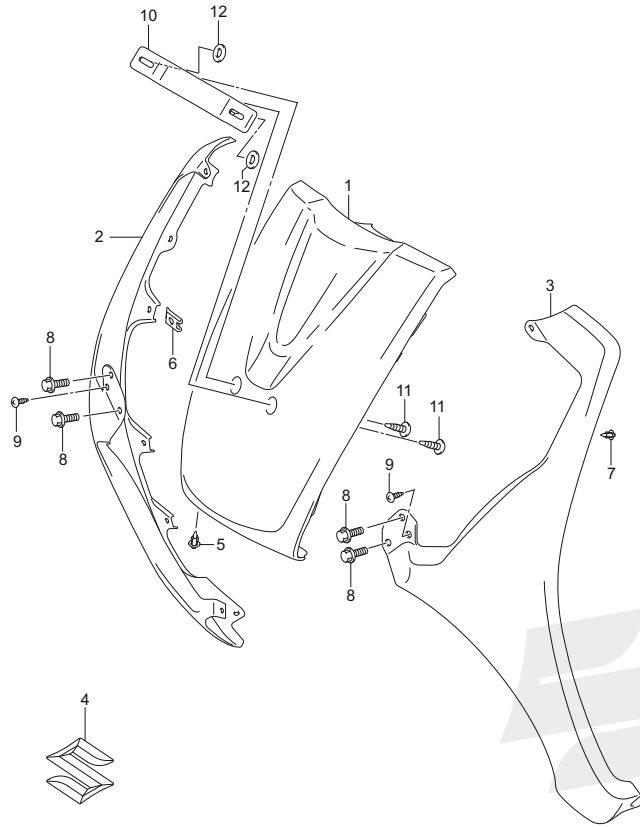
REF NO.	PART NO.	DESCRIPTION	QTY	REMARKS
1-1	48111-02L00-SAB	SHIELD,LEG FRONT (SILVER)	1	BODY COLOR:SAB
1-2	48111-02L00-YBA	SHIELD,LEG FRONT (BLUE)	1	BODY COLOR:YBA
1-3	48111-02L00-YPA	SHIELD,LEG FRONT (WHITE)	1	BODY COLOR:YPA
1-4	48111-02L00-YVB	SHIELD,LEG FRONT (BLACK)	1	BODY COLOR:YVB
1-5	48111-02L00-QMV	SHIELD,LEG FRONT (RED)	1	BODY COLOR:QMV
2-1	48211-08K00-SAB	SHIELD,LEG FRONT,R (SILVER)	1	BODY COLOR:SAB
2-2	48211-08K00-YBA	SHIELD,LEG FRONT,R (BLUE)	1	BODY COLOR:YBA
2-3	48211-08K00-YPA	SHIELD,LEG FRONT,R (WHITE)	1	BODY COLOR:YPA
2-4	48211-08K00-YVB	SHIELD,LEG FRONT,R (BLACK)	1	BODY COLOR:YVB
2-5	48211-08K00-QMV	SHIELD,LEG FRONT,R (RED)	1	BODY COLOR:QMV
3-1	48221-08K00-SAB	SHIELD,LEG FRONT,L (SILVER)	1	BODY COLOR:SAB
3-2	48221-08K00-YBA	SHIELD,LEG FRONT,L (BLUE)	1	BODY COLOR:YBA
3-3	48221-08K00-YPA	SHIELD,LEG FRONT,L (WHITE)	1	BODY COLOR:YPA
3-4	48221-08K00-YVB	SHIELD,LEG FRONT,L (BLACK)	1	BODY COLOR:YVB
3-5	48221-08K00-QMV	SHIELD,LEG FRONT,L (RED)	1	BODY COLOR:QMV
4	68641-33GC0-000	EMBLEM,"S"	1	
5	09409-06L07-000	CLIP	2	
6	48214-08K00-000	NUT,LEG FRONT	12	
7	09409-06L07-000	CLIP	2	
8	01550-0612A-000	BOLT	4	
9	03541-0512A-000	SCREW	4	
10	48191-02L00-000	PLATE,FRONT LICENSE	1	
11	03541-0616A-000	SCREW	2	
12	08322-0105A-000	WASHER	2	



435C

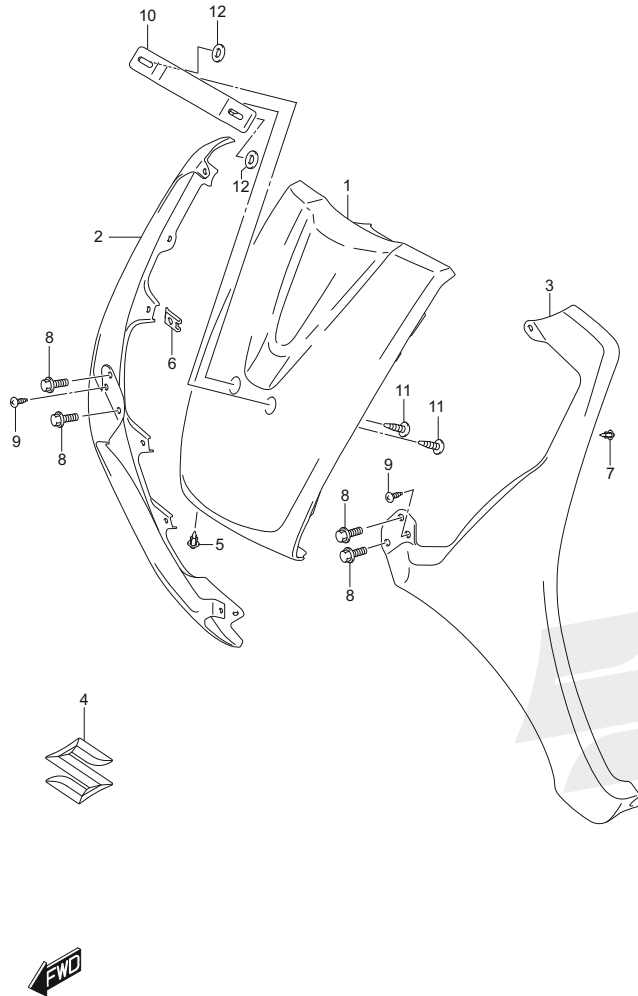
435C (D-11) FRONT LEG SHIELD (UZ125NDY,UZ125NEY)

4



REF NO.	PART NO.	DESCRIPTION	QTY	REMARKS
1-1	48111-02L00-YKV	SHIELD,LEG FRONT (BLACK)	1	BODY COLOR:YKV
1-2	48111-02L00-YPA	SHIELD,LEG FRONT (WHITE)	1	BODY COLOR:YPA
1-3	48111-02L00-QMV	SHIELD,LEG FRONT (RED)	1	BODY COLOR:QMV
1-4	48111-02L00-QTZ	SHIELD,LEG FRONT (BLUE)	1	BODY COLOR:QTZ
2-1	48211-08K00-YKV	SHIELD,LEG FRONT,R (BLACK)	1	BODY COLOR:YKV
2-2	48211-08K00-YPA	SHIELD,LEG FRONT,R (WHITE)	1	BODY COLOR:YPA
2-3	48211-08K00-QMV	SHIELD,LEG FRONT,R (RED)	1	BODY COLOR:QMV
2-4	48211-08K00-QTZ	SHIELD,LEG FRONT,R (BLUE)	1	BODY COLOR:QTZ
3-1	48221-08K00-YKV	SHIELD,LEG FRONT,L (BLACK)	1	BODY COLOR:YKV
3-2	48221-08K00-YPA	SHIELD,LEG FRONT,L (WHITE)	1	BODY COLOR:YPA
3-3	48221-08K00-QMV	SHIELD,LEG FRONT,L (RED)	1	BODY COLOR:QMV
3-4	48221-08K00-QTZ	SHIELD,LEG FRONT,L (BLUE)	1	BODY COLOR:QTZ
4	68641-33GC0-000	EMBLEM,"S"	1	
5	09409-06L07-000	CLIP	2	
6	48214-08K00-000	NUT,LEG FRONT	12	
7	09409-06L07-000	CLIP	2	
8	01550-0612A-000	BOLT	4	
9	03541-0512A-000	SCREW	4	
10	48191-02L00-000	PLATE,FRONT LICENSE	1	
11	03541-0616A-000	SCREW	2	
12	08322-0105A-000	WASHER	2	

435D



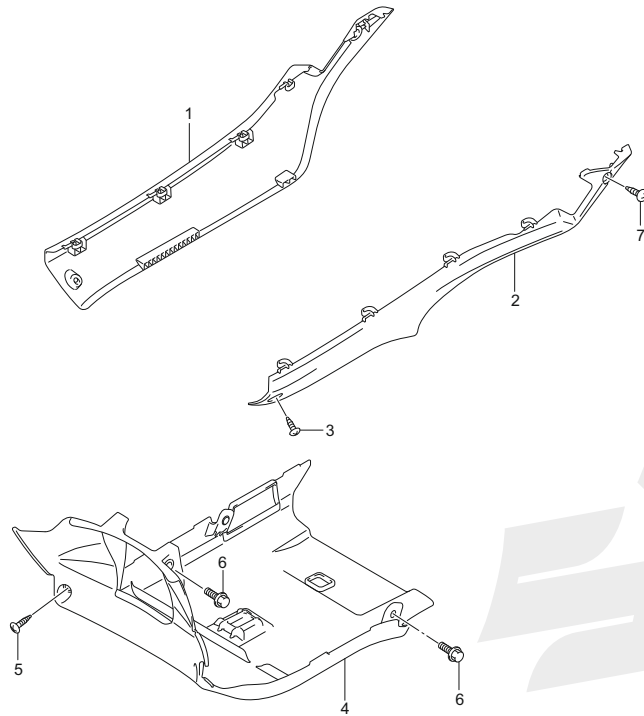
435D (D-12) FRONT LEG SHIELD (UZ125NE)

REF NO.	PART NO.	DESCRIPTION	QTY	REMARKS
1-1	48111-02L00-SAB	SHIELD,LEG FRONT (SILVER)	1	BODY COLOR:SAB
1-2	48111-02L00-YBA	SHIELD,LEG FRONT (BLUE)	1	BODY COLOR:YBA
1-3	48111-02L00-YPA	SHIELD,LEG FRONT (WHITE)	1	BODY COLOR:YPA
1-4	48111-02L00-YVB	SHIELD,LEG FRONT (BLACK)	1	BODY COLOR:YVB
1-5	48111-02L00-QMV	SHIELD,LEG FRONT (RED)	1	BODY COLOR:QMV
1-6	48111-02L00-PGZ	SHIELD,LEG FRONT (GRAY)	1	BODY COLOR:PGZ
2-1	48211-08K00-SAB	SHIELD,LEG FRONT,R (SILVER)	1	BODY COLOR:SAB
2-2	48211-08K00-YBA	SHIELD,LEG FRONT,R (BLUE)	1	BODY COLOR:YBA
2-3	48211-08K00-YPA	SHIELD,LEG FRONT,R (WHITE)	1	BODY COLOR:YPA
2-4	48211-08K00-YVB	SHIELD,LEG FRONT,R (BLACK)	1	BODY COLOR:YVB
2-5	48211-08K00-QMV	SHIELD,LEG FRONT,R (RED)	1	BODY COLOR:QMV
2-6	48211-08K00-PGZ	SHIELD,LEG FRONT,R (GRAY)	1	BODY COLOR:PGZ
3-1	48221-08K00-SAB	SHIELD,LEG FRONT,L (SILVER)	1	BODY COLOR:SAB
3-2	48221-08K00-YBA	SHIELD,LEG FRONT,L (BLUE)	1	BODY COLOR:YBA
3-3	48221-08K00-YPA	SHIELD,LEG FRONT,L (WHITE)	1	BODY COLOR:YPA
3-4	48221-08K00-YVB	SHIELD,LEG FRONT,L (BLACK)	1	BODY COLOR:YVB
3-5	48221-08K00-QMV	SHIELD,LEG FRONT,L (RED)	1	BODY COLOR:QMV
3-6	48221-08K00-PGZ	SHIELD,LEG FRONT,L (GRAY)	1	BODY COLOR:PGZ
4	68641-33GC0-000	EMBLEM,"S"	1	
5	09409-06L07-000	CLIP	2	
6	48214-08K00-000	NUT,LEG FRONT	12	
7	09409-06L07-000	CLIP	2	
8	01550-0612A-000	BOLT	4	
9	03541-0512A-000	SCREW	4	
10	48191-02L00-000	PLATE,FRONT LICENSE	1	
11	03541-0616A-000	SCREW	2	
12	08322-0105A-000	WASHER	2	

438A

438A (D-13) SIDE LEG SHIELD (UZ125NDW,UZ125NEW)

REF NO.	PART NO.	DESCRIPTION	QTY	REMARKS
1-1	48132-08K11-YKV	SHIELD,LEG SIDE,R (BLACK)	1	BODY COLOR:YKV
1-2	48132-08K11-YPA	SHIELD,LEG SIDE,R (WHITE)	1	BODY COLOR:YPA
1-3	48132-08K11-YUA	SHIELD,LEG SIDE,R (BLUE)	1	BODY COLOR:YUA
1-4	48132-08K11-QS4	SHIELD,LEG SIDE,R (BRONZE)	1	BODY COLOR:QS4
2-1	48133-08K11-YKV	SHIELD,LEG SIDE,L (BLACK)	1	BODY COLOR:YKV
2-2	48133-08K11-YPA	SHIELD,LEG SIDE,L (WHITE)	1	BODY COLOR:YPA
2-3	48133-08K11-YUA	SHIELD,LEG SIDE,L (BLUE)	1	BODY COLOR:YUA
2-4	48133-08K11-QS4	SHIELD,LEG SIDE,L (BRONZE)	1	BODY COLOR:QS4
3	03541-0516A-000	SCREW	2	
4	48131-08K00-291	COVER,UNDER (BLACK)	1	
5	03541-0516A-000	SCREW	2	
6	01550-0612A-000	BOLT	4	
7	47155-30H00-000	SCREW,FRAME COVER REAR	2	

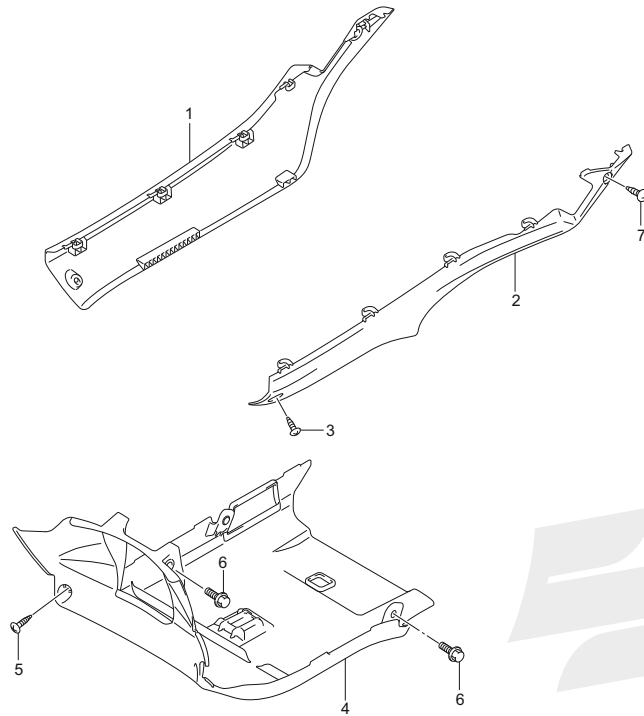


4



438B

438B (D-14) SIDE LEG SHIELD (UZ125ND,UZ125NH)



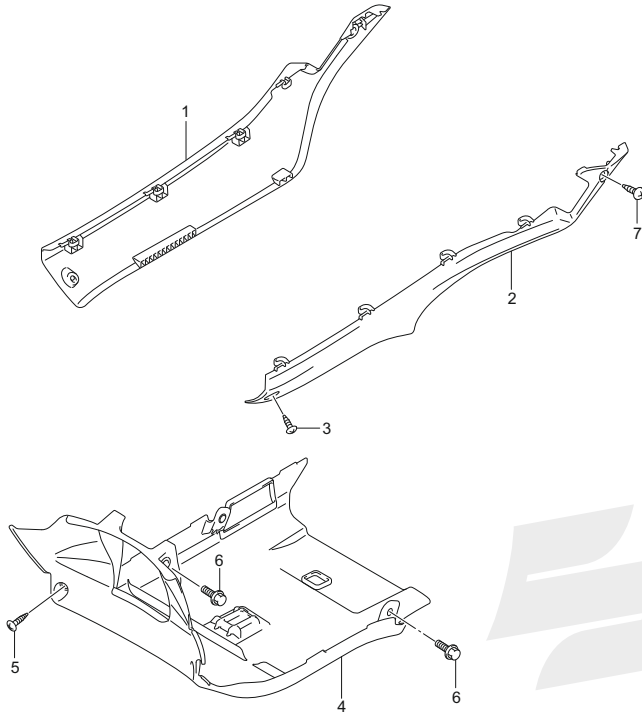
REF NO.	PART NO.	DESCRIPTION	QTY	REMARKS
1-1	48132-08K11-SAB	SHIELD,LEG SIDE,R (SILVER)	1	BODY COLOR:SAB
1-2	48132-08K11-YBA	SHIELD,LEG SIDE,R (BLUE)	1	BODY COLOR:YBA
1-3	48132-08K11-YPA	SHIELD,LEG SIDE,R (WHITE)	1	BODY COLOR:YPA
1-4	48132-08K11-YVB	SHIELD,LEG SIDE,R (BLACK)	1	BODY COLOR:YVB
1-5	48132-08K11-QMV	SHIELD,LEG SIDE,R (RED)	1	BODY COLOR:QMV
2-1	48133-08K11-SAB	SHIELD,LEG SIDE,L (SILVER)	1	BODY COLOR:SAB
2-2	48133-08K11-YBA	SHIELD,LEG SIDE,L (BLUE)	1	BODY COLOR:YBA
2-3	48133-08K11-YPA	SHIELD,LEG SIDE,L (WHITE)	1	BODY COLOR:YPA
2-4	48133-08K11-YVB	SHIELD,LEG SIDE,L (BLACK)	1	BODY COLOR:YVB
2-5	48133-08K11-QMV	SHIELD,LEG SIDE,L (RED)	1	BODY COLOR:QMV
3	03541-0516A-000	SCREW	2	
4	48131-08K00-291	COVER,UNDER (BLACK)	1	
5	03541-0516A-000	SCREW	2	
6	01550-0612A-000	BOLT	4	
7	47155-30H00-000	SCREW,FRAME COVER REAR	2	



438C

438C (D-15) SIDE LEG SHIELD (UZ125NDY,UZ125NEY)

REF NO.	PART NO.	DESCRIPTION	QTY	REMARKS
1-1	48132-08K11-YKV	SHIELD,LEG SIDE,R (BLACK)	1	BODY COLOR:YKV
1-2	48132-08K11-YPA	SHIELD,LEG SIDE,R (WHITE)	1	BODY COLOR:YPA
1-3	48132-08K11-QMV	SHIELD,LEG SIDE,R (RED)	1	BODY COLOR:QMV
1-4	48132-08K11-QTZ	SHIELD,LEG SIDE,R (BLUE)	1	BODY COLOR:QTZ
2-1	48133-08K11-YKV	SHIELD,LEG SIDE,L (BLACK)	1	BODY COLOR:YKV
2-2	48133-08K11-YPA	SHIELD,LEG SIDE,L (WHITE)	1	BODY COLOR:YPA
2-3	48133-08K11-QMV	SHIELD,LEG SIDE,L (RED)	1	BODY COLOR:QMV
2-4	48133-08K11-QTZ	SHIELD,LEG SIDE,L (BLUE)	1	BODY COLOR:QTZ
3	03541-0516A-000	SCREW	2	
4	48131-08K00-291	COVER,UNDER (BLACK)	1	
5	03541-0516A-000	SCREW	2	
6	01550-0612A-000	BOLT	4	
7	47155-30H00-000	SCREW,FRAME COVER REAR	2	

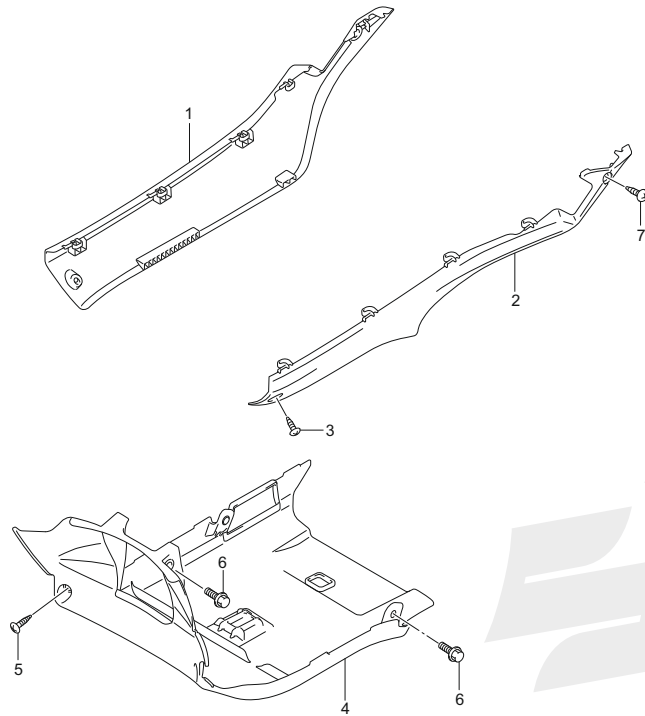


4



438D

438D (D-16) SIDE LEG SHIELD (UZ125NE)



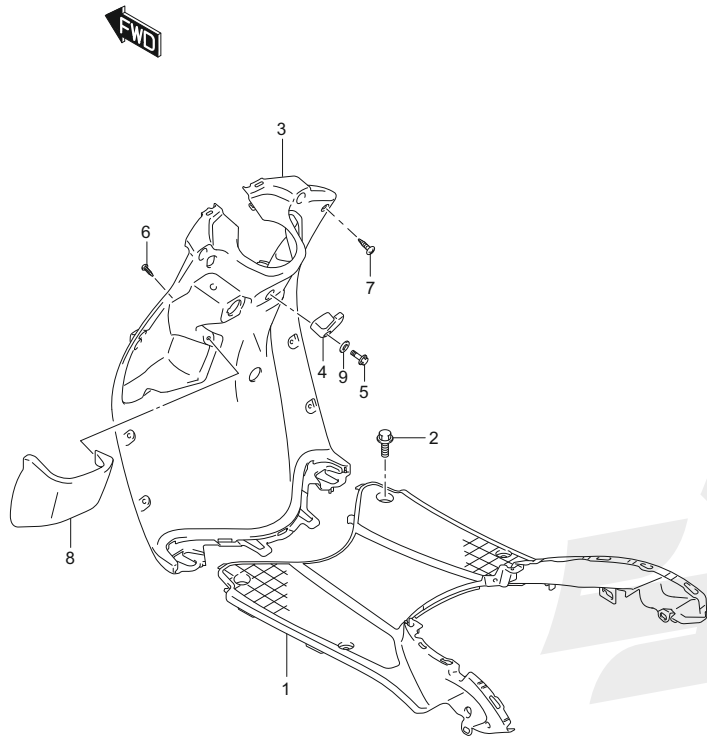
REF NO.	PART NO.	DESCRIPTION	QTY	REMARKS
1-1	48132-08K11-SAB	SHIELD,LEG SIDE,R (SILVER)	1	BODY COLOR:SAB
1-2	48132-08K11-YBA	SHIELD,LEG SIDE,R (BLUE)	1	BODY COLOR:YBA
1-3	48132-08K11-YPA	SHIELD,LEG SIDE,R (WHITE)	1	BODY COLOR:YPA
1-4	48132-08K11-YVB	SHIELD,LEG SIDE,R (BLACK)	1	BODY COLOR:YVB
1-5	48132-08K11-QMV	SHIELD,LEG SIDE,R (RED)	1	BODY COLOR:QMV
1-6	48132-08K11-PGZ	SHIELD,LEG SIDE,R (GRAY)	1	BODY COLOR:PGZ
2-1	48133-08K11-SAB	SHIELD,LEG SIDE,L (SILVER)	1	BODY COLOR:SAB
2-2	48133-08K11-YBA	SHIELD,LEG SIDE,L (BLUE)	1	BODY COLOR:YBA
2-3	48133-08K11-YPA	SHIELD,LEG SIDE,L (WHITE)	1	BODY COLOR:YPA
2-4	48133-08K11-YVB	SHIELD,LEG SIDE,L (BLACK)	1	BODY COLOR:YVB
2-5	48133-08K11-QMV	SHIELD,LEG SIDE,L (RED)	1	BODY COLOR:QMV
2-6	48133-08K11-PGZ	SHIELD,LEG SIDE,L (GRAY)	1	BODY COLOR:PGZ
3	03541-0516A-000	SCREW	2	
4	48131-08K00-291	COVER,UNDER (BLACK)	1	
5	03541-0516A-000	SCREW	2	
6	01550-0612A-000	BOLT	4	
7	47155-30H00-000	SCREW,FRAME COVER REAR	2	



440A

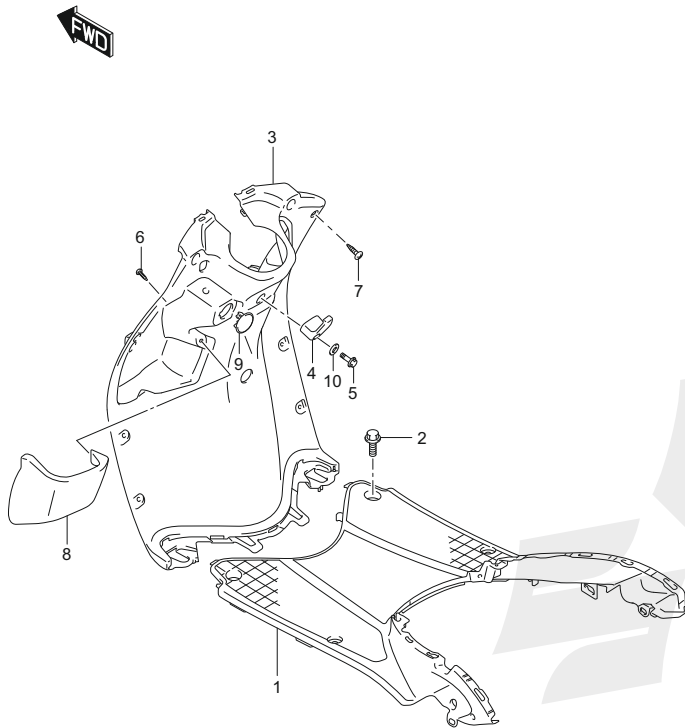
440A (E-2) REAR LEG SHIELD (UZ125NDW)

REF NO.	PART NO.	DESCRIPTION	QTY	REMARKS
1	48121-08K10-U1G	FOOTBOARD,LEG SHIELD (MAROON)	1	
2	09111-06072-000	BOLT (6X17.8)	4	
3	92111-02L20-U1G	COVER,LEG SHIELD (MAROON)	1	
4	92171-08K10-U1G	HOOK,LEG SHIELD (MAROON)	1	
5	92172-44K00-000	BOLT,LEG SHIELD HOOK	1	
6	03541-0516A-000	SCREW	3	
7	03541-0516B-000	SCREW	10	
8	92112-08K10-U1G	RACK,LEG SHIELD (MAROON)	1	
9	08322-0106A-000	WASHER	1	



440B

440B (E-3) REAR LEG SHIELD (UZ125ND,UZ125NH)

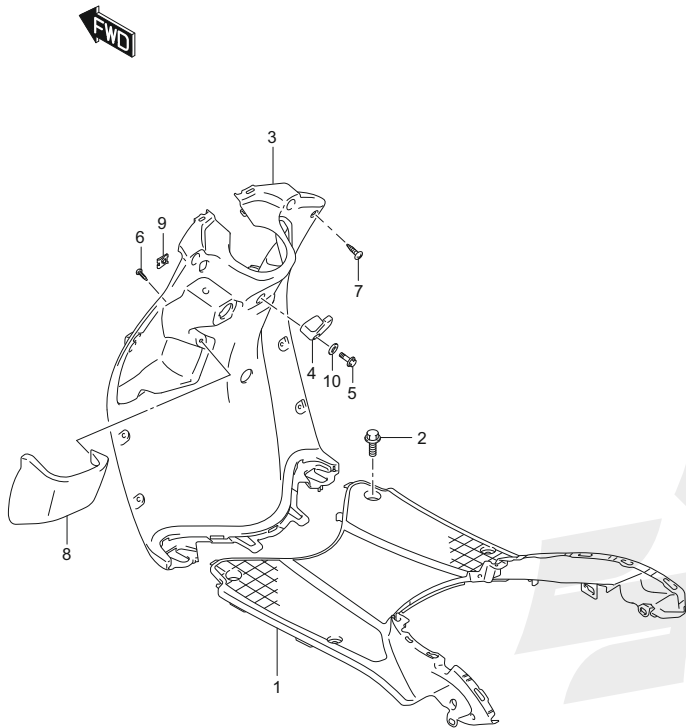


REF NO.	PART NO.	DESCRIPTION	QTY	REMARKS
1	48121-08K00-291	FOOTBOARD,LEG SHIELD (BLACK)	1	
2	09111-06072-000	BOLT (6X17.8)	4	
3	92111-02L00-291	COVER,LEG SHIELD (BLACK)	1	
4	92171-08K00-291	HOOK,LEG SHIELD (BLACK)	1	
5	92172-44K00-000	BOLT,LEG SHIELD HOOK	1	
6	03541-0516A-000	SCREW	3	
7	03541-0516B-000	SCREW	10	
8	92112-08K00-291	RACK,LEG SHIELD (BLACK)	1	
9	92125-39J01-000	CAP,SOCKET HOLE	1	
10	08322-0106A-000	WASHER	1	

440C

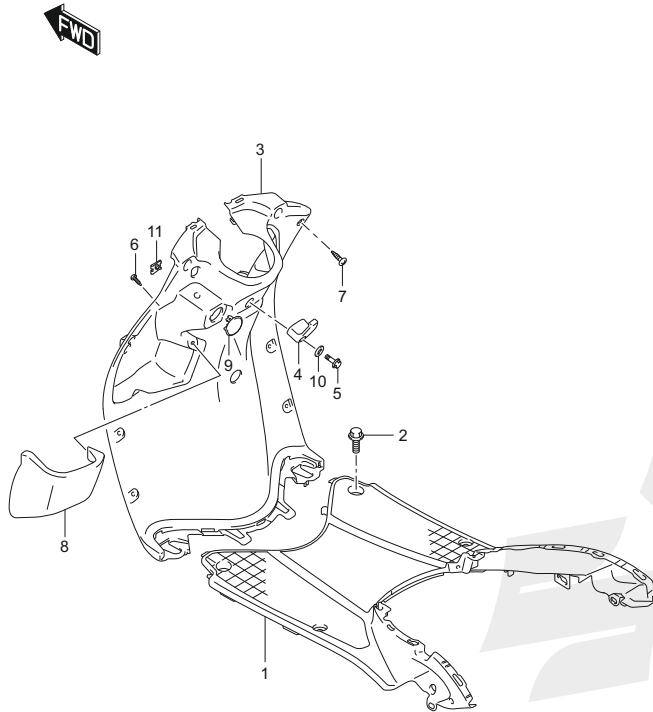
440C (E-4) REAR LEG SHIELD (UZ125NEW)

REF NO.	PART NO.	DESCRIPTION	QTY	REMARKS
1	48121-08K10-U1G	FOOTBOARD,LEG SHIELD (MAROON)	1	
2	09111-06072-000	BOLT (6X17.8)	4	
3	92111-02L30-U1G	COVER,LEG SHIELD (MAROON)	1	
4	92171-08K10-U1G	HOOK,LEG SHIELD (MAROON)	1	
5	92172-44K00-000	BOLT,LEG SHIELD HOOK	1	
6	03541-0516A-000	SCREW	3	
7	03541-0516B-000	SCREW	10	
8	92112-08K10-U1G	RACK,LEG SHIELD (MAROON)	1	
9	47349-34J01-000	NUT,BODY COWL UPPER (M5)	2	
10	08322-0106A-000	WASHER	1	



440D

440D (E-5) REAR LEG SHIELD (UZ125NE)

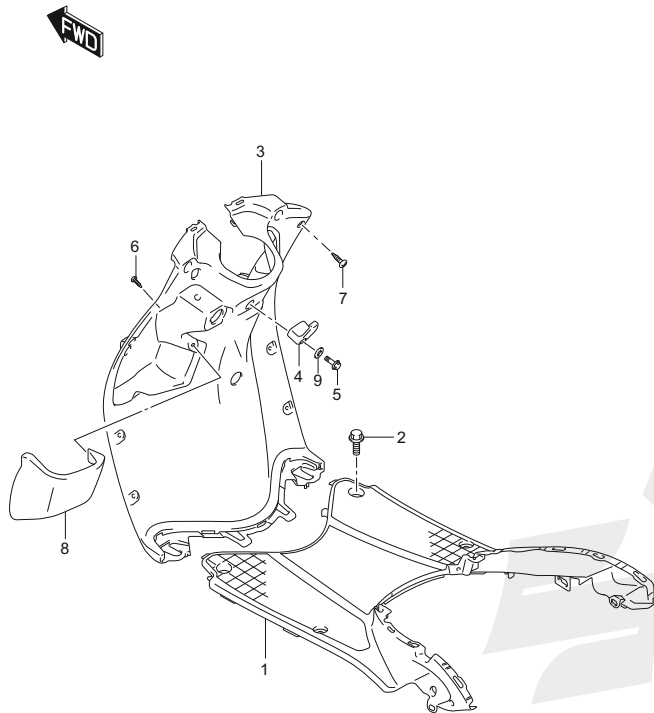


REF NO.	PART NO.	DESCRIPTION	QTY	REMARKS
1	48121-08K00-291	FOOTBOARD,LEG SHIELD (BLACK)	1	
2	09111-06072-000	BOLT (6X17.8)	4	
3	92111-02L10-291	COVER,LEG SHIELD (BLACK)	1	
4	92171-08K00-291	HOOK,LEG SHIELD (BLACK)	1	
5	92172-44K00-000	BOLT,LEG SHIELD HOOK	1	
6	03541-0516A-000	SCREW	3	
7	03541-0516B-000	SCREW	10	
8	92112-08K00-291	RACK,LEG SHIELD (BLACK)	1	
9	92125-39J01-000	CAP,SOCKET HOLE	1	
10	08322-0106A-000	WASHER	1	
11	47349-34J01-000	NUT,BODY COWL UPPER (M5)	2	

440E

440E (E-6) REAR LEG SHIELD (UZ125NDY)

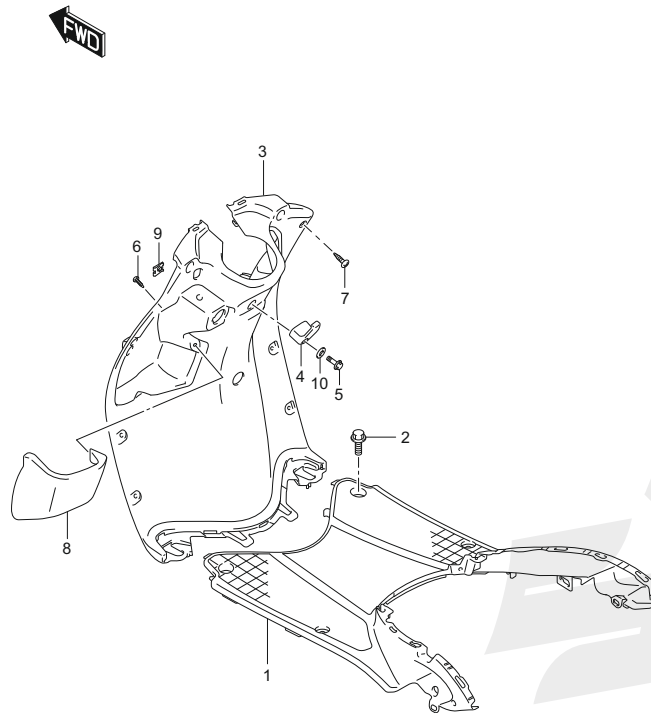
REF NO.	PART NO.	DESCRIPTION	QTY	REMARKS
1-1	48121-08K00-291	FOOTBOARD,LEG SHIELD (BLACK)	1	BODY COLOR:YKV
1-2	48121-08K10-U1G	FOOTBOARD,LEG SHIELD (MAROON)	1	BODY COLOR:YPA,QMV,QTZ
2	09111-06072-000	BOLT (6X17.8)	4	
3-1	92111-02L00-291	COVER,LEG SHIELD (BLACK)	1	BODY COLOR:YKV
3-2	92111-02L20-U1G	COVER,LEG SHIELD (MAROON)	1	BODY COLOR:YPA,QMV,QTZ
4-1	92171-08K00-291	HOOK,LEG SHIELD (BLACK)	1	BODY COLOR:YKV
4-2	92171-08K10-U1G	HOOK,LEG SHIELD (MAROON)	1	BODY COLOR:YPA,QMV,QTZ
5	92172-44K00-000	BOLT,LEG SHIELD HOOK	1	
6	03541-0516A-000	SCREW	3	
7	03541-0516B-000	SCREW	10	
8-1	92112-08K00-291	RACK,LEG SHIELD (BLACK)	1	BODY COLOR:YKV
8-2	92112-08K10-U1G	RACK,LEG SHIELD (MAROON)	1	BODY COLOR:YPA,QMV,QTZ
9	08322-0106A-000	WASHER	1	



4

440F

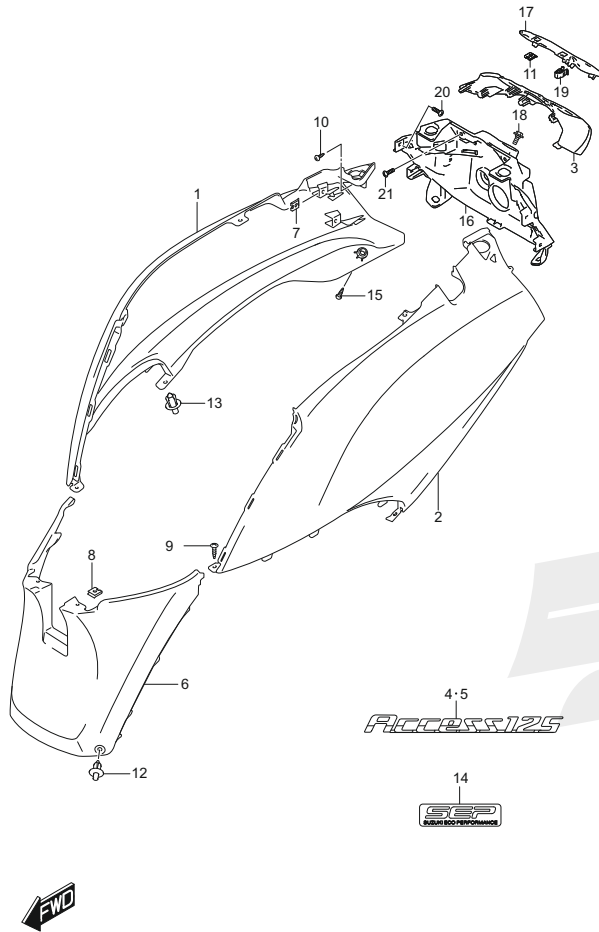
440F (E-7) REAR LEG SHIELD (UZ125NEY)



REF NO.	PART NO.	DESCRIPTION	QTY	REMARKS
1-1	48121-08K00-291	FOOTBOARD,LEG SHIELD (BLACK)	1	BODY COLOR:YKV
1-2	48121-08K10-U1G	FOOTBOARD,LEG SHIELD (MAROON)	1	BODY COLOR:YPA,QMV,QTZ
2	09111-06072-000	BOLT (6X17.8)	4	
3-1	92111-02L10-291	COVER,LEG SHIELD (BLACK)	1	BODY COLOR:YKV
3-2	92111-02L30-U1G	COVER,LEG SHIELD (MAROON)	1	BODY COLOR:YPA,QMV,QTZ
4-1	92171-08K00-291	HOOK,LEG SHIELD (BLACK)	1	BODY COLOR:YKV
4-2	92171-08K10-U1G	HOOK,LEG SHIELD (MAROON)	1	BODY COLOR:YPA,QMV,QTZ
5	92172-44K00-000	BOLT,LEG SHIELD HOOK	1	
6	03541-0516A-000	SCREW	3	
7	03541-0516B-000	SCREW	10	
8-1	92112-08K00-291	RACK,LEG SHIELD (BLACK)	1	BODY COLOR:YKV
8-2	92112-08K10-U1G	RACK,LEG SHIELD (MAROON)	1	BODY COLOR:YPA,QMV,QTZ
9	47349-34J01-000	NUT,BODY COWL UPPER (M5)	2	
10	08322-0106A-000	WASHER	1	

445A

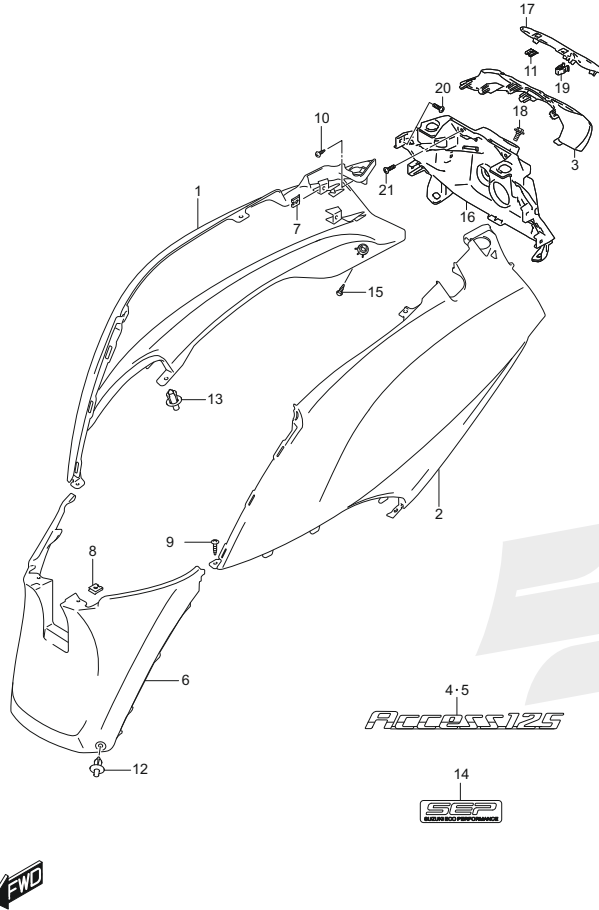
4



445A (E-8) FRAME COVER (UZ125NDW,UZ125NEW)

REF NO.	PART NO.	DESCRIPTION	QTY	REMARKS
1-1	47111-08K04-YKV	COVER,FRAME RH (BLACK)	1	BODY COLOR:YKV
1-2	47111-08K04-YPA	COVER,FRAME RH (WHITE)	1	BODY COLOR:YPA
1-3	47111-08K04-YUA	COVER,FRAME,R (BLUE)	1	BODY COLOR:YUA
1-4	47111-08K04-QS4	COVER,FRAME,R (BRONZE)	1	BODY COLOR:QS4
2-1	47211-02L00-YKV	COVER,FRAME,L (BLACK)	1	BODY COLOR:YKV
2-2	47211-02L00-YPA	COVER,FRAME,L (WHITE)	1	BODY COLOR:YPA
2-3	47211-02L00-YUA	COVER,FRAME,L (BLUE)	1	BODY COLOR:YUA
2-4	47211-02L00-QS4	COVER,FRAME,L (BRONZE)	1	BODY COLOR:QS4
3-1	47311-02L00-YKV	COVER,FRAME CENTER (BLACK)	1	BODY COLOR:YKV
3-2	47311-02L00-YPA	COVER,FRAME CENTER (WHITE)	1	BODY COLOR:YPA
3-3	47311-02L00-YUA	COVER,FRAME CENTER (BLUE)	1	BODY COLOR:YUA
3-4	47311-02L00-QS4	COVER,FRAME CENTER (BRONZE)	1	BODY COLOR:QS4
4	68131-08K00-000	EMBLEM,FRAME COVER,R	1	
5	68141-08K00-000	EMBLEM,FRAME COVER,L	1	
6	47121-08K10-U1G	COVER,FRAME FRONT (MAROON)	1	
7	09148-05060-000	NUT	6	
8	09148-05060-000	NUT	2	
9	03541-0516A-000	SCREW	2	
10	03541-0516A-000	SCREW	2	
11	09148-05060-000	NUT	2	
12	09409-06L07-000	CLIP	2	
13	09409-06L07-000	CLIP	2	
14	68136-39J00-000	EMBLEM,FRAME COVER	1	
15	03541-0520A-000	SCREW	2	
16	47312-02L00-000	BRACKET,FRAME COVER	1	
17-1	47313-02L00-YKV	COVER,FRAME CTR NO.2 (BLACK)	1	BODY COLOR:YKV
17-2	47313-02L00-YPA	COVER,FRAME CTR NO.2 (WHITE)	1	BODY COLOR:YPA
17-3	47313-02L00-YUA	COVER,FRAME CTR NO.2 (BLUE)	1	BODY COLOR:YUA
17-4	47313-02L00-QS4	COVER,FRAME CTR NO.2 (BRONZE)	1	BODY COLOR:QS4
18	09111-06109-000	BOLT (6X14.8)	2	
19	09409-08L09-000	CLIP	4	
20	03541-0516A-000	SCREW	4	
21	03541-0516A-000	SCREW	4	

445B



445B (E-9) FRAME COVER (UZ125ND,UZ125NH)

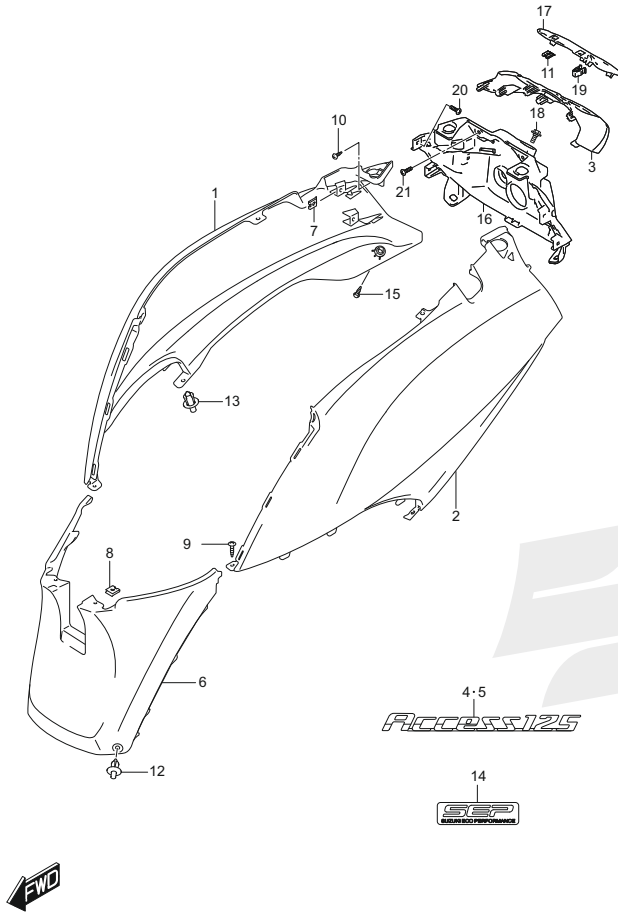
REF NO.	PART NO.	DESCRIPTION	QTY	REMARKS
1-1	47111-08K04-SAB	COVER,FRAME RH (SILVER)	1	BODY COLOR:SAB
1-2	47111-08K04-YBA	COVER,FRAME RH (BLUE)	1	BODY COLOR:YBA
1-3	47111-08K04-YPA	COVER,FRAME RH (WHITE)	1	BODY COLOR:YPA
1-4	47111-08K04-YVB	COVER,FRAME,R (BLACK)	1	BODY COLOR:YVB
1-5	47111-08K04-QMV	COVER,FRAME RH (RED)	1	BODY COLOR:QMV
2-1	47211-02L00-SAB	COVER,FRAME,L (SILVER)	1	BODY COLOR:SAB
2-2	47211-02L00-YBA	COVER,FRAME,L (BLUE)	1	BODY COLOR:YBA
2-3	47211-02L00-YPA	COVER,FRAME,L (WHITE)	1	BODY COLOR:YPA
2-4	47211-02L00-YVB	COVER,FRAME,L (BLACK)	1	BODY COLOR:YVB
2-5	47211-02L00-QMV	COVER,FRAME,L (RED)	1	BODY COLOR:QMV
3-1	47311-02L00-SAB	COVER,FRAME CENTER (SILVER)	1	BODY COLOR:SAB
3-2	47311-02L00-YBA	COVER,FRAME CENTER (BLUE)	1	BODY COLOR:YBA
3-3	47311-02L00-YPA	COVER,FRAME CENTER (WHITE)	1	BODY COLOR:YPA
3-4	47311-02L00-YVB	COVER,FRAME CENTER (BLACK)	1	BODY COLOR:YVB
3-5	47311-02L00-QMV	COVER,FRAME CENTER (RED)	1	BODY COLOR:QMV
4	68131-08K00-000	EMBLEM,FRAME COVER,R	1	
5	68141-08K00-000	EMBLEM,FRAME COVER,L	1	
6	47121-08K00-291	COVER,FRAME FRONT (BLACK)	1	
7	09148-05060-000	NUT	6	
8	09148-05060-000	NUT	2	
9	03541-0516A-000	SCREW	2	
10	03541-0516A-000	SCREW	2	
11	09148-05060-000	NUT	2	
12	09409-06L07-000	CLIP	2	
13	09409-06L07-000	CLIP	2	
14	68136-39J00-000	EMBLEM,FRAME COVER	1	
15	03541-0520A-000	SCREW	2	
16	47312-02L00-000	BRACKET,FRAME COVER	1	

445B

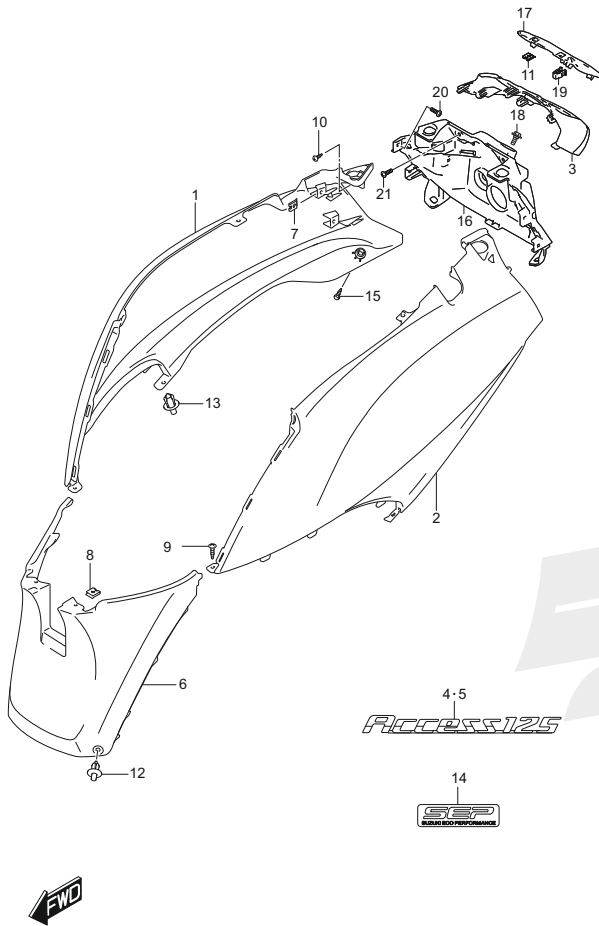
445B (E-10) FRAME COVER (UZ125ND,UZ125NH)

REF NO.	PART NO.	DESCRIPTION	QTY	REMARKS
17-1	47313-02L00-SAB	COVER,FRAME CTR NO.2 (SILVER)	1	BODY COLOR:SAB
17-2	47313-02L00-YBA	COVER,FRAME CTR NO.2 (BLUE)	1	BODY COLOR:YBA
17-3	47313-02L00-YPA	COVER,FRAME CTR NO.2 (WHITE)	1	BODY COLOR:YPA
17-4	47313-02L00-YVB	COVER,FRAME CTR NO.2 (BLACK)	1	BODY COLOR:YVB
17-5	47313-02L00-QMV	COVER,FRAME CTR NO.2 (RED)	1	BODY COLOR:QMV
18	09111-06109-000	BOLT (6X14.8)	2	
19	09409-08L09-000	CLIP	4	
20	03541-0516A-000	SCREW	4	
21	03541-0516A-000	SCREW	4	

4



445C



UZ125M2_P74_445C
FRAME COVER

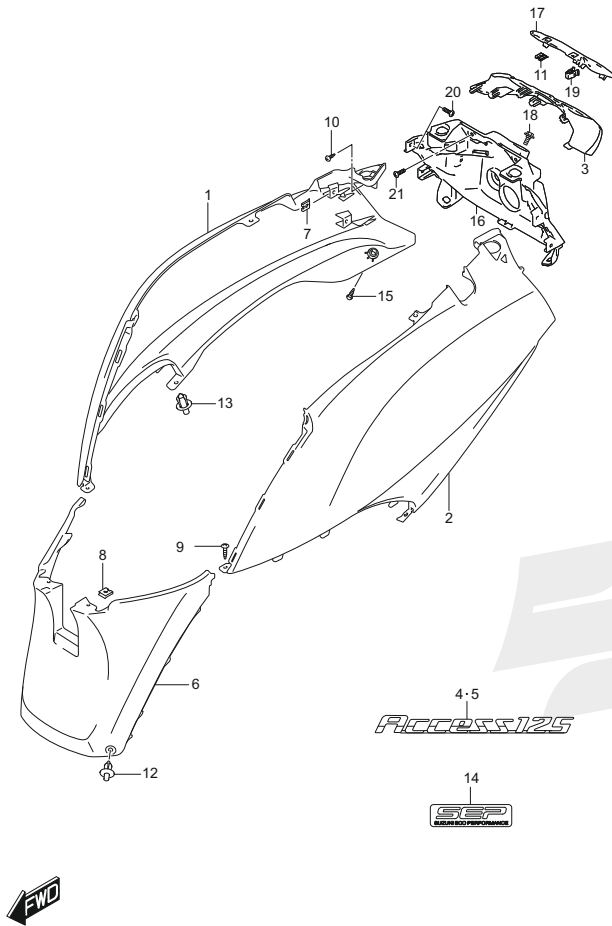
445C (E-11) FRAME COVER (UZ125NDY,UZ125NEY)

REF NO.	PART NO.	DESCRIPTION	QTY	REMARKS
1-1	47111-08K04-YKV	COVER,FRAME RH (BLACK)	1	BODY COLOR:YKV
1-2	47111-08K04-YPA	COVER,FRAME RH (WHITE)	1	BODY COLOR:YPA
1-3	47111-08K04-QMV	COVER,FRAME RH (RED)	1	BODY COLOR:QMV
1-4	47111-08K04-QTZ	COVER,FRAME RH (BLUE)	1	BODY COLOR:QTZ
2-1	47211-02L00-YKV	COVER,FRAME,L (BLACK)	1	BODY COLOR:YKV
2-2	47211-02L00-YPA	COVER,FRAME,L (WHITE)	1	BODY COLOR:YPA
2-3	47211-02L00-QMV	COVER,FRAME,L (RED)	1	BODY COLOR:QMV
2-4	47211-02L00-QTZ	COVER,FRAME,L (BLUE)	1	BODY COLOR:QTZ
3-1	47311-02L00-YKV	COVER,FRAME CENTER (BLACK)	1	BODY COLOR:YKV
3-2	47311-02L00-YPA	COVER,FRAME CENTER (WHITE)	1	BODY COLOR:YPA
3-3	47311-02L00-QMV	COVER,FRAME CENTER (RED)	1	BODY COLOR:QMV
3-4	47311-02L00-QTZ	COVER,FRAME CENTER (BLUE)	1	BODY COLOR:QTZ
4	68131-08K00-000	EMBLEM,FRAME COVER,R	1	
5	68141-08K00-000	EMBLEM,FRAME COVER,L	1	
6-1	47121-08K00-291	COVER,FRAME FRONT (BLACK)	1	BODY COLOR:YKV
6-2	47121-08K10-U1G	COVER,FRAME FRONT (MAROON)	1	BODY COLOR:YPA,QMV,QTZ
7	09148-05060-000	NUT	6	
8	09148-05060-000	NUT	2	
9	03541-0516A-000	SCREW	2	
10	03541-0516A-000	SCREW	2	
11	09148-05060-000	NUT	2	
12	09409-06L07-000	CLIP	2	
13	09409-06L07-000	CLIP	2	
14	68136-39J00-000	EMBLEM,FRAME COVER	1	
15	03541-0520A-000	SCREW	2	
16	47312-02L00-000	BRACKET,FRAME COVER	1	
17-1	47313-02L00-YKV	COVER,FRAME CTR NO.2 (BLACK)	1	BODY COLOR:YKV
17-2	47313-02L00-YPA	COVER,FRAME CTR NO.2 (WHITE)	1	BODY COLOR:YPA
17-3	47313-02L00-QMV	COVER,FRAME CTR NO.2 (RED)	1	BODY COLOR:QMV
17-4	47313-02L00-QTZ	COVER,FRAME CTR NO.2 (BLUE)	1	BODY COLOR:QTZ
18	09111-06109-000	BOLT (6X14.8)	2	
19	09409-08L09-000	CLIP	4	
20	03541-0516A-000	SCREW	4	
21	03541-0516A-000	SCREW	4	

445D

445D (E-12) FRAME COVER (UZ125NE)

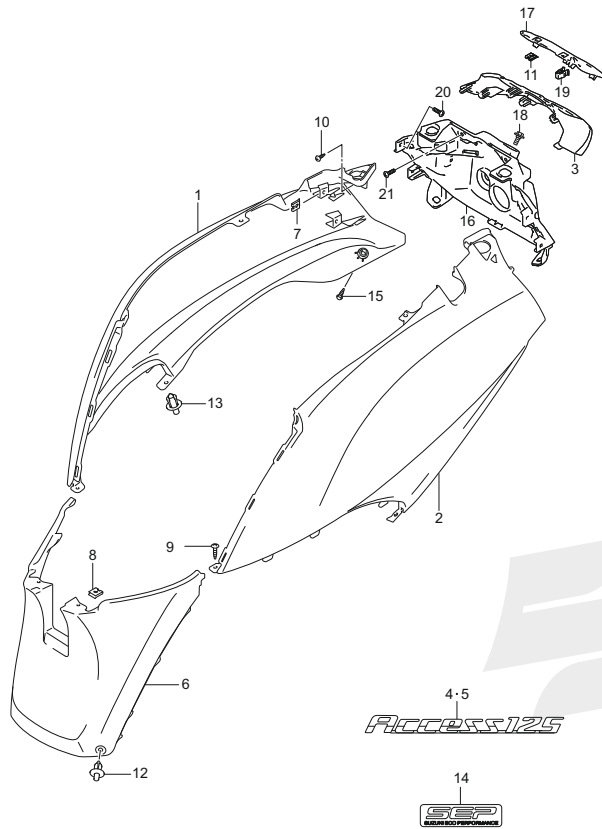
4



REF NO.	PART NO.	DESCRIPTION	QTY	REMARKS
1-1	47111-08K04-SAB	COVER,FRAME RH (SILVER)	1	BODY COLOR:SAB
1-2	47111-08K04-YBA	COVER,FRAME RH (BLUE)	1	BODY COLOR:YBA
1-3	47111-08K04-YPA	COVER,FRAME RH (WHITE)	1	BODY COLOR:YPA
1-4	47111-08K04-YVB	COVER,FRAME,R (BLACK)	1	BODY COLOR:YVB
1-5	47111-08K04-QMV	COVER,FRAME RH (RED)	1	BODY COLOR:QMV
1-6	47111-08K04-PGZ	COVER,FRAME RH (GRAY)	1	BODY COLOR:PGZ
2-1	47211-02L00-SAB	COVER,FRAME,L (SILVER)	1	BODY COLOR:SAB
2-2	47211-02L00-YBA	COVER,FRAME,L (BLUE)	1	BODY COLOR:YBA
2-3	47211-02L00-YPA	COVER,FRAME,L (WHITE)	1	BODY COLOR:YPA
2-4	47211-02L00-YVB	COVER,FRAME,L (BLACK)	1	BODY COLOR:YVB
2-5	47211-02L00-QMV	COVER,FRAME,L (RED)	1	BODY COLOR:QMV
2-6	47211-02L00-PGZ	COVER,FRAME,L (GRAY)	1	BODY COLOR:PGZ
3-1	47311-02L00-SAB	COVER,FRAME CENTER (SILVER)	1	BODY COLOR:SAB
3-2	47311-02L00-YBA	COVER,FRAME CENTER (BLUE)	1	BODY COLOR:YBA
3-3	47311-02L00-YPA	COVER,FRAME CENTER (WHITE)	1	BODY COLOR:YPA
3-4	47311-02L00-YVB	COVER,FRAME CENTER (BLACK)	1	BODY COLOR:YVB
3-5	47311-02L00-QMV	COVER,FRAME CENTER (RED)	1	BODY COLOR:QMV
3-6	47311-02L00-PGZ	COVER,FRAME CENTER (GRAY)	1	BODY COLOR:PGZ
4	68131-08K00-000	EMBLEM,FRAME COVER,R	1	
5	68141-08K00-000	EMBLEM,FRAME COVER,L	1	
6	47121-08K00-291	COVER,FRAME FRONT (BLACK)	1	
7	09148-05060-000	NUT	6	
8	09148-05060-000	NUT	2	
9	03541-0516A-000	SCREW	2	
10	03541-0516A-000	SCREW	2	
11	09148-05060-000	NUT	2	
12	09409-06L07-000	CLIP	2	
13	09409-06L07-000	CLIP	2	
14	68136-39J00-000	EMBLEM,FRAME COVER	1	
15	03541-0520A-000	SCREW	2	
16	47312-02L00-000	BRACKET,FRAME COVER	1	

445D

445D (E-13) FRAME COVER (UZ125NE)

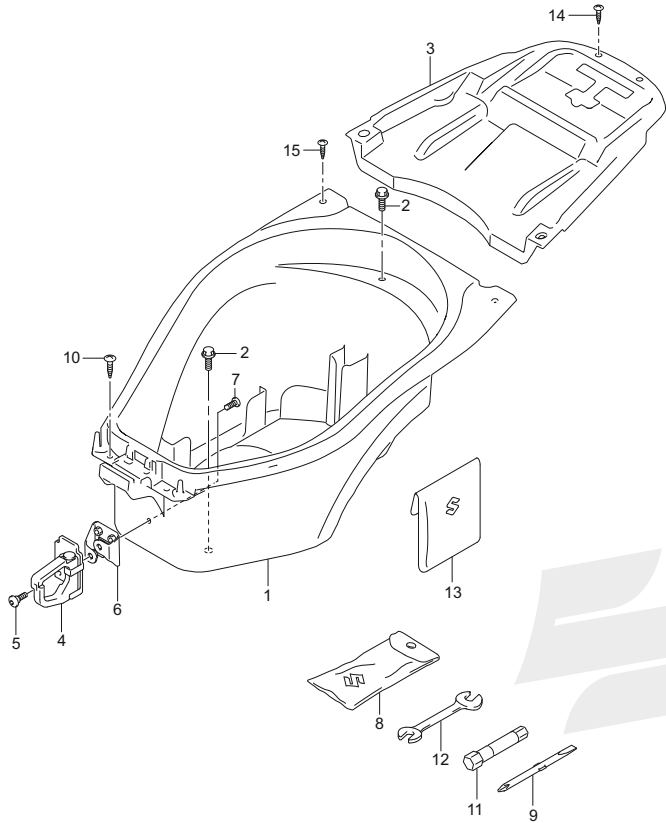


REF NO.	PART NO.	DESCRIPTION	QTY	REMARKS
17-1	47313-02L00-SAB	COVER,FRAME CTR NO.2 (SILVER)	1	BODY COLOR:SAB
17-2	47313-02L00-YBA	COVER,FRAME CTR NO.2 (BLUE)	1	BODY COLOR:YBA
17-3	47313-02L00-YPA	COVER,FRAME CTR NO.2 (WHITE)	1	BODY COLOR:YPA
17-4	47313-02L00-YVB	COVER,FRAME CTR NO.2 (BLACK)	1	BODY COLOR:YVB
17-5	47313-02L00-QMV	COVER,FRAME CTR NO.2 (RED)	1	BODY COLOR:QMV
17-6	47313-02L00-PGZ	COVER,FRAME CTR NO.2 (GRAY)	1	BODY COLOR:PGZ
18	09111-06109-000	BOLT (6X14.8)	2	
19	09409-08L09-000	CLIP	4	
20	03541-0516A-000	SCREW	4	
21	03541-0516A-000	SCREW	4	

456A

456A (E-14) HELMET BOX

4

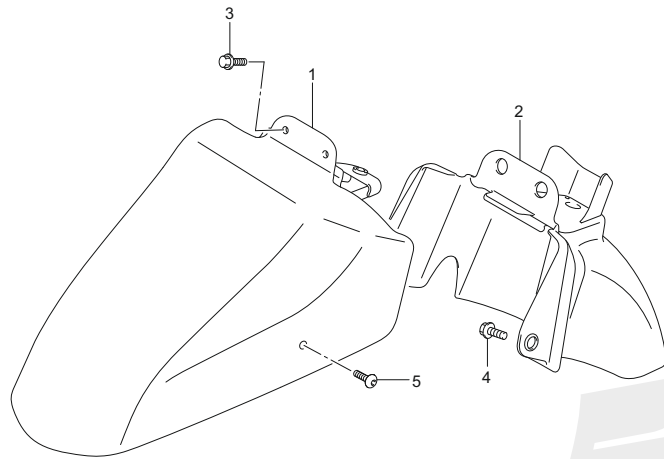


REF NO.	PART NO.	DESCRIPTION	QTY	REMARKS
1	92211-02L00-000	BOX,HELMET	1	
2	01550-0612A-000	BOLT	3	
3	92212-02L10-000	COVER,HELMET BOX	1	
4	92170-33G60-291	HOOK ASSY,FRAME COVER (BLACK)	1	
5	92178-33G50-000	SCREW,FRAME COVER HOOK	2	
6	92180-08K01-000	BRACKET,FRAME COVER HOOK	1	
7	02142-0512A-000	SCREW	3	
8	96511-02L00-000	BAG,TOOL	1	
9	96412-33G50-000	DRIVER,	1	
10	03541-0516A-000	SCREW	2	
11	96414-33G70-000	SPANNER,BOX (16)	1	
12	96513-23J40-000	SPANNER,OPEN (10X14)	1	
13	94990-28G22-000	SET,FIRST AID	1	
14	03541-0520A-000	SCREW	2	
15	03541-0520A-000	SCREW	2	



460A

460A (E-15) FRONT FENDER (UZ125NE)



REF NO.	PART NO.	DESCRIPTION	QTY	REMARKS
1-1	53110-02L10-SAB	FENDER,FRONT FRONT (SILVER)	1	BODY COLOR:SAB
1-2	53110-02L10-YBA	FENDER,FRONT FRONT (BLUE)	1	BODY COLOR:YBA
1-3	53110-02L10-YPA	FENDER,FRONT FRONT (WHITE)	1	BODY COLOR:YPA
1-4	53110-02L10-YVB	FENDER,FRONT FRONT (BLACK)	1	BODY COLOR:YVB
1-5	53110-02L10-QMV	FENDER,FRONT FRONT (RED)	1	BODY COLOR:QMV
1-6	53110-02L10-PGZ	FENDER,FRONT FRONT (GRAY)	1	BODY COLOR:PGZ
2	53112-08K00-291	FENDER,FRONT REAR (BLACK)	1	
3	01550-0616A-000	BOLT (6X16)	3	
4	01550-0612A-000	BOLT	2	
5	09139-06205-000	SCREW,FRONT FENDER	2	

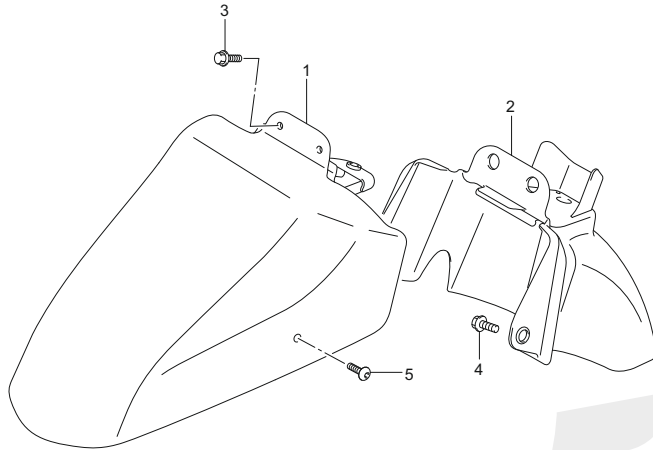


460B

460B (E-16) FRONT FENDER (UZ125ND,UZ125NH)

REF NO.	PART NO.	DESCRIPTION	QTY	REMARKS
1-1	53110-02L10-SAB	FENDER,FRONT FRONT (SILVER)	1	BODY COLOR:SAB
1-2	53110-02L10-YBA	FENDER,FRONT FRONT (BLUE)	1	BODY COLOR:YBA
1-3	53110-02L10-YPA	FENDER,FRONT FRONT (WHITE)	1	BODY COLOR:YPA
1-4	53110-02L10-YVB	FENDER,FRONT FRONT (BLACK)	1	BODY COLOR:YVB
1-5	53110-02L10-QMV	FENDER,FRONT FRONT (RED)	1	BODY COLOR:QMV
2	53112-08K00-291	FENDER,FRONT REAR (BLACK)	1	
3	01550-0616A-000	BOLT (6X16)	3	
4	01550-0612A-000	BOLT	2	
5	09139-06205-000	SCREW,FRONT FENDER	2	

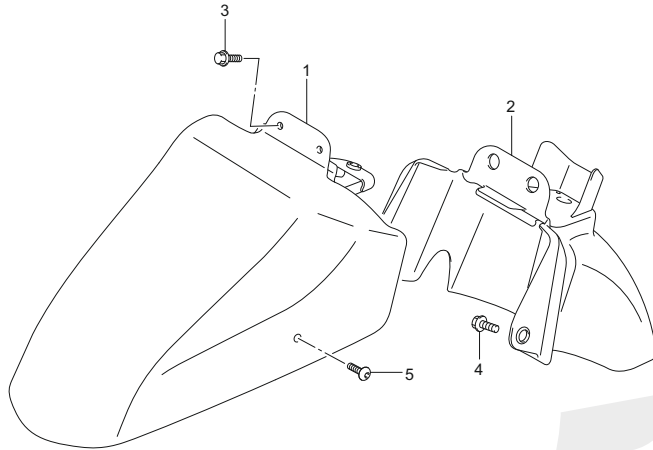
4



460C

460C (F-2) FRONT FENDER (UZ125NDY,UZ125NEY)

REF NO.	PART NO.	DESCRIPTION	QTY	REMARKS
1-1	53110-02L10-YKV	FENDER,FRONT FRONT (BLACK)	1	BODY COLOR:YKV
1-2	53110-02L10-YPA	FENDER,FRONT FRONT (WHITE)	1	BODY COLOR:YPA
1-3	53110-02L10-QMV	FENDER,FRONT FRONT (RED)	1	BODY COLOR:QMV
1-4	53110-02L10-QTZ	FENDER,FRONT FRONT (BLUE)	1	BODY COLOR:QTZ
2	53112-08K00-291	FENDER,FRONT REAR (BLACK)	1	
3	01550-0616A-000	BOLT (6X16)	3	
4	01550-0612A-000	BOLT	2	
5	09139-06205-000	SCREW,FRONT FENDER	2	



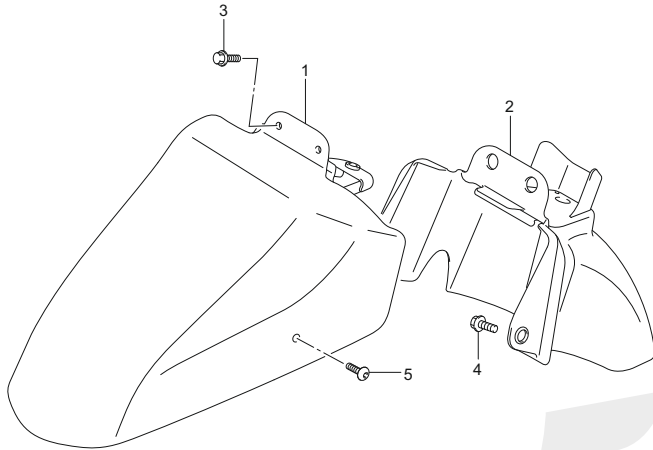
4



460D

460D (F-3) FRONT FENDER (UZ125NDW,UZ125NEW)

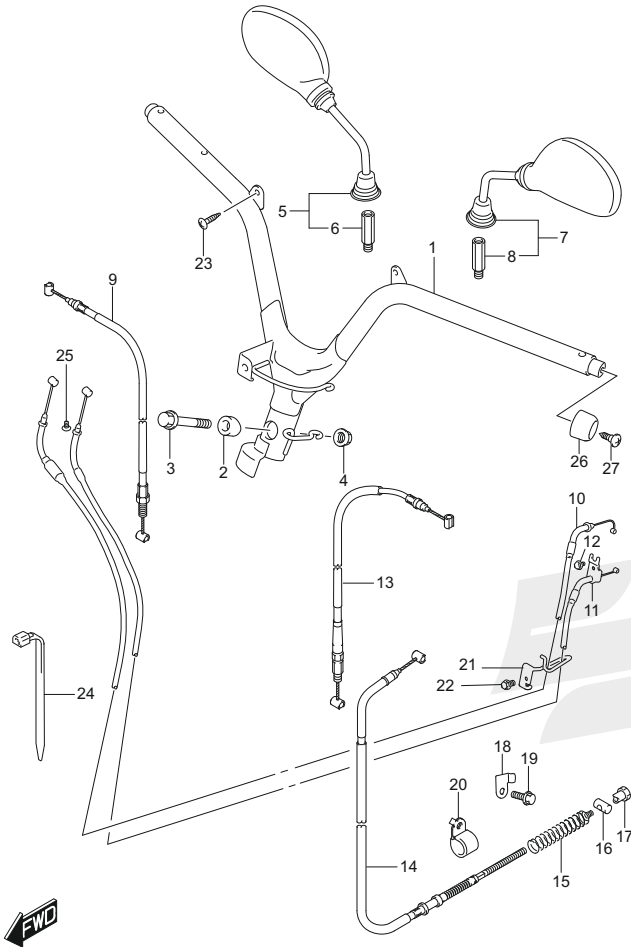
REF NO.	PART NO.	DESCRIPTION	QTY	REMARKS
1-1	53110-02L10-YKV	FENDER,FRONT FRONT (BLACK)	1	BODY COLOR:YKV
1-2	53110-02L10-YPA	FENDER,FRONT FRONT (WHITE)	1	BODY COLOR:YPA
1-3	53110-02L10-YUA	FENDER,FRONT FRONT (BLUE)	1	BODY COLOR:YUA
1-4	53110-02L10-QS4	FENDER,FRONT FRONT (BRONZE)	1	BODY COLOR:QS4
2	53112-08K00-291	FENDER,FRONT REAR (BLACK)	1	
3	01550-0616A-000	BOLT (6X16)	3	
4	01550-0612A-000	BOLT	2	
5	09139-06205-000	SCREW,FRONT FENDER	2	



4



462A



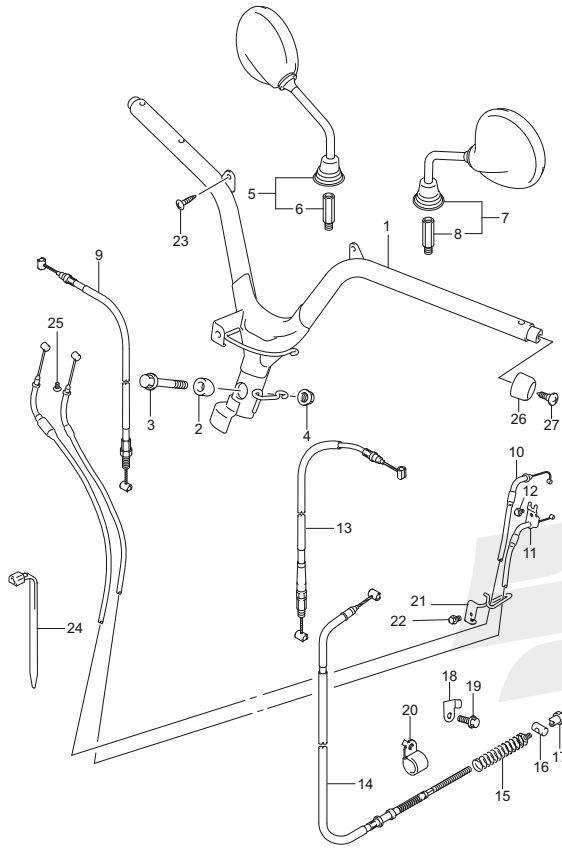
462A (F-4) HANDLEBAR (UZ125NE)

REF NO.	PART NO.	DESCRIPTION	QTY	REMARKS
1	56110-02L00-000	HANDLEBAR	1	
2	51358-09G00-000	STOPPER,HANDLEBAR	1	
3	09103-10126-000	BOLT (10X48)	1	
4	64147-33G10-000	NUT,FRONT HUB	1	
5	56500-28GA0-000	MIRROR ASSY,REAR VIEW,R	1	
6	56533-33G60-000	.ADAPTER,RR VIEW MIRROR	1	
7	56600-28GA0-000	MIRROR ASSY,REAR VIEW,L	1	
8	56533-33G60-000	.ADAPTER,RR VIEW MIRROR	1	
9	58110-44K01-000	CABLE,FRONT BRAKE	1	
10	58300-02L30-000	CABLE ASSY,THROTTLE NO.1	1	
11	58300-02L20-000	CABLE ASSY,THROTTLE NO.2	1	
12	01550-0510A-000	BOLT	1	
13	58510-08K30-000	CABLE,REAR BRAKE NO.1	1	
14	58510-08K40-000	CABLE,REAR BRAKE NO.2	1	
15	58562-08K00-000	SPRING,REAR BRAKE CABLE	1	
16	09209-11002-000	PIN (11X18)	1	
17	09150-06010-000	NUT	1	
18	58575-39J00-000	PLATE,REAR BRAKE CABLE	1	
19	01547-0610A-000	BOLT	1	
20	58577-39J10-000	CLAMP,RR BK CABLE CRKC FR	1	
21	58620-02L10-000	GUIDE,CABLE	1	
22	01547-0610A-000	BOLT	1	
23	03541-0520A-000	SCREW	2	
24	58623-08K00-000	CLAMP (L:235)	1	
25	02142-0510B-000	SCREW	1	
26	57216-02L01-000	CAP,GRIP END	2	
27	09139-06165-000	SCREW (6X16)	2	

462B

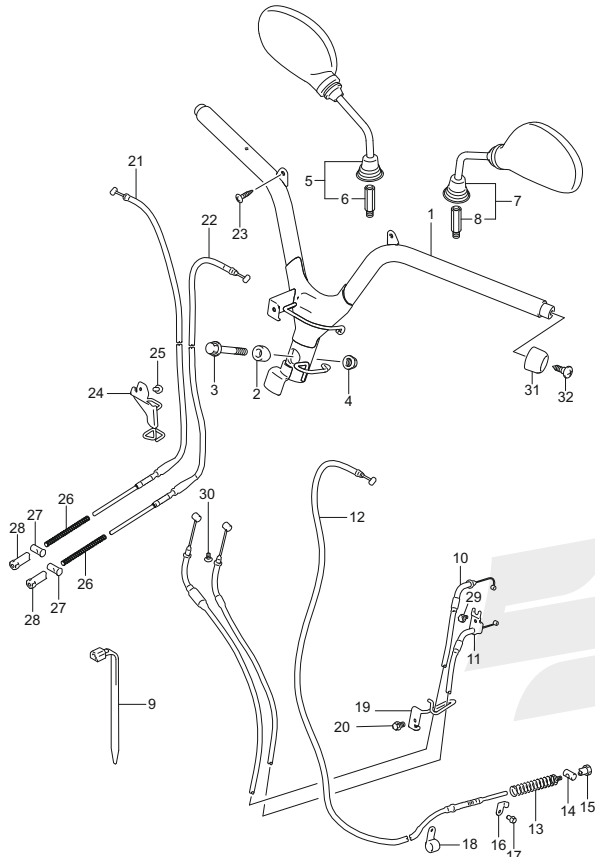
462B (F-5) HANDLEBAR (UZ125NEW,UZ125NEY)

4



REF NO.	PART NO.	DESCRIPTION	QTY	REMARKS
1	56110-02L00-000	HANDLEBAR	1	
2	51358-09G00-000	STOPPER,HANDLEBAR	1	
3	09103-10126-000	BOLT (10X48)	1	
4	64147-33G10-000	NUT,FRONT HUB	1	
5	56500-33GM0-000	MIRROR ASSY,REAR VIEW RH	1	
6	56533-33G60-000	.ADAPTER,RR VIEW MIRROR	1	
7	56600-33GM0-000	MIRROR ASSY,REAR VIEW LH	1	
8	56533-33G60-000	.ADAPTER,RR VIEW MIRROR	1	
9	58110-44K01-000	CABLE,FRONT BRAKE	1	
10	58300-02L30-000	CABLE ASSY,THROTTLE NO.1	1	
11	58300-02L20-000	CABLE ASSY,THROTTLE NO.2	1	
12	01550-0510A-000	BOLT	1	
13	58510-08K30-000	CABLE,REAR BRAKE NO.1	1	
14	58510-08K40-000	CABLE,REAR BRAKE NO.2	1	
15	58562-08K00-000	SPRING,REAR BRAKE CABLE	1	
16	09209-11002-000	PIN (11X18)	1	
17	09150-06010-000	NUT	1	
18	58575-39J00-000	PLATE,REAR BRAKE CABLE	1	
19	01547-0610A-000	BOLT	1	
20	58577-39J10-000	CLAMP,RR BK CABLE CRKC FR	1	
21	58620-02L10-000	GUIDE,CABLE	1	
22	01547-0610A-000	BOLT	1	
23	03541-0520A-000	SCREW	2	
24	58623-08K00-000	CLAMP (L:235)	1	
25	02142-0510B-000	SCREW	1	
26	57216-02L01-000	CAP,GRIP END	2	
27	09139-06165-000	SCREW (6X16)	2	

462C



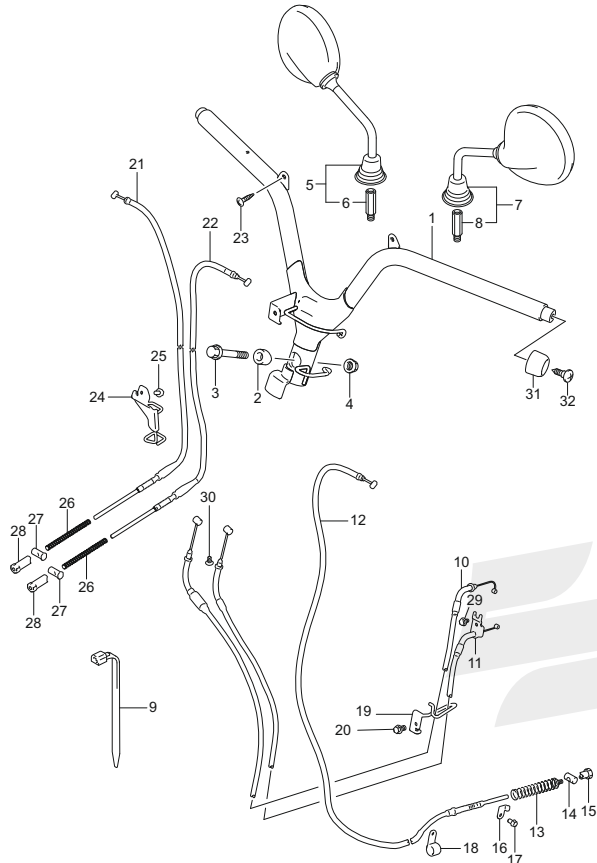
462C (F-6) HANDLEBAR (UZ125ND,UZ125NH)

REF NO.	PART NO.	DESCRIPTION	QTY	REMARKS
1	56110-02L10-000	HANDLEBAR	1	
2	51358-09G00-000	STOPPER,HANDLEBAR	1	
3	09103-10126-000	BOLT (10X48)	1	
4	64147-33G10-000	NUT,FRONT HUB	1	
5	56500-28GA0-000	MIRROR ASSY,REAR VIEW,R	1	
6	56533-33G60-000	.ADAPTER,RR VIEW MIRROR	1	
7	56600-28GA0-000	MIRROR ASSY,REAR VIEW,L	1	
8	56533-33G60-000	.ADAPTER,RR VIEW MIRROR	1	
9	58623-08K00-000	CLAMP (L:235)	1	
10	58300-02L30-000	CABLE ASSY,THROTTLE NO.1	1	
11	58300-02L20-000	CABLE ASSY,THROTTLE NO.2	1	
12	58510-08K50-000	CABLE,REAR BRAKE	1	
13	58562-08K00-000	SPRING,REAR BRAKE CABLE	1	
14	09209-11002-000	PIN (11X18)	1	
15	09150-06010-000	NUT	1	
16	58575-39J00-000	PLATE,REAR BRAKE CABLE	1	
17	01547-0610A-000	BOLT	1	
18	58577-39J10-000	CLAMP,RR BK CABLE CRKC FR	1	
19	58620-02L10-000	GUIDE,CABLE	1	
20	01547-0610A-000	BOLT	1	
21	58110-08K40-000	CABLE,FRONT BRAKE NO.1	1	
22	58110-08K50-000	CABLE,FRONT BRAKE NO.2	1	
23	03541-0520A-000	SCREW	2	
24	58620-08K30-000	GUIDE,FRONT BRAKE CABLE	1	
25	01550-0610A-000	BOLT	1	
26	58162-08K00-000	SPRING,FRONT BRAKE CABLE	2	
27	58164-08K00-000	PIN,FRONT BRAKE CABLE	2	
28	58165-08K00-000	NUT,FR BRAKE CABLE ADJUSTER	2	
29	01550-0510A-000	BOLT	1	
30	02142-0510B-000	SCREW	1	
31	57216-02L01-000	CAP,GRIP END	2	
32	09139-06165-000	SCREW (6X16)	2	

462D

462D (F-7) HANDLEBAR (UZ125NDW,UZ125NDY)

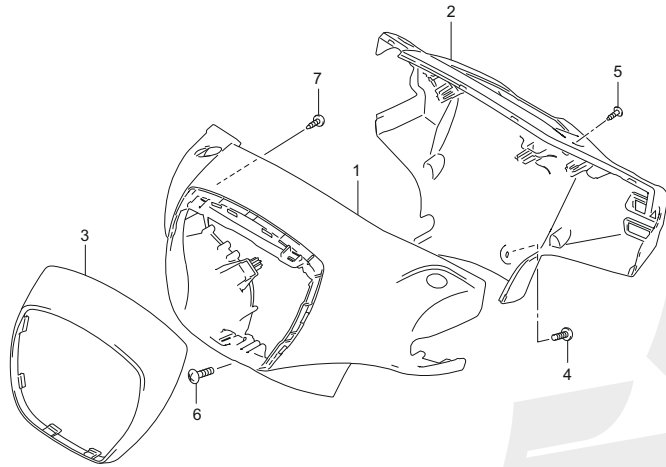
4



REF NO.	PART NO.	DESCRIPTION	QTY	REMARKS
1	56110-02L10-000	HANDLEBAR	1	
2	51358-09G00-000	STOPPER,HANDLEBAR	1	
3	09103-10126-000	BOLT (10X48)	1	
4	64147-33G10-000	NUT,FRONT HUB	1	
5	56500-33GM0-000	MIRROR ASSY,REAR VIEW RH	1	
6	56533-33G60-000	.ADAPTER,RR VIEW MIRROR	1	
7	56600-33GM0-000	MIRROR ASSY,REAR VIEW LH	1	
8	56533-33G60-000	.ADAPTER,RR VIEW MIRROR	1	
9	58623-08K00-000	CLAMP (L:235)	1	
10	58300-02L30-000	CABLE ASSY,THROTTLE NO.1	1	
11	58300-02L20-000	CABLE ASSY,THROTTLE NO.2	1	
12	58510-08K50-000	CABLE,REAR BRAKE	1	
13	58562-08K00-000	SPRING,REAR BRAKE CABLE	1	
14	09209-11002-000	PIN (11X18)	1	
15	09150-06010-000	NUT	1	
16	58575-39J00-000	PLATE,REAR BRAKE CABLE	1	
17	01547-0610A-000	BOLT	1	
18	58577-39J10-000	CLAMP,RR BK CABLE CRKC FR	1	
19	58620-02L10-000	GUIDE,CABLE	1	
20	01547-0610A-000	BOLT	1	
21	58110-08K40-000	CABLE,FRONT BRAKE NO.1	1	
22	58110-08K50-000	CABLE,FRONT BRAKE NO.2	1	
23	03541-0520A-000	SCREW	2	
24	58620-08K30-000	GUIDE,FRONT BRAKE CABLE	1	
25	01550-0610A-000	BOLT	1	
26	58162-08K00-000	SPRING,FRONT BRAKE CABLE	2	
27	58164-08K00-000	PIN,FRONT BRAKE CABLE	2	
28	58165-08K00-000	NUT,FR BRAKE CABLE ADJUSTER	2	
29	01550-0510A-000	BOLT	1	
30	02142-0510B-000	SCREW	1	
31	57216-02L01-000	CAP,GRIP END	2	
32	09139-06165-000	SCREW (6X16)	2	

463A

463A (F-8) HANDLE COVER (UZ125NE)



REF NO.	PART NO.	DESCRIPTION	QTY	REMARKS
1-1	56311-02L01-SAB	COVER,HANDLE FRONT (SILVER)	1	BODY COLOR:SAB
1-2	56311-02L01-YBA	COVER,HANDLE FRONT (BLUE)	1	BODY COLOR:YBA
1-3	56311-02L01-YPA	COVER,HANDLE FRONT (WHITE)	1	BODY COLOR:YPA
1-4	56311-02L01-YVB	COVER,HANDLE FRONT (BLACK)	1	BODY COLOR:YVB
1-5	56311-02L01-QMV	COVER,HANDLE FRONT (RED)	1	BODY COLOR:QMV
1-6	56311-02L01-PGZ	COVER,HANDLE FRONT (GRAY)	1	BODY COLOR:PGZ
2	56321-02L00-291	COVER,HANDLE REAR (BLACK)	1	
3	56312-02L00-000	COVER,HANDLE FR UPR	1	
4	02142-0512B-000	SCREW	1	
5	03541-0416B-000	SCREW	4	
6	02142-0512A-000	SCREW	1	
7	03541-0416A-000	SCREW	2	

4

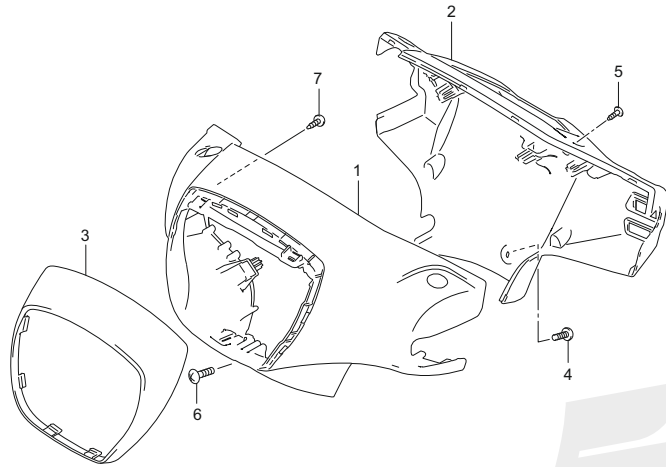


463B

463B (F-9) HANDLE COVER (UZ125NDY,UZ125NEY)

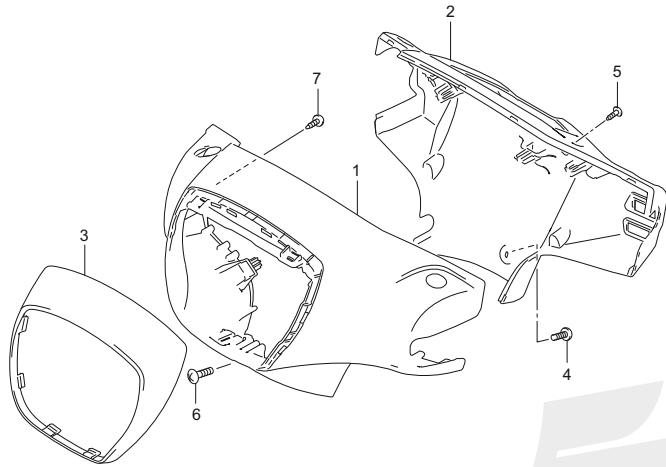
REF NO.	PART NO.	DESCRIPTION	QTY	REMARKS
1-1	56311-02L01-YKV	COVER,HANDLE FRONT (BLACK)	1	BODY COLOR:YKV
1-2	56311-02L01-YPA	COVER,HANDLE FRONT (WHITE)	1	BODY COLOR:YPA
1-3	56311-02L01-QMV	COVER,HANDLE FRONT (RED)	1	BODY COLOR:QMV
1-4	56311-02L01-QTZ	COVER,HANDLE FRONT (BLUE)	1	BODY COLOR:QTZ
2-1	56321-02L00-291	COVER,HANDLE REAR (BLACK)	1	BODY COLOR:YKV
2-2	56321-02L10-U1G	COVER,HANDLE REAR (MAROON)	1	BODY COLOR:YPA,QMV,QTZ
3	56312-02L00-000	COVER,HANDLE FR UPR	1	
4	02142-0512B-000	SCREW	1	
5	03541-0416B-000	SCREW	4	
6	02142-0512A-000	SCREW	1	
7	03541-0416A-000	SCREW	2	

4



463C

463C (F-10) HANDLE COVER (UZ125NDW,UZ125NEW)



REF NO.	PART NO.	DESCRIPTION	QTY	REMARKS
1-1	56311-02L01-YKV	COVER,HANDLE FRONT (BLACK)	1	BODY COLOR:YKV
1-2	56311-02L01-YPA	COVER,HANDLE FRONT (WHITE)	1	BODY COLOR:YPA
1-3	56311-02L01-YUA	COVER,HANDLE FRONT (BLUE)	1	BODY COLOR:YUA
1-4	56311-02L01-QS4	COVER,HANDLE FRONT (BRONZE)	1	BODY COLOR:QS4
2	56321-02L30-U1G	COVER,HANDLE REAR (MAROON)	1	
3	56312-02L00-000	COVER,HANDLE FR UPR	1	
4	02142-0512B-000	SCREW	1	
5	03541-0416B-000	SCREW	4	
6	02142-0512A-000	SCREW	1	
7	03541-0416A-000	SCREW	2	

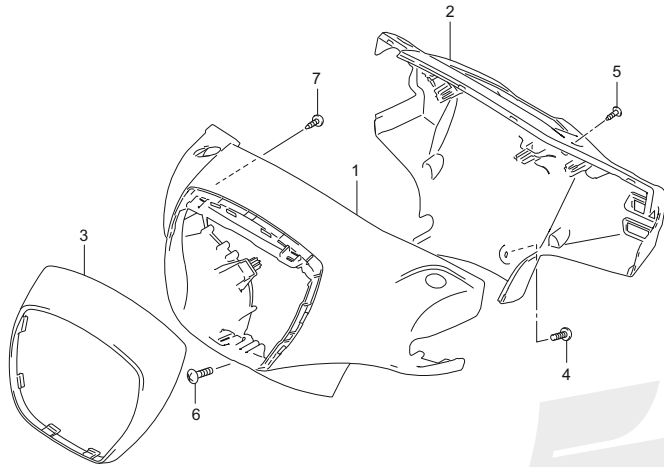


463D

463D (F-11) HANDLE COVER (UZ125ND,UZ125NH)

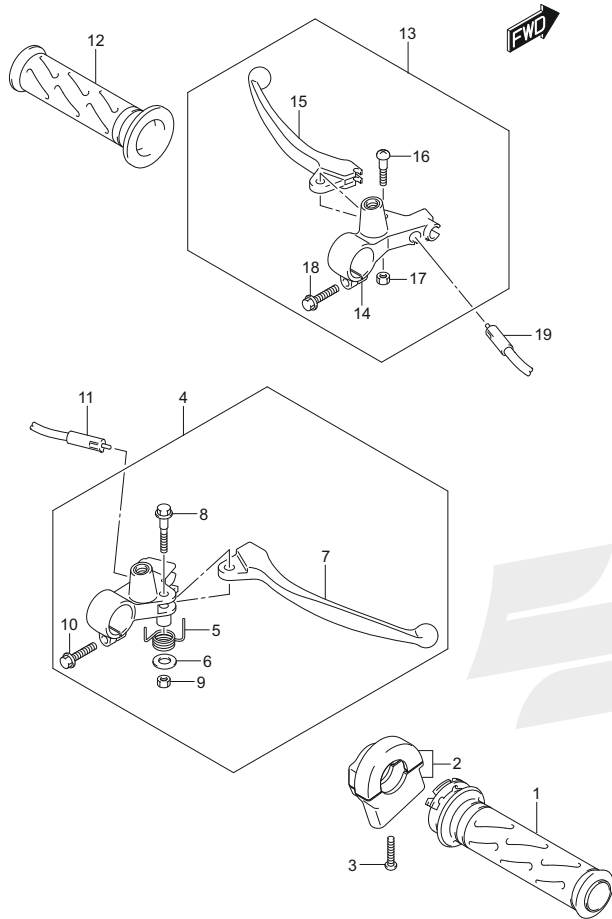
REF NO.	PART NO.	DESCRIPTION	QTY	REMARKS
1-1	56311-02L01-SAB	COVER,HANDLE FRONT (SILVER)	1	BODY COLOR:SAB
1-2	56311-02L01-YBA	COVER,HANDLE FRONT (BLUE)	1	BODY COLOR:YBA
1-3	56311-02L01-YPA	COVER,HANDLE FRONT (WHITE)	1	BODY COLOR:YPA
1-4	56311-02L01-YVB	COVER,HANDLE FRONT (BLACK)	1	BODY COLOR:YVB
1-5	56311-02L01-QMV	COVER,HANDLE FRONT (RED)	1	BODY COLOR:QMV
2	56321-02L00-291	COVER,HANDLE REAR (BLACK)	1	
3	56312-02L00-000	COVER,HANDLE FR UPR	1	
4	02142-0512B-000	SCREW	1	
5	03541-0416B-000	SCREW	4	
6	02142-0512A-000	SCREW	1	
7	03541-0416A-000	SCREW	2	

4



467A

467A (F-12) HANDLE LEVER (UZ125NE,UZ125NEW,UZ125NEY)



REF NO.	PART NO.	DESCRIPTION	QTY	REMARKS
1	57110-30H10-000	GRIP,THROTTLE	1	
2	57100-02L00-000	CASE ASSY,THROTTLE	1	
3	02112-0525A-000	SCREW	2	
4	57300-39J80-000	LEVER ASSY,FR BRAKE	1	
5	57523-39J10-000	.SPRING,BRAKE LEVER STOPPER	1	
6	09160-05013-000	.WASHER (5.2X16X1.0)	1	
7	57421-39J60-000	.LEVER,BRAKE,R	1	
8	57431-39J10-000	.BOLT,BRAKE LEVER PIVOT	1	
9	08319-2105A-000	.NUT	1	
10	01547-0620A-000	.BOLT	1	
11	37760-39J10-000	SWITCH ASSY,BRAKE	1	
12	57211-22D11-000	GRIP,LH	1	
13	57500-39J60-000	LEVER ASSY,RR BRAKE	1	
14	57511-39J50-000	.HOLDER,BRAKE LEVER,L	1	
15	57621-39J00-000	.LEVER,BRAKE,L	1	
16	57431-39J00-000	.BOLT,BRAKE LEVER PIVOT	1	
17	08319-2105A-000	.NUT	1	
18	01547-0620A-000	.BOLT	1	
19	37760-39J10-000	SWITCH ASSY,BRAKE	1	

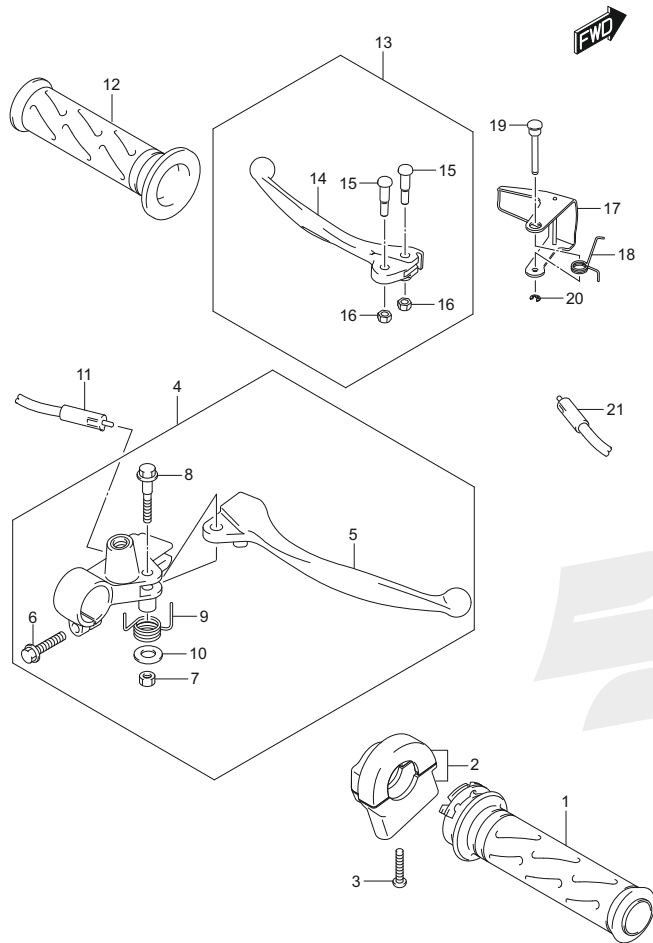
4

467B

467B (F-13) HANDLE LEVER (UZ125ND,UZ125NDW,
UZ125NDY,UZ125NH)

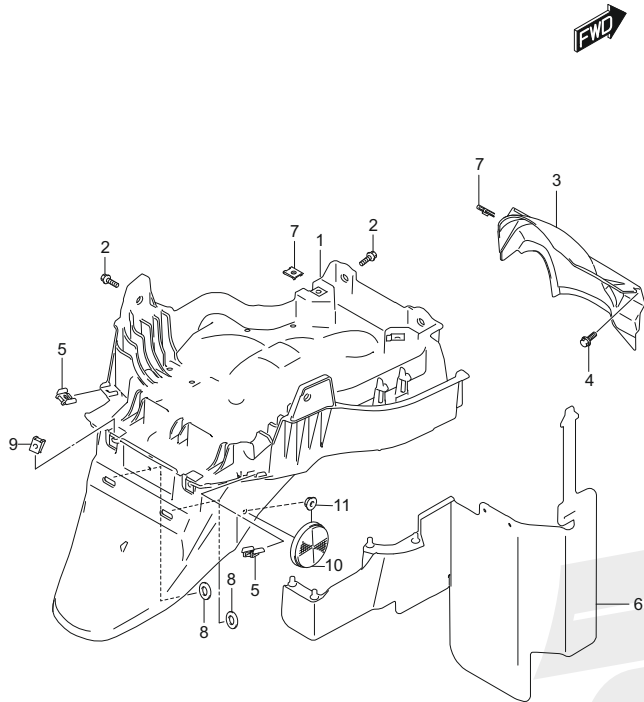
REF NO.	PART NO.	DESCRIPTION	QTY	REMARKS
1	57110-30H10-000	GRIP,THROTTLE	1	
2	57100-02L00-000	CASE ASSY,THROTTLE	1	
3	02112-0525A-000	SCREW	2	
4	57300-39J60-000	LEVER ASSY,FR BRAKE	1	
5	57421-39J50-000	.LEVER,BRAKE,R	1	
6	01547-0620A-000	.BOLT	1	
7	08319-2105A-000	.NUT	1	
8	57431-39J10-000	.BOLT,BRAKE LEVER PIVOT	1	
9	57523-39J10-000	.SPRING,BRAKE LEVER STOPPER	1	
10	09160-05013-000	.WASHER (5.2X16X1.0)	1	
11	37760-39J10-000	SWITCH ASSY,BRAKE	1	
12	57211-22D11-000	GRIP,LH	1	
13	57500-08K00-000	LEVER ASSY,BRAKE,L	1	
14	57621-08K00-000	.LEVER,BRAKE,L	1	
15	57431-08K00-000	.BOLT,BRAKE LEVER PIVOT	2	
16	08319-2105A-000	.NUT	2	
17	57520-08K00-000	LEVER,BRAKE LEVER STOPPER	1	
18	57523-08K00-000	SPRING,BRAKE LEVER STOPPER	1	
19	57524-08K00-000	PIN,BRAKE LEVER STOPPER	1	
20	08332-1103A-000	E RING	1	
21	37760-08K20-000	SWITCH ASSY,BRAKE	1	

4



474A

474A (F-14) REAR FENDER

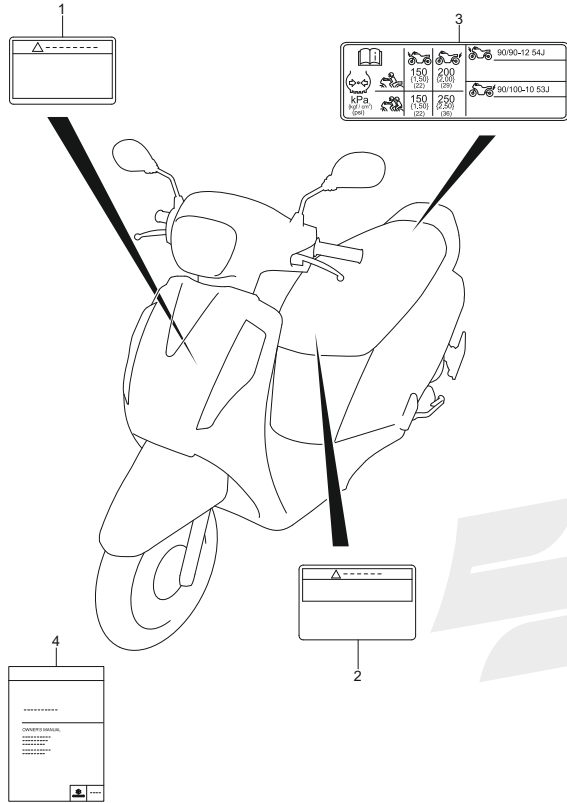


REF NO.	PART NO.	DESCRIPTION	QTY	REMARKS
1	63111-02L10-291	FENDER,REAR UPPER (BLACK)	1	
2	01550-0612A-000	BOLT	4	
3	63112-08K00-000	FENDER,REAR LOWER	1	
4	09113-06010-000	BOLT (6X16)	1	
5	09148-05060-000	NUT	2	
6	63411-02L10-000	MUDGUARD,REAR FENDER	1	
7	35157-34J00-000	NUT	3	
8	08322-0105A-000	WASHER	2	
9	47349-34J01-000	NUT,BODY COWL UPPER (M5)	2	
10	35950-20L00-000	REFLECTOR ASSY	2	
11	08316-1006A-000	NUT (6X12)	2	

496A

496A (F-15) LABEL (UZ125NE,UZ125NEY)

REF NO.	PART NO.	DESCRIPTION	QTY	REMARKS
1	68319-39J00-000	LABEL,GENERAL WARNING	1	
2	68911-02L00-000	LABEL,LOADING CAPACITY	1	
3	68332-02L00-000	LABEL,TIRE INFORMATION	1	
4	99011-02L52-74A	MANUAL,OWNER'S	1	

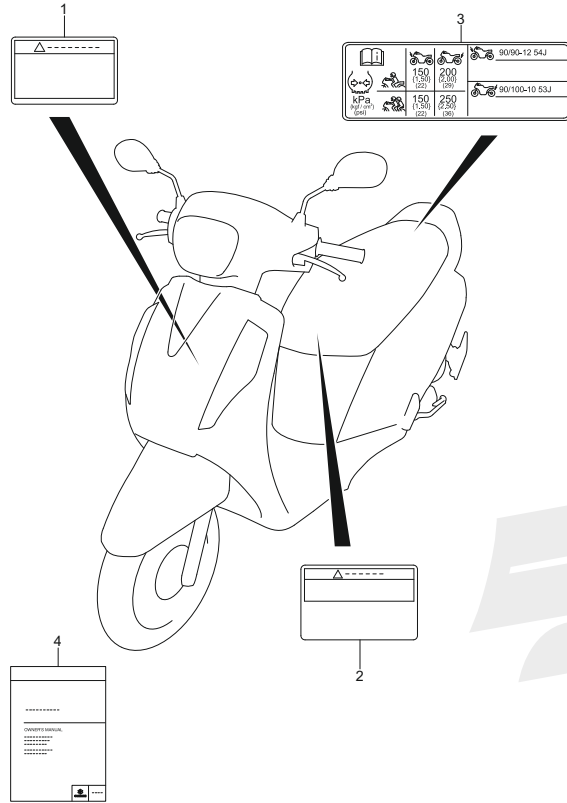


4

496B

496B (F-16) LABEL (UZ125ND,UZ125NDY,UZ125NH)

REF NO.	PART NO.	DESCRIPTION	QTY	REMARKS
1	68319-39J00-000	LABEL,GENERAL WARNING	1	
2	68911-02L00-000	LABEL,LOADING CAPACITY	1	
3	68332-02L10-000	LABEL,TIRE INFORMATION	1	
4	99011-02L52-74A	MANUAL,OWNER'S	1	

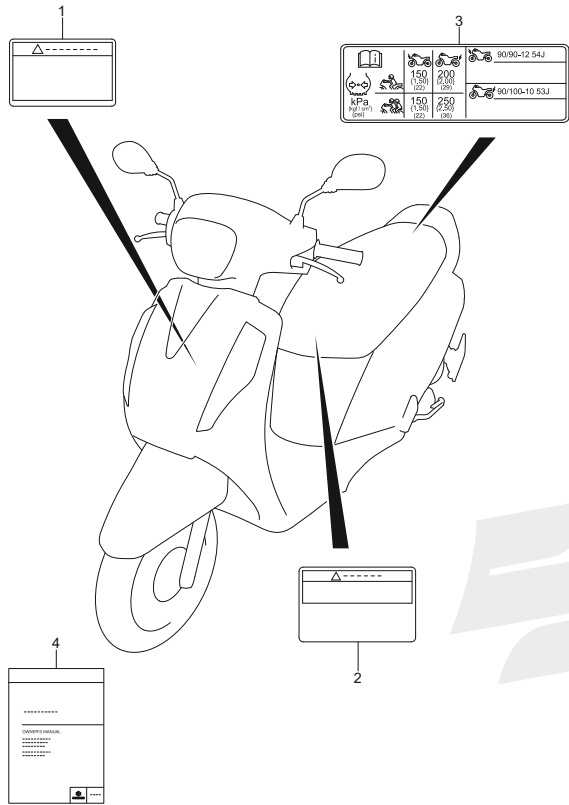


496C

496C (G-2) LABEL (UZ125NEW)

REF NO.	PART NO.	DESCRIPTION	QTY	REMARKS
1	68319-39J00-000	LABEL,GENERAL WARNING	1	
2	68911-02L00-000	LABEL,LOADING CAPACITY	1	
3	68332-02L00-000	LABEL,TIRE INFORMATION	1	
4	99011-02L61-74A	MANUAL,OWNER'S	1	

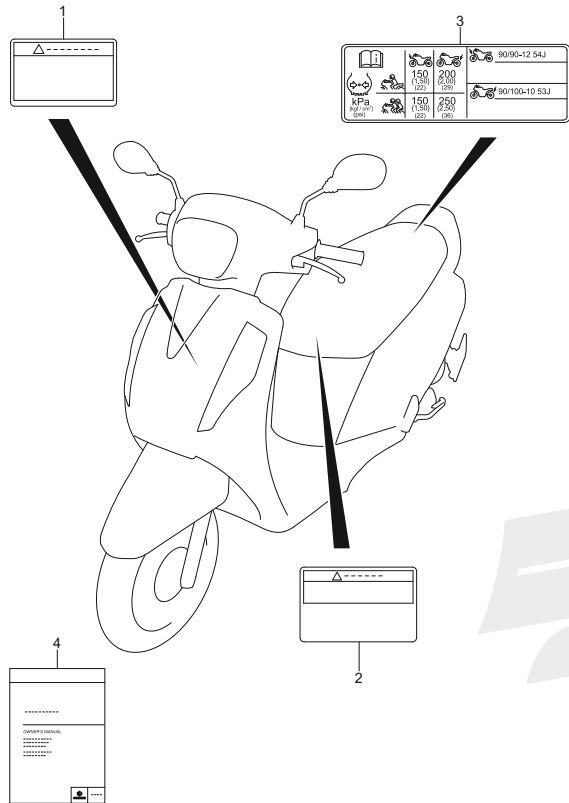
4



496D

496D (G-3) LABEL (UZ125NDW)

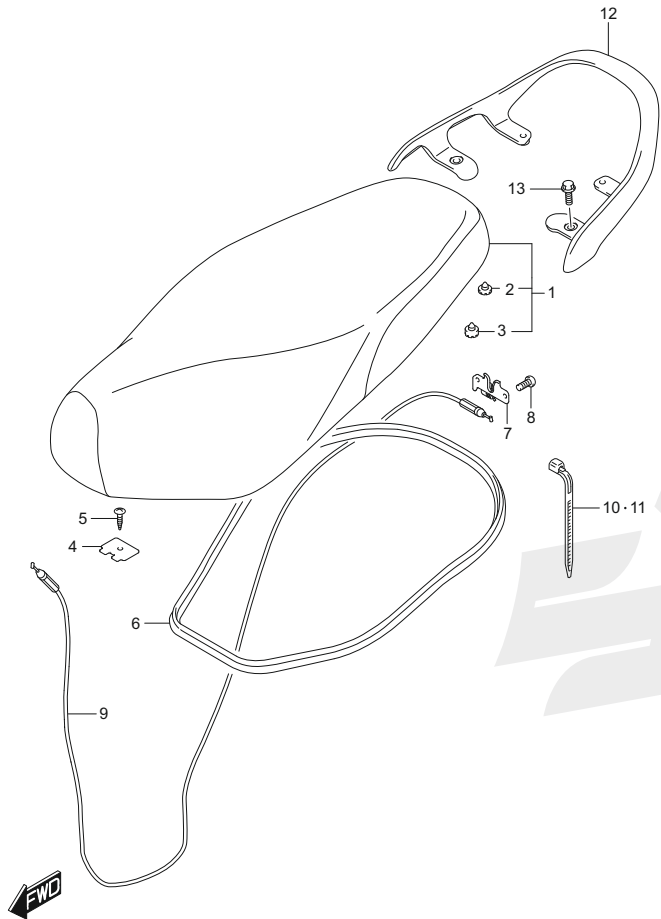
REF NO.	PART NO.	DESCRIPTION	QTY	REMARKS
1	68319-39J00-000	LABEL,GENERAL WARNING	1	
2	68911-02L00-000	LABEL,LOADING CAPACITY	1	
3	68332-02L10-000	LABEL,TIRE INFORMATION	1	
4	99011-02L61-74A	MANUAL,OWNER'S	1	



505A

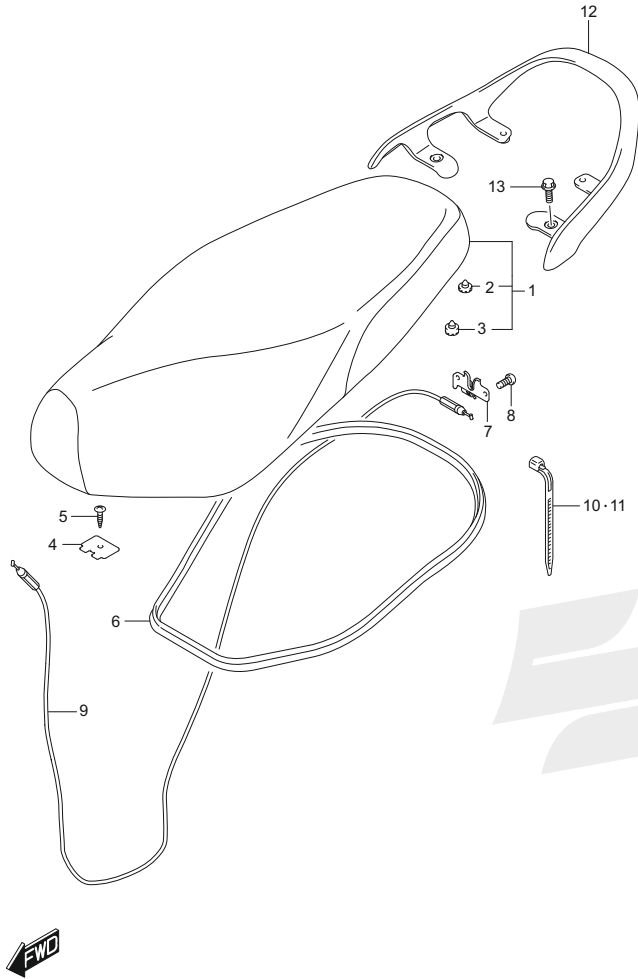
505A (G-4) SEAT (UZ125ND,UZ125NE,UZ125NH)

REF NO.	PART NO.	DESCRIPTION	QTY	REMARKS
1	45100-02L50-BBS	SEAT ASSY (BLACK,GRAY)	1	
2	45148-20GB0-000	.CUSHION,SEAT MOUNT	2	
3	45148-20GJ0-000	.CUSHION,SEAT MOUNT	2	
4	45271-32G10-000	PLATE,SEAT HINGE	1	
5	03541-0516A-000	SCREW	1	
6	45211-08K00-000	MOLDING,SEAT	1	
7	45700-33G70-000	BRACKET,STRIKER SUPPORT	1	
8	02112-0612A-000	SCREW	2	
9	45280-08K20-000	CABLE,SEAT LOCK	1	
10	36990-70F20-000	CLAMP,COMB SW WIRE (L:165)	1	
11	09407-25L02-000	CLAMP (L:235)	1	
12	46211-02L00-13L	HANDLE,PILLION RIDER (SILVER)	1	
13	01550-0830A-000	BOLT	4	



4

505B



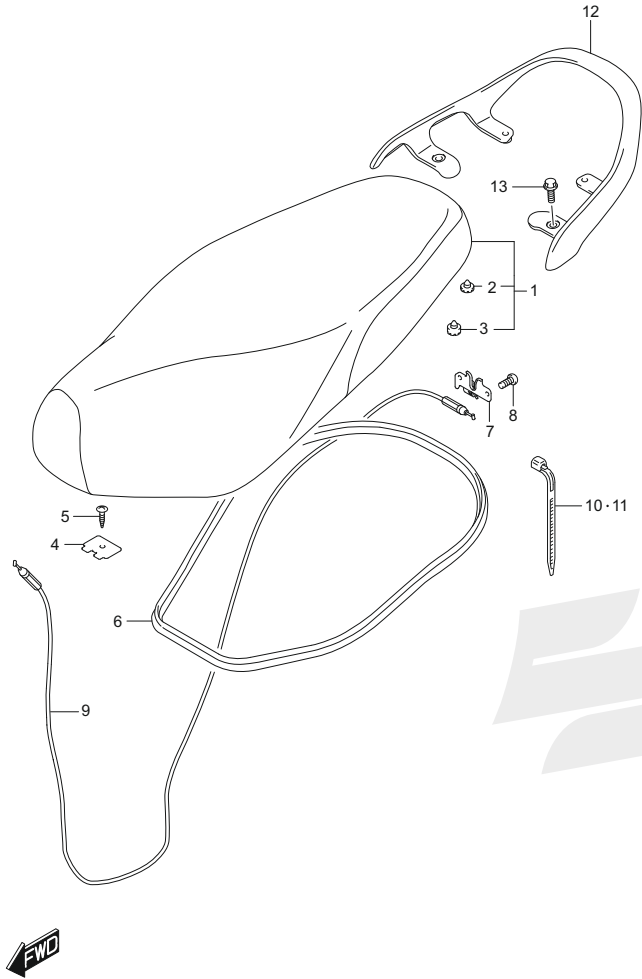
505B (G-5) SEAT (UZ125NDY,UZ125NEY)

REF NO.	PART NO.	DESCRIPTION	QTY	REMARKS
1-1	45100-02L60-BEZ	SEAT ASSY (RED,BLACK)	1	BODY COLOR:SAB,YBA
1-2	45100-02L70-AVT	SEAT ASSY (BROWN,WHITE)	1	BODY COLOR:QMV,QS4
2	45148-20GB0-000	.CUSHION,SEAT MOUNT	2	
3	45148-20GJ0-000	.CUSHION,SEAT MOUNT	2	
4	45271-32G10-000	PLATE,SEAT HINGE	1	
5	03541-0516A-000	SCREW	1	
6	45211-08K00-000	MOLDING,SEAT	1	
7	45700-33G70-000	BRACKET,STRIKER SUPPORT	1	
8	02112-0612A-000	SCREW	2	
9	45280-08K20-000	CABLE,SEAT LOCK	1	
10	36990-70F20-000	CLAMP,COMB SW WIRE (L:165)	1	
11	09407-25L02-000	CLAMP (L:235)	1	
12-1	46211-02L00-YVB	HANDLE,PILLION RIDER (BLACK)	1	BODY COLOR:SAB
12-2	46211-02L00-13L	HANDLE,PILLION RIDER (SILVER)	1	BODY COLOR:YBA,QMV,QS4
13	01550-0830A-000	BOLT	4	

505C

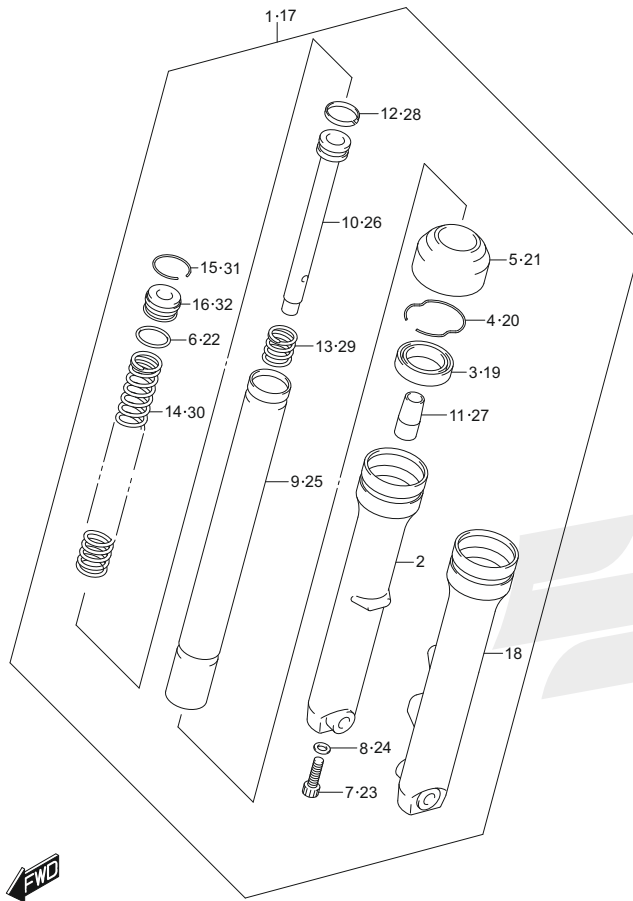
505C (G-6) SEAT (UZ125NDW,UZ125NEW)

4



REF NO.	PART NO.	DESCRIPTION	QTY	REMARKS
1	45100-02L80-B5F	SEAT ASSY	1	
2	45148-20GB0-000	.CUSHION,SEAT MOUNT	2	
3	45148-20GJ0-000	.CUSHION,SEAT MOUNT	2	
4	45271-32G10-000	PLATE,SEAT HINGE	1	
5	03541-0516A-000	SCREW	1	
6	45211-08K00-000	MOLDING,SEAT	1	
7	45700-33G70-000	BRACKET,STRIKER SUPPORT	1	
8	02112-0612A-000	SCREW	2	
9	45280-08K20-000	CABLE,SEAT LOCK	1	
10	36990-70F20-000	CLAMP,COMB SW WIRE (L:165)	1	
11	09407-25L02-000	CLAMP (L:235)	1	
12-1	46211-02L00-YVB	HANDLE,PILLION RIDER (BLACK)	1	
12-2	46211-02L00-13L	HANDLE,PILLION RIDER (SILVER)	1	
13	01550-0830A-000	BOLT	4	

521A



UZ125M2_P74_521A
FRONT FORK DAMPER

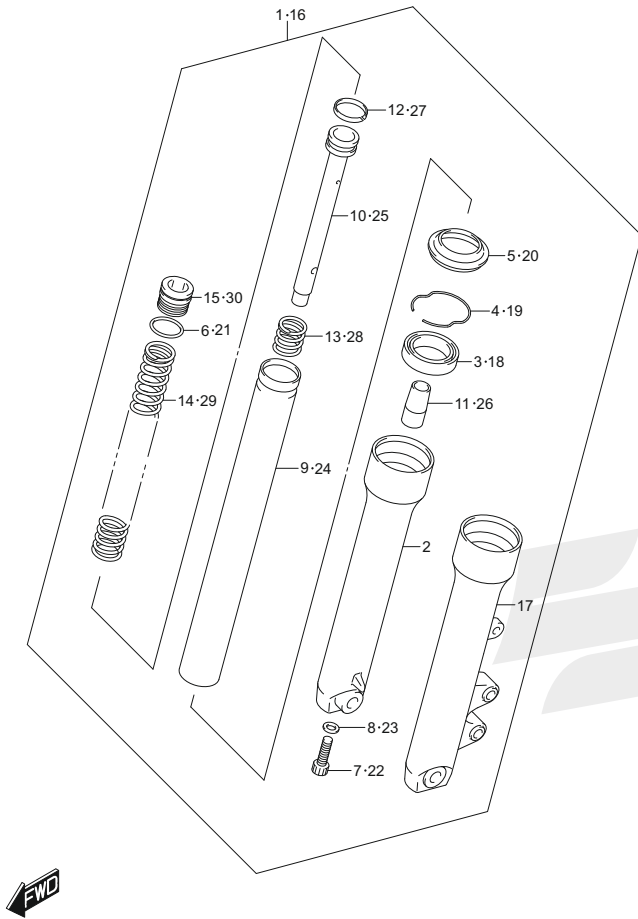
521A (G-7) FRONT FORK DAMPER (UZ125ND,UZ125NH)

REF NO.	PART NO.	DESCRIPTION	QTY	REMARKS
1	51103-08K00-13L	DAMPER ASSY,FRONT FORK RH (SILVER)	1	SHOWA INDIA
2	51131-08K00-13L	.TUBE,OUTER RH (SILVER)	1	
3	51153-48420-000	.SEAL,OIL	1	
4	51156-36030-000	.RING,OIL SEAL STOPPER	1	
5	51173-25030-000	.SEAL,DUST	1	
6	51117-43EC0-000	.O RING	1	
7	51147-31030-000	.BOLT	1	
8	51148-08K00-000	.GASKET	1	
9	51110-08K00-000	.TUBE,INNER	1	
10	51194-08K00-000	.PIPE SEAT	1	
11	51195-26B00-000	.PIECE,OIL LOCK	1	
12	51196-08K00-000	.RING,PISTON	1	
13	51177-08K00-000	.SPRING,REBOUND	1	
14	51171-08K00-000	.SPRING, FRONT	1	
15	51169-48500-000	.RING,STOPPER	1	
16	51175-08K00-000	.CAP,INNER TUBE	1	
17	51104-08K00-13L	DAMPER ASSY,FRONT FORK LH (SILVER)	1	SHOWA INDIA
18	51141-08K00-13L	.TUBE,OUTER LH (SILVER)	1	
19	51153-48420-000	.SEAL,OIL	1	
20	51156-36030-000	.RING,OIL SEAL STOPPER	1	
21	51173-25030-000	.SEAL,DUST	1	
22	51117-43EC0-000	.O RING	1	
23	51147-31030-000	.BOLT	1	
24	51148-08K00-000	.GASKET	1	
25	51110-08K00-000	.TUBE,INNER	1	
26	51194-08K00-000	.PIPE SEAT	1	
27	51195-26B00-000	.PIECE,OIL LOCK	1	
28	51196-08K00-000	.RING,PISTON	1	
29	51177-08K00-000	.SPRING,REBOUND	1	
30	51171-08K00-000	.SPRING, FRONT	1	
31	51169-48500-000	.RING,STOPPER	1	
32	51175-08K00-000	.CAP,INNER TUBE	1	

521B

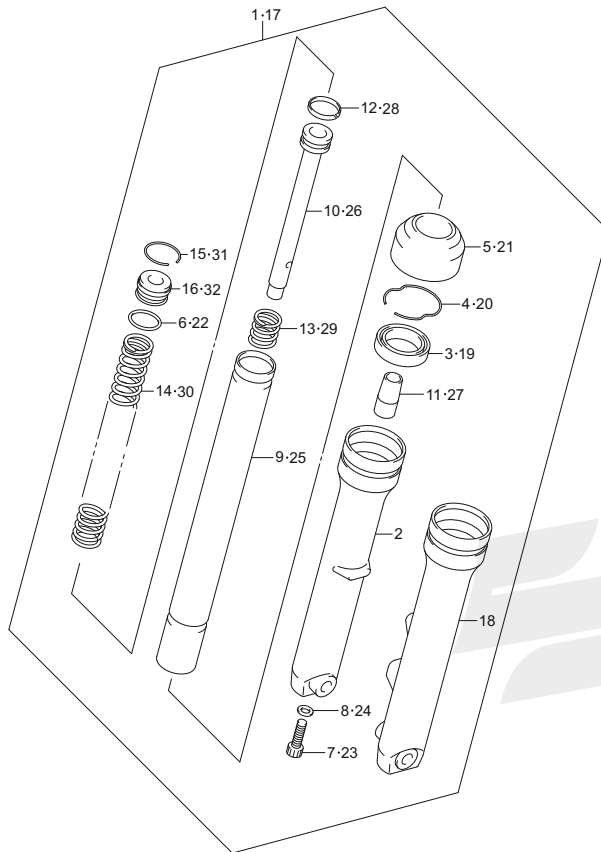
521B (G-8) FRONT FORK DAMPER (UZ125NE)

4



REF NO.	PART NO.	DESCRIPTION	QTY	REMARKS
1	51103-08K10-13L	DAMPER, FR FORK RH (SILVER)	1	GABRIEL
2	51131-08K10-13L	.TUBE, OUTER RH (SILVER)	1	
3	51153-33G10-000	.SEAL, OIL	1	
4	51156-33G10-000	.RING, SNAP	1	
5	51173-33G10-000	.SEAL, DUST	1	
6	51117-33G10-000	.O RING	1	
7	51147-33G10-000	.BOLT	1	
8	51148-33G10-000	.GASKET	1	
9	51110-08K10-000	.TUBE, INNER	1	
10	51146-08K10-000	.CYLINDER, FRONT FORK	1	
11	51195-33G50-000	.OIL LOCK PIECE	1	
12	51196-33G10-000	.RING, PISTON	1	
13	51177-33G10-000	.SPRING, REBOUND	1	
14	51171-08K10-000	.SPRING, FRONT	1	
15	51351-33G10-000	.BOLT	1	
16	51104-08K10-13L	DAMPER, FR FORK LH (SILVER)	1	GABRIEL
17	51141-08K10-13L	.TUBE, OUTER LH (SILVER)	1	
18	51153-33G10-000	.SEAL, OIL	1	
19	51156-33G10-000	.RING, SNAP	1	
20	51173-33G10-000	.SEAL, DUST	1	
21	51117-33G10-000	.O RING	1	
22	51147-33G10-000	.BOLT	1	
23	51148-33G10-000	.GASKET	1	
24	51110-08K10-000	.TUBE, INNER	1	
25	51146-08K10-000	.CYLINDER, FRONT FORK	1	
26	51195-33G50-000	.OIL LOCK PIECE	1	
27	51196-33G10-000	.RING, PISTON	1	
28	51177-33G10-000	.SPRING, REBOUND	1	
29	51171-08K10-000	.SPRING, FRONT	1	
30	51351-33G10-000	.BOLT	1	

521C



UZ125M2_P74_521C
FRONT FORK DAMPER

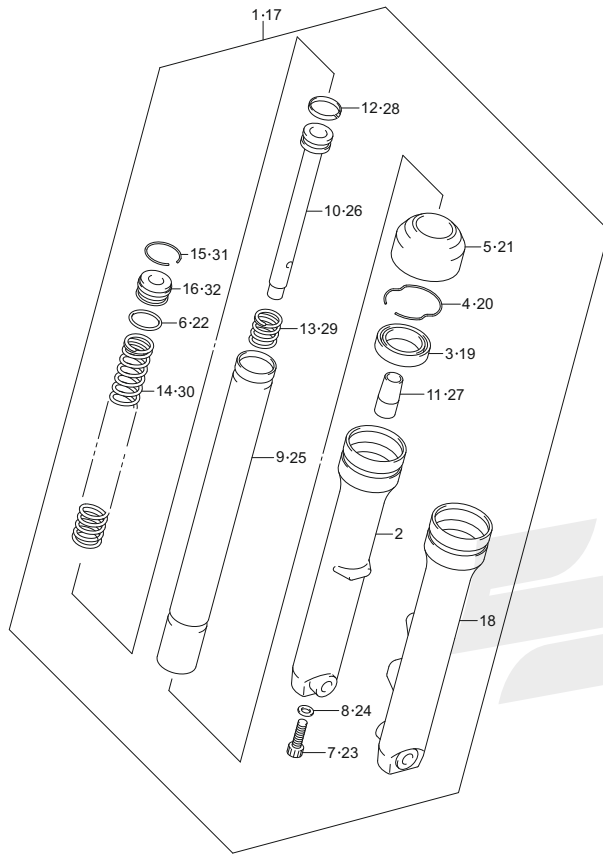
521C (G-9) FRONT FORK DAMPER (UZ125NDW)

REF NO.	PART NO.	DESCRIPTION	QTY	REMARKS
1	51103-08K00-291	DAMPER ASSY,FRONT FORK RH (BLACK)	1	SHOWA INDIA
2	51131-08K00-291	.TUBE, OUTER RH (BLACK)	1	
3	51153-48420-000	.SEAL,OIL	1	
4	51156-36030-000	.RING,OIL SEAL STOPPER	1	
5	51173-25030-000	.SEAL,DUST	1	
6	51117-43EC0-000	.O RING	1	
7	51147-31030-000	.BOLT	1	
8	51148-08K00-000	.GASKET	1	
9	51110-08K00-000	.TUBE,INNER	1	
10	51194-08K00-000	.PIPE SEAT	1	
11	51195-26B00-000	.PIECE,OIL LOCK	1	
12	51196-08K00-000	.RING,PISTON	1	
13	51177-08K00-000	.SPRING,REBOUND	1	
14	51171-08K00-000	.SPRING, FRONT	1	
15	51169-48500-000	.RING,STOPPER	1	
16	51175-08K00-000	.CAP,INNER TUBE	1	
17	51104-08K00-291	DAMPER ASSY,FRONT FORK LH (BLACK)	1	SHOWA INDIA
18	51141-08K00-291	.TUBE,OUTER LH (BLACK)	1	
19	51153-48420-000	.SEAL,OIL	1	
20	51156-36030-000	.RING,OIL SEAL STOPPER	1	
21	51173-25030-000	.SEAL,DUST	1	
22	51117-43EC0-000	.O RING	1	
23	51147-31030-000	.BOLT	1	
24	51148-08K00-000	.GASKET	1	
25	51110-08K00-000	.TUBE,INNER	1	
26	51194-08K00-000	.PIPE SEAT	1	
27	51195-26B00-000	.PIECE,OIL LOCK	1	
28	51196-08K00-000	.RING,PISTON	1	
29	51177-08K00-000	.SPRING,REBOUND	1	
30	51171-08K00-000	.SPRING, FRONT	1	
31	51169-48500-000	.RING,STOPPER	1	
32	51175-08K00-000	.CAP,INNER TUBE	1	

521D

521D (G-10) FRONT FORK DAMPER (UZ125NDY)

4

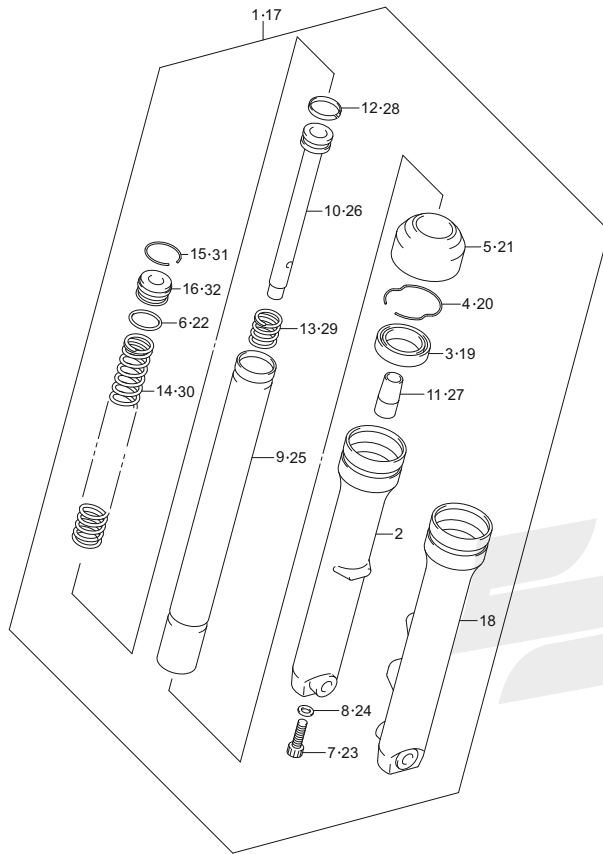


UZ125M2_P74_521D
FRONT FORK DAMPER

REF NO.	PART NO.	DESCRIPTION	QTY	REMARKS
1-1	51103-08K00-13L	DAMPER ASSY,FRONT FORK RH (SILVER)	1	SHOWA INDIA
1-2	51103-08K00-291	DAMPER ASSY,FRONT FORK RH (BLACK)	1	SHOWA INDIA
2-1	51131-08K00-13L	.TUBE, OUTER RH (SILVER)	1	
2-2	51131-08K00-291	.TUBE, OUTER RH (BLACK)	1	
3	51153-48420-000	.SEAL,OIL	1	
4	51156-36030-000	.RING,OIL SEAL STOPPER	1	
5	51173-25030-000	.SEAL,DUST	1	
6	51117-43EC0-000	.O RING	1	
7	51147-31030-000	.BOLT	1	
8	51148-08K00-000	.GASKET	1	
9	51110-08K00-000	.TUBE,INNER	1	
10	51194-08K00-000	.PIPE SEAT	1	
11	51195-26B00-000	.PIECE,OIL LOCK	1	
12	51196-08K00-000	.RING,PISTON	1	
13	51177-08K00-000	.SPRING,REBOUND	1	
14	51171-08K00-000	.SPRING, FRONT	1	
15	51169-48500-000	.RING,STOPPER	1	
16	51175-08K00-000	.CAP,INNER TUBE	1	
17-1	51104-08K00-13L	DAMPER ASSY,FRONT FORK LH (SILVER)	1	SHOWA INDIA
17-2	51104-08K00-291	DAMPER ASSY,FRONT FORK LH (BLACK)	1	SHOWA INDIA
18-1	51141-08K00-13L	.TUBE, OUTER LH (SILVER)	1	
18-2	51141-08K00-291	.TUBE, OUTER LH (BLACK)	1	
19	51153-48420-000	.SEAL,OIL	1	
20	51156-36030-000	.RING,OIL SEAL STOPPER	1	
21	51173-25030-000	.SEAL,DUST	1	
22	51117-43EC0-000	.O RING	1	
23	51147-31030-000	.BOLT	1	
24	51148-08K00-000	.GASKET	1	
25	51110-08K00-000	.TUBE,INNER	1	
26	51194-08K00-000	.PIPE SEAT	1	
27	51195-26B00-000	.PIECE,OIL LOCK	1	

521D

521D (G-11) FRONT FORK DAMPER (UZ125NDY)



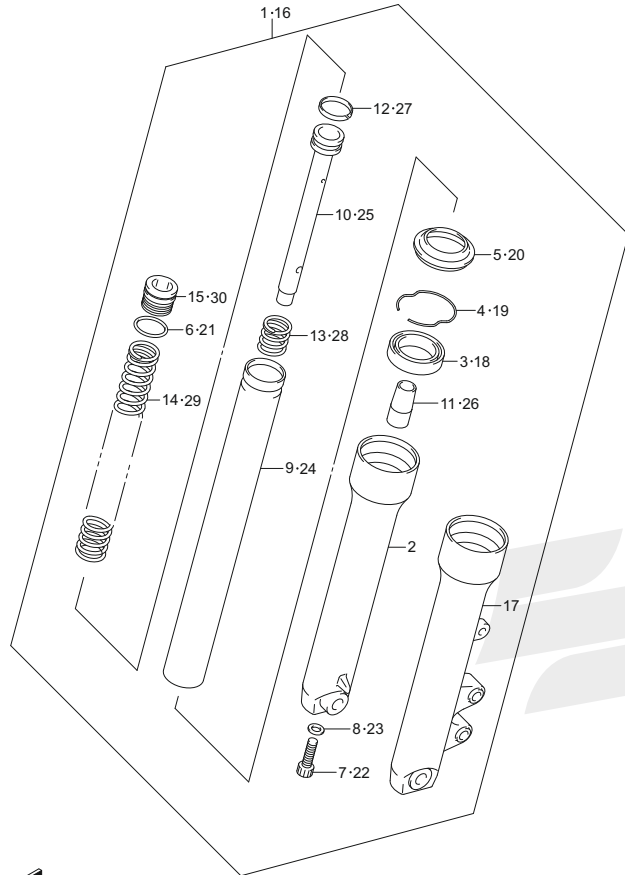
REF NO.	PART NO.	DESCRIPTION	QTY	REMARKS
28	51196-08K00-000	.RING,PISTON	1	
29	51177-08K00-000	.SPRING,REBOUND	1	
30	51171-08K00-000	.SPRING, FRONT	1	
31	51169-48500-000	.RING,STOPPER	1	
32	51175-08K00-000	.CAP,INNER TUBE	1	



521E

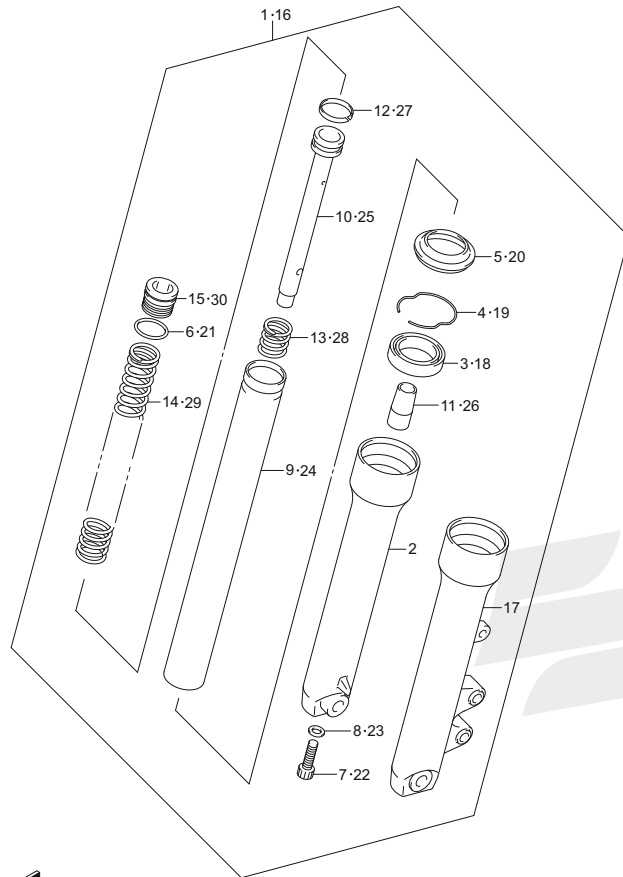
521E (G-12) FRONT FORK DAMPER (UZ125NEW)

4



REF NO.	PART NO.	DESCRIPTION	QTY	REMARKS
1	51103-08K10-291	DAMPER, FR FORK RH (BLACK)	1	GABRIEL
2	51131-08K10-291	.TUBE, OUTER RH (BLACK)	1	
3	51153-33G10-000	.SEAL, OIL	1	
4	51156-33G10-000	.RING, SNAP	1	
5	51173-33G10-000	.SEAL, DUST	1	
6	51117-33G10-000	.O RING	1	
7	51147-33G10-000	.BOLT	1	
8	51148-33G10-000	.GASKET	1	
9	51110-08K10-000	.TUBE, INNER	1	
10	51146-08K10-000	.CYLINDER, FRONT FORK	1	
11	51195-33G50-000	.OIL LOCK PIECE	1	
12	51196-33G10-000	.RING, PISTON	1	
13	51177-33G10-000	.SPRING, REBOUND	1	
14	51171-08K10-000	.SPRING, FRONT	1	
15	51351-33G10-000	.BOLT	1	
16	51104-08K10-291	DAMPER, FR FORK LH (BLACK)	1	GABRIEL
17	51141-08K10-291	.TUBE, OUTER LH (BLACK)	1	
18	51153-33G10-000	.SEAL, OIL	1	
19	51156-33G10-000	.RING, SNAP	1	
20	51173-33G10-000	.SEAL, DUST	1	
21	51117-33G10-000	.O RING	1	
22	51147-33G10-000	.BOLT	1	
23	51148-33G10-000	.GASKET	1	
24	51110-08K10-000	.TUBE, INNER	1	
25	51146-08K10-000	.CYLINDER, FRONT FORK	1	
26	51195-33G50-000	.OIL LOCK PIECE	1	
27	51196-33G10-000	.RING, PISTON	1	
28	51177-33G10-000	.SPRING, REBOUND	1	
29	51171-08K10-000	.SPRING, FRONT	1	
30	51351-33G10-000	.BOLT	1	

521F



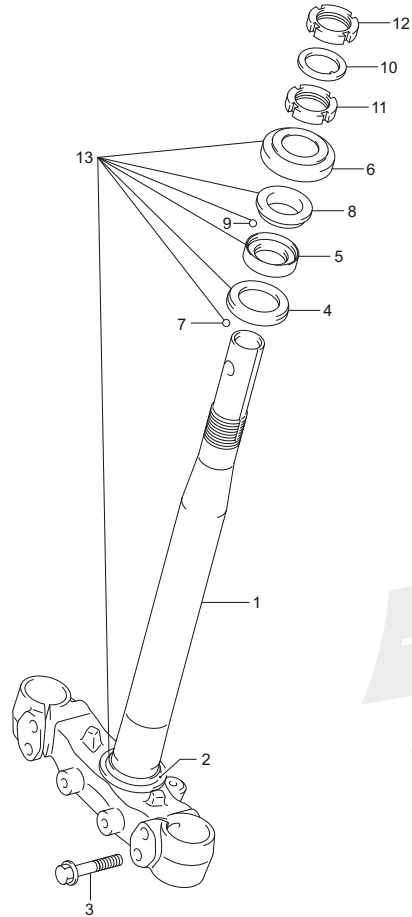
521F (G-13) FRONT FORK DAMPER (UZ125NEY)

REF NO.	PART NO.	DESCRIPTION	QTY	REMARKS
1-1	51103-08K10-13L	DAMPER, FR FORK RH (SILVER)	1	GABRIEL
1-2	51103-08K10-291	DAMPER, FR FORK RH (BLACK)	1	GABRIEL
2-1	51131-08K10-13L	.TUBE, OUTER RH (SILVER)	1	
2-2	51131-08K10-291	.TUBE, OUTER RH (BLACK)	1	
3	51153-33G10-000	.SEAL, OIL	1	
4	51156-33G10-000	.RING, SNAP	1	
5	51173-33G10-000	.SEAL, DUST	1	
6	51117-33G10-000	.O RING	1	
7	51147-33G10-000	.BOLT	1	
8	51148-33G10-000	.GASKET	1	
9	51110-08K10-000	.TUBE, INNER	1	
10	51146-08K10-000	.CYLINDER, FRONT FORK	1	
11	51195-33G50-000	.OIL LOCK PIECE	1	
12	51196-33G10-000	.RING, PISTON	1	
13	51177-33G10-000	.SPRING, REBOUND	1	
14	51171-08K10-000	.SPRING, FRONT	1	
15	51351-33G10-000	.BOLT	1	
16-1	51104-08K10-13L	DAMPER, FR FORK LH (SILVER)	1	GABRIEL
16-2	51104-08K10-291	DAMPER, FR FORK LH (BLACK)	1	GABRIEL
17-1	51141-08K10-13L	.TUBE, OUTER LH (SILVER)	1	
17-2	51141-08K10-291	.TUBE, OUTER LH (BLACK)	1	
18	51153-33G10-000	.SEAL, OIL	1	
19	51156-33G10-000	.RING, SNAP	1	
20	51173-33G10-000	.SEAL, DUST	1	
21	51117-33G10-000	.O RING	1	
22	51147-33G10-000	.BOLT	1	
23	51148-33G10-000	.GASKET	1	
24	51110-08K10-000	.TUBE, INNER	1	
25	51146-08K10-000	.CYLINDER, FRONT FORK	1	
26	51195-33G50-000	.OIL LOCK PIECE	1	
27	51196-33G10-000	.RING, PISTON	1	
28	51177-33G10-000	.SPRING, REBOUND	1	
29	51171-08K10-000	.SPRING, FRONT	1	
30	51351-33G10-000	.BOLT	1	

524A

524A (G-14) STEERING STEM (UZ125ND,UZ125NDW,
UZ125NDY,UZ125NH)

REF NO.	PART NO.	DESCRIPTION	QTY	REMARKS
1	51410-08K00-000	BRACKET,FRONT FORK LOWER	1	
2	51622-41H00-000	RACE	1	
3	51434-08K00-000	BOLT,FRONT FORK LOWER BRACKET	4	
4	51612-41H01-000	RACE,STEERING INNER LOWER	1	
5	51611-41H01-000	RACE,STEERING INNER UPPER	1	
6	51643-06001-000	DUST SEAL,UPPER	1	
7	06111-06004-000	BALL	23	
8	51621-41H00-000	RACE,STEERING OUTER UPPER	1	
9	06111-06004-000	BALL	28	
10	09166-24001-000	WASHER (24.5X34X2.3)	1	
11	51631-05000-000	NUT,STEERING STEM	1	
12	51631-05000-000	NUT,STEERING STEM	1	
13	51600-28810-000	RACER STEERING KIT	1	



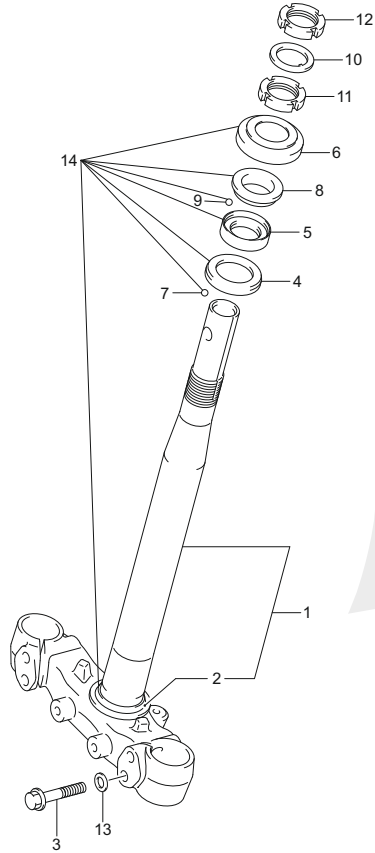
4



524B

524B (G-15) STEERING STEM (UZ125NE,UZ125NEW,UZ125NEY)

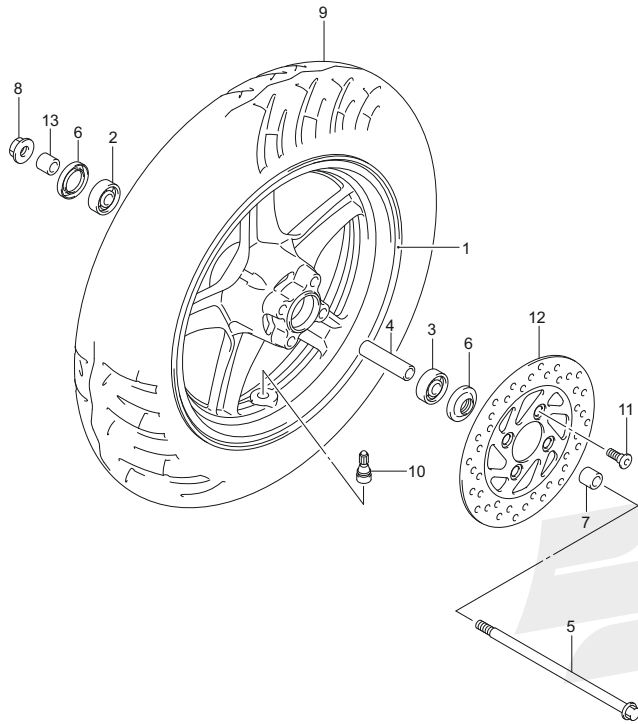
REF NO.	PART NO.	DESCRIPTION	QTY	REMARKS
1	51410-08K10-000	BRACKET,FRONT FORK LOWR	1	
2	51622-41H00-000	.RACE	1	
3	51434-08K10-000	BOLT, FR FORK INNER TUBE CLAMP	4	
4	51612-41H01-000	RACE,STEERING INNER LOWER	1	
5	51611-41H01-000	RACE,STEERING INNER UPPER	1	
6	51643-06001-000	DUST SEAL,UPPER	1	
7	06111-06004-000	BALL	23	
8	51621-41H00-000	RACE,STEERING OUTER UPPER	1	
9	06111-06004-000	BALL	28	
10	09166-24001-000	WASHER (24.5X34X2.3)	1	
11	51631-05000-000	NUT,STEERING STEM	1	
12	51631-05000-000	NUT,STEERING STEM	1	
13	51435-33G10-000	WASHER	4	
14	51600-28810-000	RACER STEERING KIT	1	



530A

530A (G-16) FRONT WHEEL (UZ125NE)

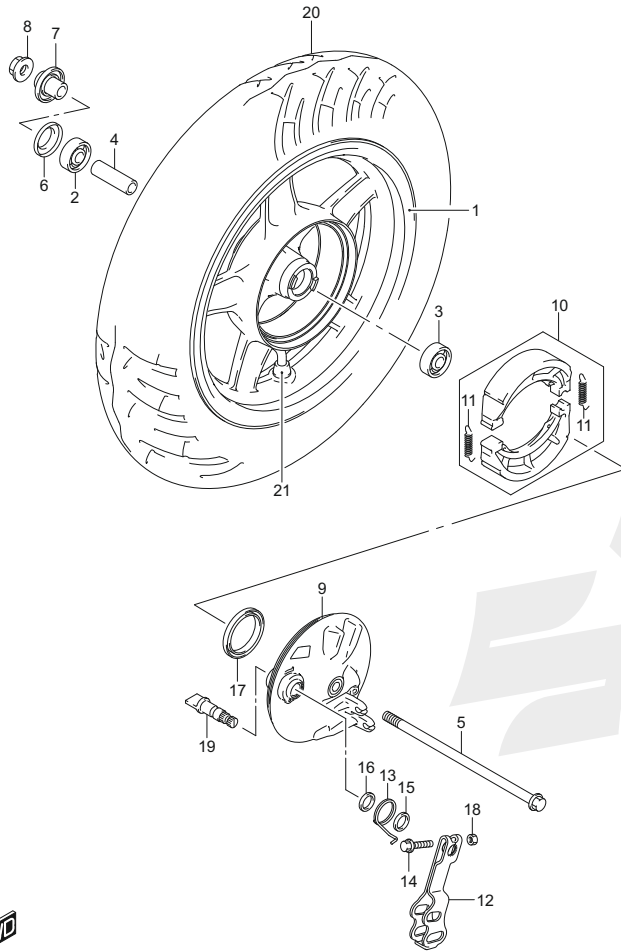
REF NO.	PART NO.	DESCRIPTION	QTY	REMARKS
1	54111-08K50-13L	WHEEL,FRONT (SILVER)	1	
2	08133-6300B-000	BEARING,FRONT HUB	1	
3	08133-6300B-000	BEARING,FRONT HUB	1	
4	54731-02L00-000	SPACER,FR HUB BEARING	1	
5	54711-11F00-000	AXLE,FRONT	1	
6	54841-23J00-000	SEAL,FRONT HUB DUST (17X38X5)	2	
7	54751-02L00-000	SPACER,FR AXLE L	1	
8	64147-33G10-000	NUT,FRONT HUB	1	
9-1	55110-08K20-000	TIRE	1	(NON-SERVICEABLE) MAXXIS
9-2	55110-08K51-000	TIRE (90/90-12 54J)	1	(NON-SERVICEABLE) CEAT
10	43130-24A70-000	VALVE ASSY,WHEEL RIM (TR412)	1	
11	59218-34J00-000	BOLT,FRONT BRAKE DISC	4	
12	59221-08K00-000	DISC,FRONT BRAKE,L	1	
13	54741-02L00-000	SPACER,FR AXLE R	1	



4



530B



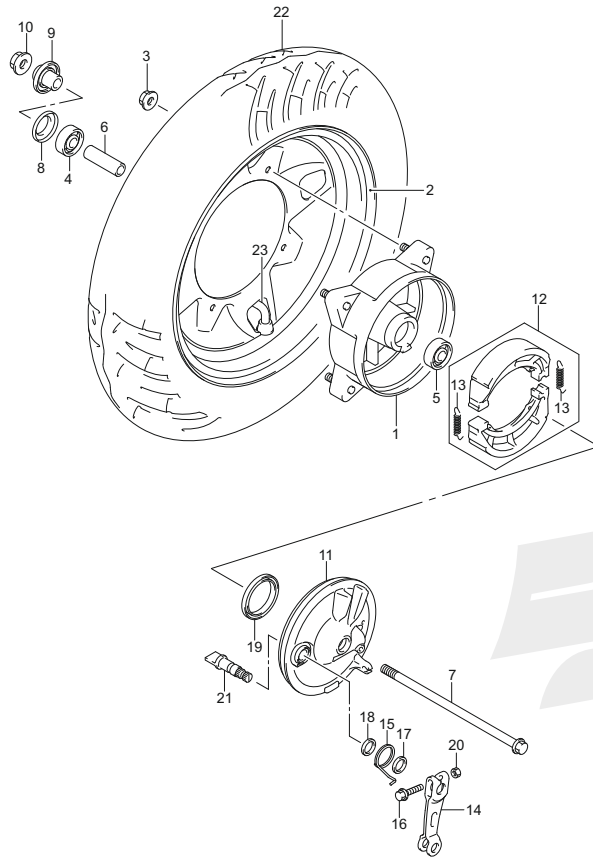
530B (H-2) FRONT WHEEL (UZ125ND)

REF NO.	PART NO.	DESCRIPTION	QTY	REMARKS
1	54150-08K00-13L	WHEEL,FRONT (12X2.15,SILVER)	1	
2	08113-6300B-000	BEARING,FRONT HUB,R	1	
3	08123-6200B-000	BEARING,FRONT HUB,L	1	
4	09180-10071-000	SPACER (10.4X15X48)	1	
5	54711-11F00-000	AXLE,FRONT	1	
6	54841-23J00-000	SEAL,FRONT HUB DUST (17X38X5)	1	
7	54740-08K00-000	SPACER,FRONT AXLE,R	1	
8	64147-33G10-000	NUT,FRONT HUB	1	
9	54210-08K30-13L	PANEL,FRONT BRAKE ANCHOR (SILVER)	1	
10	54400-08820-000	SHOE SET,BRAKE	1	
11	54424-28G00-000	.SPRING	2	
12	54451-08K00-000	LEVER,FRONT BRAKE CAM	1	
13	09448-30009-000	SPRING	1	
14	54455-08K00-000	BOLT,BRAKE CAM LEVER	1	
15	09160-14055-000	WASHER (14.5X22X1.6)	1	
16	54443-28G00-000	O-RING	1	
17	54267-33G00-000	SEAL,FR BRAKE PANEL OIL	1	
18	08310-0006A-000	NUT	1	
19	54441-08K10-000	CAM,FRONT BRAKE	1	
20-1	55110-08K51-000	TIRE (90/90-12 54J)	1	(NON-SERVICEABLE) CEAT
20-2	55110-08K01-000	TIRE	1	(NON-SERVICEABLE) MRF
21	43130-41D90-000	VALVE ASSY,WHEEL RIM (PVR70)	1	

530C

530C (H-3) FRONT WHEEL (UZ125NH)

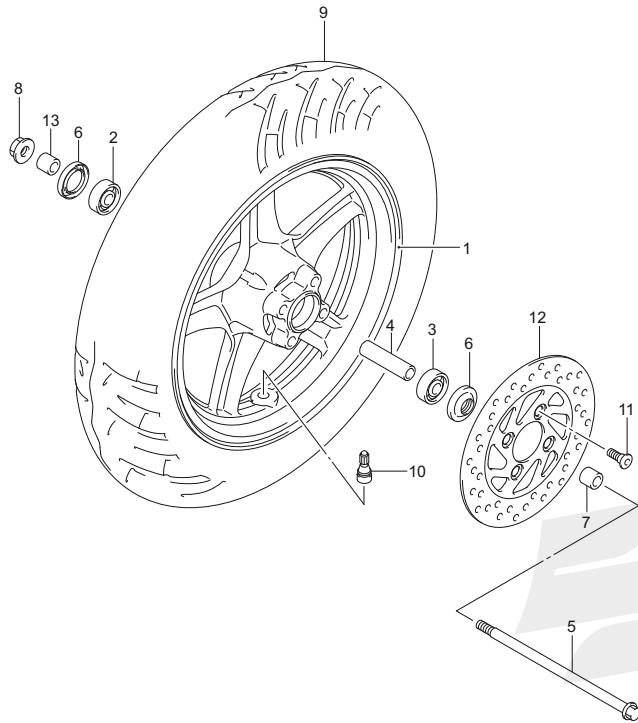
4



REF NO.	PART NO.	DESCRIPTION	QTY	REMARKS
1-1	54110-02L00-13L	HUB,FRONT WHEEL (SILVER)	1	
1-2	54110-02L10-13L	HUB,FRONT WHEEL (SILVER)	1	
2	55310-08K00-13L	RIM,WHEEL (12X2.15,SILVER)	1	
3	08319-3108A-000	NUT	4	
4	08113-6300B-000	BEARING,FRONT HUB,R	1	
5	08123-6200B-000	BEARING,FRONT HUB,L	1	
6	09180-10071-000	SPACER (10.4X15X48)	1	
7	54711-11F00-000	AXLE,FRONT	1	
8	54841-23J00-000	SEAL,FRONT HUB DUST (17X38X5)	1	
9	54741-08K00-000	SPACER,FR AXLE,R	1	
10	64147-33G10-000	NUT,FRONT HUB	1	
11	54210-08K30-13L	PANEL,FRONT BRAKE ANCHOR (SILVER)	1	
12	54400-08820-000	SHOE SET,BRAKE	1	
13	54424-28G00-000	.SPRING	2	
14	54451-08K00-000	LEVER,FRONT BRAKE CAM	1	
15	09448-30009-000	SPRING	1	
16	54455-08K00-000	BOLT,BRAKE CAM LEVER	1	
17	09160-14055-000	WASHER (14.5X22X1.6)	1	
18	54443-28G00-000	O-RING	1	
19	54267-33G00-000	SEAL,FR BRAKE PANEL OIL	1	
20	08310-0006A-000	NUT	1	
21	54441-08K10-000	CAM,FRONT BRAKE	1	
22-1	55110-08K51-000	TIRE (90/90-12 54J)	1	(NON-SERVICEABLE) CEAT
22-2	55110-08K01-000	TIRE	1	(NON-SERVICEABLE) MRF
23	43130-41D90-000	VALVE ASSY,WHEEL RIM (PVR70)	1	

530D

530D (H-4) FRONT WHEEL (UZ125NEW)



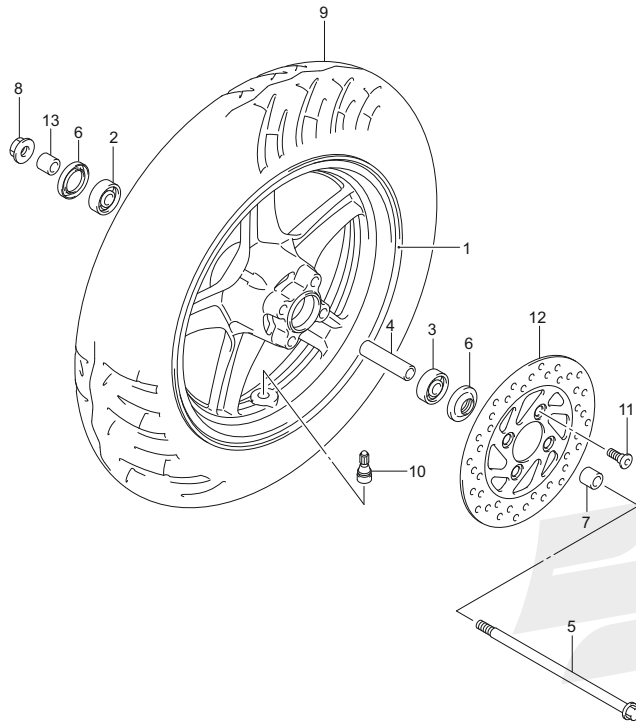
REF NO.	PART NO.	DESCRIPTION	QTY	REMARKS
1	54111-08K70-019	WHEEL,FRONT (BLACK)	1	
2	08133-6300B-000	BEARING,FRONT HUB	1	
3	08133-6300B-000	BEARING,FRONT HUB	1	
4	54731-02L00-000	SPACER,FR HUB BEARING	1	
5	54711-11F00-000	AXLE,FRONT	1	
6	54841-23J00-000	SEAL,FRONT HUB DUST (17X38X5)	2	
7	54751-02L00-000	SPACER,FR AXLE L	1	
8	64147-33G10-000	NUT,FRONT HUB	1	
9-1	55110-08K20-000	TIRE	1	(NON-SERVICEABLE) MAXXIS
9-2	55110-08K51-000	TIRE (90/90-12 54J)	1	(NON-SERVICEABLE) CEAT
10	43130-24A70-000	VALVE ASSY,WHEEL RIM (TR412)	1	
11	59218-34J00-000	BOLT,FRONT BRAKE DISC	4	
12	59221-08K00-000	DISC,FRONT BRAKE,L	1	
13	54741-02L00-000	SPACER,FR AXLE R	1	



530E

530E (H-5) FRONT WHEEL (UZ125NEY)

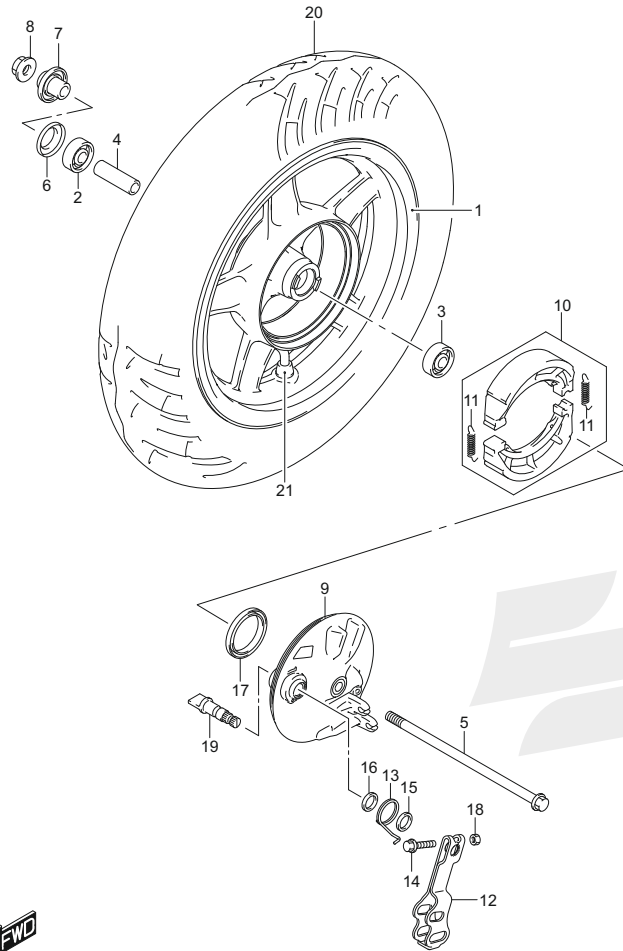
4



UZ125M2_P74_530E
FRONT WHEEL

REF NO.	PART NO.	DESCRIPTION	QTY	REMARKS
1-1	54111-08K50-13L	WHEEL,FRONT (SILVER)	1	
1-2	54111-08K70-019	WHEEL,FRONT (BLACK)	1	
2	08133-6300B-000	BEARING,FRONT HUB	1	
3	08133-6300B-000	BEARING,FRONT HUB	1	
4	54731-02L00-000	SPACER,FR HUB BEARING	1	
5	54711-11F00-000	AXLE,FRONT	1	
6	54841-23J00-000	SEAL,FRONT HUB DUST (17X38X5)	2	
7	54751-02L00-000	SPACER,FR AXLE L	1	
8	64147-33G10-000	NUT,FRONT HUB	1	
9-1	55110-08K20-000	TIRE	1	(NON-SERVICEABLE) MAXXIS
9-2	55110-08K51-000	TIRE (90/90-12 54J)	1	(NON-SERVICEABLE) CEAT
10	43130-24A70-000	VALVE ASSY,WHEEL RIM (TR412)	1	
11	59218-34J00-000	BOLT,FRONT BRAKE DISC	4	
12	59221-08K00-000	DISC,FRONT BRAKE,L	1	
13	54741-02L00-000	SPACER,FR AXLE R	1	

530F



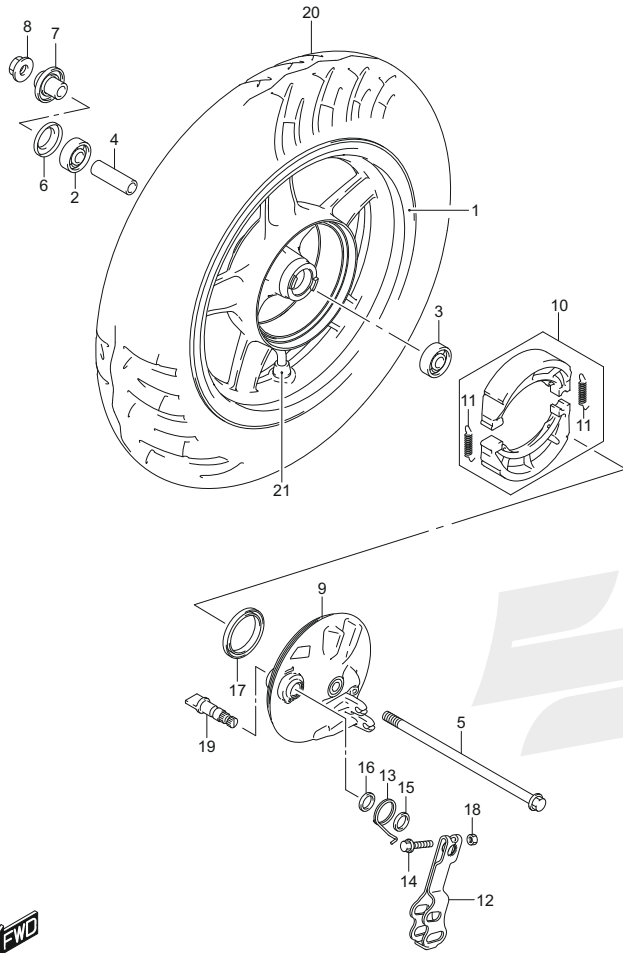
530F (H-6) FRONT WHEEL (UZ125NDW)

REF NO.	PART NO.	DESCRIPTION	QTY	REMARKS
1	54150-08K00-019	WHEEL,FRONT (BLACK)	1	
2	08113-6300B-000	BEARING,FRONT HUB,R	1	
3	08123-6200B-000	BEARING,FRONT HUB,L	1	
4	09180-10071-000	SPACER (10.4X15X48)	1	
5	54711-11F00-000	AXLE,FRONT	1	
6	54841-23J00-000	SEAL,FRONT HUB DUST (17X38X5)	1	
7	54740-08K00-000	SPACER,FRONT AXLE,R	1	
8	64147-33G10-000	NUT,FRONT HUB	1	
9	54210-08K30-019	PANEL,FRONT BRAKE ANCHOR (BLACK)	1	
10	54400-08820-000	SHOE SET,BRAKE	1	
11	54424-28G00-000	.SPRING	2	
12	54451-08K00-000	LEVER,FRONT BRAKE CAM	1	
13	09448-30009-000	SPRING	1	
14	54455-08K00-000	BOLT,BRAKE CAM LEVER	1	
15	09160-14055-000	WASHER (14.5X22X1.6)	1	
16	54443-28G00-000	O-RING	1	
17	54267-33G00-000	SEAL,FR BRAKE PANEL OIL	1	
18	08310-0006A-000	NUT	1	
19	54441-08K10-000	CAM,FRONT BRAKE	1	
20-1	55110-08K51-000	TIRE (90/90-12 54J)	1	(NON-SERVICEABLE) CEAT
20-2	55110-08K01-000	TIRE	1	(NON-SERVICEABLE) MRF
21	43130-41D90-000	VALVE ASSY,WHEEL RIM (PVR70)	1	

530G

530G (H-7) FRONT WHEEL (UZ125NDY)

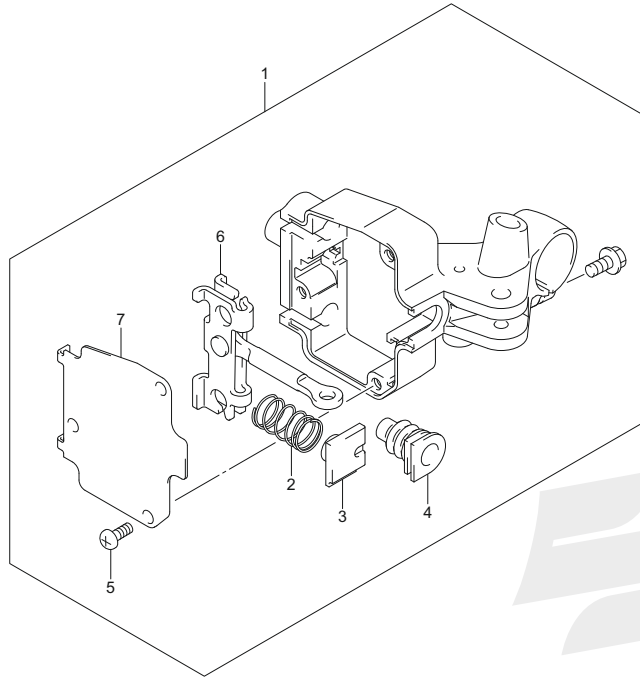
4



REF NO.	PART NO.	DESCRIPTION	QTY	REMARKS
1-1	54150-08K00-13L	WHEEL,FRONT (12X2.15,SILVER)	1	BODY COLOR:YPA
1-2	54150-08K00-019	WHEEL,FRONT (BLACK)	1	BODY COLOR:YKV,QMV,QTZ
2	08113-6300B-000	BEARING,FRONT HUB,R	1	
3	08123-6200B-000	BEARING,FRONT HUB,L	1	
4	09180-10071-000	SPACER (10.4X15X48)	1	
5	54711-11F00-000	AXLE,FRONT	1	
6	54841-23J00-000	SEAL,FRONT HUB DUST (17X38X5)	1	
7	54740-08K00-000	SPACER,FRONT AXLE,R	1	
8	64147-33G10-000	NUT,FRONT HUB	1	
9-1	54210-08K30-13L	PANEL,FRONT BRAKE ANCHOR (SILVER)	1	BODY COLOR:YPA
9-2	54210-08K30-019	PANEL,FRONT BRAKE ANCHOR (BLACK)	1	BODY COLOR:YKV,QMV,QTZ
10	54400-08820-000	SHOE SET,BRAKE	1	
11	54424-28G00-000	.SPRING	2	
12	54451-08K00-000	LEVER,FRONT BRAKE CAM	1	
13	09448-30009-000	SPRING	1	
14	54455-08K00-000	BOLT,BRAKE CAM LEVER	1	
15	09160-14055-000	WASHER (14.5X22X1.6)	1	
16	54443-28G00-000	O-RING	1	
17	54267-33G00-000	SEAL,FR BRAKE PANEL OIL	1	
18	08310-0006A-000	NUT	1	
19	54441-08K10-000	CAM,FRONT BRAKE	1	
20-1	55110-08K51-000	TIRE (90/90-12 54J)	1	(NON-SERVICEABLE) CEAT
20-2	55110-08K01-000	TIRE	1	(NON-SERVICEABLE) MRF
21	43130-41D90-000	VALVE ASSY,WHEEL RIM (PVR70)	1	

531A

531A (H-8) FRONT WHEEL BRAKE (UZ125ND,UZ125NDW,
UZ125NDY,UZ125NH)



REF NO.	PART NO.	DESCRIPTION	QTY	REMARKS
1	55900-08K30-000	UNIT ASSY,COMBINED BRAKE	1	
2	55935-08K20-000	.SPRING,DELAY	1	
3	55937-08K20-000	.STOPPER	1	
4	55954-08K20-000	.BOOT,COMBINED BRAKE ROD	1	
5	02112-0510A-000	.SCREW	3	
6	55930-08K30-000	.EQUALIZER	1	
7	55953-08K20-000	.CAP,COMBINED BRAKE UNIT	1	

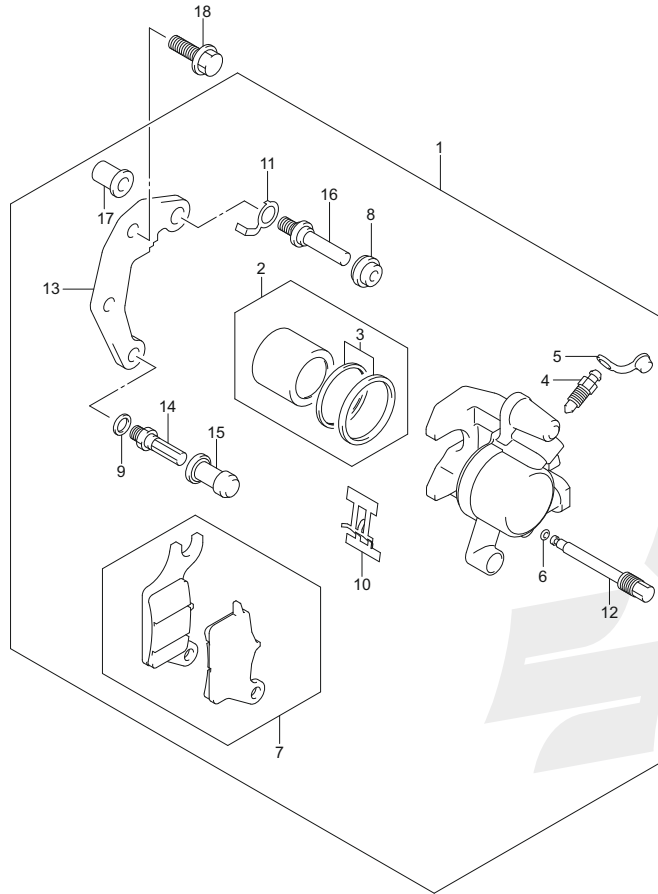
4



535A

535A (H-9) FRONT CALIPER (UZ125NE,UZ125NEW,UZ125NEY)

4



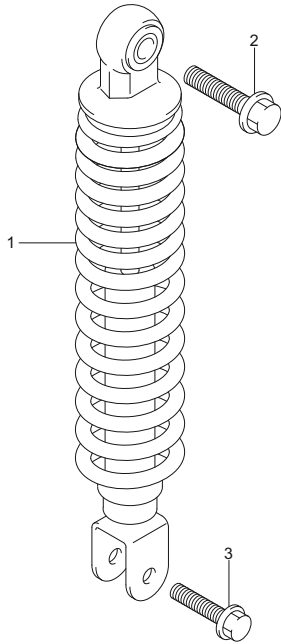
REF NO.	PART NO.	DESCRIPTION	QTY	REMARKS
1	59300-08K50-000	CALIPER ASSY,FRONT	1	
2	59300-08860-000	.PISTON SET	1	
3	59100-38860-000	..SEAL SET,PISTON	1	
4	59121-01A00-000	.BLEEDER	1	
5	59122-01A00-000	.CAP,BLEEDER	1	
6	59145-37F00-000	.RING,STOPPER	1	
7	59300-08850-000	.PAD SET	1	
8	59303-14500-000	.BOOT	1	
9	59314-13A00-000	.WASHER	1	
10	59315-08K00-000	.SPRING, PAD	1	
11	59333-08K00-000	.RETAINER BRACKET	1	
12	59345-08K00-000	.PIN HANGER	1	
13	59351-08K00-000	.BRACKET FR	1	
14	59382-13A00-000	.BOLT	1	
15	59386-13A00-000	.BOOT	1	
16	59387-41HA0-000	.PIN,BOLT	1	
17	59388-41HA0-000	.NUT	1	
18	01550-0825A-000	BOLT	2	



545A

**545A (H-11) REAR SHOCK ABSORBER (UZ125ND,UZ125NDW,
UZ125NDY,UZ125NH)**

REF NO.	PART NO.	DESCRIPTION	QTY	REMARKS
1	62100-08K00-000	ABSORBER ASSY,REAR SHOCK	1	
2	01550-1040A-000	BOLT	1	
3	01550-0835A-000	BOLT (8X35)	1	



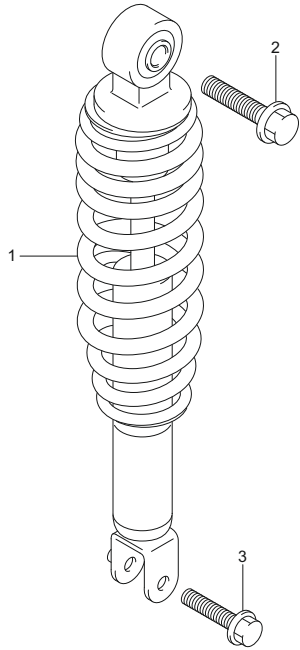
4



545B

**545B (H-12) REAR SHOCK ABSORBER (UZ125NE,
UZ125NEW,UZ125NEY)**

REF NO.	PART NO.	DESCRIPTION	QTY	REMARKS
1	62100-08K10-000	ABSORBER ASSY,REAR SHOCK	1	
2	01550-1040A-000	BOLT	1	
3	01550-0835A-000	BOLT (8X35)	1	



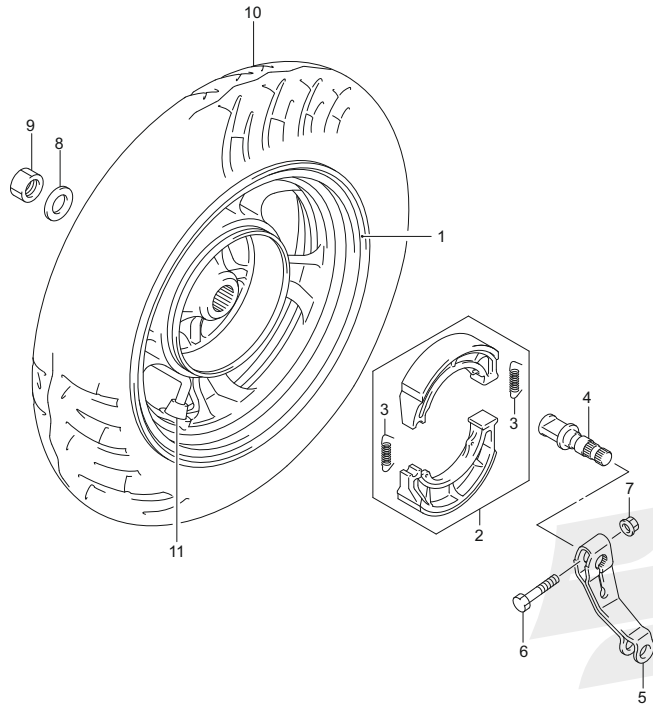
4



550A

550A (H-13) REAR WHEEL (UZ125ND)

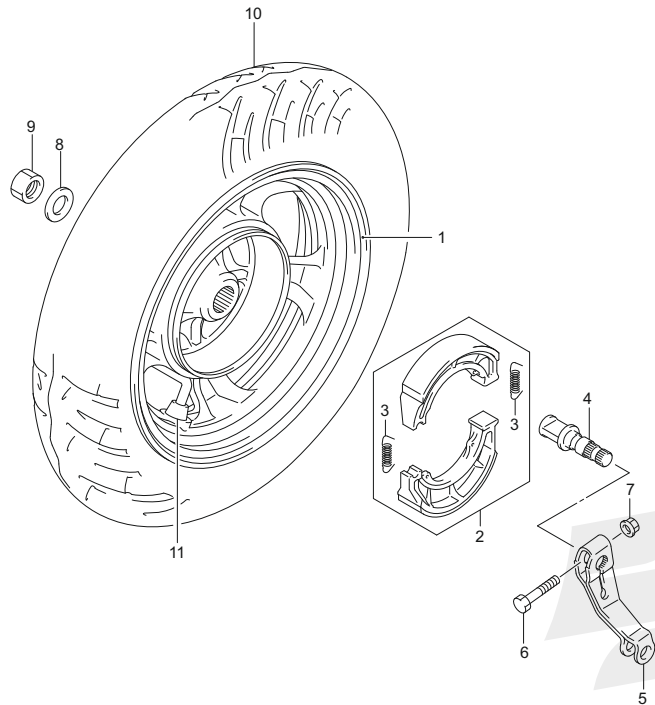
REF NO.	PART NO.	DESCRIPTION	QTY	REMARKS
1	64150-08K00-13L	WHEEL,REAR (10X2.15,SILVER)	1	
2	64400-08K10-000	SHOE SET,REAR BRAKE	1	
3	54424-28G00-000	.SPRING	2	
4	64441-09J20-000	CAM,REAR BRAKE	1	
5	64451-09J80-000	LEVER,REAR BRAKE CAM	1	
6	09100-06139-000	BOLT (6X31)	1	
7	08316-1006A-000	NUT (6X12)	1	
8	64723-39J00-000	WASHER,REAR AXLE	1	
9	08319-2116A-000	NUT	1	
10-1	55110-25J51-000	TIRE (90/100-10 53J)	1	(NON-SERVICEABLE) CEAT
10-2	55110-25J01-000	TIRE	1	(NON-SERVICEABLE) MRF
11	43130-41D90-000	VALVE ASSY,WHEEL RIM (PVR70)	1	



4



550B



550B (H-14) REAR WHEEL (UZ125NE)

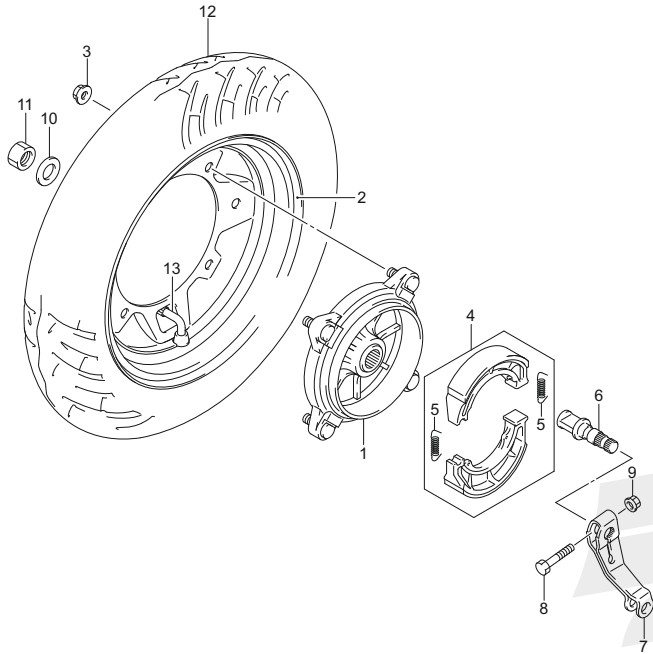
REF NO.	PART NO.	DESCRIPTION	QTY	REMARKS
1	64150-08K00-13L	WHEEL,REAR (10X2.15,SILVER)	1	
2	64400-08K10-000	SHOE SET,REAR BRAKE	1	
3	54424-28G00-000	.SPRING	2	
4	64441-09J20-000	CAM,REAR BRAKE	1	
5	64451-09J80-000	LEVER,REAR BRAKE CAM	1	
6	09100-06139-000	BOLT (6X31)	1	
7	08316-1006A-000	NUT (6X12)	1	
8	64723-39J00-000	WASHER,REAR AXLE	1	
9	08319-2116A-000	NUT	1	
10-1	55110-25J20-000	TIRE	1	(NON-SERVICEABLE) MAXXIS
10-2	55110-25J51-000	TIRE (90/100-10 53J)	1	(NON-SERVICEABLE) CEAT
11	43130-41D90-000	VALVE ASSY,WHEEL RIM (PVR70)	1	



550C

550C (H-15) REAR WHEEL (UZ125NH)

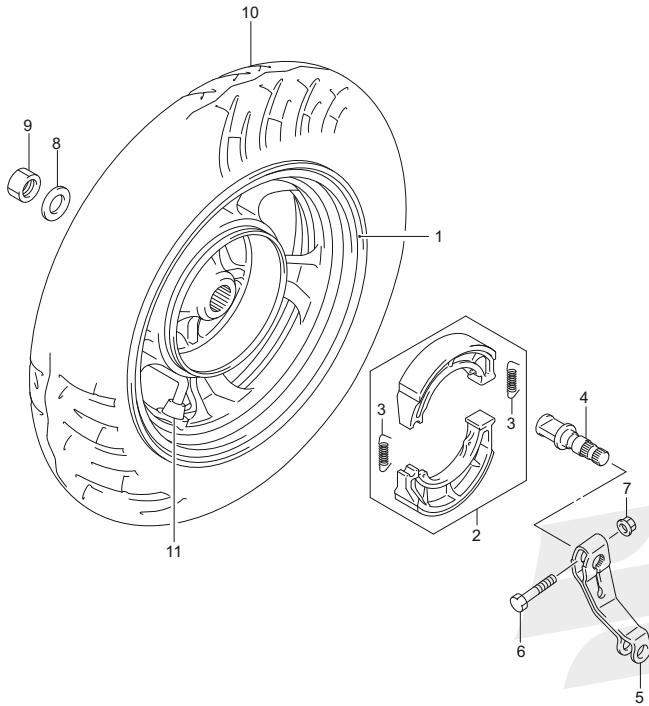
4



REF NO.	PART NO.	DESCRIPTION	QTY	REMARKS
1-1	64110-02L00-13L	HUB,REAR WHEEL (SILVER)	1	
1-2	64110-02L10-13L	HUB,REAR WHEEL (SILVER)	1	
2	55310-39J10-13L	RIM,WHEEL (10X2.15,SILVER)	1	
3	64147-33G10-000	NUT,FRONT HUB	4	
4	64400-08K10-000	SHOE SET,REAR BRAKE	1	
5	54424-28G00-000	.SPRING	2	
6	64441-09J20-000	CAM,REAR BRAKE	1	
7	64451-09J80-000	LEVER,REAR BRAKE CAM	1	
8	09100-06139-000	BOLT (6X31)	1	
9	08316-1006A-000	NUT (6X12)	1	
10	64723-39J00-000	WASHER,REAR AXLE	1	
11	08319-2116A-000	NUT	1	
12-1	55110-25J51-000	TIRE (90/100-10 53J)	1	(NON-SERVICEABLE) CEAT
12-2	55110-25J01-000	TIRE	1	(NON-SERVICEABLE) MRF
13	43130-41D90-000	VALVE ASSY,WHEEL RIM (PVR70)	1	



550D



550D (H-16) REAR WHEEL (UZ125NDW)

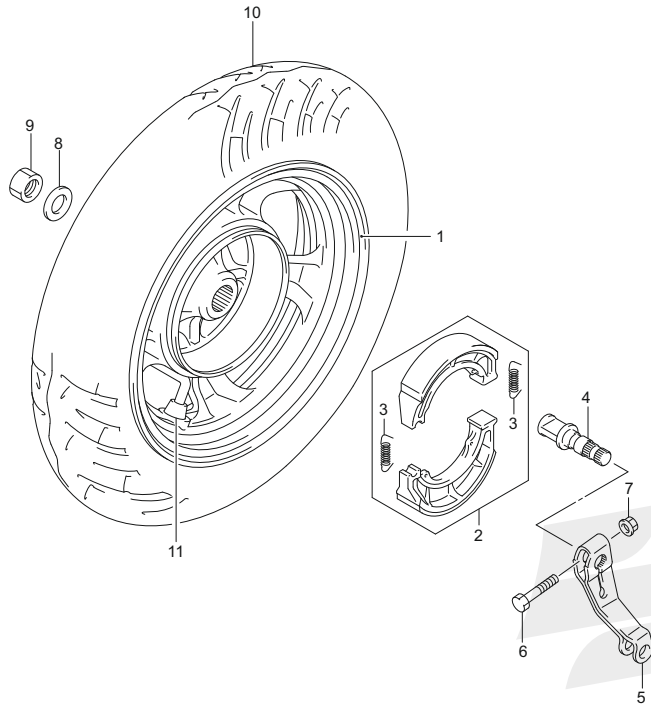
REF NO.	PART NO.	DESCRIPTION	QTY	REMARKS
1	64150-08K00-019	WHEEL,REAR (10X2.15,BLACK)	1	
2	64400-08K10-000	SHOE SET,REAR BRAKE	1	
3	54424-28G00-000	.SPRING	2	
4	64441-09J20-000	CAM,REAR BRAKE	1	
5	64451-09J80-000	LEVER,REAR BRAKE CAM	1	
6	09100-06139-000	BOLT (6X31)	1	
7	08316-1006A-000	NUT (6X12)	1	
8	64723-39J00-000	WASHER,REAR AXLE	1	
9	08319-2116A-000	NUT	1	
10-1	55110-25J51-000	TIRE (90/100-10 53J)	1	(NON-SERVICEABLE)
10-2	55110-25J01-000	TIRE	1	CEAT (NON-SERVICEABLE) MRF
11	43130-41D90-000	VALVE ASSY,WHEEL RIM (PVR70)	1	



550E

550E (I-2) REAR WHEEL (UZ125NDY)

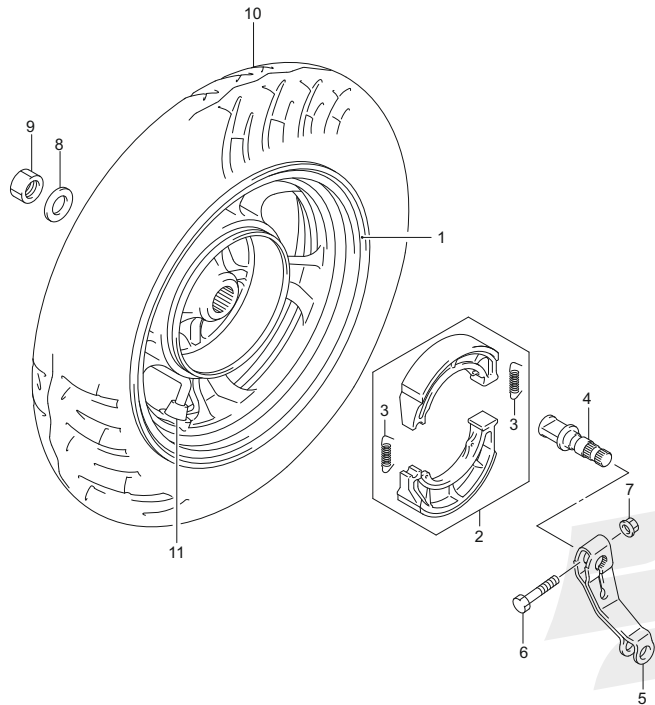
REF NO.	PART NO.	DESCRIPTION	QTY	REMARKS
1-1	64150-08K00-019	WHEEL,REAR (10X2.15,BLACK)	1	BODY COLOR:YKV,QMV,QTZ
1-2	64150-08K00-13L	WHEEL,REAR (10X2.15,SILVER)	1	BODY COLOR:YPA
2	64400-08K10-000	SHOE SET,REAR BRAKE	1	
3	54424-28G00-000	.SPRING	2	
4	64441-09J20-000	CAM,REAR BRAKE	1	
5	64451-09J80-000	LEVER,REAR BRAKE CAM	1	
6	09100-06139-000	BOLT (6X31)	1	
7	08316-1006A-000	NUT (6X12)	1	
8	64723-39J00-000	WASHER,REAR AXLE	1	
9	08319-2116A-000	NUT	1	
10-1	55110-25J51-000	TIRE (90/100-10 53J)	1	(NON-SERVICEABLE) CEAT
10-2	55110-25J01-000	TIRE	1	(NON-SERVICEABLE) MRF
11	43130-41D90-000	VALVE ASSY,WHEEL RIM (PVR70)	1	



4



550F



550F (I-3) REAR WHEEL (UZ125NEW)

REF NO.	PART NO.	DESCRIPTION	QTY	REMARKS
1	64150-08K00-019	WHEEL,REAR (10X2.15,BLACK)	1	
2	64400-08K10-000	SHOE SET,REAR BRAKE	1	
3	54424-28G00-000	.SPRING	2	
4	64441-09J20-000	CAM,REAR BRAKE	1	
5	64451-09J80-000	LEVER,REAR BRAKE CAM	1	
6	09100-06139-000	BOLT (6X31)	1	
7	08316-1006A-000	NUT (6X12)	1	
8	64723-39J00-000	WASHER,REAR AXLE	1	
9	08319-2116A-000	NUT	1	
10-1	55110-25J20-000	TIRE	1	MAXXIS
10-2	55110-25J51-000	TIRE (90/100-10 53J)	1	CEAT
11	43130-41D90-000	VALVE ASSY,WHEEL RIM (PVR70)	1	

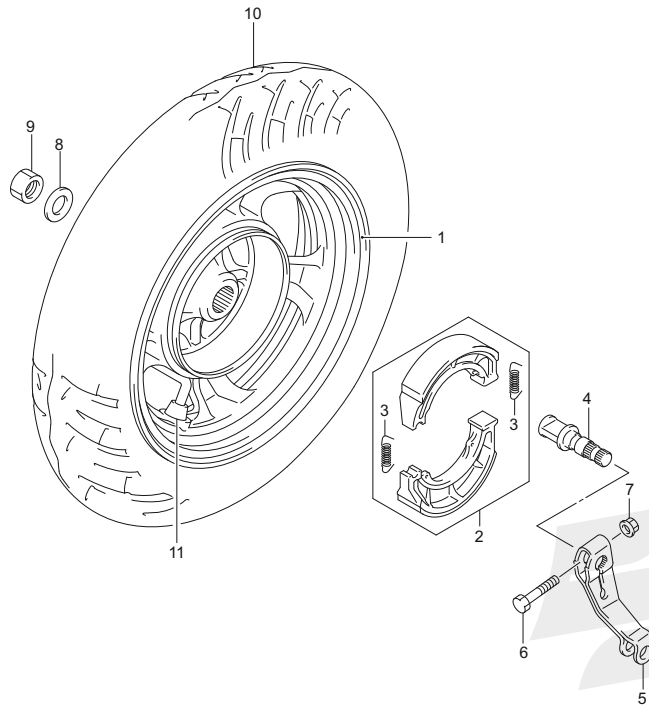
4



550G

550G (I-4) REAR WHEEL (UZ125NEY)

REF NO.	PART NO.	DESCRIPTION	QTY	REMARKS
1-1	64150-08K00-019	WHEEL,REAR (10X2.15,BLACK)	1	BODY COLOR:YKV,QMV,QTZ
1-2	64150-08K00-13L	WHEEL,REAR (10X2.15,SILVER)	1	BODY COLOR:YPA
2	64400-08K10-000	SHOE SET,REAR BRAKE	1	
3	54424-28G00-000	.SPRING	2	
4	64441-09J20-000	CAM,REAR BRAKE	1	
5	64451-09J80-000	LEVER,REAR BRAKE CAM	1	
6	09100-06139-000	BOLT (6X31)	1	
7	08316-1006A-000	NUT (6X12)	1	
8	64723-39J00-000	WASHER,REAR AXLE	1	
9	08319-2116A-000	NUT	1	
10-1	55110-25J20-000	TIRE	1	(NON-SERVICEABLE) MAXXIS
10-2	55110-25J51-000	TIRE (90/100-10 53J)	1	(NON-SERVICEABLE) CEAT
11	43130-41D90-000	VALVE ASSY,WHEEL RIM (PVR70)	1	



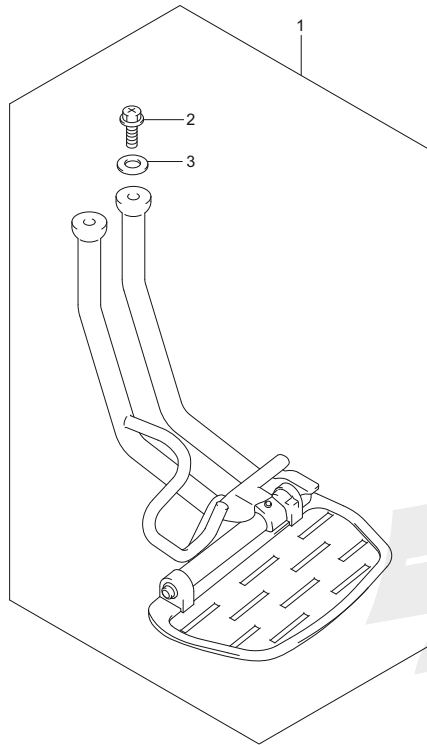
4



970A

970A (I-5) OPTIONAL (TUBE SET, RR FOOTREST SIDE)

REF NO.	PART NO.	DESCRIPTION	QTY	REMARKS
1	43600-02810-000	TUBE SET,RR FOOTREST SIDE	1	
2	01550-0830B-000	BOLT	2	
3	09160-08501-000	WASHER (8.5X24X2.3)	2	



4

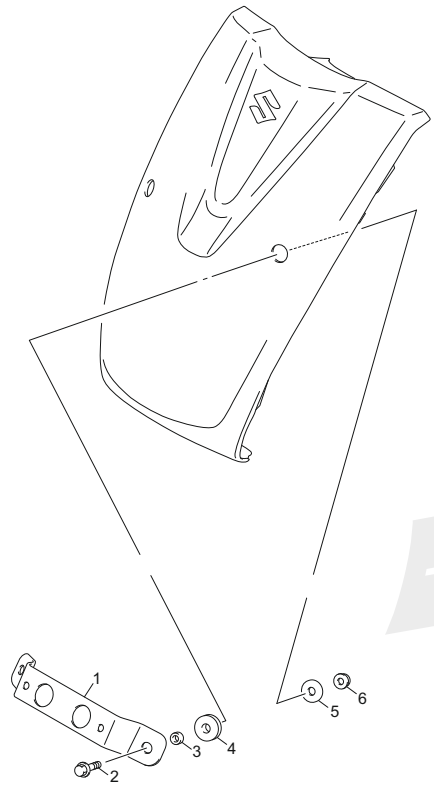


970B

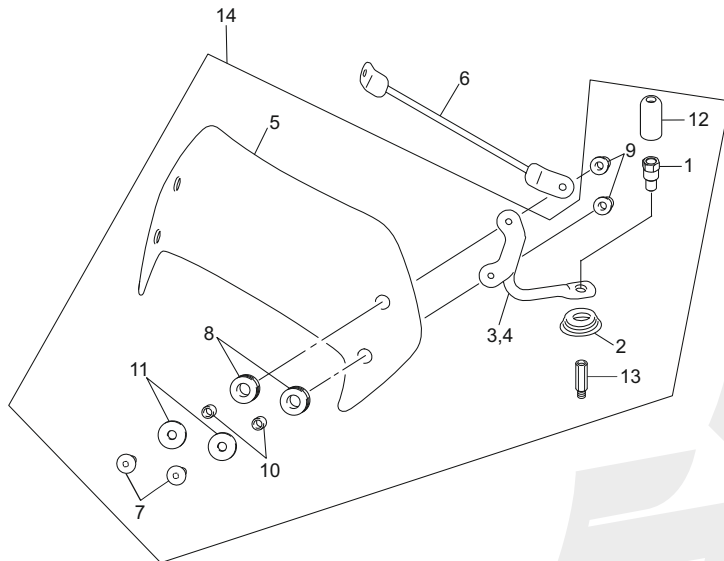
970B (I-6) (FRONT LICENSE PLATE)

REF NO.	PART NO.	DESCRIPTION	QTY	REMARKS
1	48191-08K00-000	BRACKET, FRONT LICENSE	1	
2	01550-0616A-000	BOLT	2	
3	09180-06082-000	SPACER (6.5X10.5X6.5)	2	
4	47161-23J00-000	CUSHION, FRAME COVER UPPER	2	
5	09160-06060-000	WASHER	2	
6	08316-1006A-000	NUT	2	

4



970C



970C (I-7) OPTIONAL (METER VISOR)

REF NO.	PART NO.	DESCRIPTION	QTY	REMARKS
1	56533-02L00-000	BOLT, ADAPTER UNDER	2	
2	94614-02L00-000	BOOT, MIRROR LOWER	2	
3	94620-02L00-000	BRACE, METER VISOR, R	1	
4	94630-02L00-000	BRACE, METER VISOR, L	1	
5	94611-02L00-000	VISOR, METER	1	
6	94640-02L00-000	JIG, METER VISOR BRACE	1	
7	09139-06028-000	SCREW (6*20)	4	
8	94612-02L00-000	CUSHION METER VISOR	4	
9	08313-2006B-000	NUT	4	
10	09180-06263-000	SPACER (6.5*9*9)	4	
11	09160-06088-000	WASHER (6.5*20*1.6)	4	
12	94613-02L00-000	BOOT MIRROR UPPER	2	
13	56633-33G60-000	BOLT, ADAPTER UPPER	2	
14	94600-02810-000	VISOR SET, METER	1	

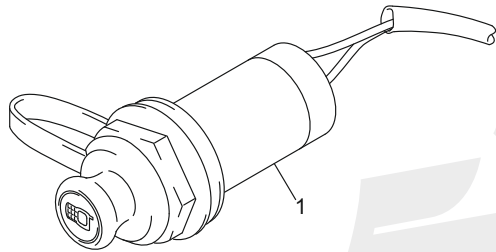
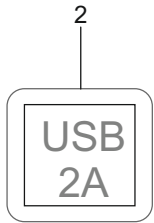
970D

970D (I-8) OPTIONAL (SOCKET SET, USB)



REF NO.	PART NO.	DESCRIPTION	QTY	REMARKS
1	39105-44K00-000	SOCKET USB	1	
2	38852-44K10-000	LABEL, USB AMP	1	

4



PARTS NUMBER INDEX

PART NO.	FIG. NO.-REFNO.	PART NO.	FIG. NO.-REFNO.	PART NO.	FIG. NO.-REFNO.
00000		01550-0612A-000	438A 6	02142-0512A-000	463D 6
		01550-0612A-000	438B 6	02142-0512B-000	463A 4
		01550-0612A-000	438C 6	02142-0512B-000	463B 4
		01550-0612A-000	438D 6	02142-0512B-000	463C 4
		01550-0612A-000	456A 2	02142-0512B-000	463D 4
01421-0616A-000	163A 4	01550-0612A-000	460A 4	02142-0612A-000	537A 19
01421-0625A-000	103A 9	01550-0612A-000	460B 4	02162-0625A-000	312A 3
01547-0610A-000	172A 12	01550-0612A-000	460C 4	03541-0416A-000	463A 7
01547-0610A-000	172A 13	01550-0612A-000	460D 4	03541-0416A-000	463B 7
01547-0610A-000	172A 14	01550-0612A-000	474A 2	03541-0416A-000	463C 7
01547-0610A-000	427A 15	01550-0612A-000	537A 26	03541-0416A-000	463D 7
01547-0610A-000	462A 19	01550-0616A-000	970B 2	03541-0416B-000	463A 5
01547-0610A-000	462A 22	01550-0616A-000	352A 2	03541-0416B-000	463B 5
01547-0610A-000	462B 19	01550-0616A-000	460A 3	03541-0416B-000	463C 5
01547-0610A-000	462B 22	01550-0616A-000	460B 3	03541-0416B-000	463D 5
01547-0610A-000	462C 17	01550-0616A-000	460C 3	03541-0512A-000	427A 16
01547-0610A-000	462C 20	01550-0616A-000	460D 3	03541-0512A-000	435A 9
01547-0610A-000	462D 17	01550-0616A-000	537A 29	03541-0512A-000	435B 9
01547-0610A-000	462D 20	01550-0616B-000	163A 13	03541-0512A-000	435C 9
01547-0612A-000	112A 8	01550-0812A-000	107A 6	03541-0512A-000	435D 9
01547-0612A-000	537A 15	01550-0812A-000	108A 11	03541-0516A-000	181A 7
01547-0620A-000	127A 8	01550-0812A-000	108A 13	03541-0516A-000	181A 10
01547-0620A-000	140A 12	01550-0825A-000	535A 18	03541-0516A-000	330A 5
01547-0620A-000	312A 9	01550-0830A-000	405A 2	03541-0516A-000	330B 2
01547-0620A-000	467A 10	01550-0830A-000	405B 2	03541-0516A-000	438A 3
01547-0620A-000	467A 18	01550-0830A-000	505A 13	03541-0516A-000	438A 5
01547-0620A-000	467B 6	01550-0830A-000	505B 13	03541-0516A-000	438B 3
01547-0625A-000	112A 5	01550-0830A-000	505C 13	03541-0516A-000	438B 5
01547-0625A-000	170A 5	01550-0830B-000	970A 2	03541-0516A-000	438C 3
01547-0625A-000	181A 6	01550-0835A-000	545A 3	03541-0516A-000	438C 5
01547-0625A-000	181A 9	01550-0835A-000	545B 3	03541-0516A-000	438D 3
01547-0630A-000	108A 17	01550-1040A-000	163A 5	03541-0516A-000	438D 5
01547-0630A-000	301A 14	01550-1040A-000	545A 2	03541-0516A-000	440A 6
01547-0655A-000	108A 5	01550-1040A-000	545B 2	03541-0516A-000	440B 6
01547-0655A-000	108A 18	02112-0510A-000	102A 7	03541-0516A-000	440C 6
01547-0680A-000	170A 8	02112-0510A-000	531A 5	03541-0516A-000	440D 6
01547-0690A-000	112A 6	02112-0525A-000	467A 3	03541-0516A-000	440E 6
01547-0695A-000	108A 6	02112-0525A-000	467B 3	03541-0516A-000	440F 6
01550-0510A-000	462A 12	02112-0612A-000	103A 12	03541-0516A-000	445A 9
01550-0510A-000	462B 12	02112-0612A-000	505A 8	03541-0516A-000	445A 10
01550-0510A-000	462C 29	02112-0612A-000	505B 8	03541-0516A-000	445A 20
01550-0510A-000	462D 29	02112-0612A-000	505C 8	03541-0516A-000	445A 21
01550-0510A-000	537A 28	02112-34063-000	301A 10	03541-0516A-000	445B 9
01550-0512A-000	126A 13	02112-34088-000	301A 11	03541-0516A-000	445B 10
01550-0610A-000	462C 25	02112-3510A-000	352A 4	03541-0516A-000	445B 20
01550-0610A-000	462D 25	02112-3512A-000	301A 12	03541-0516A-000	445B 21
01550-0612A-000	181A 2	02122-0616A-000	211A 18	03541-0516A-000	445C 9
01550-0612A-000	335A 7	02142-0510B-000	462A 25	03541-0516A-000	445C 10
01550-0612A-000	335B 11	02142-0510B-000	462B 25	03541-0516A-000	445C 20
01550-0612A-000	350A 14	02142-0510B-000	462C 30	03541-0516A-000	445C 21
01550-0612A-000	350B 14	02142-0510B-000	462D 30	03541-0516A-000	445D 9
01550-0612A-000	435A 8	02142-0512A-000	456A 7	03541-0516A-000	445D 10
01550-0612A-000	435B 8	02142-0512A-000	463A 6	03541-0516A-000	445D 20
01550-0612A-000	435C 8	02142-0512A-000	463B 6	03541-0516A-000	445D 21
01550-0612A-000	435D 8	02142-0512A-000	463C 6	03541-0516A-000	456A 10

PART NO.	FIG. NO.-REFNO.	PART NO.	FIG. NO.-REFNO.	PART NO.	FIG. NO.-REFNO.
03541-0516A-000	505A 5	08310-0006A-000	530B 18	09100-06139-000	550G 6
03541-0516A-000	505B 5	08310-0006A-000	530C 20	09103-06247-000	127A 4
03541-0516A-000	505C 5	08310-0006A-000	530F 18	09103-06501-000	103A 6
03541-0516B-000	440A 7	08310-0006A-000	530G 18	09103-10126-000	462A 3
03541-0516B-000	440B 7	08313-2006B-000	970C 9	09103-10126-000	462B 3
03541-0516B-000	440C 7	08316-1005A-000	339A 10	09103-10126-000	462C 3
03541-0516B-000	440D 7	08316-1006A-000	474A 11	09103-10126-000	462D 3
03541-0516B-000	440E 7	08316-1006A-000	970B 6	09106-05028-000	126A 4
03541-0516B-000	440F 7	08316-1006A-000	103A 10	09108-08302-000	107A 3
03541-0520A-000	155A 13	08316-1006A-000	163A 6	09111-06072-000	440A 2
03541-0520A-000	445A 15	08316-1006A-000	550A 7	09111-06072-000	440B 2
03541-0520A-000	445B 15	08316-1006A-000	550B 7	09111-06072-000	440C 2
03541-0520A-000	445C 15	08316-1006A-000	550C 9	09111-06072-000	440D 2
03541-0520A-000	445D 15	08316-1006A-000	550D 7	09111-06072-000	440E 2
03541-0520A-000	456A 14	08316-1006A-000	550E 7	09111-06072-000	440F 2
03541-0520A-000	456A 15	08316-1006A-000	550F 7	09111-06109-000	445A 18
03541-0520A-000	462A 23	08316-1006A-000	550G 7	09111-06109-000	445B 18
03541-0520A-000	462B 23	08316-1008A-000	103A 4	09111-06109-000	445C 18
03541-0520A-000	462C 23	08316-1010A-000	108A 9	09111-06109-000	445D 18
03541-0520A-000	462D 23	08316-1010A-000	303A 7	09113-06010-000	474A 4
03541-0616A-000	435A 11	08319-2105A-000	467A 9	09116-06097-000	420A 8
03541-0616A-000	435B 11	08319-2105A-000	467A 17	09116-06103-000	155A 17
03541-0616A-000	435C 11	08319-2105A-000	467B 7	09119-06138-000	102A 5
03541-0616A-000	435D 11	08319-2105A-000	467B 16	09136-05051-000	333A 4
04111-2515A-000	415A 6	08319-2116A-000	550A 9	09139-05092-000	339A 6
04111-3020A-000	407A 4	08319-2116A-000	550B 9	09139-06028-000	970C 7
06111-06004-000	524A 7	08319-2116A-000	550C 11	09139-06165-000	462A 27
06111-06004-000	524A 9	08319-2116A-000	550D 9	09139-06165-000	462B 27
06111-06004-000	524B 7	08319-2116A-000	550E 9	09139-06165-000	462C 32
06111-06004-000	524B 9	08319-2116A-000	550F 9	09139-06165-000	462D 32
06112-07004-000	240A 11	08319-2116A-000	550G 9	09139-06198-000	163A 7
07130-0612A-000	303A 5	08319-3108A-000	530C 3	09139-06205-000	460A 5
07130-0612A-000	303A 6	08319-3110A-000	401A 6	09139-06205-000	460B 5
07130-0616A-000	330A 7	08322-0105A-000	435A 12	09139-06205-000	460C 5
07130-0616A-000	330B 4	08322-0105A-000	435B 12	09139-06205-000	460D 5
07130-0625A-000	140A 14	08322-0105A-000	435C 12	09140-12055-000	210A 23
07130-0625A-000	303A 4	08322-0105A-000	435D 12	09140-12055-000	210A 27
08110-6202A-000	211A 6	08322-0105A-000	474A 8	09140-28004-000	210A 14
08110-62030-000	211A 15	08322-0106A-000	440A 9	09148-05060-000	445A 7
08113-6300B-000	530B 2	08322-0106A-000	440B 10	09148-05060-000	445A 8
08113-6300B-000	530C 4	08322-0106A-000	440C 10	09148-05060-000	445A 11
08113-6300B-000	530F 2	08322-0106A-000	440D 10	09148-05060-000	445B 7
08113-6300B-000	530G 2	08322-0106A-000	440E 9	09148-05060-000	445B 8
08123-6200B-000	530B 3	08322-0106A-000	440F 10	09148-05060-000	445B 11
08123-6200B-000	530C 5	08331-31149-000	240A 5	09148-05060-000	445C 7
08123-6200B-000	530F 3	08331-31249-000	211A 11	09148-05060-000	445C 8
08123-6200B-000	530G 3	08332-1103A-000	467B 20	09148-05060-000	445C 11
08133-6300B-000	530A 2	08332-11059-000	170A 4	09148-05060-000	445D 7
08133-6300B-000	530A 3	08341-31039-000	303A 8	09148-05060-000	445D 8
08133-6300B-000	530D 2	09100-06139-000	550A 6	09148-05060-000	445D 11
08133-6300B-000	530D 3	09100-06139-000	550B 6	09148-05060-000	474A 5
08133-6300B-000	530E 2	09100-06139-000	550C 8	09150-06010-000	462A 17
08133-6300B-000	530E 3	09100-06139-000	550D 6	09150-06010-000	462B 17
08211-12223-000	210A 24	09100-06139-000	550E 6	09150-06010-000	462C 15
08211-12223-000	210A 28	09100-06139-000	550F 6	09150-06010-000	462D 15

PART NO.	FIG. NO.-REFNO.	PART NO.	FIG. NO.-REFNO.	PART NO.	FIG. NO.-REFNO.
09160-05013-000	467A 6	09381-12001-000	120A 7	09448-30009-000	530F 13
09160-05013-000	467B 10	09383-08002-000	240A 9	09448-30009-000	530G 13
09160-06028-000	163A 8	09401-08001-000	427A 9	09462-00043-000	310A 5
09160-06060-000	970B 5	09401-09101-000	427A 10	09471-12128-000	339A 2
09160-06088-000	970C 11	09401-09101-000	427A 11	09471-12216-000	335B 3
09160-06151-000	163A 14	09401-09406-000	427A 17	09471-12216-000	335B 7
09160-08164-000	103A 5	09401-09L03-000	427A 21	09471-12226-000	335A 2
09160-08501-000	970A 3	09401-10401-000	427A 12	09471-12226-000	335A 4
09160-14053-000	240A 4	09401-12418-000	155A 8	09471-12226-000	335B 4
09160-14055-000	530B 15	09401-13102-000	427A 13	09471-12226-000	335B 8
09160-14055-000	530C 17	09401-14101-000	155A 9	09471-12226-000	339A 3
09160-14055-000	530F 15	09402-42001-000	112A 11	09481-15501-000	350A 2
09160-14055-000	530G 15	09402-46209-000	112A 10	09481-15501-000	350B 2
09166-24001-000	524A 10	09404-06429-000	172A 11	09481-20501-000	350A 3
09166-24001-000	524B 10	09404-06429-000	181A 12	09481-20501-000	350B 3
09168-06004-000	127A 5	09407-14L01-000	339A 11	09482-00645-000	103A 8
09168-08008-000	107A 5	09407-14L01-000	350A 6		
09168-08008-000	108A 10	09407-14L01-000	350B 6		
09168-08008-000	108A 12	09407-15408-000	350A 5		
09168-10033-000	537A 18	09407-15408-000	350B 5		
09180-06082-000	970B 3	09407-19407-000	350A 7		
09180-06263-000	970C 10	09407-19407-000	350B 7		
09180-06343-000	163A 9	09407-25L02-000	505A 11		
09180-10071-000	530B 4	09407-25L02-000	505B 11		
09180-10071-000	530C 6	09407-25L02-000	505C 11		
09180-10071-000	530F 4	09407-29403-000	350A 8	11110-02L00-000	103A 1
09180-10071-000	530G 4	09407-29403-000	350B 8	11141-35J00-000	103A 3
09181-12167-000	211A 3	09408-00343-000	427A 14	11170-02L10-000	102A 1
09181-25051-000	211A 13	09409-06L07-000	435A 5	11173-02L00-000	102A 2
09200-06057-000	415A 5	09409-06L07-000	435A 7	11176-02L00-000	102A 3
09206-08008-000	108A 16	09409-06L07-000	435B 5	11177-08K00-000	102A 4
09206-08008-000	112A 4	09409-06L07-000	435B 7	11186-02L00-000	102A 8
09206-08008-000	126A 5	09409-06L07-000	435C 5	11191-27E70-000	102A 6
09206-10014-000	108A 4	09409-06L07-000	435C 7	11210-02L00-0F0	107A 1
09206-10016-000	103A 7	09409-06L07-000	435D 5	11241-08K00-000	107A 2
09206-10016-000	107A 4	09409-06L07-000	435D 7	11301-08840-000	108A 1
09209-11002-000	462A 16	09409-06L07-000	445A 12	11315-39J00-000	108A 2
09209-11002-000	462B 16	09409-06L07-000	445A 13	11316-39J00-000	108A 3
09209-11002-000	462C 14	09409-06L07-000	445B 12	11325-09J00-000	108A 7
09209-11002-000	462D 14	09409-06L07-000	445B 13	11325-09J00-000	112A 2
09251-04004-000	427A 8	09409-06L07-000	445C 12	11340-08K50-000	112A 1
09261-05005-000	126A 6	09409-06L07-000	445C 13	11346-08K00-000	112A 7
09262-12034-000	211A 7	09409-06L07-000	445D 12	11383-39J10-000	112A 9
09262-12035-000	211A 8	09409-06L07-000	445D 13	11430-39840-000	108A 14
09262-20171-000	211A 4	09409-08L09-000	335A 6	11482-08K00-000	112A 3
09262-22041-000	211A 16	09409-08L09-000	335B 10	11484-39J30-000	108A 15
09280-17003-000	108A 20	09409-08L09-000	339A 8	11611-39J00-000	108A 8
09280-26013-000	140A 16	09409-08L09-000	445A 19	11971-09J00-000	108A 19
09283-16L03-000	120A 2	09409-08L09-000	445B 19	12100-08K50-050	120A 8
09283-20069-000	211A 5	09409-08L09-000	445C 19	12111-08K00-0F0	120A 4
09283-29007-000	211A 14	09409-08L09-000	445D 19	12140-08K50-000	120A 5
09289-05019-000	126A 20	09440-05005-000	240A 10	12151-43J00-000	120A 6
09320-08018-000	339A 7	09443-17026-000	407A 6	12200-08K51-000	120A 1
09320-08082-000	163A 10	09448-30009-000	530B 13	12227-08K00-000	120A 3
09381-10004-000	103A 2	09448-30009-000	530C 15	12710-02L00-000	126A 1

PART NO.	FIG. NO.-REFNO.	PART NO.	FIG. NO.-REFNO.	PART NO.	FIG. NO.-REFNO.
12714-34J10-000	126A 3	15722-02L00-000	140A 10	21248-08K00-000	210A 10
12740-08K00-000	126A 2	15810-02L00-000	172A 6	21431-33G00-000	210A 19
12760-08K10-000	127A 1	15830-02L00-000	140A 11	21471-08K00-000	210A 12
12771-08K00-000	127A 2	15891-02L00-000	172A 7	21472-08K10-000	210A 11
12800-42810-000	127A 1	15892-02L00-000	172A 8	21481-08K00-000	210A 20
12811-08K10-000	127A 3	15893-02L00-000	172A 9	21501-08K00-000	210A 13
12830-42K00-000	127A 6	15894-02L00-000	172A 10	21650-08K10-000	210A 21
12837-39J20-000	127A 7	16331-08K00-000	170A 1	24131-33G80-000	211A 1
12840-43J10-000	126A 8	16400-08K00-000	170A 2	24141-08K10-000	211A 9
12842-34J00-000	126A 9	16421-20E00-000	170A 3	24142-08K00-000	211A 12
12843-27A70-000	126A 10	16422-09J00-000	170A 6	24150-39J20-000	211A 2
12861-35J00-000	126A 11	16423-09J00-000	170A 7	24371-39J10-000	211A 10
12871-35J00-000	126A 12	16520-09J00-000	170A 9	24741-20A10-000	103A 11
12911-43J00-000	126A 14	16523-09J00-000	170A 10	24751-09J00-000	211A 17
12912-02L00-000	126A 15	16525-09J00-000	170A 12	26200-39J00-000	240A 6
12921-43J00-000	126A 16	16526-09J00-000	170A 11	26210-08K20-000	240A 1
12931-09G20-000	126A 17	17110-09J50-000	181A 1	26212-46G00-000	240A 2
12932-09G10-000	126A 18	17120-02L00-000	181A 3	26213-39J00-000	240A 3
12933-09G00-000	126A 19	17122-02L00-000	181A 4	26231-08K00-000	210A 26
12951-08K00-000	126A 7	17123-08K00-000	181A 5	26300-08K00-000	240A 7
13111-02L00-000	140A 13	17124-02L00-000	181A 11	26314-33G30-000	240A 12
13128-08K00-000	140A 15	17130-02L00-000	181A 8	26351-08K00-000	240A 8
13295-02L00-000	140A 7	18117-10K00-000	140A 2	27601-08K10-000	210A 25
13400-02L10-000	140A 1	18213-12K10-000	163A 15		
13417-02L00-000	140A 4	18560-02L00-000	427A 1		
13421-02L00-000	140A 5	18561-02L10-000	427A 2		
13438-09JA0-000	140A 3	18563-02L00-000	427A 3		
13602-02L00-000	140A 6	18567-02L00-000	427A 4		
13640-02L00-000	107A 7	18571-02L00-000	427A 5		
13700-02810-000	155A 18	18572-02L00-000	427A 6		
13700-02L10-000	155A 1	18573-02L00-000	427A 7		
13719-84150-000	339A 5				
13740-08K00-000	155A 3				
13746-08K00-000	155A 4				
13746-08K00-000	155A 6				
13755-54G00-000	155A 2				
13780-02L10-000	155A 7				
13825-08K00-000	155A 10				
13850-02L10-000	155A 14				
13856-02L10-000	155A 12				
13859-41B10-000	155A 15	21111-08K00-000	210A 1	31100-08K20-000	301A 1
13871-41H00-000	155A 11	21113-39J10-000	210A 2	31130-08K20-000	301A 2
13891-08K00-000	155A 5	21120-33G70-000	210A 3	31131-08K20-000	301A 3
14180-44K10-000	163A 11	21125-33G00-000	210A 4	31132-08K20-000	301A 4
14181-30A30-000	163A 1	21210-08K00-000	210A 5	31135-08K20-000	301A 5
14310-02L10-000	163A 2	21214-08K00-000	210A 16	31142-08K10-000	301A 6
14781-08K10-000	163A 3	21215-08K10-000	210A 15	31156-32G00-000	301A 7
14795-10FA0-000	163A 12	21216-08K00-000	210A 18	31157-08K20-000	301A 8
15100-02L00-000	172A 1	21220-08K00-000	210A 22	31173-08K20-000	301A 9
15121-02L00-000	172A 4	21240-08K01-000	210A 6	31370-32G00-000	301A 13
15201-02L00-000	172A 5	21243-08K00-000	210A 7	31497-39J00-000	303A 1
15420-02L00-000	172A 2	21245-09J00-000	210A 8	31800-23J20-000	312A 1
15424-09JB0-000	172A 3	21246-08K00-000	210A 9	32101-02L00-000	303A 2
15710-02L00-000	140A 8	21247-08K00-000	210A 17	32102-02L00-000	303A 3
15716-42J00-000	140A 9	21247-08K00-000	210A 29	32800-02L00-000	312A 2
				32920-02L20-000	312A 4
				33410-02L10-000	312A 5
				33510-08K00-000	312A 6
				33541-08K00-000	312A 7
				33542-08K00-000	312A 8
				33610-39J30-000	310A 1
				33652-29100-000	310A 4
				33652-39J00-000	310A 2
				33652-43J00-000	310A 3
				34100-02L10-000	330B 1

5

PART NO.	FIG. NO.-REFNO.	PART NO.	FIG. NO.-REFNO.	PART NO.	FIG. NO.-REFNO.
34100-02L00-000	330A 1	41100-02L20-000	401A 1	45148-20GJ0-000	505B 3
34152-02L00-000	330A 2	41170-09J10-000	401A 4	45148-20GJ0-000	505C 3
34154-02L20-000	330A 3	41180-39J30-000	401A 2	45211-08K00-000	505A 6
34383-10B00-000	330A 4	41184-39J00-000	401A 3	45211-08K00-000	505B 6
34810-02L00-000	172A 15	41185-08K00-000	401A 7	45211-08K00-000	505C 6
34990-44K01-000	330A 6	41185-09J00-000	401A 8	45271-32G10-000	505A 4
34990-44K01-000	330B 3	41189-39J00-000	401A 5	45271-32G10-000	505B 4
35100-02L10-000	333A 1	41540-02L20-000	405A 1	45271-32G10-000	505C 4
35157-34J00-000	474A 7	41540-02L30-000	405B 1	45280-08K20-000	505A 9
35194-23F00-000	333A 3	42100-02L00-000	407A 1	45280-08K20-000	505B 9
35529-02L10-000	333A 2	42211-39J00-000	407A 2	45280-08K20-000	505C 9
35601-02L00-000	335A 1	42251-32G00-000	407A 5	45700-33G70-000	505A 7
35601-08K20-000	335B 1	42275-25J00-000	407A 3	45700-33G70-000	505B 7
35602-02L00-000	335A 3	42278-44K00-000	407A 7	45700-33G70-000	505C 7
35602-08K20-000	335B 5	42310-08K00-000	407A 8	46211-02L00-13L	505A 12
35618-08K00-000	335B 2	42341-27K00-000	407A 11	46211-02L00-13L	505B 12-2
35638-08K00-000	335B 6	42421-33G20-000	407A 9	46211-02L00-13L	505C 12-2
35710-08KB0-000	339A 1	43130-24A70-000	530A 10	46211-02L00-YVB	505B 12-1
35950-20L00-000	474A 10	43130-24A70-000	530D 10	46211-02L00-YVB	505C 12-1
35970-28G00-000	339A 9	43130-24A70-000	530E 10	47111-08K04-PGZ	445D 1-6
36610-02L40-000	350A 1	43130-41D90-000	530B 21	47111-08K04-QMV	445B 1-5
36610-02L50-000	350B 1	43130-41D90-000	530C 23	47111-08K04-QMV	445C 1-3
36851-02L00-000	420A 5	43130-41D90-000	530F 21	47111-08K04-QMV	445D 1-5
36990-70F20-000	350A 4	43130-41D90-000	530G 21	47111-08K04-QS4	445A 1-4
36990-70F20-000	350B 4	43130-41D90-000	550A 11	47111-08K04-QTZ	445C 1-4
36990-70F20-000	505A 10	43130-41D90-000	550B 11	47111-08K04-SAB	445B 1-1
36990-70F20-000	505B 10	43130-41D90-000	550C 13	47111-08K04-SAB	445D 1-1
36990-70F20-000	505C 10	43130-41D90-000	550D 11	47111-08K04-YBA	445B 1-2
37100-08K10-000	352A 1	43130-41D90-000	550E 11	47111-08K04-YBA	445D 1-2
37155-08810-000	352A 3	43130-41D90-000	550F 11	47111-08K04-YKV	445A 1-1
37330-02L10-000	350A 9	43130-41D90-000	550G 11	47111-08K04-YKV	445C 1-1
37330-02L10-000	350B 9	43600-02810-000	970A 1	47111-08K04-YPA	445A 1-2
37420-02L10-000	350A 10	43610-28G01-000	415A 1	47111-08K04-YPA	445B 1-3
37420-02L10-000	350B 10	43612-33G01-000	415A 3	47111-08K04-YPA	445C 1-2
37510-33G40-000	350A 11	43631-09G00-000	415A 4	47111-08K04-YPA	445D 1-3
37510-33G40-000	350B 11	43710-28G01-000	415A 2	47111-08K04-YUA	445A 1-3
37520-33G11-000	350A 12	44110-02L00-000	420A 1	47111-08K04-YVB	445B 1-4
37520-33G11-000	350B 12	44200-02810-000	420A 2	47111-08K04-YVB	445D 1-4
37760-08K20-000	467B 21	44240-13H00-000	427A 19	47121-08K00-291	445B 6
37760-39J10-000	467A 11	44261-02L00-000	420A 6	47121-08K00-291	445C 6-1
37760-39J10-000	467A 19	44281-02L00-000	420A 3	47121-08K00-291	445D 6
37760-39J10-000	467B 11	44281-29C00-000	420A 4	47121-08K10-U1G	445A 6
38500-02L00-000	350A 13	44434-02L00-000	427A 20	47121-08K10-U1G	445C 6-2
38500-02L00-000	350B 13	44541-44J00-000	420A 9	47155-30H00-000	438A 7
38610-23J10-000	335A 5	44542-44J00-000	420A 10	47155-30H00-000	438B 7
38610-23J10-000	335B 9	44544-27K00-000	420A 7	47155-30H00-000	438C 7
38852-44K10-000	970D 2	44894-39J10-000	427A 18	47155-30H00-000	438D 7
39105-44K00-000	350A 15	45100-02L50-BBS	505A 1	47161-23J00-000	970B 4
39105-44K00-000	350B 15	45100-02L60-BEZ	505B 1-1	47211-02L00-PGZ	445D 2-6
39105-44K00-000	970D 1	45100-02L70-AVT	505B 1-2	47211-02L00-QMV	445B 2-5
		45100-02L80-B5F	505C 1	47211-02L00-QMV	445C 2-3
		45148-20GB0-000	505A 2	47211-02L00-QMV	445D 2-5
		45148-20GB0-000	505B 2	47211-02L00-QS4	445A 2-4
		45148-20GB0-000	505C 2	47211-02L00-QTZ	445C 2-4
		45148-20GJ0-000	505A 3	47211-02L00-SAB	445B 2-1

40000

PART NO.	FIG. NO.-REFNO.	PART NO.	FIG. NO.-REFNO.	PART NO.	FIG. NO.-REFNO.
47211-02L00-SAB	445D 2-1	47349-34J01-000	440D 11	48133-08K11-QMV	438C 2-3
47211-02L00-YBA	445B 2-2	47349-34J01-000	440F 9	48133-08K11-QMV	438D 2-5
47211-02L00-YBA	445D 2-2	47349-34J01-000	474A 9	48133-08K11-QS4	438A 2-4
47211-02L00-YKV	445A 2-1	48111-02L00-PGZ	435D 1-6	48133-08K11-QTZ	438C 2-4
47211-02L00-YKV	445C 2-1	48111-02L00-QMV	435B 1-5	48133-08K11-SAB	438B 2-1
47211-02L00-YPA	445A 2-2	48111-02L00-QMV	435C 1-3	48133-08K11-SAB	438D 2-1
47211-02L00-YPA	445B 2-3	48111-02L00-QMV	435D 1-5	48133-08K11-YBA	438B 2-2
47211-02L00-YPA	445C 2-2	48111-02L00-QS4	435A 1-4	48133-08K11-YBA	438D 2-2
47211-02L00-YPA	445D 2-3	48111-02L00-QTZ	435C 1-4	48133-08K11-YKV	438A 2-1
47211-02L00-YUA	445A 2-3	48111-02L00-SAB	435B 1-1	48133-08K11-YKV	438C 2-1
47211-02L00-YVB	445B 2-4	48111-02L00-SAB	435D 1-1	48133-08K11-YPA	438A 2-2
47211-02L00-YVB	445D 2-4	48111-02L00-YBA	435B 1-2	48133-08K11-YPA	438B 2-3
47311-02L00-PGZ	445D 3-6	48111-02L00-YBA	435D 1-2	48133-08K11-YPA	438C 2-2
47311-02L00-QMV	445B 3-5	48111-02L00-YKV	435A 1-1	48133-08K11-YPA	438D 2-3
47311-02L00-QMV	445C 3-3	48111-02L00-YKV	435C 1-1	48133-08K11-YUA	438A 2-3
47311-02L00-QMV	445D 3-5	48111-02L00-YPA	435A 1-2	48133-08K11-YVB	438B 2-4
47311-02L00-QS4	445A 3-4	48111-02L00-YPA	435B 1-3	48133-08K11-YVB	438D 2-4
47311-02L00-QTZ	445C 3-4	48111-02L00-YPA	435C 1-2	48191-02L00-000	435A 10
47311-02L00-SAB	445B 3-1	48111-02L00-YPA	435D 1-3	48191-02L00-000	435B 10
47311-02L00-SAB	445D 3-1	48111-02L00-YUA	435A 1-3	48191-02L00-000	435C 10
47311-02L00-YBA	445B 3-2	48111-02L00-YVB	435B 1-4	48191-02L00-000	435D 10
47311-02L00-YBA	445D 3-2	48111-02L00-YVB	435D 1-4	48191-08K00-000	970B 1
47311-02L00-YKV	445A 3-1	48121-08K00-291	440B 1	48211-08K00-PGZ	435D 2-6
47311-02L00-YKV	445C 3-1	48121-08K00-291	440D 1	48211-08K00-QMV	435B 2-5
47311-02L00-YPA	445A 3-2	48121-08K00-291	440E 1-1	48211-08K00-QMV	435C 2-3
47311-02L00-YPA	445B 3-3	48121-08K00-291	440F 1-1	48211-08K00-QMV	435D 2-5
47311-02L00-YPA	445C 3-2	48121-08K10-U1G	440A 1	48211-08K00-QS4	435A 2-4
47311-02L00-YPA	445D 3-3	48121-08K10-U1G	440C 1	48211-08K00-QTZ	435C 2-4
47311-02L00-YUA	445A 3-3	48121-08K10-U1G	440E 1-2	48211-08K00-SAB	435B 2-1
47311-02L00-YVB	445B 3-4	48121-08K10-U1G	440F 1-2	48211-08K00-SAB	435D 2-1
47311-02L00-YVB	445D 3-4	48131-08K00-291	438A 4	48211-08K00-YBA	435B 2-2
47312-02L00-000	445A 16	48131-08K00-291	438B 4	48211-08K00-YBA	435D 2-2
47312-02L00-000	445B 16	48131-08K00-291	438C 4	48211-08K00-YKV	435A 2-1
47312-02L00-000	445C 16	48131-08K00-291	438D 4	48211-08K00-YKV	435C 2-1
47312-02L00-000	445D 16	48132-08K11-PGZ	438D 1-6	48211-08K00-YPA	435A 2-2
47313-02L00-PGZ	445D 17-6	48132-08K11-QMV	438B 1-5	48211-08K00-YPA	435B 2-3
47313-02L00-QMV	445B 17-5	48132-08K11-QMV	438C 1-3	48211-08K00-YPA	435C 2-2
47313-02L00-QMV	445C 17-3	48132-08K11-QMV	438D 1-5	48211-08K00-YPA	435D 2-3
47313-02L00-QMV	445D 17-5	48132-08K11-QS4	438A 1-4	48211-08K00-YUA	435A 2-3
47313-02L00-QS4	445A 17-4	48132-08K11-QTZ	438C 1-4	48211-08K00-YVB	435B 2-4
47313-02L00-QTZ	445C 17-4	48132-08K11-SAB	438B 1-1	48211-08K00-YVB	435D 2-4
47313-02L00-SAB	445B 17-1	48132-08K11-SAB	438D 1-1	48214-08K00-000	435A 6
47313-02L00-SAB	445D 17-1	48132-08K11-YBA	438B 1-2	48214-08K00-000	435B 6
47313-02L00-YBA	445B 17-2	48132-08K11-YBA	438D 1-2	48214-08K00-000	435C 6
47313-02L00-YBA	445D 17-2	48132-08K11-YKV	438A 1-1	48214-08K00-000	435D 6
47313-02L00-YKV	445A 17-1	48132-08K11-YKV	438C 1-1	48221-08K00-PGZ	435D 3-6
47313-02L00-YKV	445C 17-1	48132-08K11-YPA	438A 1-2	48221-08K00-QMV	435B 3-5
47313-02L00-YPA	445A 17-2	48132-08K11-YPA	438B 1-3	48221-08K00-QMV	435C 3-3
47313-02L00-YPA	445B 17-3	48132-08K11-YPA	438C 1-2	48221-08K00-QMV	435D 3-5
47313-02L00-YPA	445C 17-2	48132-08K11-YPA	438D 1-3	48221-08K00-QS4	435A 3-4
47313-02L00-YPA	445D 17-3	48132-08K11-YUA	438A 1-3	48221-08K00-QTZ	435C 3-4
47313-02L00-YUA	445A 17-3	48132-08K11-YVB	438B 1-4	48221-08K00-SAB	435B 3-1
47313-02L00-YVB	445B 17-4	48132-08K11-YVB	438D 1-4	48221-08K00-SAB	435D 3-1
47313-02L00-YVB	445D 17-4	48133-08K11-PGZ	438D 2-6	48221-08K00-YBA	435B 3-2
47349-34J01-000	440C 9	48133-08K11-QMV	438B 2-5	48221-08K00-YBA	435D 3-2

PART NO.	FIG. NO.-REFNO.	PART NO.	FIG. NO.-REFNO.	PART NO.	FIG. NO.-REFNO.
48221-08K00-YKV	435A 3-1	51131-08K00-13L	521A 2	51153-48420-000	521C 19
48221-08K00-YKV	435C 3-1	51131-08K00-13L	521D 2-1	51153-48420-000	521D 3
48221-08K00-YPA	435A 3-2	51131-08K00-291	521C 2	51153-48420-000	521D 19
48221-08K00-YPA	435B 3-3	51131-08K00-291	521D 2-2	51156-33G10-000	521B 4
48221-08K00-YPA	435C 3-2	51131-08K10-13L	521B 2	51156-33G10-000	521B 19
48221-08K00-YPA	435D 3-3	51131-08K10-13L	521F 2-1	51156-33G10-000	521E 4
48221-08K00-YUA	435A 3-3	51131-08K10-291	521E 2	51156-33G10-000	521E 19
48221-08K00-YVB	435B 3-4	51131-08K10-291	521F 2-2	51156-33G10-000	521F 4
48221-08K00-YVB	435D 3-4	51141-08K00-13L	521A 18	51156-33G10-000	521F 19
		51141-08K00-13L	521D 18-1	51156-36030-000	521A 4
		51141-08K00-291	521C 18	51156-36030-000	521A 20
		51141-08K00-291	521D 18-2	51156-36030-000	521C 4
		51141-08K10-13L	521B 17	51156-36030-000	521C 20
		51141-08K10-13L	521F 17-1	51156-36030-000	521D 4
		51141-08K10-291	521E 17	51156-36030-000	521D 20
		51141-08K10-291	521F 17-2	51169-48500-000	521A 15
51103-08K00-13L	521A 1	51146-08K10-000	521B 10	51169-48500-000	521A 31
51103-08K00-13L	521D 1-1	51146-08K10-000	521B 25	51169-48500-000	521C 15
51103-08K00-291	521C 1	51146-08K10-000	521E 10	51169-48500-000	521C 31
51103-08K00-291	521D 1-2	51146-08K10-000	521E 25	51169-48500-000	521D 15
51103-08K10-13L	521B 1	51146-08K10-000	521F 10	51169-48500-000	521D 31
51103-08K10-13L	521F 1-1	51146-08K10-000	521F 25	51171-08K00-000	521A 14
51103-08K10-291	521E 1	51147-31030-000	521A 23	51171-08K00-000	521A 30
51103-08K10-291	521F 1-2	51147-31030-000	521C 7	51171-08K00-000	521C 14
51104-08K00-13L	521A 17	51147-31030-000	521C 7	51171-08K00-000	521C 30
51104-08K00-13L	521D 17-1	51147-31030-000	521C 23	51171-08K00-000	521D 14
51104-08K00-291	521C 17	51147-31030-000	521D 7	51171-08K00-000	521D 30
51104-08K00-291	521D 17-2	51147-31030-000	521D 23	51171-08K10-000	521B 14
51104-08K10-13L	521B 16	51147-33G10-000	521B 7	51171-08K10-000	521B 29
51104-08K10-13L	521F 16-1	51147-33G10-000	521B 22	51171-08K10-000	521E 14
51104-08K10-291	521E 16	51147-33G10-000	521F 7	51171-08K10-000	521F 29
51104-08K10-291	521F 16-2	51147-33G10-000	521F 22	51173-25030-000	521A 5
51110-08K00-000	521A 9	51148-08K00-000	521A 8	51173-25030-000	521A 21
51110-08K00-000	521A 25	51148-08K00-000	521A 24	51173-25030-000	521C 5
51110-08K00-000	521C 9	51148-08K00-000	521C 8	51173-25030-000	521C 21
51110-08K00-000	521C 25	51148-08K00-000	521C 24	51173-25030-000	521D 5
51110-08K00-000	521D 9	51148-08K00-000	521D 8	51173-25030-000	521D 21
51110-08K00-000	521D 25	51148-08K00-000	521D 24	51173-25030-000	521D 21
51110-08K10-000	521B 9	51148-08K00-000	521D 8	51173-33G10-000	521B 5
51110-08K10-000	521B 24	51148-08K00-000	521D 24	51173-33G10-000	521B 20
51110-08K10-000	521E 9	51148-08K00-000	521D 8	51173-33G10-000	521E 5
51110-08K10-000	521E 24	51148-08K00-000	521E 8	51173-33G10-000	521E 20
51110-08K10-000	521E 24	51148-08K00-000	521E 23	51173-33G10-000	521F 5
51117-33G10-000	521B 6	51148-08K00-000	521F 23	51173-33G10-000	521F 20
51117-33G10-000	521B 21	51148-08K00-000	521F 23	51175-08K00-000	521A 16
51117-33G10-000	521E 6	51153-33G10-000	521F 23	51175-08K00-000	521A 32
51117-33G10-000	521E 21	51153-33G10-000	521B 3	51175-08K00-000	521C 32
51117-33G10-000	521F 6	51153-33G10-000	521B 18	51175-08K00-000	521C 16
51117-33G10-000	521F 21	51153-33G10-000	521E 3	51175-08K00-000	521C 32
51117-43EC0-000	521A 6	51153-33G10-000	521E 18	51175-08K00-000	521D 16
51117-43EC0-000	521A 22	51153-33G10-000	521F 3	51175-08K00-000	521D 32
51117-43EC0-000	521C 6	51153-33G10-000	521F 18	51177-08K00-000	521A 13
51117-43EC0-000	521C 22	51153-48420-000	521A 3	51177-08K00-000	521A 29
51117-43EC0-000	521D 6	51153-48420-000	521A 19	51177-08K00-000	521C 13
51117-43EC0-000	521D 22	51153-48420-000	521C 3	51177-08K00-000	521C 29


PART NO.	FIG. NO.-REFNO.	PART NO.	FIG. NO.-REFNO.	PART NO.	FIG. NO.-REFNO.
51177-08K00-000	521D 13	51611-41H01-000	524A 5	54267-33G00-000	530G 17
51177-08K00-000	521D 29	51611-41H01-000	524B 5	54400-08820-000	530B 10
51177-33G10-000	521B 13	51612-41H01-000	524A 4	54400-08820-000	530C 12
51177-33G10-000	521B 28	51612-41H01-000	524B 4	54400-08820-000	530F 10
51177-33G10-000	521E 13	51621-41H00-000	524A 8	54400-08820-000	530G 10
51177-33G10-000	521E 28	51621-41H00-000	524B 8	54424-28G00-000	530B 11
51177-33G10-000	521F 13	51622-41H00-000	524A 2	54424-28G00-000	530C 13
51177-33G10-000	521F 28	51622-41H00-000	524B 2	54424-28G00-000	530F 11
51194-08K00-000	521A 10	51631-05000-000	524A 11	54424-28G00-000	530G 11
51194-08K00-000	521A 26	51631-05000-000	524A 12	54424-28G00-000	550A 3
51194-08K00-000	521C 10	51631-05000-000	524B 11	54424-28G00-000	550B 3
51194-08K00-000	521C 26	51631-05000-000	524B 12	54424-28G00-000	550C 5
51194-08K00-000	521D 10	51643-06001-000	524A 6	54424-28G00-000	550D 3
51194-08K00-000	521D 26	51643-06001-000	524B 6	54424-28G00-000	550E 3
51195-26B00-000	521A 11	53110-02L10-PGZ	460A 1-6	54424-28G00-000	550F 3
51195-26B00-000	521A 27	53110-02L10-QMV	460A 1-5	54424-28G00-000	550G 3
51195-26B00-000	521C 11	53110-02L10-QMV	460B 1-5	54441-08K10-000	530B 19
51195-26B00-000	521C 27	53110-02L10-QMV	460C 1-3	54441-08K10-000	530C 21
51195-26B00-000	521D 11	53110-02L10-QS4	460D 1-4	54441-08K10-000	530F 19
51195-26B00-000	521D 27	53110-02L10-QTZ	460C 1-4	54441-08K10-000	530G 19
51195-33G50-000	521B 11	53110-02L10-SAB	460A 1-1	54443-28G00-000	530B 16
51195-33G50-000	521B 26	53110-02L10-SAB	460B 1-1	54443-28G00-000	530C 18
51195-33G50-000	521E 11	53110-02L10-YBA	460A 1-2	54443-28G00-000	530F 16
51195-33G50-000	521E 26	53110-02L10-YBA	460B 1-2	54443-28G00-000	530G 16
51195-33G50-000	521F 11	53110-02L10-YKV	460C 1-1	54451-08K00-000	530B 12
51195-33G50-000	521F 26	53110-02L10-YKV	460D 1-1	54451-08K00-000	530C 14
51196-08K00-000	521A 12	53110-02L10-YPA	460A 1-3	54451-08K00-000	530F 12
51196-08K00-000	521A 28	53110-02L10-YPA	460B 1-3	54451-08K00-000	530G 12
51196-08K00-000	521C 12	53110-02L10-YPA	460C 1-2	54455-08K00-000	530B 14
51196-08K00-000	521C 28	53110-02L10-YPA	460D 1-2	54455-08K00-000	530C 16
51196-08K00-000	521D 12	53110-02L10-YUA	460D 1-3	54455-08K00-000	530F 14
51196-08K00-000	521D 28	53110-02L10-YVB	460A 1-4	54455-08K00-000	530G 14
51196-33G10-000	521B 12	53110-02L10-YVB	460B 1-4	54711-11F00-000	530A 5
51196-33G10-000	521B 27	53112-08K00-291	460A 2	54711-11F00-000	530B 5
51196-33G10-000	521E 12	53112-08K00-291	460B 2	54711-11F00-000	530C 7
51196-33G10-000	521E 27	53112-08K00-291	460C 2	54711-11F00-000	530D 5
51196-33G10-000	521F 12	53112-08K00-291	460D 2	54711-11F00-000	530E 5
51196-33G10-000	521F 27	54110-02L00-13L	530C 1-1	54711-11F00-000	530F 5
51351-33G10-000	521B 15	54110-02L10-13L	530C 1-2	54711-11F00-000	530G 5
51351-33G10-000	521B 30	54111-08K50-13L	530A 1	54731-02L00-000	530A 4
51351-33G10-000	521E 15	54111-08K50-13L	530E 1-1	54731-02L00-000	530D 4
51351-33G10-000	521E 30	54111-08K70-019	530D 1	54731-02L00-000	530E 4
51351-33G10-000	521F 15	54111-08K70-019	530E 1-2	54740-08K00-000	530B 7
51351-33G10-000	521F 30	54150-08K00-019	530F 1	54740-08K00-000	530F 7
51358-09G00-000	462A 2	54150-08K00-019	530G 1-2	54740-08K00-000	530G 7
51358-09G00-000	462B 2	54150-08K00-13L	530B 1	54741-02L00-000	530A 13
51358-09G00-000	462C 2	54150-08K00-13L	530G 1-1	54741-02L00-000	530D 13
51358-09G00-000	462D 2	54210-08K30-019	530F 9	54741-02L00-000	530E 13
51410-08K00-000	524A 1	54210-08K30-019	530G 9-2	54741-08K00-000	530C 9
51410-08K10-000	524B 1	54210-08K30-13L	530B 9	54751-02L00-000	530A 7
51434-08K00-000	524A 3	54210-08K30-13L	530C 11	54751-02L00-000	530D 7
51434-08K10-000	524B 3	54210-08K30-13L	530G 9-1	54751-02L00-000	530E 7
51435-33G10-000	524B 13	54267-33G00-000	530B 17	54841-23J00-000	530A 6
51600-28810-000	524B 14	54267-33G00-000	530C 19	54841-23J00-000	530B 6
51600-28810-000	524A 13	54267-33G00-000	530F 17	54841-23J00-000	530C 8

5


PART NO.	FIG. NO.-REFNO.	PART NO.	FIG. NO.-REFNO.	PART NO.	FIG. NO.-REFNO.
54841-23J00-000	530D 6	56311-02L01-QTZ	463B 1-4	57431-08K00-000	467B 15
54841-23J00-000	530E 6	56311-02L01-SAB	463A 1-1	57431-39J00-000	467A 16
54841-23J00-000	530F 6	56311-02L01-SAB	463D 1-1	57431-39J10-000	467A 8
54841-23J00-000	530G 6	56311-02L01-YBA	463A 1-2	57431-39J10-000	467B 8
55110-08K01-000	530B 20-2	56311-02L01-YBA	463D 1-2	57500-08K00-000	467B 13
55110-08K01-000	530C 22-2	56311-02L01-YKV	463B 1-1	57500-39J60-000	467A 13
55110-08K01-000	530F 20-2	56311-02L01-YKV	463C 1-1	57511-39J50-000	467A 14
55110-08K01-000	530G 20-2	56311-02L01-YPA	463A 1-3	57520-08K00-000	467B 17
55110-08K20-000	530A 9-1	56311-02L01-YPA	463B 1-2	57523-08K00-000	467B 18
55110-08K20-000	530D 9-1	56311-02L01-YPA	463C 1-2	57523-39J10-000	467A 5
55110-08K20-000	530E 9-1	56311-02L01-YPA	463D 1-3	57523-39J10-000	467B 9
55110-08K51-000	530A 9-2	56311-02L01-YUA	463C 1-3	57524-08K00-000	467B 19
55110-08K51-000	530B 20-1	56311-02L01-YVB	463A 1-4	57621-08K00-000	467B 14
55110-08K51-000	530C 22-1	56311-02L01-YVB	463D 1-4	57621-39J00-000	467A 15
55110-08K51-000	530D 9-2	56312-02L00-000	463A 3	58110-08K40-000	462C 21
55110-08K51-000	530E 9-2	56312-02L00-000	463B 3	58110-08K40-000	462D 21
55110-08K51-000	530F 20-1	56312-02L00-000	463C 3	58110-08K50-000	462C 22
55110-08K51-000	530G 20-1	56312-02L00-000	463D 3	58110-08K50-000	462D 22
55110-25J01-000	550A 10-2	56321-02L00-291	463A 2	58110-44K01-000	462A 9
55110-25J01-000	550C 12-2	56321-02L00-291	463B 2-1	58110-44K01-000	462B 9
55110-25J01-000	550D 10-2	56321-02L00-291	463D 2	58162-08K00-000	462C 26
55110-25J01-000	550E 10-2	56321-02L10-U1G	463B 2-2	58162-08K00-000	462D 26
55110-25J20-000	550B 10-1	56321-02L30-U1G	463C 2	58164-08K00-000	462C 27
55110-25J20-000	550F 10-1	56500-28GA0-000	462A 5	58164-08K00-000	462D 27
55110-25J20-000	550G 10-1	56500-28GA0-000	462C 5	58165-08K00-000	462C 28
55110-25J51-000	550A 10-1	56500-33GM0-000	462B 5	58165-08K00-000	462D 28
55110-25J51-000	550B 10-2	56500-33GM0-000	462D 5	58300-02L20-000	462A 11
55110-25J51-000	550C 12-1	56533-02L00-000	970C 1	58300-02L20-000	462B 11
55110-25J51-000	550D 10-1	56533-33G60-000	462A 6	58300-02L20-000	462C 11
55110-25J51-000	550E 10-1	56533-33G60-000	462A 8	58300-02L20-000	462D 11
55110-25J51-000	550F 10-2	56533-33G60-000	462B 6	58300-02L30-000	462A 10
55110-25J51-000	550G 10-2	56533-33G60-000	462B 8	58300-02L30-000	462B 10
55310-08K00-13L	530C 2	56533-33G60-000	462C 6	58300-02L30-000	462C 10
55310-39J10-13L	550C 2	56533-33G60-000	462C 8	58300-02L30-000	462D 10
55900-08K30-000	531A 1	56533-33G60-000	462D 6	58510-08K30-000	462A 13
55910-08K00-000	537A 1	56533-33G60-000	462D 8	58510-08K30-000	462B 13
55925-40J00-000	537A 2	56600-28GA0-000	462A 7	58510-08K40-000	462A 14
55930-08K30-000	531A 6	56600-28GA0-000	462C 7	58510-08K40-000	462B 14
55933-08K00-000	537A 11	56600-33GM0-000	462B 7	58510-08K50-000	462C 12
55935-08K20-000	531A 2	56600-33GM0-000	462D 7	58510-08K50-000	462D 12
55935-40J00-000	537A 3	56633-33G60-000	970C 13	58562-08K00-000	462A 15
55936-40J00-000	537A 4	57100-02L00-000	467A 2	58562-08K00-000	462B 15
55937-08K20-000	531A 3	57100-02L00-000	467B 2	58562-08K00-000	462C 13
55938-40J00-000	537A 5	57110-30H10-000	467A 1	58562-08K00-000	462D 13
55953-08K20-000	531A 7	57110-30H10-000	467B 1	58575-39J00-000	462A 18
55954-08K20-000	531A 4	57211-22D11-000	467A 12	58575-39J00-000	462B 18
56110-02L00-000	462A 1	57211-22D11-000	467B 12	58575-39J00-000	462C 16
56110-02L00-000	462B 1	57216-02L01-000	462A 26	58575-39J00-000	462D 16
56110-02L10-000	462C 1	57216-02L01-000	462B 26	58577-39J10-000	462A 20
56110-02L10-000	462D 1	57216-02L01-000	462C 31	58577-39J10-000	462B 20
56311-02L01-PGZ	463A 1-6	57216-02L01-000	462D 31	58577-39J10-000	462C 18
56311-02L01-QMV	463A 1-5	57300-39J60-000	467B 4	58577-39J10-000	462D 18
56311-02L01-QMV	463B 1-3	57300-39J80-000	467A 4	58620-02L10-000	462A 21
56311-02L01-QMV	463D 1-5	57421-39J50-000	467B 5	58620-02L10-000	462B 21
56311-02L01-QS4	463C 1-4	57421-39J60-000	467A 7	58620-02L10-000	462C 19

PART NO.	FIG. NO.-REFNO.	PART NO.	FIG. NO.-REFNO.	PART NO.	FIG. NO.-REFNO.
58620-02L10-000	462D 19	63411-02L10-000	474A 6	68131-08K00-000	445D 4
58620-08K30-000	462C 24	64110-02L00-13L	550C 1-1	68136-39J00-000	445A 14
58620-08K30-000	462D 24	64110-02L10-13L	550C 1-2	68136-39J00-000	445B 14
58623-08K00-000	462A 24	64147-33G10-000	407A 10	68136-39J00-000	445C 14
58623-08K00-000	462B 24	64147-33G10-000	462A 4	68136-39J00-000	445D 14
58623-08K00-000	462C 9	64147-33G10-000	462B 4	68141-08K00-000	445A 5
58623-08K00-000	462D 9	64147-33G10-000	462C 4	68141-08K00-000	445B 5
58623-27K00-000	339A 4	64147-33G10-000	462D 4	68141-08K00-000	445C 5
59100-38860-000	535A 3	64147-33G10-000	530A 8	68141-08K00-000	445D 5
59121-01A00-000	535A 4	64147-33G10-000	530B 8	68319-39J00-000	496A 1
59122-01A00-000	535A 5	64147-33G10-000	530C 10	68319-39J00-000	496B 1
59145-37F00-000	535A 6	64147-33G10-000	530D 8	68319-39J00-000	496C 1
59218-34J00-000	530A 11	64147-33G10-000	530E 8	68319-39J00-000	496D 1
59218-34J00-000	530D 11	64147-33G10-000	530F 8	68332-02L00-000	496A 3
59218-34J00-000	530E 11	64147-33G10-000	530G 8	68332-02L00-000	496C 3
59221-08K00-000	530A 12	64147-33G10-000	550C 3	68332-02L10-000	496B 3
59221-08K00-000	530D 12	64150-08K00-019	550D 1	68332-02L10-000	496D 3
59221-08K00-000	530E 12	64150-08K00-019	550E 1-1	68641-33GCO-000	435A 4
59260-08K20-000	537A 12	64150-08K00-019	550F 1	68641-33GCO-000	435B 4
59267-08K00-000	537A 13	64150-08K00-019	550G 1-1	68641-33GCO-000	435C 4
59270-08K10-000	537A 14	64150-08K00-13L	550A 1	68641-33GCO-000	435D 4
59300-08850-000	535A 7	64150-08K00-13L	550B 1	688911-02L00-000	496A 2
59300-08860-000	535A 2	64150-08K00-13L	550E 1-2	688911-02L00-000	496B 2
59300-08K50-000	535A 1	64150-08K00-13L	550G 1-2	688911-02L00-000	496C 2
59303-14500-000	535A 8	64400-08K10-000	550A 2	688911-02L00-000	496D 2
59314-13A00-000	535A 9	64400-08K10-000	550B 2	69647-00B20-000	537A 9
59315-08K00-000	535A 10	64400-08K10-000	550C 4	69667-00B20-000	537A 21
59333-08K00-000	535A 11	64400-08K10-000	550D 2	69668-00B20-000	537A 22
59345-08K00-000	535A 12	64400-08K10-000	550E 2	69669-08K00-000	537A 23
59351-08K00-000	535A 13	64400-08K10-000	550F 2	69672-00B20-000	537A 8
59382-13A00-000	535A 14	64400-08K10-000	550G 2	69686-34200-000	537A 10
59386-13A00-000	535A 15	64441-09J20-000	550A 4		
59387-41HA0-000	535A 16	64441-09J20-000	550B 4		
59388-41HA0-000	535A 17	64441-09J20-000	550C 6		
59480-08K10-000	537A 16	64441-09J20-000	550D 4		
59492-30H30-000	537A 17	64441-09J20-000	550E 4		
59600-21810-000	537A 6	64441-09J20-000	550F 4		
59666-44300-000	537A 7	64441-09J20-000	550G 4		
59731-08K00-000	537A 24	64451-09J80-000	550A 5		
59735-17C00-000	537A 25	64451-09J80-000	550B 5		
59740-08K00-000	537A 20	64451-09J80-000	550C 7	92111-02L00-291	440B 3
59750-08K00-000	537A 28	64451-09J80-000	550D 5	92111-02L00-291	440E 3-1
		64451-09J80-000	550E 5	92111-02L10-291	440D 3
		64451-09J80-000	550F 5	92111-02L10-291	440F 3-1
		64451-09J80-000	550G 5	92111-02L20-U1G	440A 3
		64723-39J00-000	550A 8	92111-02L20-U1G	440E 3-2
		64723-39J00-000	550B 8	92111-02L30-U1G	440C 3
		64723-39J00-000	550C 10	92111-02L30-U1G	440F 3-2
		64723-39J00-000	550D 8	92112-08K00-291	440B 8
		64723-39J00-000	550E 8	92112-08K00-291	440D 8
62100-08K00-000	545A 1	64723-39J00-000	550F 8	92112-08K00-291	440E 8-1
62100-08K10-000	545B 1	64723-39J00-000	550G 8	92112-08K00-291	440F 8-1
63111-02L10-291	474A 1	68131-08K00-000	445A 4	92112-08K10-U1G	440A 8
63112-08K00-000	474A 3	68131-08K00-000	445B 4	92112-08K10-U1G	440C 8
63114-08K00-000	155A 16	68131-08K00-000	445C 4	92112-08K10-U1G	440E 8-2


SUZUKI GENUINE ACCESSORIES & MERCHANDISE


PART NO	ENGLISH NAME
99000F10417C000	WIND CHEATER




PART NO	ENGLISH NAME
99000F10595C00L	BURGMAN BLACK JACKET-L
99000F10595C0XL	BURGMAN BLACK JACKET-XL
99000F10595CXXL	BURGMAN BLACK JACKET-XXL




PART NO	ENGLISH NAME
99000F10585C00L	HAYABUSA T-SHIRT-L
99000F10585C0XL	HAYABUSA T-SHIRT-XL
99000F10585CXXL	HAYABUSA T-SHIRT-XXL




PART NO	ENGLISH NAME
99000F10597C00L	BLACK HOODIE-L
99000F10597C0XL	BLACK HOODIE-XL
99000F10597CXXL	BLACK HOODIE-XXL




PART NO	ENGLISH NAME
99000F10586C00L	HAYABUSA T-SHIRT (WHITE)-L
99000F10586C0XL	HAYABUSA T-SHIRT (WHITE)-XL
99000F10586CXXL	HAYABUSA T-SHIRT (WHITE)-XXL




PART NO	ENGLISH NAME
99000F10526C00L	MOTO GP JACKET-L
99000F10526C0XL	MOTO GP JACKET-XL
99000F10526CXXL	MOTO GP JACKET-XXL




PART NO	ENGLISH NAME
99000F10644C00M	HAYABUSA ROUND NECK T SHIRT WHITE- M
99000F10644C00L	HAYABUSA ROUND NECK T SHIRT WHITE- L
99000F10644C0XL	HAYABUSA ROUND NECK T SHIRT WHITE- XL
99000F10644CXXL	HAYABUSA ROUND NECK T SHIRT WHITE- XXL



PART NO	ENGLISH NAME
99000F10527C00L	TEAM SUZUKI PIT SHIRT-L
99000F10527C0XL	TEAM SUZUKI PIT SHIRT-XL
99000F10527CXXL	TEAM SUZUKI PIT SHIRT-XXL



PART NO	ENGLISH NAME
99000F10636C00M	HAYABUSA ROUND NECK T SHIRT- M
99000F10636C00L	HAYABUSA ROUND NECK T SHIRT- L
99000F10636C0XL	HAYABUSA ROUND NECK T SHIRT- XL
99000F10636CXXL	HAYABUSA ROUND NECK T SHIRT- XXL



PART NO	ENGLISH NAME
99000F10590C00L	SUZUKI ROUND NECK T-SHIRT-L (BLK/YLW)
99000F10590C0XL	SUZUKI ROUND NECK T-SHIRT-XL (BLK/YLW)
99000F10590CXXL	SUZUKI ROUND NECK T-SHIRT-XXL (BLK/YLW)

SUZUKI GENUINE ACCESSORIES & MERCHANDISE



PART NO	ENGLISH NAME
99000F10637C000	BLACK CAP
99000F10414C000	CAP



PART NO	ENGLISH NAME
99000F10532CD0M	HELMET_OF_DSTM_M
99000F10532CD0L	HELMET_OF_DSTM_L
99000F10561CB0M	HELMET_OF_BLK_M
99000F10561CB0L	HELMET_OF_BLK_L
99000F10561CBXL	HELMET_OF_BLK_XL



PART NO	ENGLISH NAME
99000F10700C00M	SUZUKI F.MASK NAVY M-12(H)*20(W)CM
99000F10700C00L	SUZUKI F.MASK NAVY L-14(H)*22(W)CM
99000F10701C00M	SUZUKI F.MASK ANTHRA M-12(H)*20(W)CM
99000F10701C00L	SUZUKI F.MASK ANTHRA L-14(H)*22(W)CM
99000F10702C00M	HAYABUSA F.MASK BLK M-12(H)*20(W)CM
99000F10702C00L	HAYABUSA F.MASK BLK L-14(H)*22(W)CM



PART NO	ENGLISH NAME
99000F10650C00M	HELMET_ECO_FF_BLK_M
99000F10650C00L	HELMET_ECO_FF_BLK_L
99000F10650C0XL	HELMET_ECO_FF_BLK_XL
99000F10649C00M	HELMET_ECO_OF_BLK_M
99000F10649C00L	HELMET_ECO_OF_BLK_L
99000F10649C0XL	HELMET_ECO_OF_BLK_XL



PART NO	ENGLISH NAME
99000F10587C000	HELMET_FF_BLK
99000F10571C00S	HELMET_OF_BLU_S

6



PART NO	ENGLISH NAME
99000F10685CB0M	HELMET_OF_ECO_BLU_M
99000F10685CB0L	HELMET_OF_ECO_BLU_L
99000F10685CBXL	HELMET_OF_ECO_BLU_XL
99000F10685CR0M	HELMET_OF_ECO_RED_M
99000F10685CR0L	HELMET_OF_ECO_RED_L
99000F10685CRXL	HELMET_OF_ECO_RED_XL



PART NO	ENGLISH NAME
99000F10554CB0M	HELMET_FF_BLK_M
99000F10554CB0L	HELMET_FF_BLK_L
99000F10554CBXL	HELMET_FF_BLK_XL
99000F10654C00M	HELMET_FF_MOTO_GP_M
99000F10654C00L	HELMET_FF_MOTO_GP_L
99000F10654C0XL	HELMET_FF_MOTO_GP_XL




PART NO	ENGLISH NAME
99000F10422C00M	HELMET_OF_BLK_M
99000F10422C00L	HELMET_OF_BLK_L
99000F10422C0XL	HELMET_OF_BLK_XL
99000F10423C00M	HELMET_OF_WHT_M
99000F10423C00L	HELMET_OF_WHT_L
99000F10423C0XL	HELMET_OF_WHT_XL




PART NO	ENGLISH NAME
99000F10673C00M	HELMET_PRE_ECO_OF_2_M
99000F10673C00L	HELMET_PRE_ECO_OF_2_L
99000F10673C0XL	HELMET_PRE_ECO_OF_2_XL
99000F10672C00M	HELMET_PRE_ECO_OF_1_M
99000F10672C00L	HELMET_PRE_ECO_OF_1_L
99000F10672C0XL	HELMET_PRE_ECO_OF_1_XL


SUZUKI GENUINE ACCESSORIES & MERCHANDISE


PART NO	ENGLISH NAME
99000F10410GB0M	HELMET_FF_BLK_M
99000F10410GB0L	HELMET_FF_BLK_L
99000F10410GBXL	HELMET_FF_BLK_XL
99000F10537CB0M	HELMET_FF_BLUE_M
99000F10537CB0L	HELMET_FF_BLUE_L
99000F10537CBXL	HELMET_FF_BLUE_XL



PART NO	ENGLISH NAME	MODEL
56500-33GM0-000	MIRROR ASSY, REAR VIEW RH	UZ125L7~
56600-33GM0-000	MIRROR ASSY, REAR VIEW LH	UZ125N~



PART NO	ENGLISH NAME
99000F10410PB0L	HELMET_FF_BLK_L
99000F10410PBXL	HELMET_FF_BLK_XL
99000F10626C00M	HELMET_FF_MAT_BLK_M
99000F10626C00L	HELMET_FF_MAT_BLK_L
99000F10626C0XL	HELMET_FF_MAT_BLK_XL



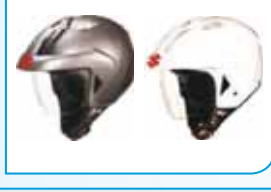
PART NO	ENGLISH NAME	MODEL
99000F10551C000	CHROME MIRROR LH	UB125L9~
99000F10552C000	CHROME MIRROR RH	GL150L8~
99000F10553C000	CHROME MIRROR KIT	



PART NO	ENGLISH NAME
99000F10532CR0M	HELMET_OF_RED_M
99000F10532CR0L	HELMET_OF_RED_L
99000F10532CRXL	HELMET_OF_RED_XL
99000F10532CB0M	HELMET_OF_BLU_M
99000F10532CB0L	HELMET_OF_BLU_L
99000F10532CBXL	HELMET_OF_BLU_XL




PART NO	ENGLISH NAME	MODEL
99000F10665C000	GRAPHICS SET-UZ125 (FLORAL)	UZ125N~



PART NO	ENGLISH NAME
99000F10410MG0M	HELMET_OF_GRY_M
99000F10410MG0L	HELMET_OF_GRY_L
99000F10410MW0M	HELMET_OF_WHT_M
99000F10410MW0L	HELMET_OF_WHT_L



PART NO	ENGLISH NAME	MODEL
99000F10662C000	GRAPHICS SET-UZ125(RED)	UZ125N~
99000F10661C000	GRAPHICS SET-UZ125(BLUE)	



PART NO	ENGLISH NAME	MODEL
99000F10663C000	GRAPHICS SET-UZ125 (SILVER)	UZ125N~
99000F10664C000	GRAPHICS SET-UZ125 (BLACK)	

SUZUKI GENUINE ACCESSORIES



PART NO	ENGLISH NAME
99000F10686C000	FLOOR MAT WITH LOCK_UB125 DESIGN 1



PART NO	ENGLISH NAME	MODEL
99000F10421C000	SEAT COVER MESH TYPE	UZ125L7~ UZ125N~



PART NO	ENGLISH NAME
99000F10687C000	FLOOR MAT WITH LOCK_UB125 DESIGN 2



PART NO	ENGLISH NAME	MODEL
99000F10538C000	SEAT COVER-UZ125L7	UZ125L7~ UZ125N~



PART NO	ENGLISH NAME	MODEL
99000F10425C000	FLOOR MAT WITH LOCK	UZ125L7~



PART NO	ENGLISH NAME	MODEL
99000F10594C000	SEAT COVER-BURGMAN	UB125EML9~



PART NO	ENGLISH NAME	MODEL
99000F10569CU1G	SEAT COVER-UZ125L7 (MAROON)	UZ125L7~ UZ125N~



PART NO	ENGLISH NAME	MODEL
99000F10593C000	BODY COVER BURGMAN	UB125EML9~



PART NO	ENGLISH NAME	MODEL
99000F10653C000	SEAT COVER-UZ125L7 (BROWN)	UZ125L7~ UZ125N~



PART NO	ENGLISH NAME	MODEL
99000F10591C000	BODY COVER- NEW ACCESS	UZ125L7~ UZ125N~

SUZUKI GENUINE ACCESSORIES



PART NO	ENGLISH NAME	MODEL
94200-44830-000	BAR SET,ACCESSORIES	UB125NMM1~



PART NO	ENGLISH NAME	MODEL
99000F10546C000	GARNISH COMBO KIT	
99000F10548C000	CENTER & FENDER, GARNISH SET	UZ125L7~
99000F10544C000	SIDE PROTECTOR, GARNISH SET	UZ125N~
99000F10545C000	TAIL LAMP, GARNISH SET	



PART NO	ENGLISH NAME	MODEL
43600-02810-000	TUBE SET, FOOTREST	UZ125M2~
43600-33830-000	TUBE SET, FOOTREST	UZ125N~
43600-39820-000	TUBE SET, FOOTREST	UZ125L7~
43600-44810-000	TUBE SET, FOOTREST	UB125NM3~
43600-44800-000	TUBE SET, FOOTREST	UB125NM~
43600-39830-000	TUBE SET, FOOTREST	UB125L9~



PART NO	ENGLISH NAME	MODEL
94600-02810-000	VISOR SET,METER	UZ125N~



PART NO	ENGLISH NAME	MODEL
38850-39J00-000	TERMINAL, POWER SOURCE (MOBILE CHARGER)	UR110L7~ UZ125L7~
39105-44K00-000	SOCKET, USB	UZ125N~ UB125L9~



PART NO	ENGLISH NAME	MODEL
99000F10412C000	DECORATIVE VALVE CAP (SET)	ALL MODELS



PART NO	ENGLISH NAME	MODEL
99000F10535CBLK	S LOGO KEY CHAIN- BLACK	ALL
99000F10535CBLU	S LOGO KEY CHAIN- BLUE	
99000F10535CWHT	S LOGO KEY CHAIN- WHITE	
99000F10535CTPT	S LOGO KEY CHAIN-TRNSPT	
99000F10555C000	MOTO-GP KEY CHAIN	



PART NO	ENGLISH NAME
99000F10558C000	CARRY BAG




PART NO	ENGLISH NAME	MODEL
99000F10633C000	S LEATHER KEY CHAIN	ALL MODELS
99000F10641C000	GIXXER KEY CHAIN	

NOTE :- ALL ACCESSORY, APPAREL & CHEMICALS PRICES ARE AVAILABLE ON DRAS & MDMS.

SUZUKI GENUINE ENGINE OIL & CHEMICALS



IDEMITSU				IDEMITSU				CASTROL				CASTROL			
															
PART NO.	TYPE	GRADE	PACK SIZE	PART NO.	TYPE	GRADE	PACK SIZE	PART NO.	TYPE	GRADE	PACK SIZE	PART NO.	TYPE	GRADE	PACK SIZE
990P0-21040-001	10W-30	SEMI-SYNTHETIC	1Ltr.	990P0-21040-P70	10W-30	SEMI-SYNTHETIC	700ML	990P0-21030-001	10W-30	MINERAL	1Ltr	990P0-21030-P70	10W-30	MINERAL	700 ML

ECSTAR				ECSTAR			ECSTAR		
 ORDER TO SMIPL				 ORDER TO SMIPL			 ORDER TO SMIPL		
PART NO	TYPE	GRADE	PACK	PART NO	TYPE	PACK SIZE	PART NO	TYPE	PACK SIZE
990P0-99010-P50	FRONT FORK OIL	2W-35	1Ltr.	990P0-59040-P60	ECSTAR BIKE CARE KIT	600ML	990P0-26010-P30	LUSTER WAX	300ML

NOTE :- KINDLY PLACE THE ENGINE OIL ORDERS DIRECTLY TO OUR AUTHORISED OIL COMPANY.

SUZUKI UZ125NE/ND/NH/NEY/NDY/NEW/NDWM2 PART CATALOGUE

1ST EDITION

Published in 2021-1

© 2021 Suzuki Motor Corporation. All rights reserved.

No part of this document may be reproduced or transmitted in any form or by any means, electronic or mechanical, for any purpose, without the express written permission of Suzuki Motor Corporation.

SUZUKI MOTORCYCLE INDIA PRIVATE LIMITED,

Spare Parts Department

Village Kherki Dhaula, Badshahapur, NH-8,

Link Road, Gurgaon 12004 (HARYANA)

Reprint Prohibited (S)

1

INFORMATION
ILLUSTRATION INDEX

2

ENGINE
TRANSMISSION

3

ELECTRICAL

4

BODY

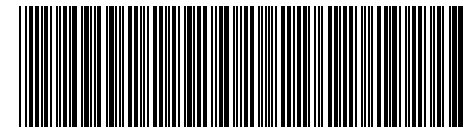
5

PARTS NUMBER INDEX

6

ACCESSORIES

SUZUKI MOTORCYCLE INDIA PVT. LTD.



9900BF33GP0C018

9900BF33GP0C018



Printed in India