

Parts Catalog

ATUL_GEMINI

ATUL GEMINI PETROL REGULAR PAXX

ATUL AUTO LTD

TABLE INDEX

Sr No.	Table Name	Table No.	Page No.
1	CRANK CASE CLUTCH SIDE	A	1-2
2	CRANK CASE MAGNETO SIDE	B	3-4
3	CLUTCH SIDE COVER	C	5-6
4	CYLINDER PISTON ASSEMBLY	D	7-8
5	CRANK SHAFT ASSEMBLY	E	9-10
6	CYLINDER HEAD ASSEMBLY	F	11-12
7	VALVE	G	13-14
8	CAM SHAFT AND CHAIN TENSIONER	H	15-16
9	CLUTCH ASSEMBLY	I	17-18
10	CLUTCH LEVER ASSEMBLY	J	19-20
11	GEAR TRANSMISSION	K	21-22
12	SELECTOR SHIFTER ASSEMBLY	L	23-24
13	STARTING MECHANISM & DIFFERENTIAL ASSEMBLY	M	25-26
14	DEFERENTIAL COVER	N	27-28
15	COWLINGS	O	29-30
16	MAGNETO ASSEMBLY	P	31-32
17	OIL PUMP AND OIL STRAINER	Q	33-34
18	STARTER MOTOR	R	35-36
19	ELECTRIC ELEMENTS	S	37-38
20	ENGINE SUPPORT	1	39-42
21	CHASSIS FRAME, FUEL TANK	2	43-46
22	INNER PARTS OF CABIN	3	47-48
23	CABIN COMPONENT	4	49-50
24	RUBBER MAT, REAR MUDGUARD	5	51-52
25	REAR SUSPENSION	6	53-56
26	FRONT SUSPENSION AND STEERING COLUMN	7	57-60
27	HANDLE BAR AND CONTROL CABLES	8	61-64
28	FRONT BRAKE PLATE	9	65-66
29	REAR BRAKE PLATE	10	67-68
30	BRAKE -TANDEM CYLINDER, BRAKE PIPES AND HAND BRAKE	11	69-72

TABLE INDEX

Sr No.	Table Name	Table No.	Page No.
31	ELECTRICAL DEVICES	12	73-74
32	ELECTRICAL DEVICES	13	75-78
33	STICKER	14	79-80
34	BODY PART	15	81-86
35	HAND STARTER	16	87-88
36	WIRING HARNESS	17	89-90
37	AIR FILTER ELEMENT	18	91-92
38	SILENCER AND OIL COOLER ASSY.	19	93-94
39	FARE METER HOUSING ASSY.	20	95-96

PLATE-A
CRANK CASE CLUTCH SIDE

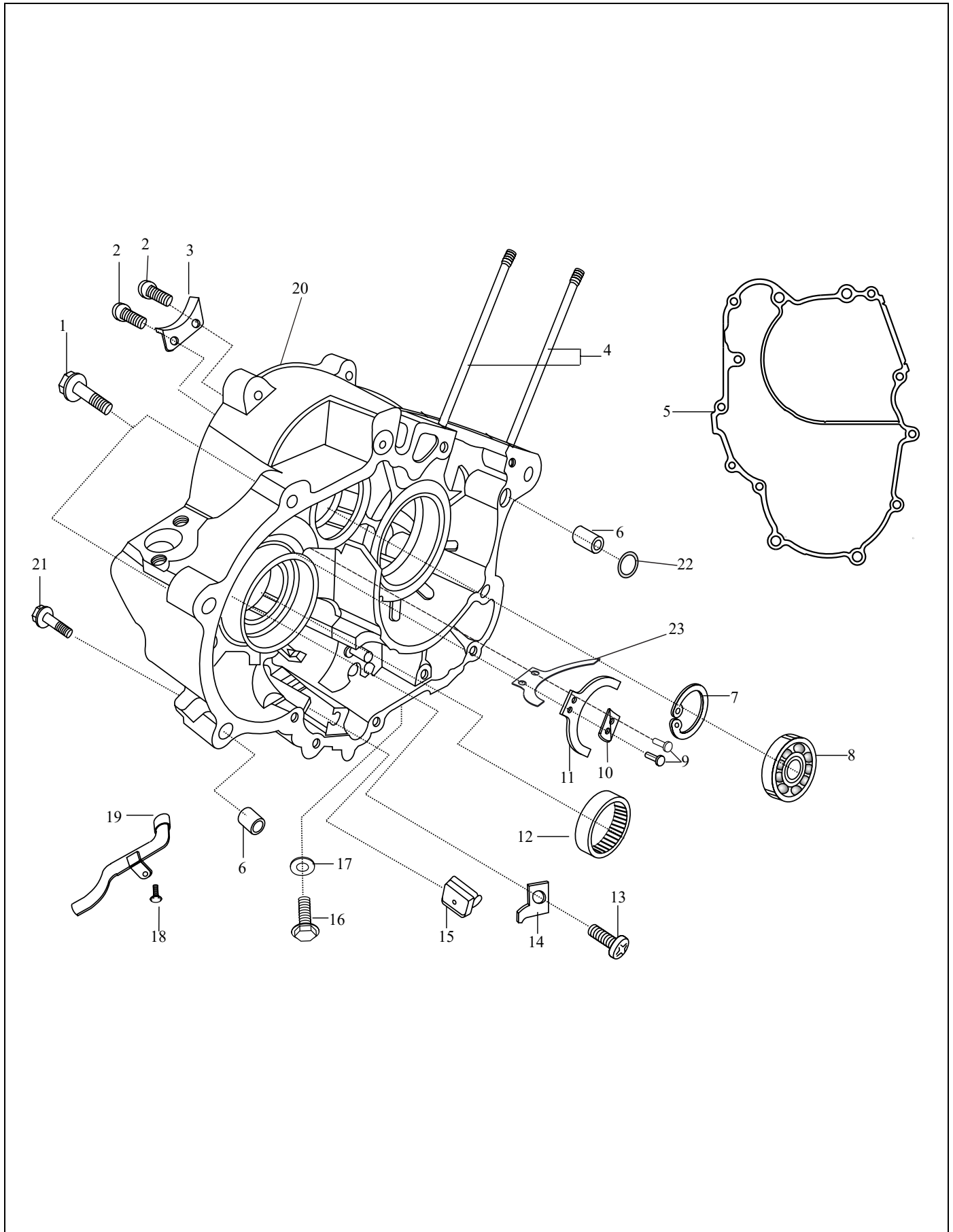


PLATE-A**CRANK CASE CLUTCH SIDE**

Fig. No.	Part No.	Description	Qty	Remarks
1	36010072	HEX FLANGE BOLT M6X35	3	
2	36010054	HEX FLANGE SCREW M6X12	1	
3	36010071	GUIDE TIMING CHAIN (METALLIC)	1	
4	36010075	STUD CYLINDER HEAD	4	
5	36010106	GASKET, CRANKCASE	1	
6	36010030	HOLLOW DOWEL 10 DIA X 14L	2	
7	75350042	RING CIRCLIP \diamond 42	1	
8	36010078	BRG. BALL MG SHAFT RH	1	
9	36010079	ROUND HEAD CRS RCS SCREW M5X8	2	
10	36010080	SPRING PLATE DRIVEN GEAR	1	
11	36010081	SPRING PLATE UPPER	1	
12	36010083	BRG. NEEDLE MAIN SHAFT	1	
13	36010082	SLOTTED CHEESE HEAD SCREW M6 \diamond 12	1	
14	36010085	GUIDE, STARTER GEAR	1	
15	36010086	RUBBER PAD	1	
16	36010088	PLUG - OIL DRAIN	1	
17	36010150	COPPER WASHER 10X1.2X16	1	
18	36010054	HEX FLANGE SCREW M6X12	1	
19	36010104	PIPE OIL RETURN	1	
20	36010074	RIGHT CRANKCASE ASSY.	1	
21	36010073	HEX FLANGE BOLT M6X55	6	
22	36010099	O-RING REV. SHAFT	1	
23	36017146	SPRING PLATE LOWER	1	

PLATE-B
CRANK CASE MAGNETO SIDE

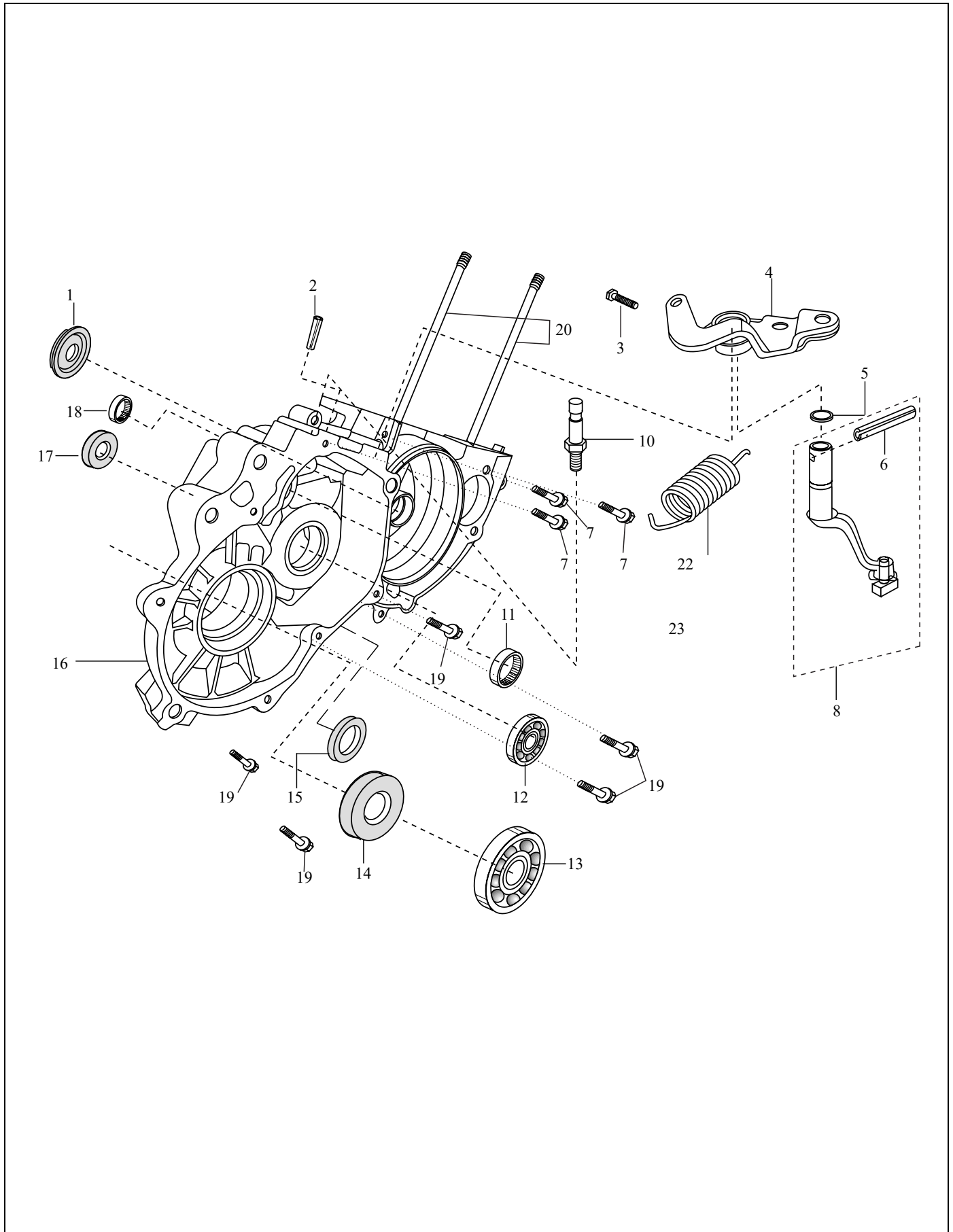


PLATE-B**CRANK CASE MAGNETO SIDE**

Fig. No.	Part No.	Description	Qty	Remarks
1	36010800	OIL SEAL - CR SHAFT TO CR CASE LH	1	
2	36010093	PIN REVERSE SHAFT	1	
3	36010107	BOLT M8X20 (CABLE ADJ BOLT)	1	
4	36010084	CONTROL ARM, REVERSE	1	
5	36010099	O-RING REV. SHAFT	2	
6	36010100	SPRING DOWEL SLEEVE	1	
7	36010072	HEX FLANGE BOLT M6X35	5	Not supply
8	35120002	ASSY. FORK REVERSE	1	
9	36010102	SPRING REV LEVER	1	
10	36010103	PIN REVERSE SPRING	1	
11	36010161	BRG. NEEDLE IDLER GEAR	1	
12	36010096	BRG. BALL-MAIN SHAFT RH	1	
13	36010163	BRG. BALL DIFF. ASSY. SUPPORT	1	
14	36010803	OIL SEAL -DIFF FLANGE	1	
15	36010802	OIL SEAL-HAND START SHAFT	1	
16	36010092	CRANKCASE,LH	1	
17	36010801	OIL SEAL-MAIN SHAFT TO C-CASE LH	1	
18	36010090	BRG. NEEDLE-MG SHAFT	1	
19	36010073	HEX FLANGE BOLT M6X55	4	
20	36010075	STUD CYLINDER HEAD	2	

PLATE-C
CLUTCH SIDE COVER

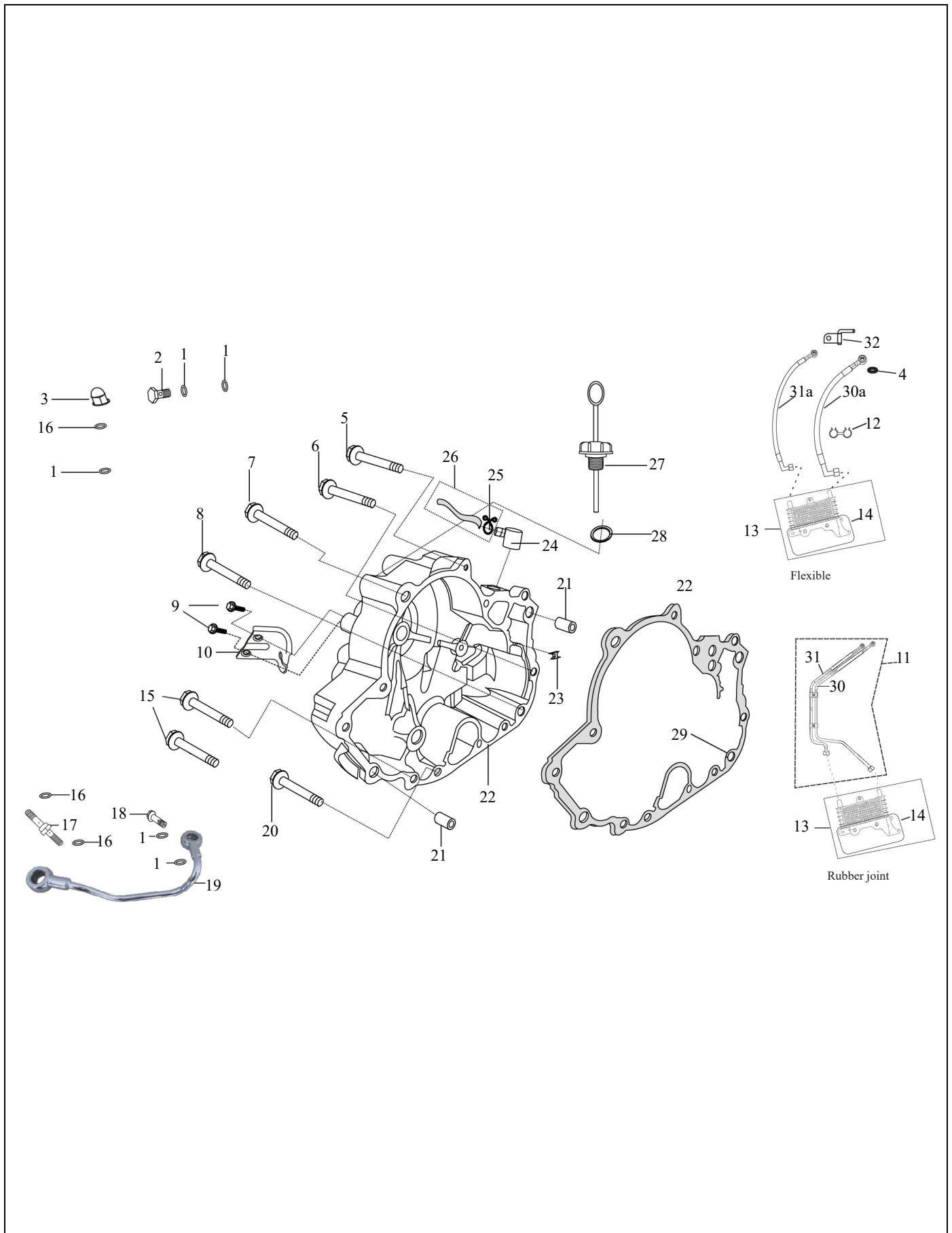


PLATE-C
CLUTCH SIDE COVER

Fig. No.	Part No.	Description	Qty	Remarks
1	36010150	COPPER WASHER 10X1.2X16	5	
2	36010157	BANJO BOLT	1	
3	36010014	HEX FLANGE DOME CAP NUT M8	4	
4	36010318	O RING	1	
5	36010130	HEX FLANGE SCREW M6X32	1	
6	36010131	HEX FLANGE BOLT M6X40	3	
7	36010132	HEX FLANGE BOLT M6X60	3	
8	36010133	HEX FLANGE BOLT M6X65	1	
9	36010054	HEX FLANGE SCREW M6X12	2	
11	36010253	ASSY.PIPES OIL COOLER	1	Modified rubber joi
12	36010317	CLAMP PIPE OIL COOLER	2	Domestic - Modified
13	36010251	ASSY.OIL COOLER	1	Modified rubber joi
14	36010252	BRKT.OIL COOLER	1	Modified rubber joi
15	36010136	HEX FLANGE BOLT M6X85	2	
16	36010152	COPPER WASHER 8.2X1X14	3	
17	36010557	BOLT BANJO SPECIAL	1	
18	36010151	BANJO BOLT M10X20	1	
19	36010844	PIPE COMPLETE BANJO	1	
20	36010137	HEX FLANGE BOLT M6X90	1	
21	36010030	HOLLOW DOWEL 10 DIA X 14L	2	
22	36010143	CRANKCASE COVER, LH	1	
23	36010142	GROMMET BREATHER	1	
24	36010140	BREATHER W/O PIPE	1	
25	36010139	CLIP - BREATHER TUBE	1	
26	36010530	TUBE RUBBER PCV	1	
27	36010158	DIPSTICK (CRANK CASE COVER LH)	1	
28	36010166	O RING DIP STICK	1	
29	36010144	GASKET, CRANKCASE COVER, RH	1	
30	36010273	OIL COOLER PIPE (OUTLET)	1	
30a	36010830	ASSY PIPE (OIL COOLER TO CLUTCH COVER)	1	(BLUE PIPE)
30a	36010830	ASSY PIPE (OIL COOLER TO CLUTCH COVER)	1	MODIFIED w.e.f MCG3
31	36010272	OIL COOLER PIPE (INLET)	1	
31a	36010829	ASSY PIPE (OIL FILTER TO OIL COOLER)	1	(BLUE PIPE)
31a	36010829	ASSY PIPE (OIL FILTER TO OIL COOLER)	1	MODIFIED w.e.f MCG3
32	36010314	HOLDER FOR OIL PIPES	1	Domestic - Modified

6

PLATE-D
CYLINDER PISTON ASSEMBLY

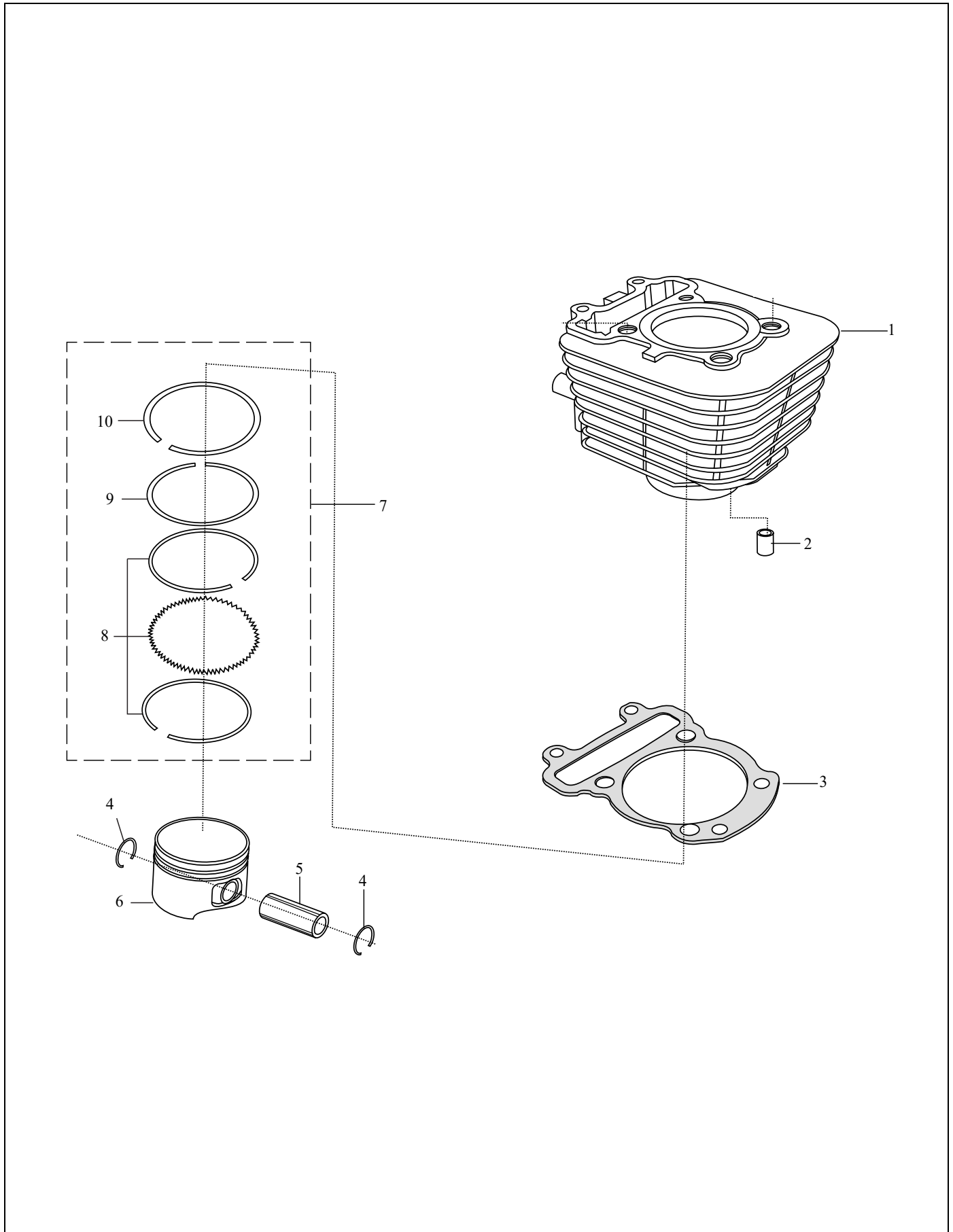


PLATE-D
CYLINDER PISTON ASSEMBLY

Fig. No.	Part No.	Description	Qty	Remarks
1	36010029	CYLINDER BLOCK	1	
2	36010030	HOLLOW DOWEL 10 DIA X 14L	2	
3	36120050	KIT CYLINDER GASKET	1	
4	36017043	CIRCLIP PISTON	2	Modified
5	36017042	PIN PISTON	1	Modified
6	36017041	PISTON	1	Modified
7	36010113	PISTON RING SET	1	Modified
8	36010112	OILRING ASSY	1	Not supply
9	36010111	PISTON RING 2	1	Not supply
10	36010110	PISTON RING 1	1	Not supply
11	36120016	KIT PISTON	1	IncludedFig.4,5,6,
12	36120047	PISTON RING SET	1	(Not supply) Includ
13	36120022	KIT CYLINDER BLOCK & PISTON	1	Inc. Fig.1,4,5,6,8,

PLATE-E
CRANK SHAFT ASSEMBLY

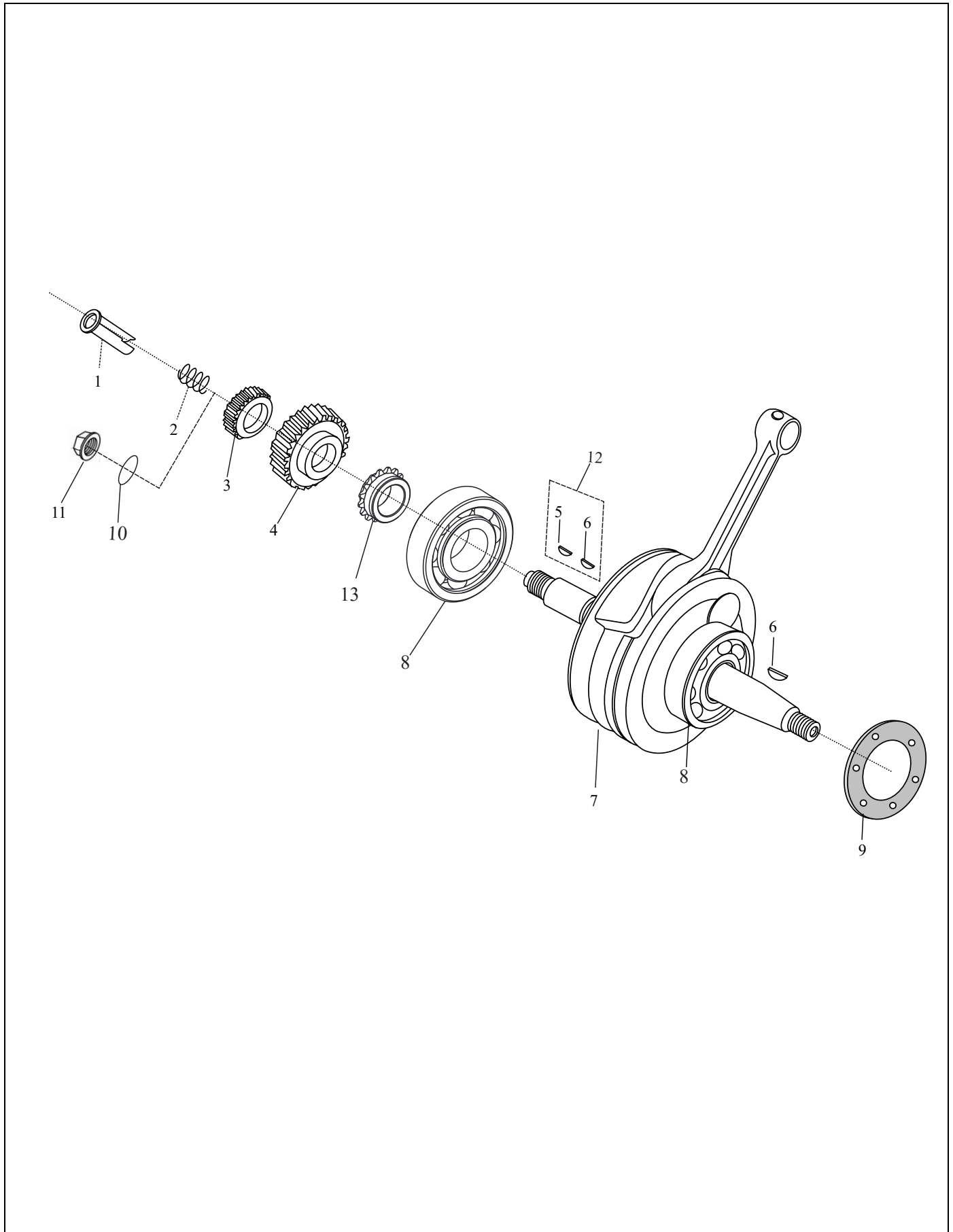


PLATE-E
CRANK SHAFT ASSEMBLY

Fig. No.	Part No.	Description	Qty	Remarks
1	36010117	PLUNGER	1	
2	36010118	SPRING PLUNGER CRANKSHAFT	1	
3	36010119	GEAR OIL PUMP DRIVE	1	
4	36020027	GEAR PRIMARY DRIVE	1	
5	36010122	WOODRUFF KEY (3X5X13)	2	
6	36010123	WOODRUFF KEY 4X5X16	1	
7	36011033	CRANK SHAFT ASSEMBLY	1	
8	36010121	BRG. BALL CRANK SHAFT	2	
9	36010124	PAD RUBBER CR. SHAFT	1	
10	36020026	WASHER	1	
11	36020002	NUT-CLUTCH M16	1	
12	36010474	KIT WOODROUGH KEY	1	Consist of Fig. No.
13	36010798	SPROCKET CHAIN CR.SHAFT	1	

PLATE-F
CYLINDER HEAD ASSEMBLY

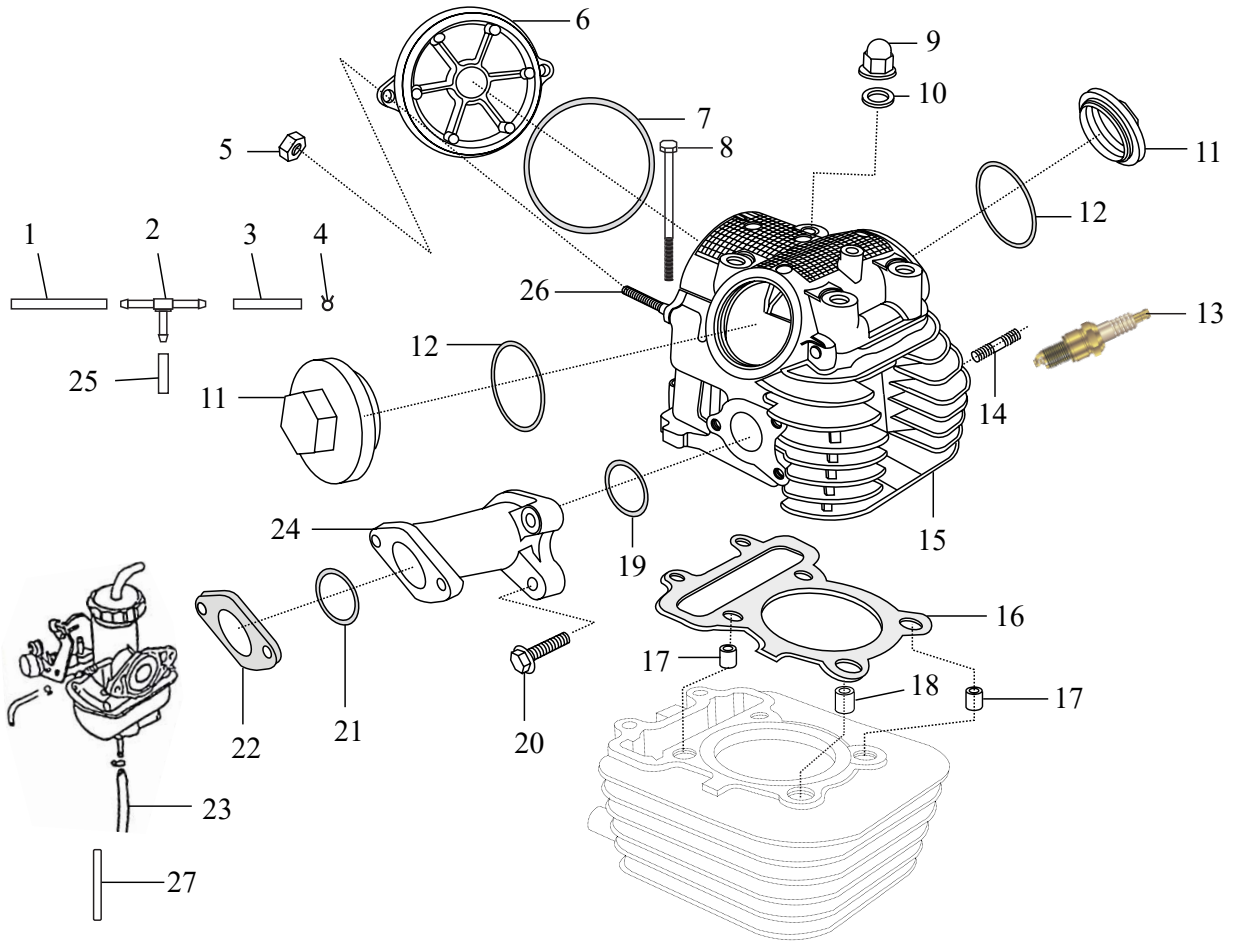


PLATE-F
CYLINDER HEAD ASSEMBLY

Fig. No.	Part No.	Description	Qty	Remarks
1	36015045	TUBE RUBBER (LENGTH - 130 MM)	1	
2	36015041	TUBE CONNECTOR	1	
3	36015044	TUBE RUBBER (LENGTH - 100 MM)	1	
4	36010227	CLIP	1	
5	80930060	FLANGE NUT M6	2	
6	36010011	COVER, CYLINDER HEAD	1	
7	36010012	O-RING 73X2	1	
8	36010020	HEX FLANGE BOLT M6X120	2	
9	36010014	HEX FLANGE DOME CAP NUT M8	4	
10	36010015	COPPER WASHER 8.5 \times 17X2.0	4	
11	36010016	CAP, VALVE	2	
12	36010017	O-RING 45X3	2	
13	36010706	SPARK PLUG	1	
14	36010018	STUD M8X45	2	
15	36010019	CYLINDER HEAD SET	1	
16	36010026	GASKET, CYLINDER HEAD	1	
17	36010030	HOLLOW DOWEL 10 DIA X 14L	2	
18	36010028	OIL SEAL BUSH (CYL BLOCK)	1	
19	36010025	O-RING 27.4X2.65	1	
20	36010023	HEX FLANGE BOLT M6X25	5	
25	36015042	TUBE RUBBER (LENGTH - 35.5 MM)	1	
26	36010013	STUD M6X50	2	
27	36120005	MAIN JET	1	

PLATE-G
VALVE

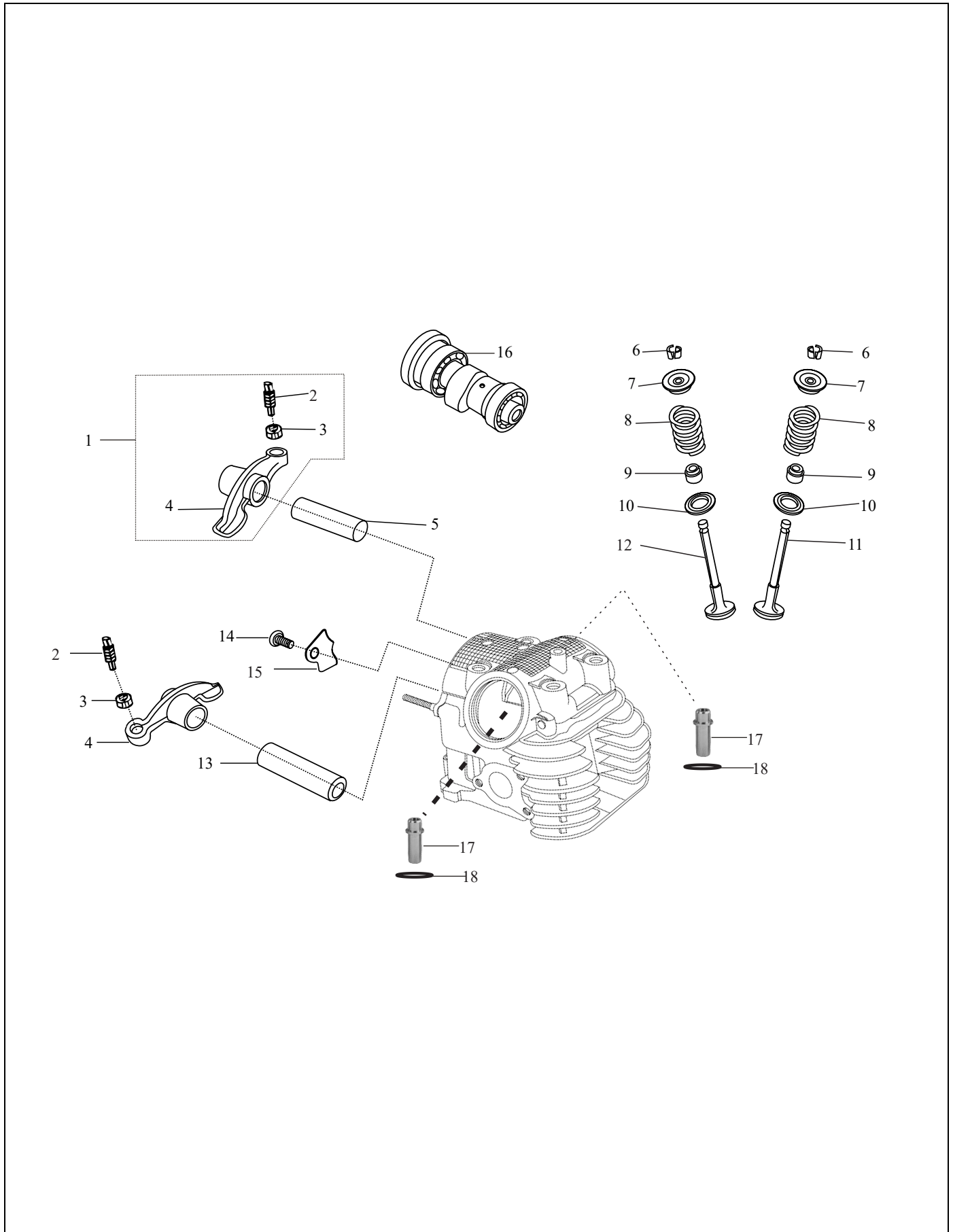


PLATE-G
VALVE

Fig. No.	Part No.	Description	Qty	Remarks
1	36010045	ROCKER ARM COMP	2	
2	36010042	ADJUSTING SCREW, VALVE GAP	2	
3	36010043	LOCK NUT	2	
4	36010045	ROCKER ARM COMP	2	
5	36010066	EXHAUST VALVE SHAFT	1	
6	36010047	COLLET	4	
7	36010048	UPPER SEAT, VALVE SPRING	2	
8	36010049	SPRING, VALVE	2	
9	36010799	OIL SEAL, VALVE STEM	2	
10	36010051	OUTER SEAT, VALVE SPRING	2	
11	36010052	INTAKE VALVE	1	
12	36010053	EXHAUST VALVE	1	
13	36010046	INLET VALVE SHAFT	1	
14	36010054	HEX FLANGE SCREW M6X12	1	
15	36010713	STOPPER CAM SHAFT	1	
16	36120051	CAMSHAFT ASSY	1	
17	36010500	KIT ENGINE VALVE	1	Included Fig. 9,11
18	36120049	KIT CYLINDER HEAD (WITH CAMSHAFT) WITHOUT HOLDER P	1	Included Fig. 1 to
19	36010302	KIT CYLINDER HEAD (WITHOUT CAMSHAFT)	1	Included Fig. 1 to
20	36017021	VALVE GUIDE	1	Modified
21	36017024	O RING VALVE GUIDE	1	Modified

PLATE-H
CAM SHAFT AND CHAIN TENSIONER

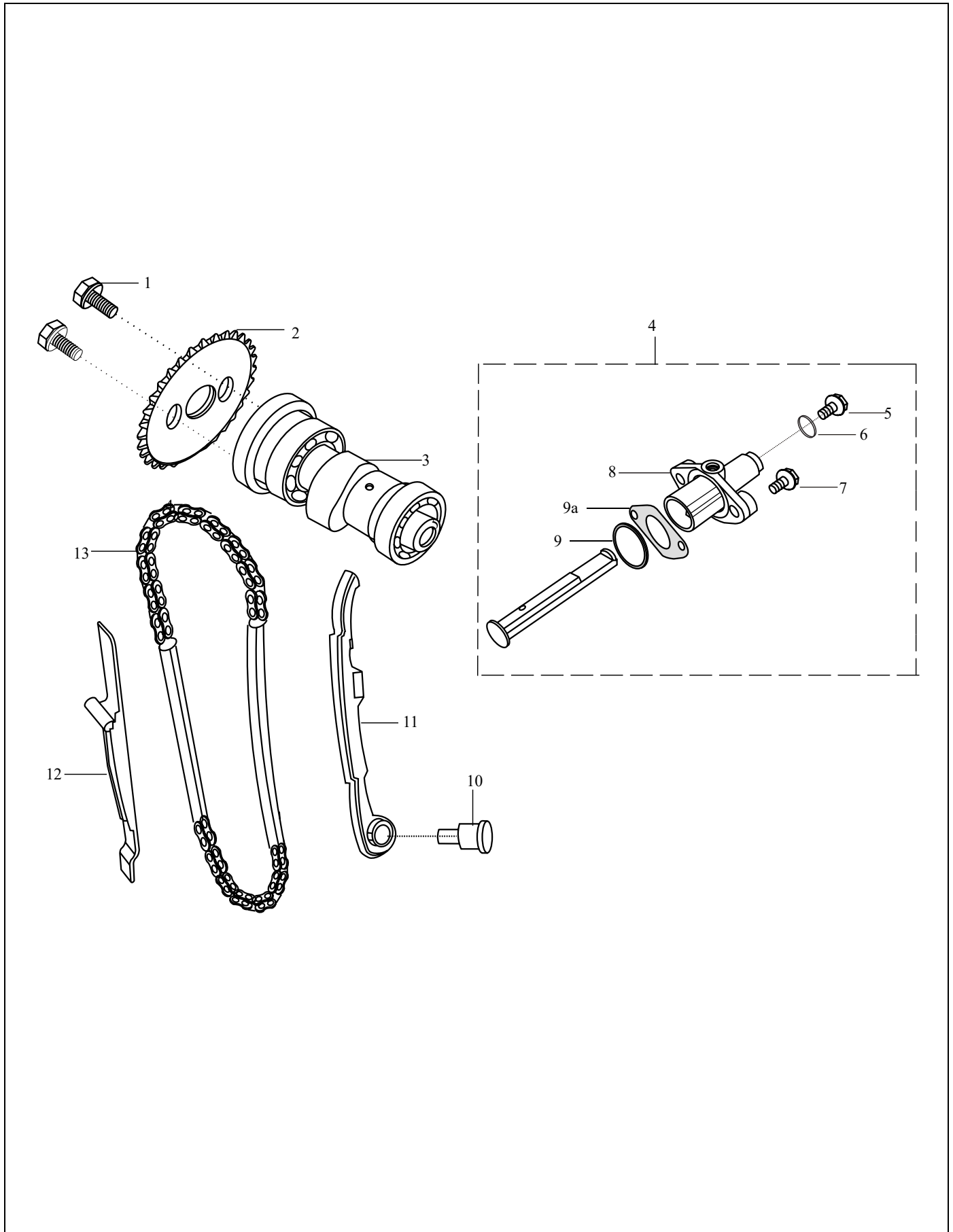


PLATE-H**CAM SHAFT AND CHAIN TENSIONER**

Fig. No.	Part No.	Description	Qty	Remarks
1	36010054	HEX FLANGE SCREW M6X12	2	
2	36010534	SPROCKET CHAIN CAM (LGB)	1	
3	36010056	CAMSHAFT ASSY	1	
4	36120015	KIT CHAIN TENSIONER	1	WITHOUT SR. NO. 10,
5	36010064	TENSIONER ,NUT	1	
6	36017191	O RING TENSIONER CHAIN	1	
7	80477298	HEX FLANGED SCREW M6X25	2	
8	36010062	TENSIONER BODY	1	
9	36017191	O RING TENSIONER CHAIN	1	
9A	36017170	GASKET TENSIONER BODY	1	Modified
10	36010060	CHAIN GUIDE PIN	1	
11	36010059	GUIDE CHAIN SLACK SIDE	1	
12	36010058	GUIDE CHAIN TENSION SIDE	1	
13	36010057	CHAIN CAM SHAFT	1	
14	36010471	KIT CHAIN GUIDE PLATE	1	Consist of fig. No.
15	36030106	KIT GUIDE ROD AND SELECTOR	1	

PLATE-I
CLUTCH ASSEMBLY

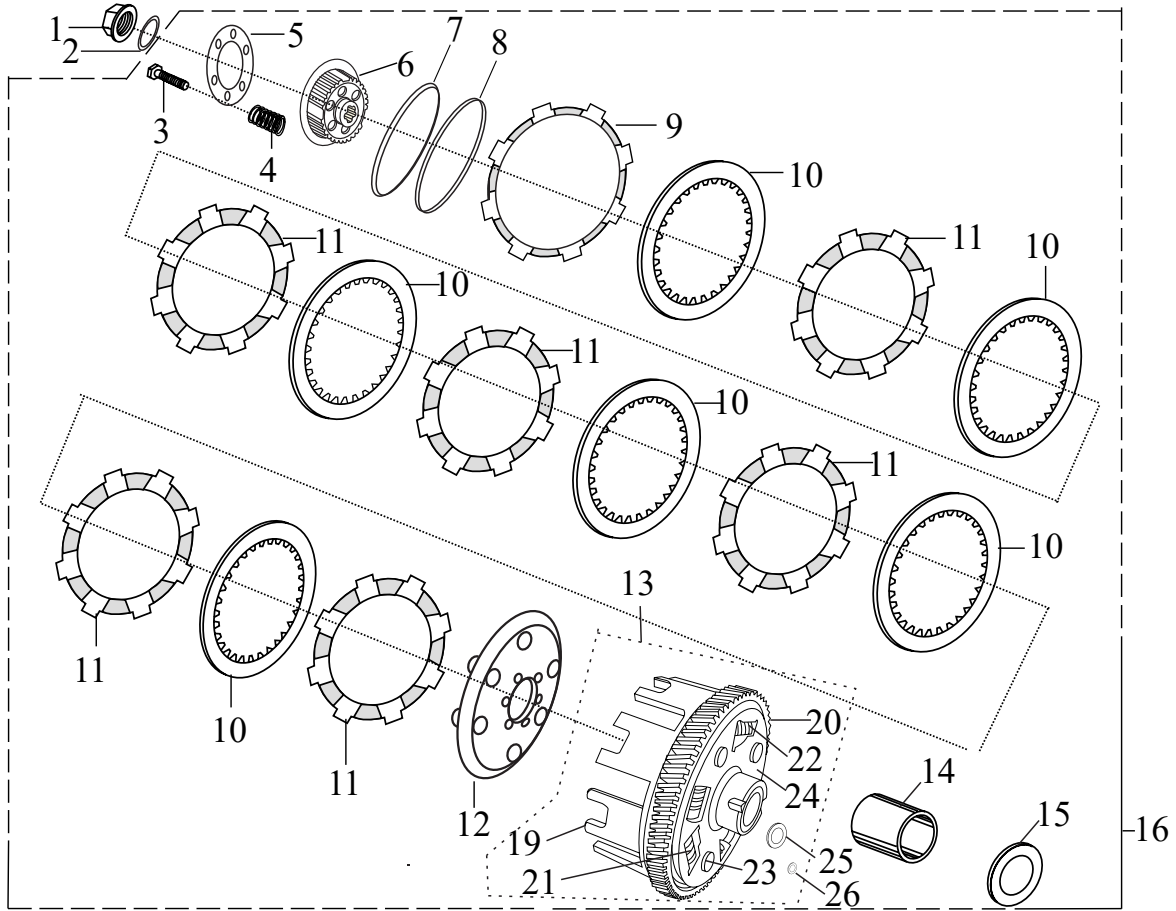


PLATE-I
CLUTCH ASSEMBLY

Fig. No.	Part No.	Description	Qty	Remarks
2	36020026	WASHER	1	
13	36020061	HOUSING CLUTCH ASSY.	1	
14	36020011	DECLUTCH SLEEVE	1	

PLATE-J
CLUTCH LEVER ASSEMBLY

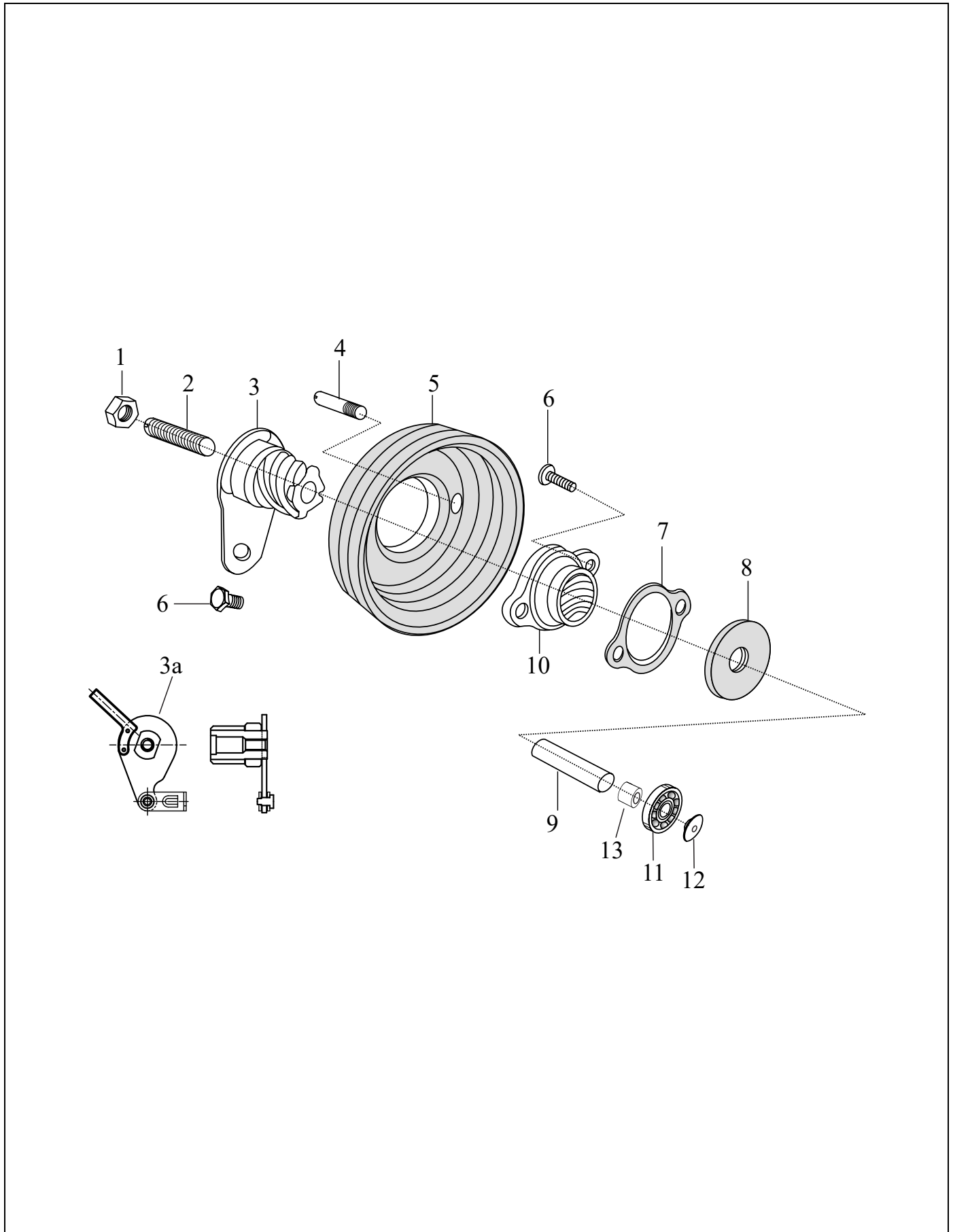


PLATE-J**CLUTCH LEVER ASSEMBLY**

Fig. No.	Part No.	Description	Qty	Remarks
1	80930060	FLANGE NUT M6	2	
2	36020015	SCREW-CLUTCH ADJ.	1	
3A	36010679	ASSEMBLY CLUTCH RELEASE WORM INNER	1	Modified - clutch s
4	36020017	PIN CLUTCH LEVER STOP	1	
5	36020018	CLUTCH RUBBER BOOT	1	
6	36030083	HEX FLANGE SCREW M6X16	2	
7	36020013	GASKET CLUTCH RELEASE LEVER	1	
8	36020057	OIL SEAL CLUTCH PUSH ROD	1	
9	36020025	PUSHROD CLUTCH RELEASE	1	
10	36020042	WORM GEAR OUTER	1	
11	36020030	BRG. BALL CLUTCH RELEASE (NRB)	1	
12	36020024	CUP CLUTCH RELEASE	1	
13	36020039	BUSH CLUTCH PUSH ROD	1	

PLATE-K
GEAR TRANSMISSION

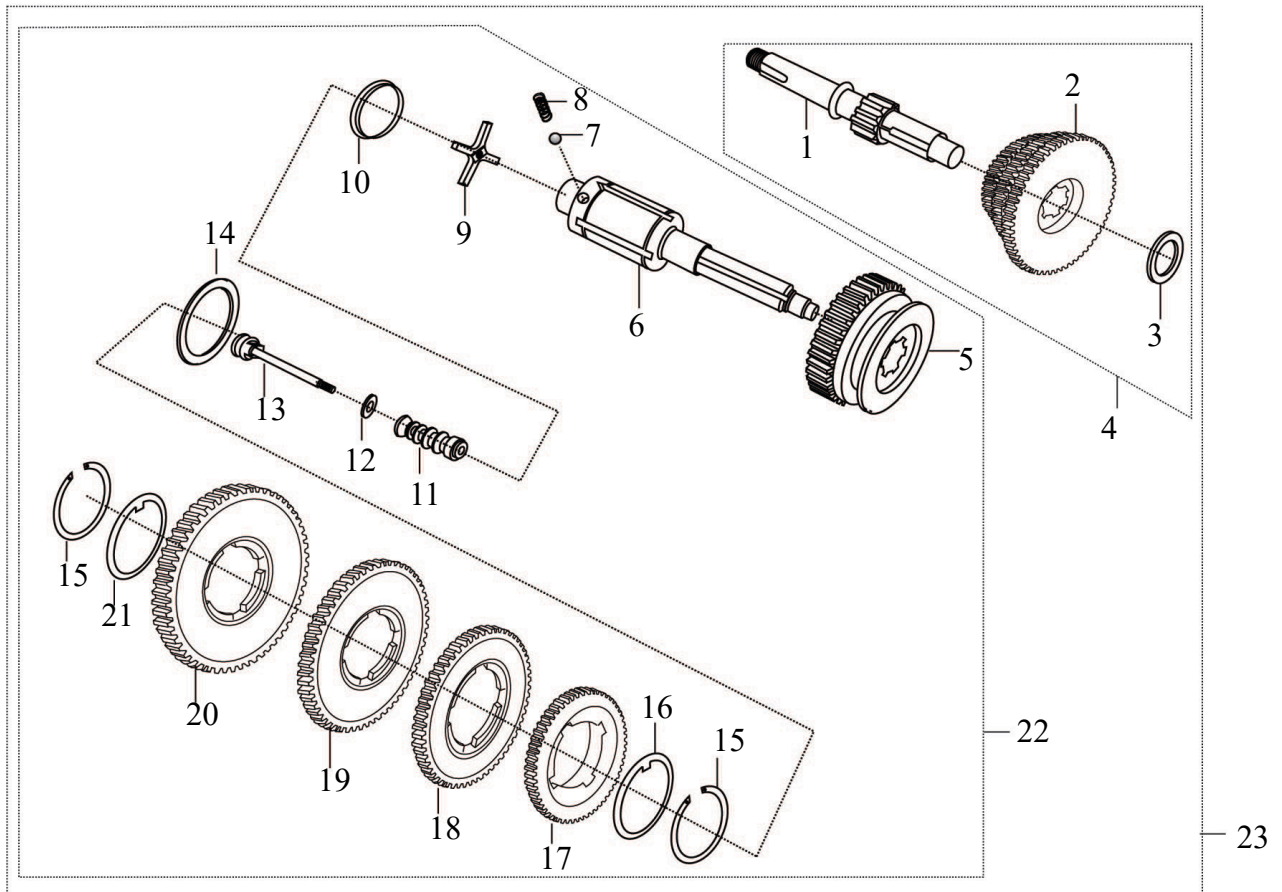


PLATE-K
GEAR TRANSMISSION

Fig. No.	Part No.	Description	Qty	Remarks
1	36030020	SHAFT MULTI GEAR	1	
2	36030021	GEAR MULTIPLE 2,3 & 4	1	
3	36030022	WASHER 18.1X2X31	1	
4	36030019	ASSY. MULTIPLE GEAR SHAFT	1	
5	36030008	GEAR REVERSE CONTROL	1	
6	36030007	COUNTER SHAFT	1	
7	75650516	STEEL BALL	2	
8	36030005	COMPRESSION SPRING	2	
9	36030004	P.T.CROSS	1	
10	36030003	FLAT WASHER 29X1.8X45	1	
11	36030016	GEAR SLECTOR	1	
12	36030017	WASHER 7.6X0.8X18	1	
13	36030094	GUIDE ROD SHIFTER	1	
14	36030002	STOP COLLAR	1	
15	36030009	CIRCLIP (SPL)	2	
16	36030010	SPLINE WASHER B	1	
17	36030011	4TH SPEED GEAR	1	
18	36030012	3RD SPEED GEAR	1	
19	36030013	2ND SPEED GEAR	1	
20	36030014	1ST SPEED GEAR	1	
21	36030015	SPLINE WASHER A	1	
22	36030066	ASSEMBLY MAIN SHAFT	1	
23	36030053	ASSEMBLY, COUNTER SHAFT	1	

PLATE-L
SELECTOR SHIFTER ASSEMBLY

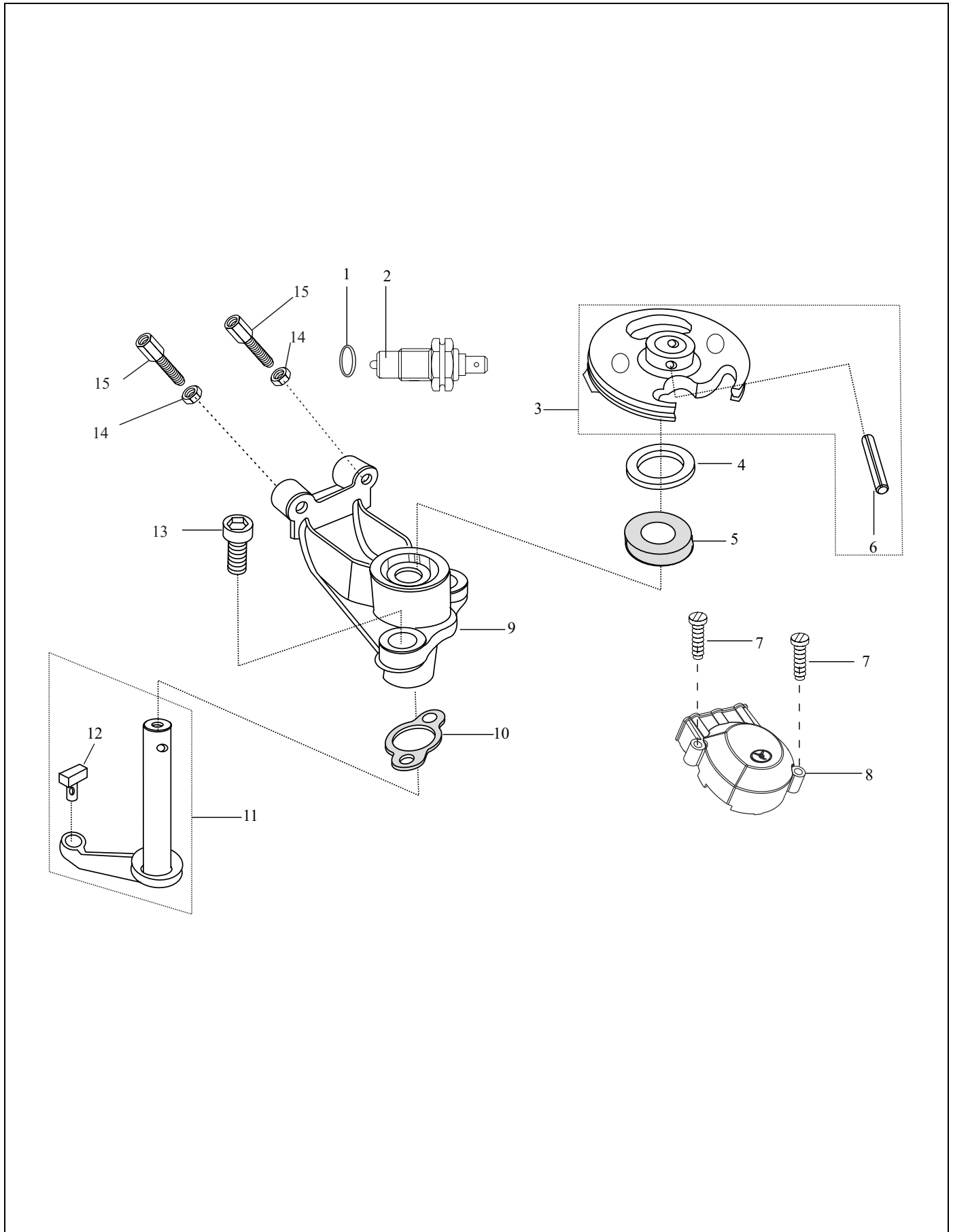


PLATE-L
SELECTOR SHIFTER ASSEMBLY

Fig. No.	Part No.	Description	Qty	Remarks
1	36030084	WASHER (12X16X2)	1	
2	36010181	NEUTRAL SWITCH	1	
3	36030091	PLATE GEARSHIFT	1	
4	36030089	WASHER (10.2 \diamond 2 \diamond 27)	1	
5	36030119	OIL SEAL-GEAR SHIFTER HSG (HI TECH)	1	
6	36010100	SPRING DOWEL SLEEVE	1	
7	36030093	HEX FLANGE SCREW M5X25	2	
8	36030092	COVER-FLANGE GEAR SHIFTER	1	
9	36030082	FLANGE GEAR SHIFTER	1	
10	36030081	GASKET GEAR SHIFTER HOUSING	1	
11	36010233	ASSY. SHIFT FORK SHAFT	1	
12	36010231	SLIDER BLOCK SHIFT GEAR	1	
13	36030083	HEX FLANGE SCREW M6X16	2	
14	36030086	NUT M6	2	
15	36030118	ADJUSTER - GEAR CABLE	2	

PLATE-M
STARTING MECHANISM & DIFFERENTIAL ASSEMBLY

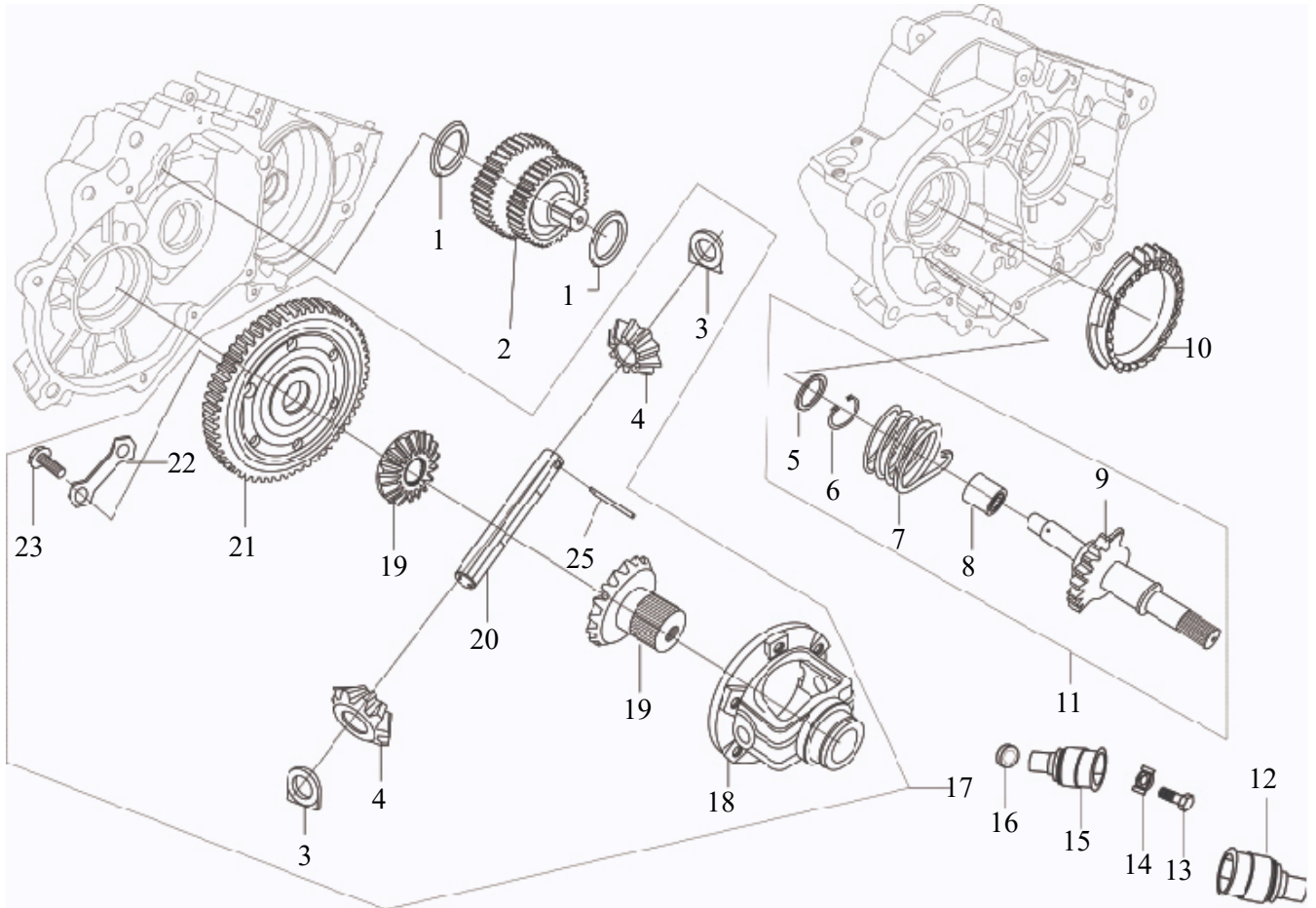


PLATE-M**STARTING MECHANISM & DIFFERENTIAL ASSEMBLY**

Fig. No.	Part No.	Description	Qty	Remarks
1	36030024	WASHER 16.1X3X29.8	2	
2	36030023	IDLE GEAR(NO OF TEETH 41/36)	1	
3	36030027	SPACER	2	
4	36030028	BEVEL GEAR	2	
5	36030048	WASHER 18.2X1.7X28	1	
6	36030049	SPL CIRCLIP (START SHAFT)	1	
7	36030050	HAND START RETURN SPRING	1	
8	36030051	RETURN SPRING SEAT	1	
9	36030052	SECTOR GEAR ASSY.	1	
10	36030046	STARTER DRIVEN GEAR	1	
11	36030047	HAND START SHAFT COMP	1	
12	36030042	FLANGE ENGINE SIDE RH	1	
13	36080022	HEX FLANGE SCREW M8X16	2	
14	36060019	SPL. HEX FLANGE SCREW M8	2	
15	36030034	FLANGE ENGINE SIDE LH	1	
16	36030054	O RING 19X1.8	2	
17	36030031	DIFFERENTIAL ASSY.	1	
18	36030030	DIFFERENTIAL HOUSING	1	
19	36030026	PLANET GEAR	2	
20	36030029	BEVEL GEAR PIN	1	
21	36030025	FINAL DRIVE GEAR (NO OF TEETH 77)	1	
22	36030032	LOCK WASHER	3	
23	80457376	HEX HEAD SCREW M8X20	6	
24	36040200	KIT SATELLITE GEAR	1	Included Fig. 4,19
25	36030071	PIN DIFFERENTIAL HOUSING	1	
26	36120053	DIFFERENTIAL ASSY. WITH MUFF UP(GEMINI)	1	

PLATE-N
DEFERENTIAL COVER

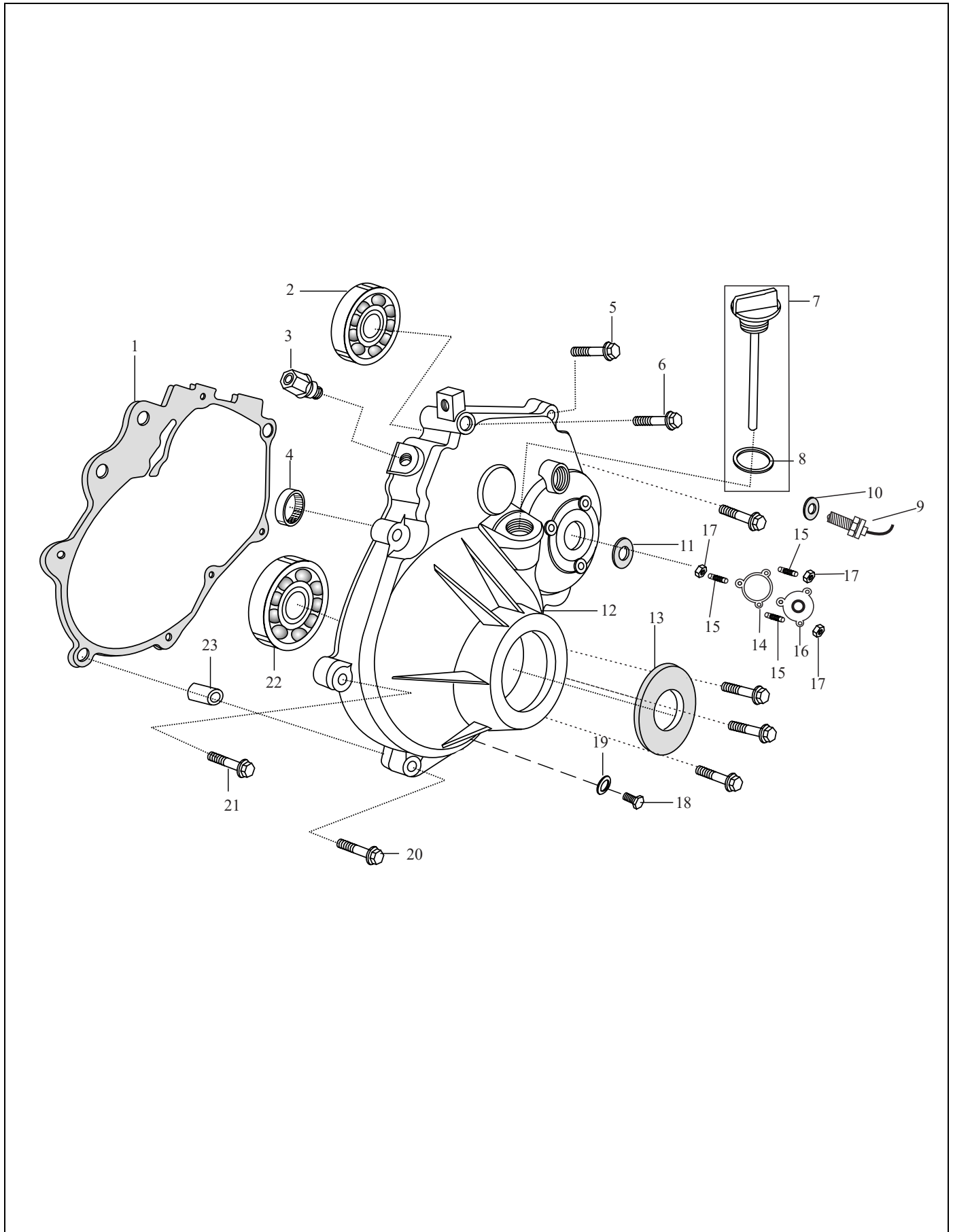
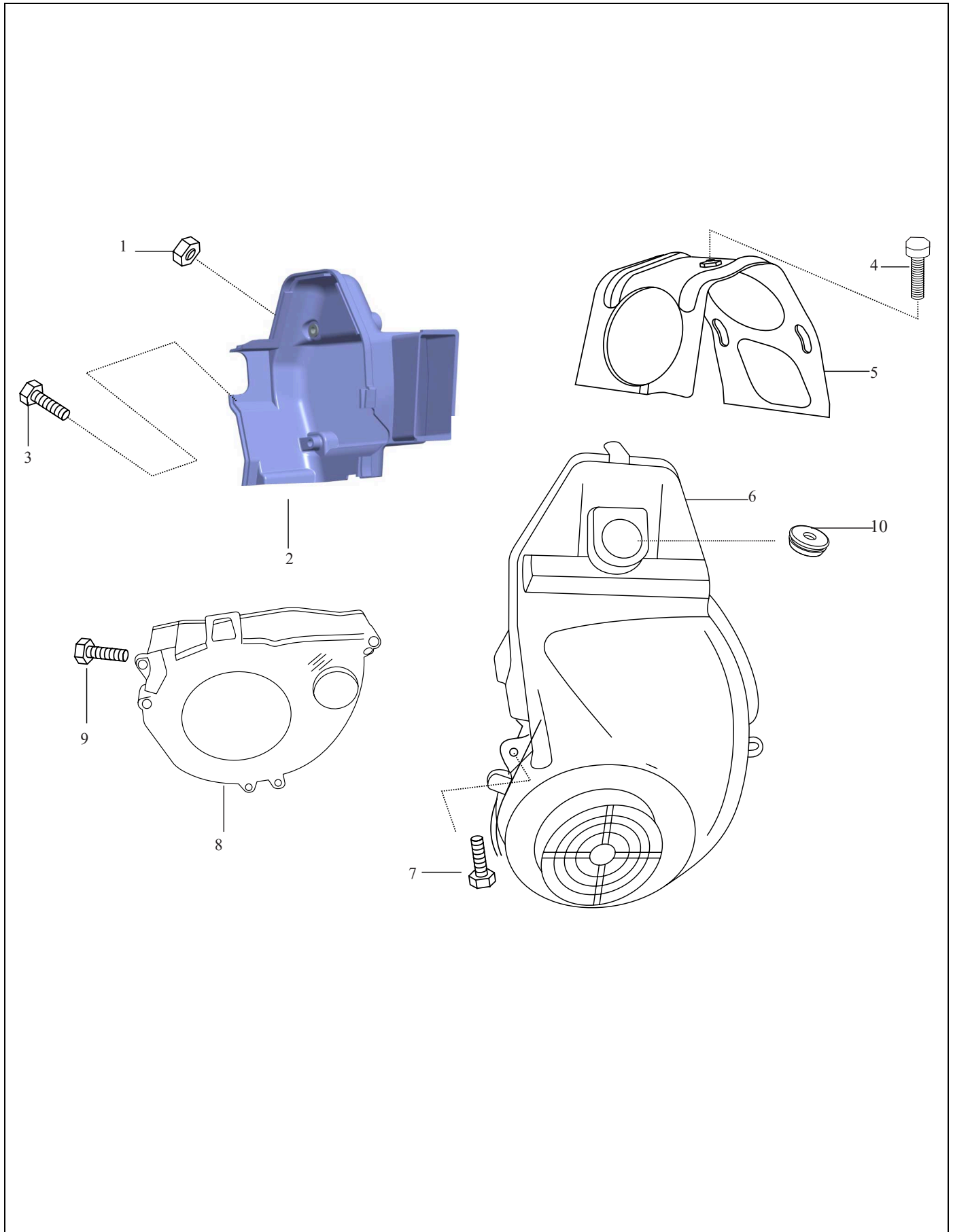


PLATE-N
DEFERENTIAL COVER

Fig. No.	Part No.	Description	Qty	Remarks
1	36010160	GASKET FOR DIFFERENTIAL COVER	1	
2	36010163	BRG. BALL DIFF. ASSY. SUPPORT	1	
3	36010162	BREATHER DIFF. COVER	1	
4	36010161	BRG. NEEDLE IDLER GEAR	1	
5	36010130	HEX FLANGE SCREW M6X32	1	
6	36010165	HEX FLANGE BOLT M6X50	1	
7	36010167	DIPSTICK (DIFF COVER)	1	
8	36010166	O RING DIP STICK	1	
9	36087080	REVERSE LIGHT SWITCH ASSY.	1	
10	36030084	WASHER (12X16X2)	1	
11	36010804	OIL SEAL-MAIN SHAFT TO DIFF. COVER	1	
12	36010182	CRANK CASE COVER	1	
13	36010803	OIL SEAL -DIFF FLANGE	1	
14	36010168	GASKET FARE METER COVER	1	
15	36010171	STUD M6 X 35	3	
16	36010169	FARE METER COVER	1	
17	80930060	FLANGE NUT M6	3	
18	36010054	HEX FLANGE SCREW M6X12	1	
19	36010511	WASHER COPPER	1	
20	36010206	HEX FLANGE BOLT M6X30	4	
21	36010072	HEX FLANGE BOLT M6X35	3	
22	36010179	BRG. BALL -MAIN SHAFT LH	1	
23	36010030	HOLLOW DOWEL 10 DIA X 14L	2	

PLATE-O
COWLINGS



**PLATE-O
COWLINGS**

Fig. No.	Part No.	Description	Qty	Remarks
1	80930060	FLANGE NUT M6	2	
2	36010201	COWLING `B	1	
3	36010133	HEX FLANGE BOLT M6X65	1	
4	36010148	HEX FLANGE SCREW M6X20	1	
5	36010716	COWLING TOP	1	
6	36010205	COWLING `A	1	
7	36010206	HEX FLANGE BOLT M6X30	3	
8	36010207	COWLING C	1	
9	36010148	HEX FLANGE SCREW M6X20	3	
10	36090031	GROMMET SPARK PLUG CAP	1	

PLATE-P
MAGNETO ASSEMBLY

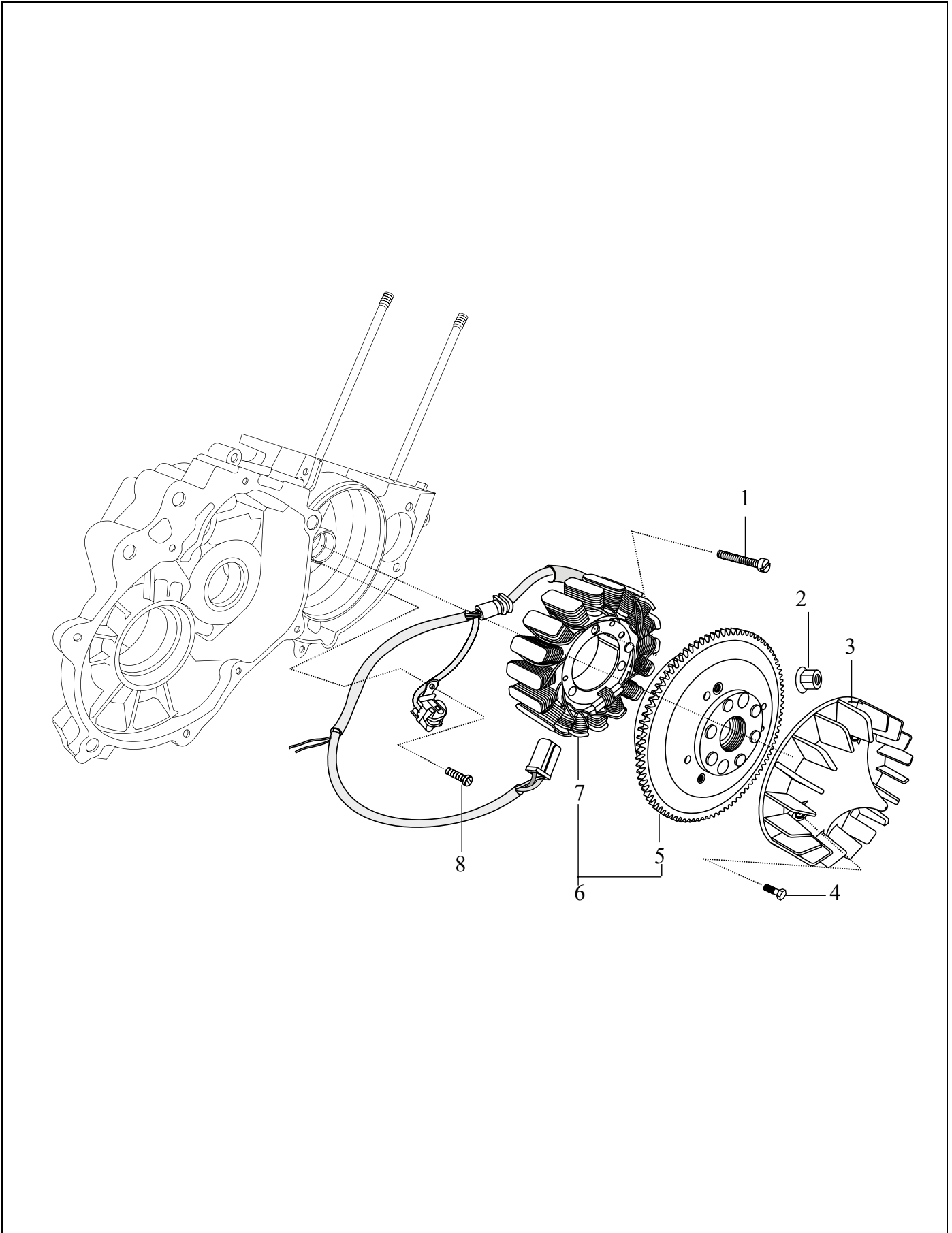


PLATE-P
MAGNETO ASSEMBLY

Fig. No.	Part No.	Description	Qty	Remarks
1	36080220	SCREW SOCKET HEAD - STATOR	3	Modified (05.03.201
2	36080008	NUT M14X1.5	1	
3	36080005	FAN	1	
4	36010072	HEX FLANGE BOLT M6X35	3	
6	36080001	MAGNETO	1	
8	36080006	SLOTTED CHEESE HEAD SCREW M5X12	2	

PLATE-Q
OIL PUMP AND OIL STRAINER

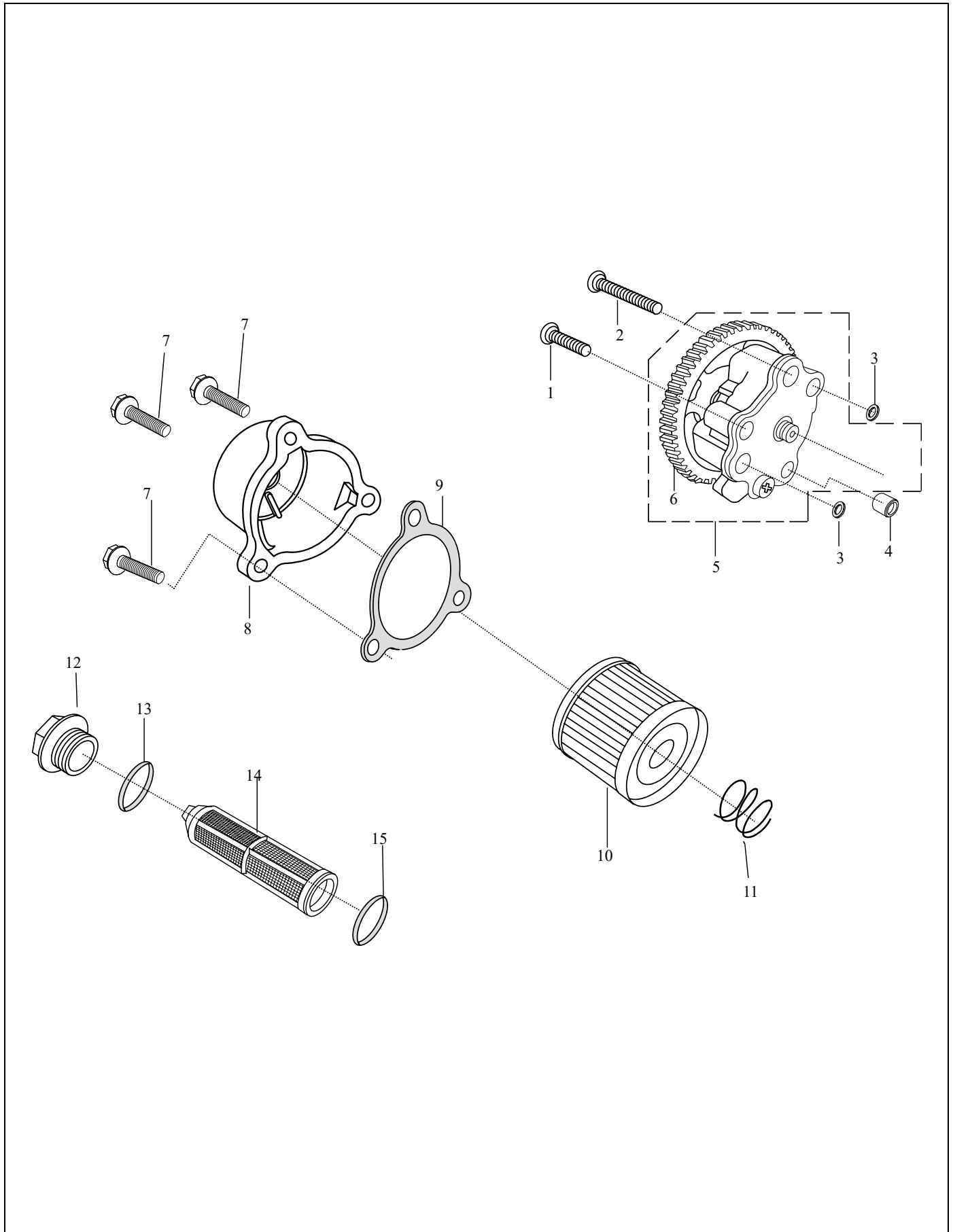


PLATE-Q
OIL PUMP AND OIL STRAINER

Fig. No.	Part No.	Description	Qty	Remarks
1	36010190	SLOTTED CHEESE HEAD SCREW M6X30	2	
2	36010189	SLOTTED CHEESE HEAD SCREW M6X35	1	
3	36010099	O-RING REV. SHAFT	2	
4	36010188	HOLLOW DOWEL 8 DIA X14 L	1	
5	36017200	ASSEMBLY OIL PUMP	1	
5	36017200	ASSEMBLY OIL PUMP	1	
6	36010186	GEAR COMP DRIVEN	1	
7	36010148	HEX FLANGE SCREW M6X20	3	
8	36010149	OIL FILTER COVER	1	
9	36010147	GASKET OIL FILTER	1	
10	36010218	ASSEMBLY OIL FILTER	1	
11	36010145	SPRING OIL FILTER	1	
12	36010193	CAP STRAINER	1	
13	36010191	O RING 21X3 (CAP STRAINER)	1	
14	36010192	STRAINER OIL	1	
15	36010194	O RING 18X1.5 (STRAINER)	1	
16	36010300	KIT OIL STRAINER	1	Included Fig. 14,15

PLATE-R
STARTER MOTOR

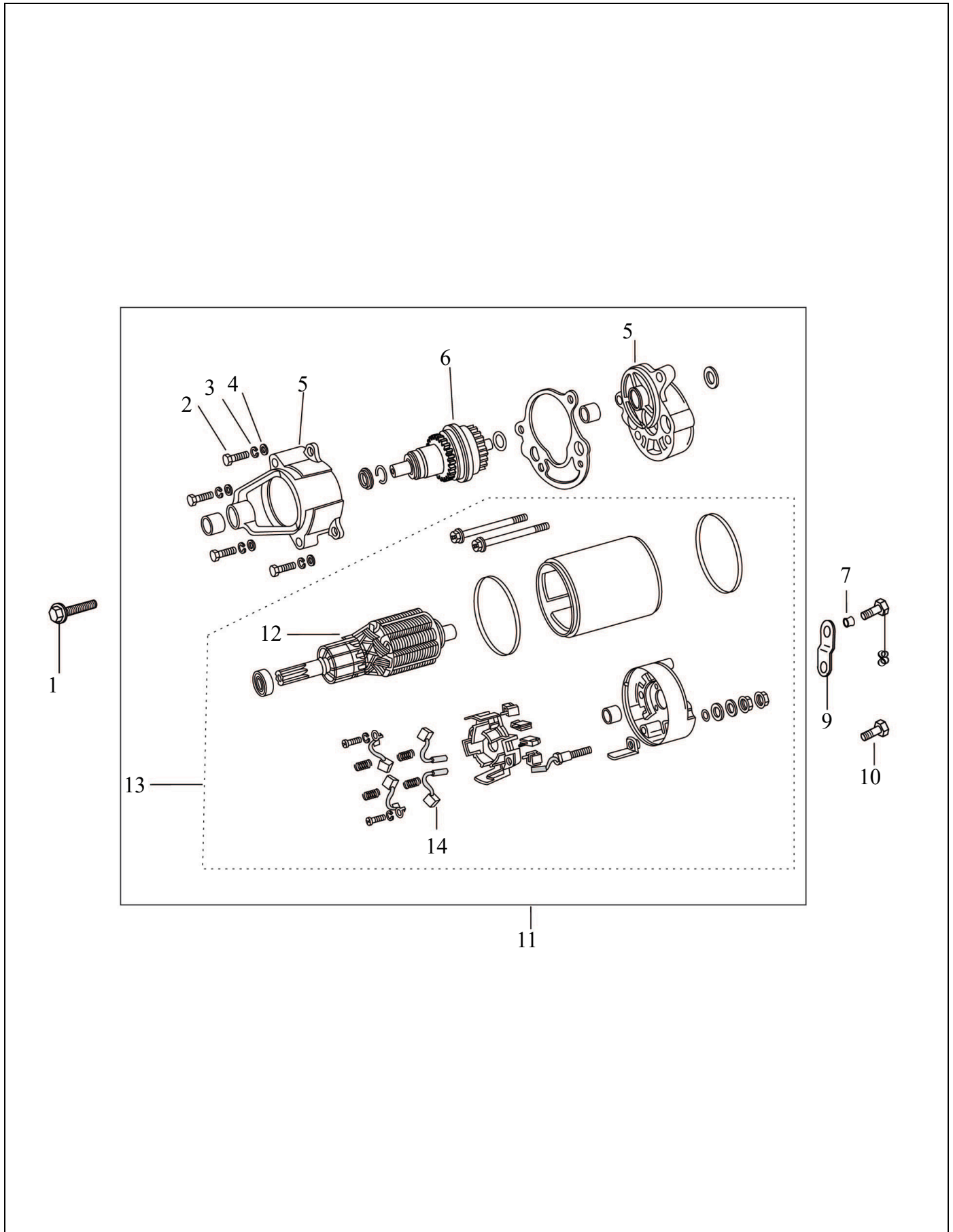


PLATE-R
STARTER MOTOR

Fig. No.	Part No.	Description	Qty	Remarks
1	36080028	HEX FLANGE SCREW M8X30	3	
2	36080027	BOLTM5X12	4	Not supply
3	81020053	SPRING WASHER M5	4	
4	36080025	WASHER	4	Not supply
5	36080021	STARTER MOTOR GEAR COVER	1	Not supply
6	61080023	BENDIX ASSEMBLY STARTER MOTOR (VARROC)	1	
7	36080092	SPACER-STARTER MTG.RR	1	Not supply
8	36010148	HEX FLANGE SCREW M6X20	1	
9	36080029	STARTER MOTOR MTG BRACKET	1	Not supply
10	36080022	HEX FLANGE SCREW M8X16	1	
11	61080022	STARTER MOTOR ASSY (VARROC)	1	
11	61080022	STARTER MOTOR ASSY (VARROC)	1	VARROC
12	33086051	ARMATURE	1	Varroc child part
13	36080024	STARTER MOTOR	1	Varroc child part
14	33086052	CARBON BRUSH	1	Varroc child part

PLATE-S
ELECTRIC ELEMENTS

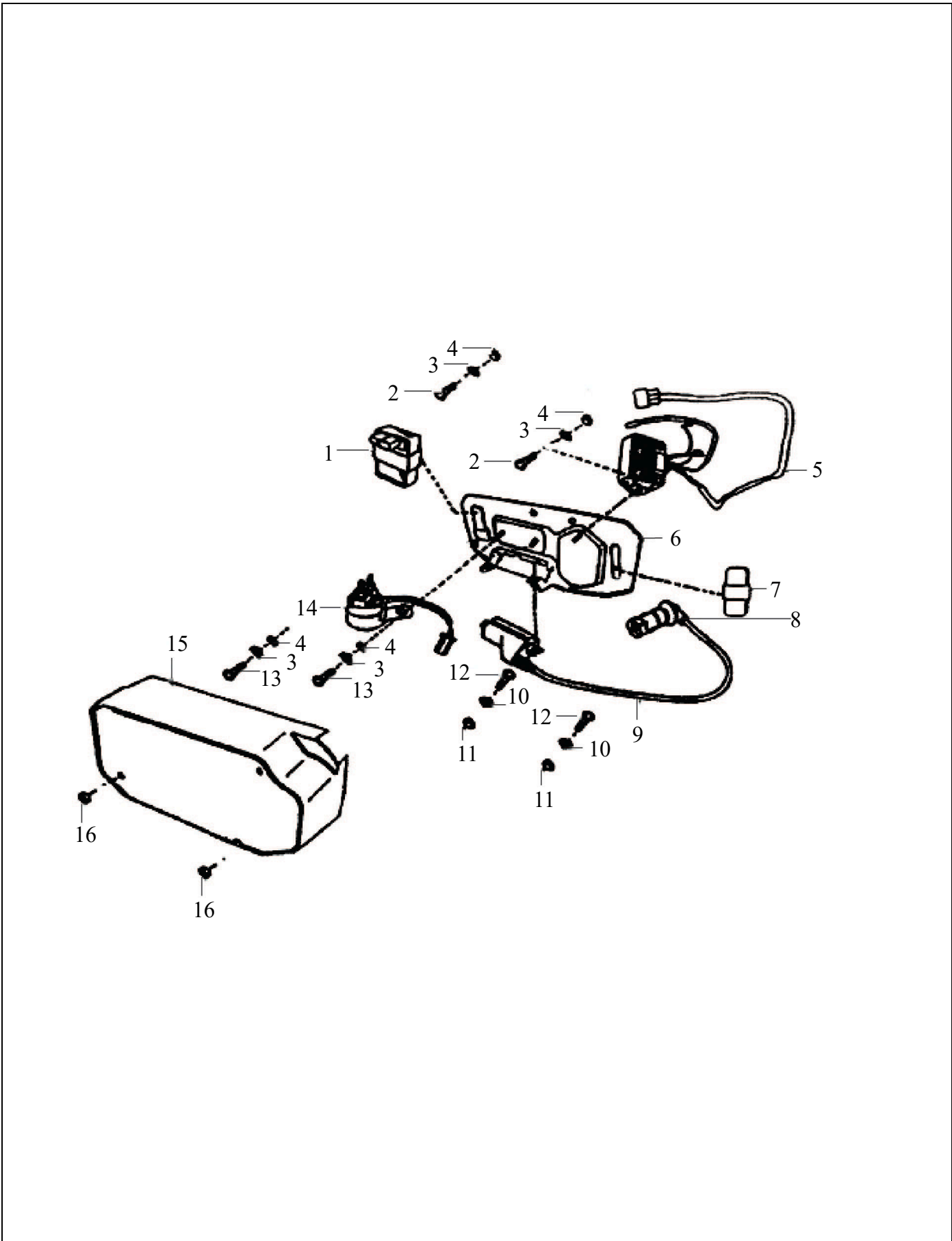


PLATE-S
ELECTRIC ELEMENTS

Fig. No.	Part No.	Description	Qty	Remarks
2	80477298	HEX FLANGED SCREW M6X25	2	
3	81020064	SPRING WASHER M6	4	
4	73060064	WASHER [M6]	4	
5	36080054	VOLTAGE REGULTOR	1	
6	36052400	PLATE ASSY IGNITION BOX	1	
7	36082170	STARTER MOTOR INTER LOCKING RELAY	1	
8	36082101	SUPPRESSOR CAP (SPARK PLUG)	1	For spare
9	36082100	IGNITION COIL C-CORE CNG (AEL) (HT COIL)	1	
10	81020053	SPRING WASHER M5	2	
11	73060053	PLAIN WASHER M5	2	
12	80457256	HEX HD SCREW M5X20 CL 8.8 BLACKEND	2	
13	80457292	HEX HEAD SCREW M6 12	2	
14	36080049	START RELAY	1	
15	36080041	COWLING	1	
16	80930060	FLANGE NUT M6	2	
16	80457294	SCREW [M6 X 16]	4	
17	73060064	WASHER [M6]	2	Starter Relay Mtg.
18	81020064	SPRING WASHER M6	2	Starter Relay Mtg.
19	80457294	SCREW [M6 X 16]	2	CDI Cover Mtg.
20	73060064	WASHER [M6]	2	
21	81020064	SPRING WASHER M6	2	

PLATE-1
ENGINE SUPPORT

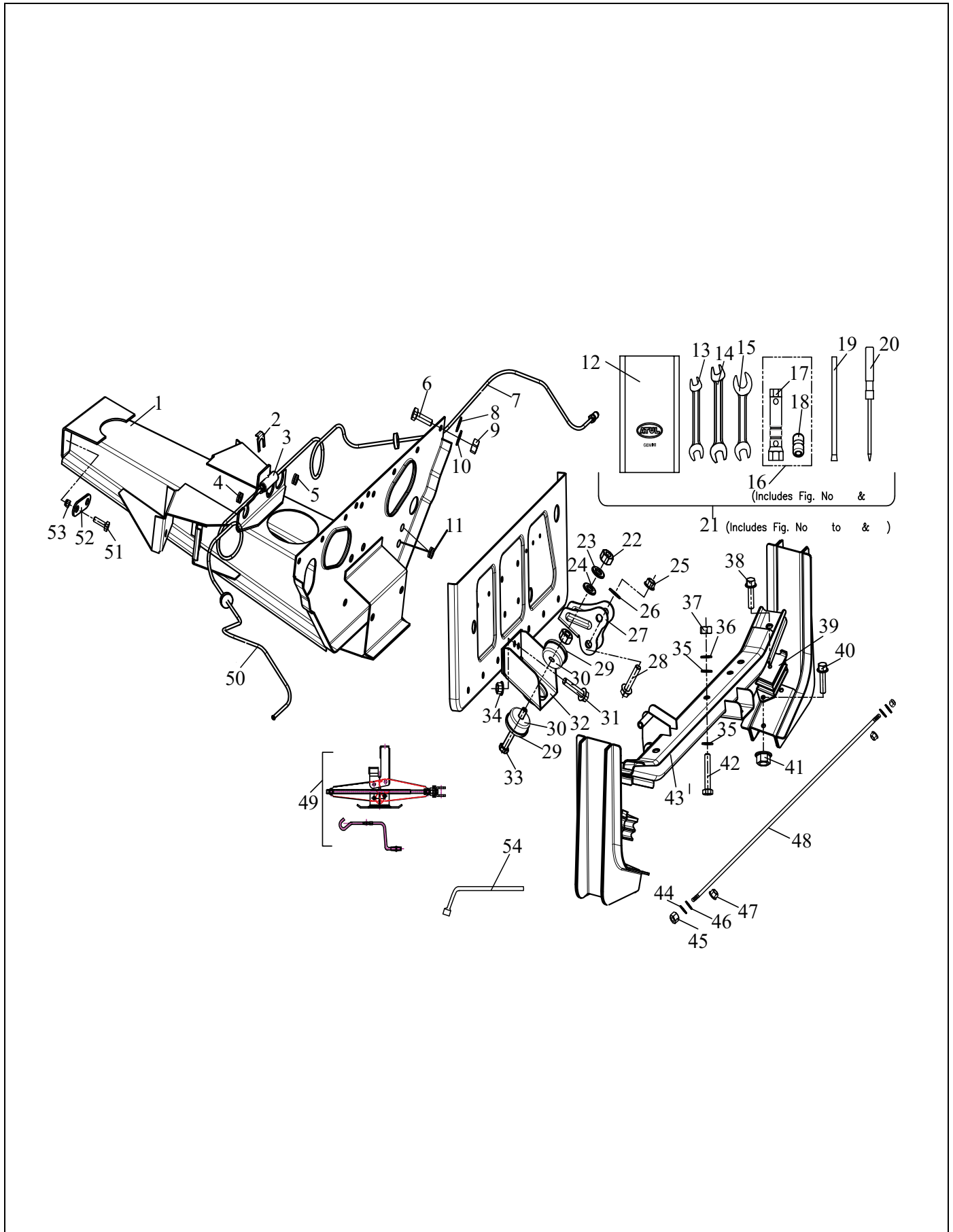


PLATE-1
ENGINE SUPPORT

Fig. No.	Part No.	Description	Qty	Remarks
1	36010510	ES BRACKET	1	
2	27040549	PLATE FOR RETAINING THE BRAKE FLEX. PIPE	1	
3	29040253	THREE WAY CONNECTOR BRAKE TUBE	1	
4	27050527	GROMMET	1	
5	27050520	GROMMET ENGINE FRAME RH SIDE	2	
6	80457378	HEX HEAD SCREW M8X25	6	
7	33042102	REAR BRAKE PIPE RH	1	
8	73060084	PLAIN WASHER M8	6	
9	80757012	HEX NUT M8	6	Rear mtg.
10	81020084	SPRING WASHER M8	6	Rear mtg.
11	27070089	GROMMET (ENGINE FRAME)	2	
12	27090055	TOOL BAG	1	
13	36090015	DE SPANNER 10/13	1	
14	27090053	DOUBLE END SPANNER 12/14	1	
15	36090016	DE SPANNER 14/17	1	
16	36090011	SPANNER ASSY SPARK PLUG	1	
17	36090011	SPANNER ASSY SPARK PLUG	1	
18	36090011	SPANNER ASSY SPARK PLUG	1	
19	36090017	ROD (SPARK PLUG SPANNER)	1	
20	27090058	SCREW DRIVER DOUBLE BLADE	1	
21	36090010	TOOL KIT SET	1	
22	80777014	HEX NUT M10X1.25P	2	
23	81050010	WAVE SPRING WASHER M10	1	Eng. Mtg bkt fr. To
24	73060110	PLAIN WASHER M10	1	
25	80930100	HEX FLANGED NUT M10	2	
26	81020105	SPRING WASHER M10	2	
27	36010315	BRKT. ENG. MTG. FRONT SIDE	1	Engine mtg front
28	80367426	HEX FLANGED BOLT M10X55	2	Eng. Mtg bkt front
29	33010042	CUP (ENG. MTG. TOP & BTM)	2	
30	33010043	RUBBER PLUG (ENGINE MTG).	2	
31	80477378	HEX HEAD FLANGE SCREW M8X25	4	Eng. Mtg. bkt fr.
32	36010310	ENGINE MTG BKT FRONT ASSY	1	
33	36010313	HEX BOLT M10X78 CL 8.8 (ENGINE MTG FR)	1	
34	80930080	HEX FLANGED NUT M8	4	to chassis
35	73060110	PLAIN WASHER M10	4	Eng. Mtg rear
36	81050010	WAVE SPRING WASHER M10	2	
37	80757014	HEX NUT M10	2	
38	80477374	HEX FLANGE SCREW M8X16	2	Isolator to cross
39	36050004	RUBBER ISOLATOR (ENG. MTG. REAR)	2	
40	80477296	HEX HEAD FLANGED SCREW M6X20	4	member mtg.

PLATE-1
ENGINE SUPPORT

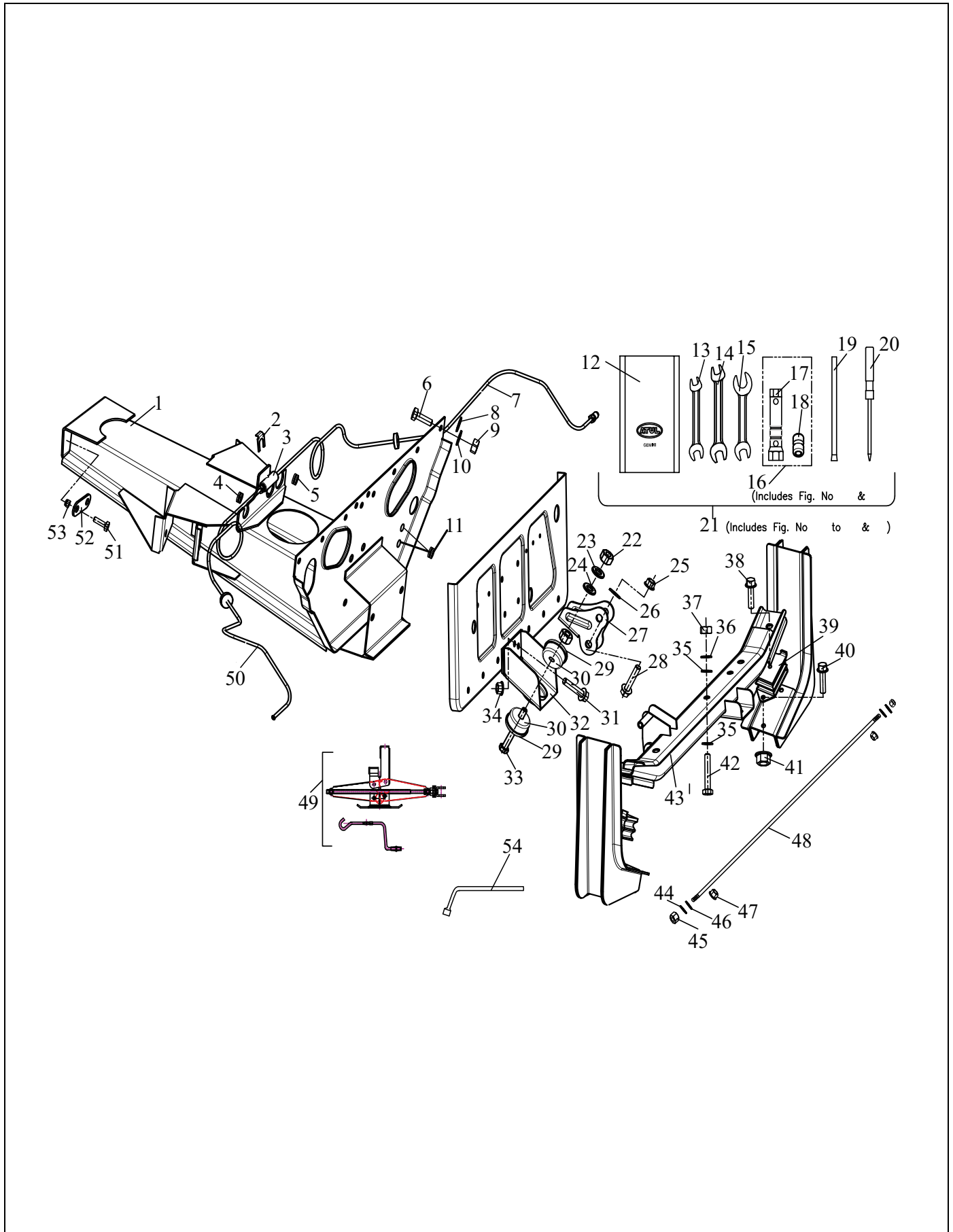


PLATE-1
ENGINE SUPPORT

Fig. No.	Part No.	Description	Qty	Remarks
41	80930060	FLANGE NUT M6	4	Rubber isolator to
42	80377432	HEX HD BOLT M10X80 CL 10.9	2	Eng. Mtg rear
43	36010320	CROSS MEMBER COMP ENG MTG REAR	1	
43	36018060	CROSS MEMBER COMP ENG MTG REAR	1	Modified (24/04/17)
44	81020084	SPRING WASHER M8	2	
45	80757012	HEX NUT M8	2	
46	73060084	PLAIN WASHER M8	2	
47	80930080	HEX FLANGED NUT M8	2	
48	36050012	TIE ROD	1	
49	27090066	JACK WITH TOMMY	1	
50	33042101	REAR BRAKE PIPE LH	1	
51	80457422	HEX HD SCREW M10X35 CL 8.8	2	
52	27010026	PLATE	1	Front mtg.
53	80920100	NYLOC NUT [M10]	2	
54	29090081	L TYPE SPANNER A/F	1	

PLATE-2
CHASSIS FRAME, FUEL TANK

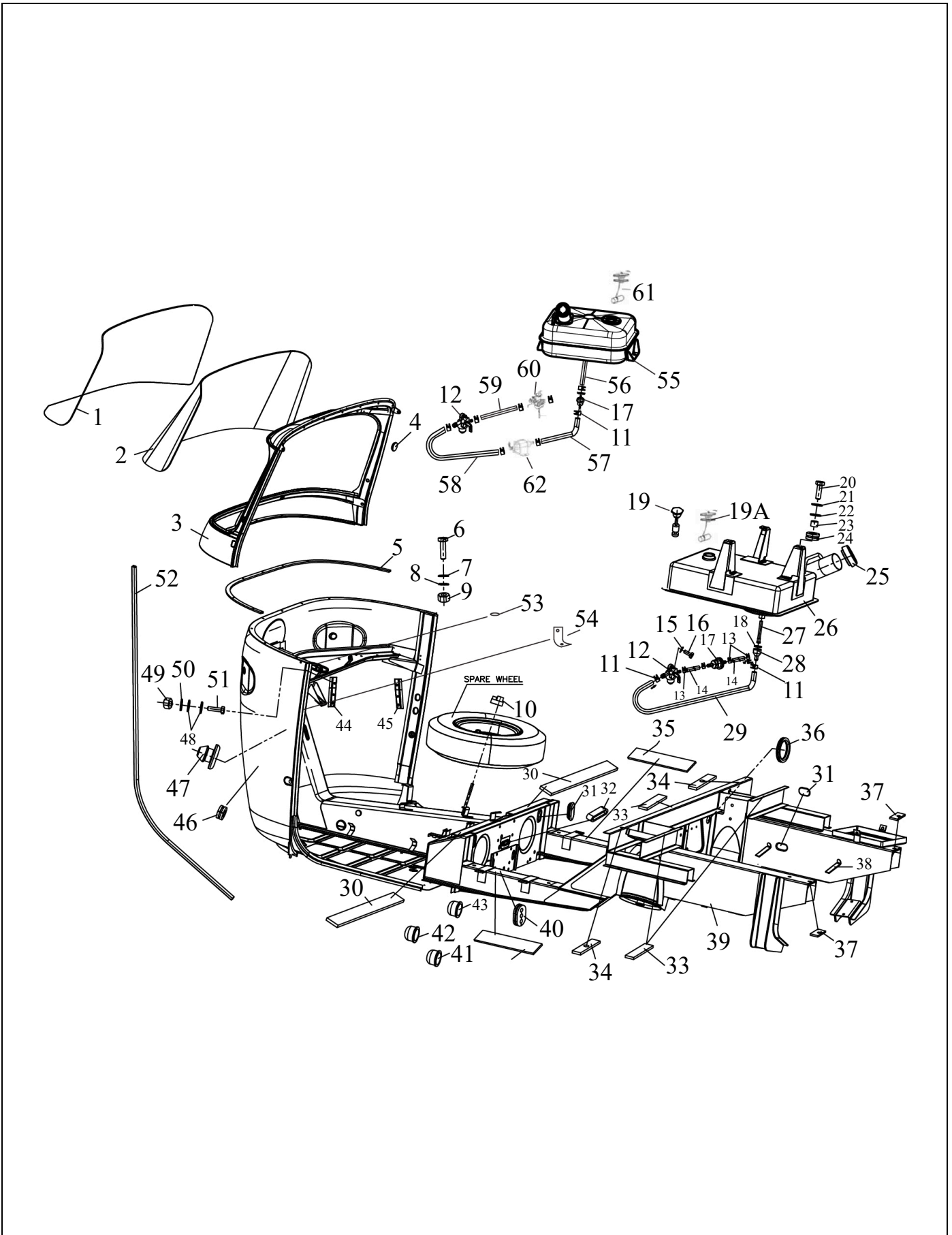


PLATE-2**CHASSIS FRAME, FUEL TANK**

Fig. No.	Part No.	Description	Qty	Remarks
1	27050544	WINDSHIELD PACKING	1	
2	27050546	LAMINATED WINDSCREEN GLASS (OPTIONAL)	1	
3	27050700	WINDSHIELD FRAME (PASSENGER)	1	
4	27052706	PLUG B PILLAR AND ROOF	2	
5	27050533	RUBBER PACKING DOME	1	
6	80457256	HEX HD SCREW M5X20 CL 8.8 BLACKEND	9	
7	81020053	SPRING WASHER M5	9	
8	73060053	PLAIN WASHER M5	18	
9	80757009	HEX NUT M5	9	
10	26080050	LOCK FOR BATTERY AND SPARE WHEEL	1	
11	27098048	HOSE CLIP	2	
12	36010434	FUEL COCK ASSY (SINGLE MTG)-PAVANA	1	
13	33012155	CLIP BREATHER HOSE AIR FILTR OUT GX 10MM	4	
14	36012024	FUEL PIPE	2	
15	73060064	WASHER [M6]	1	
16	80477296	HEX HEAD FLANGED SCREW M6X20	1	Fuel cock mtg.
17	36012080	FUEL FILTER ASSY. (GEMINI GX)	1	
18	40130047	COPPER WASHER	1	
19	36010431	FUEL LEVEL SENSOR	1	
20	80457296	HEX HEAD SCREW M6X20	3	Fuel tank mtg.
21	81020064	SPRING WASHER M6	3	
22	73060064	WASHER [M6]	3	
23	27010622	BUSH (FUEL TANK MTG)	3	
24	27010621	GROMMET (FUEL TANK MTG)	3	
25	33051136	FUEL TANK CAP WITHOUT LOCK	1	
26	36010550	FUEL TANK ASSY. GEMINI GX (PETROL)	1	
27	36010433	FILTER FUEL TANK OUTLET	1	
28	36010432	NIPPLE FUEL TANK 7.5L	1	
29	36010435	FUEL PIPE (7.5 FUEL TANK) (FUEL TANK TO FUEL COCK)	1	
30	29051025	PAD FOR BODY SUPPORT FRONT	2	
31	27050501	PLUG (RR FRAME ASSY & RR FRAME PART)	4	
32	27050522	GROMMET FOR CONTAINER (RR FRAME)	1	
33	36052307	PACKING (CROSS MEMBER REAR)	2	
34	33052401	PACKING	2	
35	36050005	PACKING FRONT SIDE (BODY MTG)	2	
36	27058276	GROMMET FOR FRAME HARNESS	1	
37	36052308	PACKING REAR SIDE	3	
38	27050504	INSULATING TUBE	12	
39	36050200	CHASSIS ASSY	1	
40	27050525	GROMMET (RR FRAME ASSY FOR SPEEDO CABLE)	1	

PLATE-2
CHASSIS FRAME, FUEL TANK

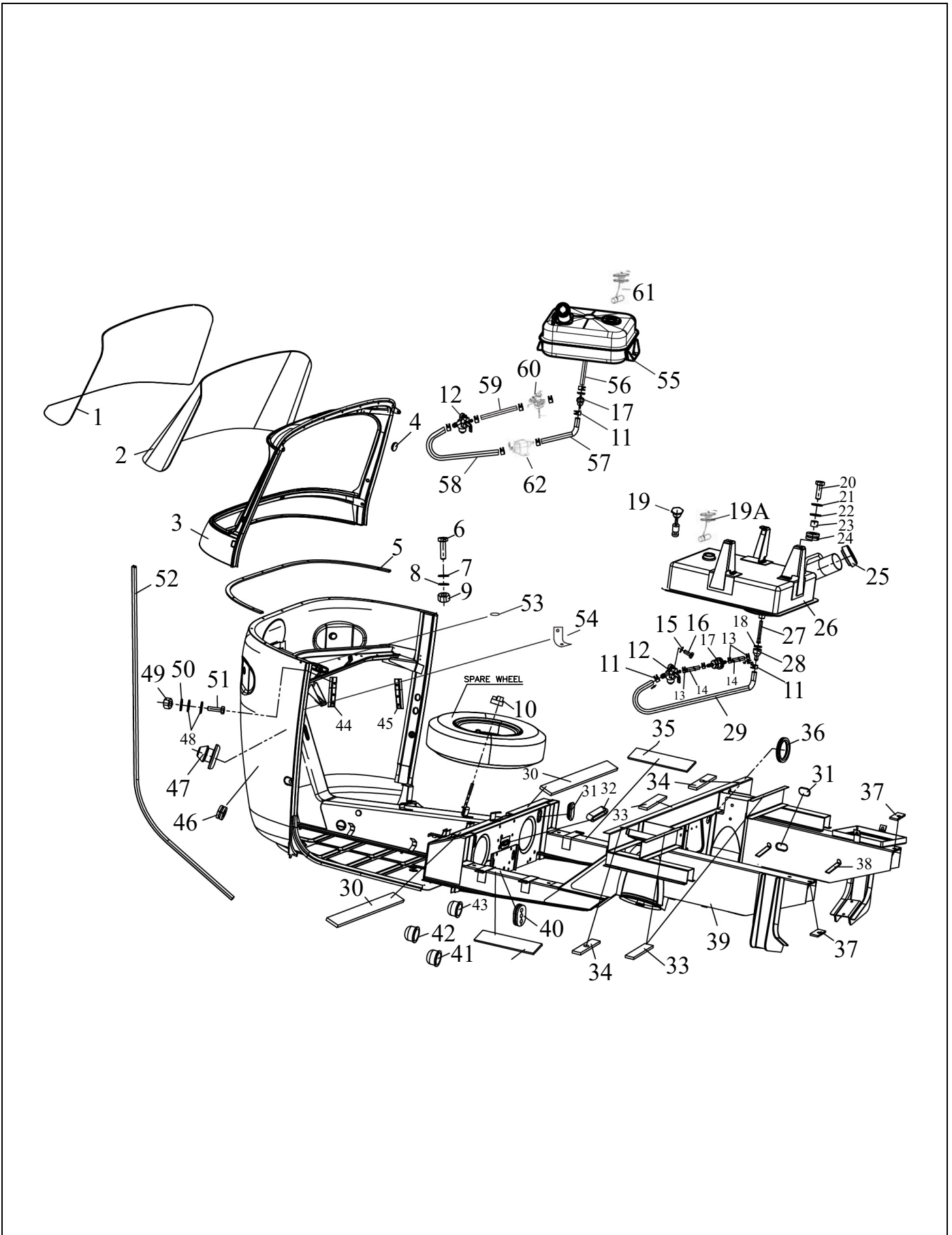


PLATE-2**CHASSIS FRAME, FUEL TANK**

Fig. No.	Part No.	Description	Qty	Remarks
41	27050507	CAPSULE (REAR FRAME)	1	
42	27050506	CAPSULE	1	
43	27050502	PLUG (RR ASSY & B PILLAR)	5	
44	27050297	VERTICAL MEMBER ATTACH. TO SHIELD LH	1	
45	27050298	VERTICAL MEMBER ATTACH. TO SHIELD RH	1	
46	27050528	CUT GROMMET FOR HORN	1	
47	27050531	PLUG (DOME)	2	
48	73060053	PLAIN WASHER M5	12	
49	80757009	HEX NUT M5	6	Vertical attach mtg
50	81020053	SPRING WASHER M5	6	
51	80008112	SCREW M5X12 (PASSENGER VERTICLE ATT.)	6	
52	27050523	WINDSHIELD SIDE PACKING	2	
53	27050527	GROMMET	1	Modified (Add clutc
54	36060125	BRACKET REV. CABLE SUPPORT	1	NEW
55	36010303	FUEL TANK ASSY. (10.5 LTR)	1	(08.06.2017)
56	36010319	FUEL PIPE (FUEL TANK TO FUEL FILTER)	1	For Fuel tank 10.5
57	36010329	FUEL PIPE (FUEL FILTER TO FUEL PUMP)	1	For Fuel tank 10.5
58	36010336	FUEL PIPE (FUEL PUMP TO FUEL COCK)	1	For Fuel tank 10.5
59	36010337	FUEL PIPE (FUEL COCK TO CARBURETOR)	1	For Fuel tank 10.5
61	27010058	TANK UNIT	1	For Fuel tank 10.5
62	36080087	ELECTRONIC SOLENOID FUEL PUMP	1	

PLATE-3
INNER PARTS OF CABIN

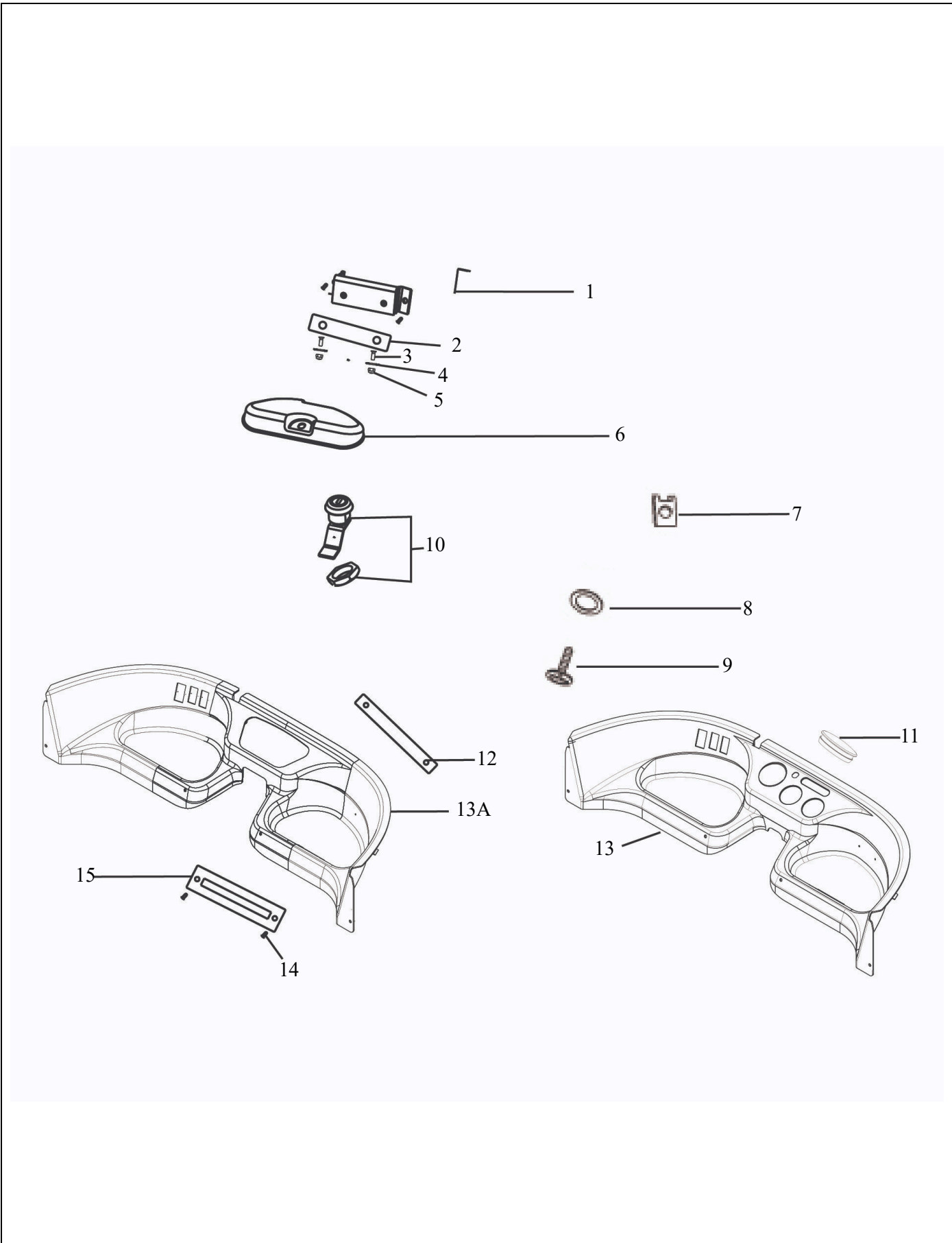


PLATE-3**INNER PARTS OF CABIN**

Fig. No.	Part No.	Description	Qty	Remarks
1	27050596	HINGE ASSY GLOW BOX COVER	1	Not supplied
2	27050597	PLATE HINGE MOUNTING	1	Not supplied
3	74900412	CSK. HEAD SCREW M4X12	2	Not supplied
4	81020041	SPRING WASHER M4	2	Not supplied
5	80920040	NYLOC NUT (M4)	2	Not supplied
6	27050558	COVER GLOVE BOX	1	Not supplied
7	27080193	SPRING PLATE	4	
8	27051088	PL WASHER 12X4.5X1	4	
9	27050725	PAN SELF TP SCREW 8SGX16AB	4	Dash board mtg.
10	27051135	LOCK GLOVE COMPARTMENT WITHOUT KEY	1	Not supplied
11	28050272	PLUG	2	Not supplied
12	27050598	SUPPORT PLATE RIVET DESH BOARD	1	Not supplied
13	36050120	DASHBOARD ASSY (INSTRUMENT CLUSTER)	1	
13A	36150120	DASHBOARD ASSY (INSTRUMENT CLUSTER)	1	Modified (Instrumen
14	75480310	POP RIVET 3.2X9.5	4	Not supplied
15	27050594	SUPPORT PLATE (GLOVE BOX COVER LOCK)	1	Not supplied

PLATE-4
CABIN COMPONENT

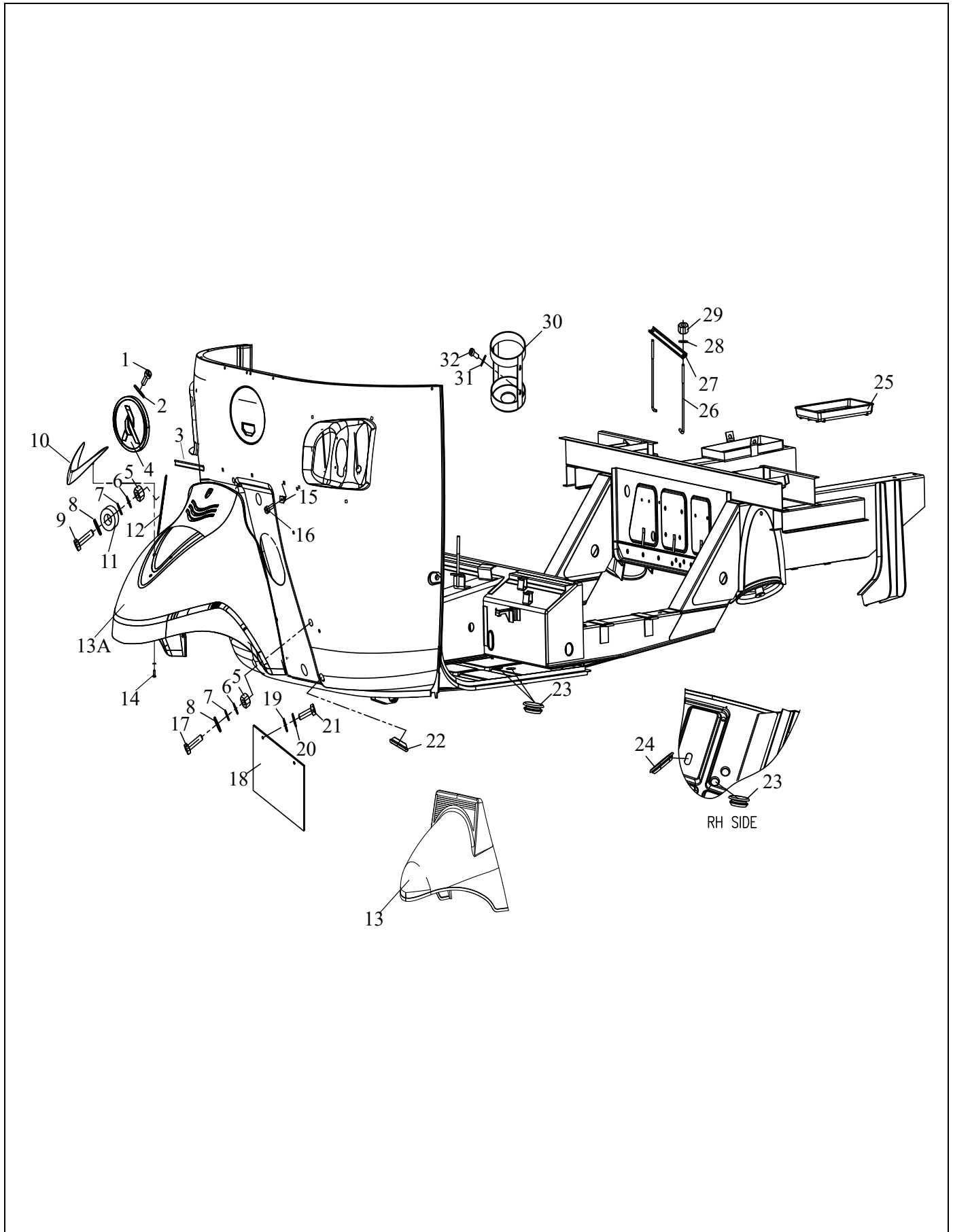


PLATE-4
CABIN COMPONENT

Fig. No.	Part No.	Description	Qty	Remarks
1	27050731	PAN SELF TAPING SCREW	2	
2	73060033	PL WASHER 7X3.3X0.5	2	
4	27151202	LOGO (ATUL NEW)	1	
5	80757010	NUT [M6]	6	
6	73060064	WASHER [M6]	6	
7	81050006	SPECIAL SPR WASHER M6	6	Fr. Mudguard mtg
8	73070064	PLAIN WASHER M6	6	
9	80457298	HEX HEAD SCREW M6X25	2	
11	27050619	SPACER FOR FRONT MUDGUARD	2	
12	27050576	GASKET FRONT MUDGUARD SIDE	2	
13	29050515	FRONT MUDGUARD	1	
15	27050568	SCREW ANCHOR	3	
16	36052904	PAN SELF TP SCREW M6SGX32AB	3	
17	80457296	HEX HEAD SCREW M6X20	4	
18	29050516	FRONT MUD FLAP	1	
19	73060064	WASHER [M6]	2	
20	81020064	SPRING WASHER M6	2	Fr mudflap mtg
21	80457294	SCREW [M6 X 16]	2	
22	27050526	PLUG (DOME)	2	
23	27050677	PLUG (CABIN FLOOR)	4	
24	27050678	RECT PLUG (CABIN FLOOR)	2	
25	27088511	TRAY, BATTERY (CNG)	1	Logo mtg
26	27088512	TIE ROD (BATTERY CLAMP) RH	2	
27	33082303	BATTERY CLAMP	1	
28	73060064	WASHER [M6]	2	
29	80757010	NUT [M6]	2	Battery clamp mtg
30	27090041	BOTTLE CARRIER STAND	1	
31	27051088	PL WASHER 12X4.5X1	2	
32	27050725	PAN SELF TP SCREW 8SGX16AB	2	Bottle carrier mtg

PLATE-5
RUBBER MAT, REAR MUDGUARD

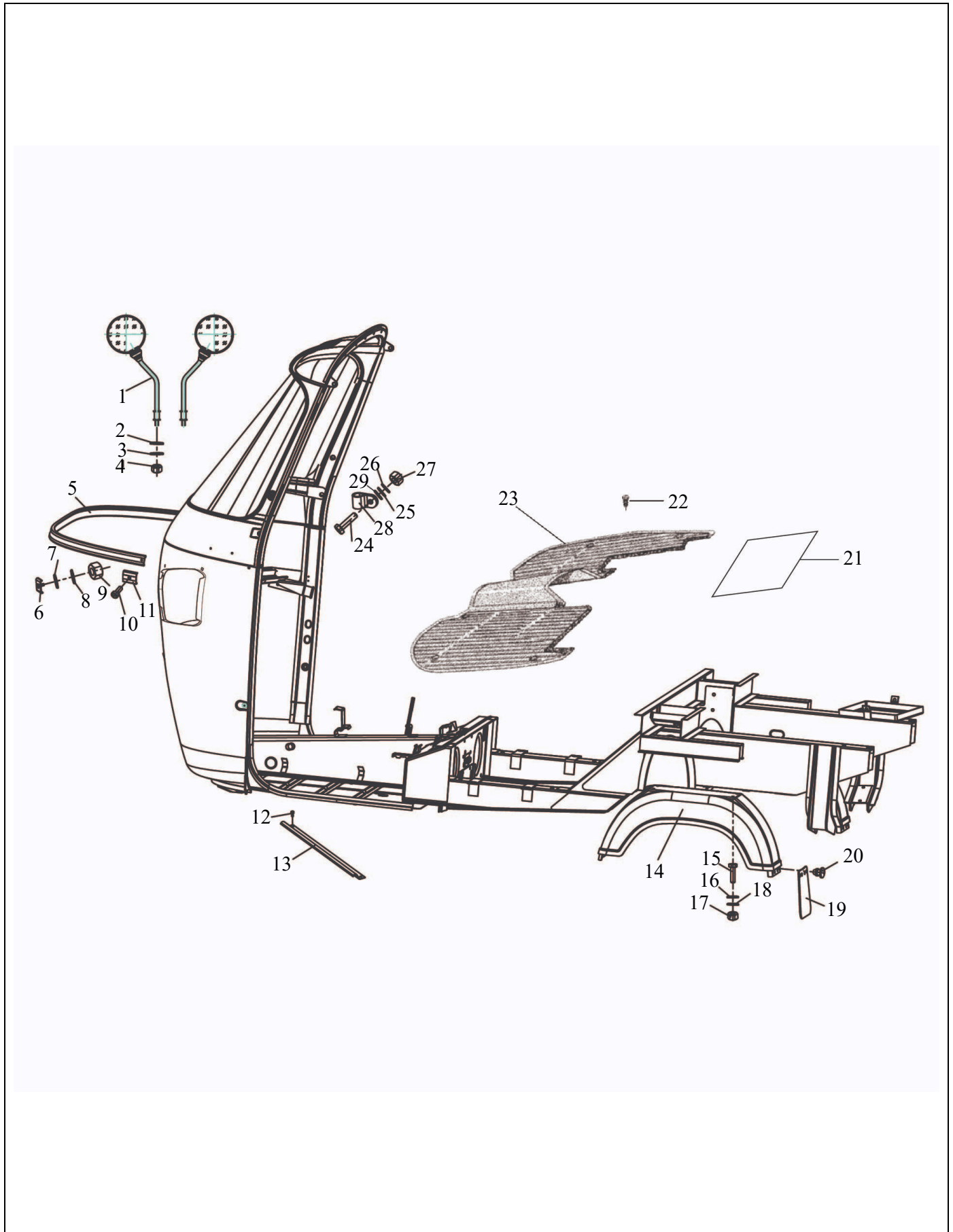


PLATE-5**RUBBER MAT, REAR MUDGUARD**

Fig. No.	Part No.	Description	Qty	Remarks
1	36050621	REAR VIEW MIRROR ASSY LH	1	
1	36050622	REAR VIEW MIRROR ASSY RH	1	
2	73060110	PLAIN WASHER M10	2	
3	81020105	SPRING WASHER M10	2	Rear view mirror mt
4	80757014	HEX NUT M10	2	
5	27050512	RIM COVERAGE JOINT	1	
6	27050514	SECURING PLATE ASSY	5	
7	27050516	PACKING (SECURING PLATE RIM COV. JT.)	5	
8	73060043	PLAIN WASHER	5	
9	80757007	HEX NUT M4	5	
10	27050725	PAN SELF TP SCREW 8SGX16AB	2	Rim cov. Joint
11	27050517	TERMINAL (RIM COVERAGE JOINT)	2	
12	27050729	SELF TAPPING SCREW 6SG X 9.5 AB	6	
13	27050335	LOWER PROTECTION PACKING DOOR	1	
13	27050335	LOWER PROTECTION PACKING DOOR	1	
13	27050335	LOWER PROTECTION PACKING DOOR	1	MCG00GMC4C1767482 D
14	29050511	REAR MUDGUARD RH	1	
14	29050512	REAR MUDGUARD LH	1	
15	80457254	HEX HEAD SCREW M5X16	8	
16	81020053	SPRING WASHER M5	8	Rear mudguard mtg
17	27050772	PLAIN METTALIC WASHER 15X5X1	8	
18	80757009	HEX NUT M5	8	Rear mudguard mtg
19	29050514	MUDFLAP FOR REAR MUDGUARD	2	
20	27050566	BUTTON (RUBBER NAIL)	8	
21	36090020	CARPET CABIN FLOOR RH	1	
22	27090015	KNOB	3	
23	33092051	CARPET - CABIN FLOOR	1	
24	80357385	HEX HEAD BOLT M8X45	2	
25	73060084	PLAIN WASHER M8	2	Mirror mtg
26	81020084	SPRING WASHER M8	2	Mirror mtg
27	80757012	HEX NUT M8	2	Mirror mtg
28	27050305	REAR VIEW MIRROR ATTACHMENT	2	
29	90500826	PLAIN WASHER M8	2	

PLATE-6
REAR SUSPENSION

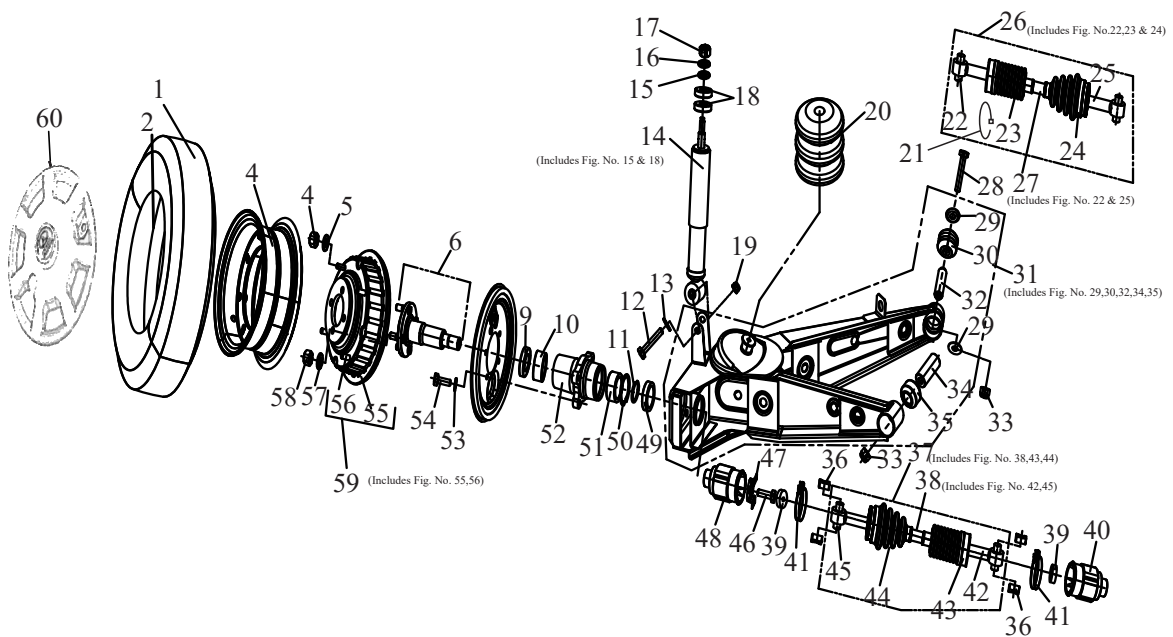


PLATE-6
REAR SUSPENSION

Fig. No.	Part No.	Description	Qty	Remarks
1	29040161	TYRE 4X8 INCH	4	
2	29040162	INNER TUBE FOR TYRE 4X8 INCH	4	
3	29040170	WHEEL RIM ASSY	4	
4	80757014	HEX NUT M10	8	
5	81020105	SPRING WASHER M10	8	Wheel rim mtg
6	36060010	REAR AXEL SHAFT ASSY	2	Including bolt for
7	36040020	KIT SLIDER BLOCK	8	Included Fig. 36,45
8	36060200	KIT REAR WHEEL HUB BEARING	2	Included Fig. 10,51
9	33060052	OIL SEAL (28X48X10)	2	
10	27160145	NEEDLE BEARING (SL 3520)	2	
11	36060012	SPRING RING	2	
12	80377427	HEX HD BOLT M10X60 CL 10.9	2	
13	73060110	PLAIN WASHER M10	2	
14	29060281	SHOCK ABSORBER REAR	2	
15	27060089	PLAIN WASHER 38X10.5X3	2	
16	81020105	SPRING WASHER M10	2	
17	80930100	HEX FLANGED NUT M10	2	
18	27060091	BUFFER FOR COUPLING SHOCK ABSORBER	4	
19	80920100	NYLOC NUT [M10]	2	
20	36060291	RUBBER SPRING	2	Modified (Soft M/t)
21	86502005	CLIP [200 MM]	1	
21	36070151	CLAMP BELLOW	1	Modified (OTIKER)
22	26041072	PIN PROP SHAFT	2	Not supply
23	36040014	BELLOW PROPELLER SHAFT - ENG SIDE	1	
24	33040047	BELLOW PROP SHAFT (WHEEL SIDE)	1	
25	36040013	PROPELLER SHAFT RH	1	Not supply
26	36040016	PROPELLER SHAFT ASSY RH WITH BELLOW & PI	1	
27	36040016	PROPELLER SHAFT ASSY RH WITH BELLOW & PI	1	With Sr. no. 22&25
28	80377432	HEX HD BOLT M10X80 CL 10.9	4	
29	27060118	SHOULDER WASHER	4	
30	27060120	RING FOR ELASTIC SUPPORT-BUSH FRONT	2	
31	29060070	REAR SUSP. ARM FITTED RUBBER BUSH LH	1	
31	29060060	REAR SUSP.ARM FITTED RUBBER BUSH RH	1	
32	27060119	SPACER	2	
33	80920100	NYLOC NUT [M10]	4	
34	27060121	SPACER REAR	2	
35	27060117	RING FOR ELASTIC SUPPORT-REAR	2	
36	26041016	P.T.BLOCK (SLIDER BLOCK PROP SHAFT)	8	
37	36040017	PROPELLER SHAFT ASSY LH WITH BELLOW & PIN	1	
38	36040017	PROPELLER SHAFT ASSY LH WITH BELLOW & PIN	1	With Sr. no. 42&56(

PLATE-6
REAR SUSPENSION

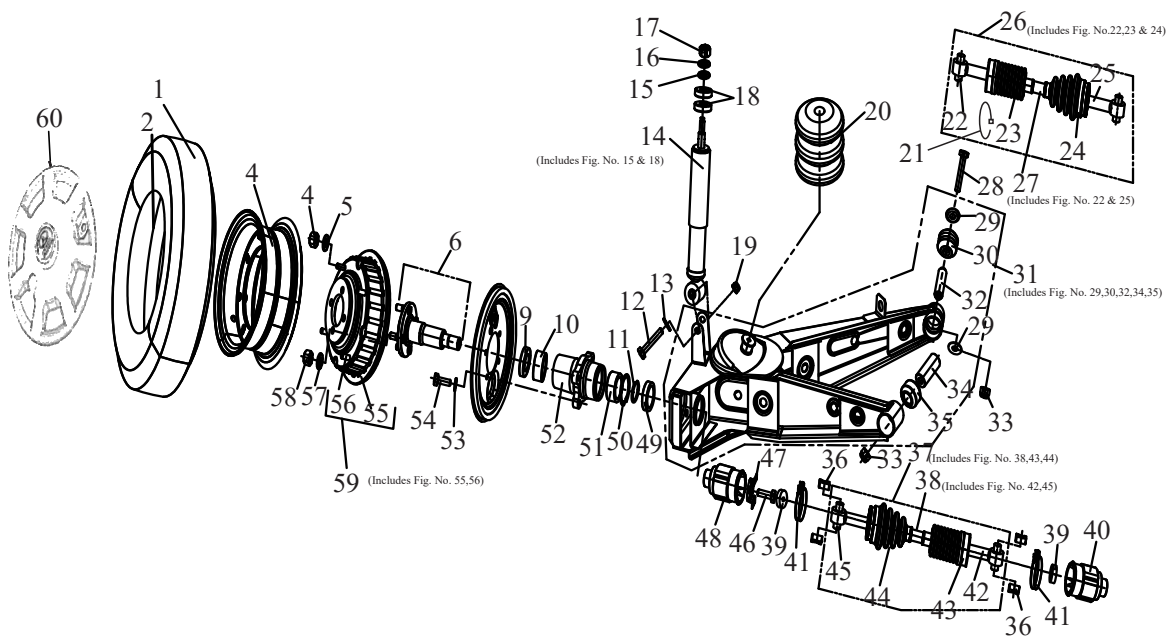


PLATE-6
REAR SUSPENSION

Fig. No.	Part No.	Description	Qty	Remarks
39	33040080	BUFFER ENGINE SIDE (PROPELLER SHAFT)	4	
40	36030034	FLANGE ENGINE SIDE LH	1	Ref. only
40	36030042	FLANGE ENGINE SIDE RH	1	Ref. only
41	50271003	CLAMP BELLOW (51.5 DIA.)	3	
42	36040011	PROPELLER SHAFT LH	1	Not supply
43	36040014	BELLOW PROPELLER SHAFT - ENG SIDE	1	
44	33040047	BELLOW PROP SHAFT (WHEEL SIDE)	1	
45	26041072	PIN PROP SHAFT	2	Not supply
46	36060019	SPL. HEX FLANGE SCREW M8	2	
47	36060019	SPL. HEX FLANGE SCREW M8	2	
48	36040002	FLANGE WHEEL SIDE	2	
49	27060146	OIL SEAL 35-47-7	2	
50	75350047	INTERNAL CIRCLIP B47	2	
51	26030011	BALL BEARING (20X47X14) (6204)	2	
52	33060051	REAR WHEEL HUB	2	
53	81020084	SPRING WASHER M8	8	Triangle assy mtg
54	80457382	HEX HD SCREW M8X35 CL 8.8	8	
55	29060230	REAR BRAKE DRUM WITH STUD	1	
56	29060152	STUD M10X1.5P	4	
57	81020105	SPRING WASHER M10	8	Rear axle mtg
58	80757014	HEX NUT M10	8	
59	29060230	REAR BRAKE DRUM WITH STUD	2	
46	36060019	SPL. HEX FLANGE SCREW M8	1	MODIFIED, wef.MCG00
60	36090094	FRONT WHEEL CAP	1	
60A	36090095	REAR WHEEL CAP ASSY LH	1	
60B	36090097	REAR WHEEL CAP ASSY. RH	1	
61	36090098	KIT-WHEEL CAP ASSY	1	includes 1 front &

PLATE-7
FRONT SUSPENSION AND STEERING COLUMN

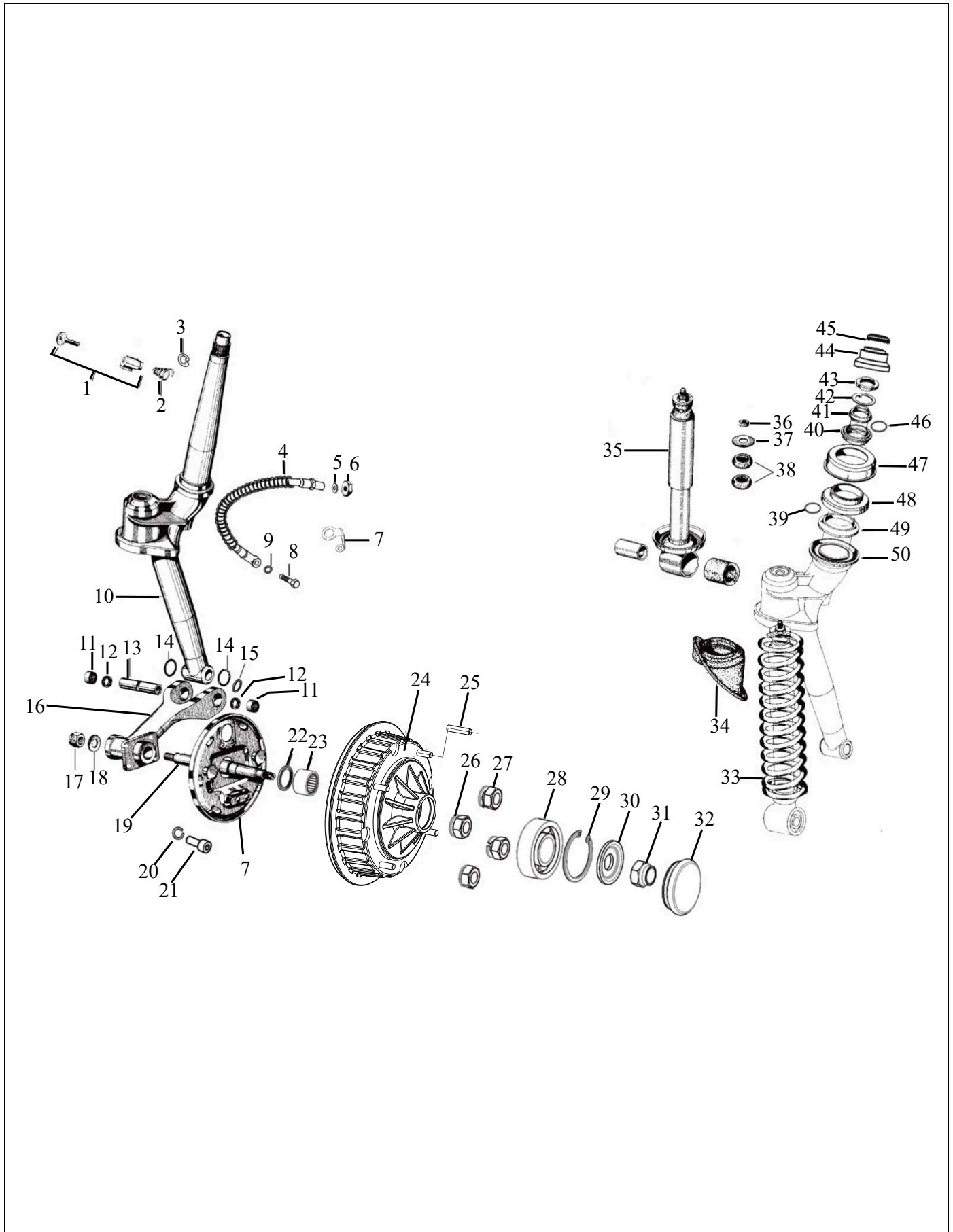


PLATE-7**FRONT SUSPENSION AND STEERING COLUMN**

Fig. No.	Part No.	Description	Qty	Remarks
1	50050530	STEERING LOCK ASSY WITH KEY	1	
2	27060211	SPRING-STEERING LOCK (MODIFIED)	1	
3	75350018	INTERNAL CIRCLIP (STEERING LOCK) (DIA. 18)	1	
4	27040548	FRONT BRAKE HOSE	1	
5	27040552	PL WASHER 24X16X1.5	2	
6	27040551	HEX NUT M16X1.5	1	
7	27040556	BRAKE PLATE	1	
8	40049064	BANJO BOLT	1	
9	40052153	COPPER WASHER	2	
10	27060220	STEERING WHEEL SHAFT ASSY (P)	1	
10	36060017	STEERING WHEEL SHAFT ASSY (P)	1	MCG00GMP4B1764899 D
10	29060110	STEERING WHEEL ASSY WITH BRAKE DRUM	1	Includes 7,10 to 16
10	36060027	KIT STEERING COLUMN WITH BRAKE & DRUM ASSY (MODIFI	1	Modified (27.02.201
11	27060072	ROLLER BUSH	2	
12	27060070	OIL SEAL (18-24-4)	2	
13	27060068	STEERING PIN	1	
14	27060069	O-RING	2	
15	27060071	RING FOR HOLDING	2	
16	29060121	FRONT SUSPENSION SWING ARM	1	
17	27060077	NUT (FRONT AXLE)	1	
18	27060092	PL WASHER 30.5X14.3X2	1	
19	29060122	FRONT WHEEL AXLE	1	
20	81020084	SPRING WASHER M8	4	
21	80657376	SOCKET HEAD CAP SCREW M8*20	4	
22	27060074	OIL SEAL (25X33X5)	1	
23	27060084	NEEDLE BEARING (NADELLA DL-25-20)	1	
24	29060150	FRONT BRAKE DRUM WITH STUD	1	
25	29060152	STUD M10X1.5P	4	
26	81020105	SPRING WASHER M10	4	
27	80757014	HEX NUT M10	4	
28	27060075	BALL BRG 6302 (C3)	1	
29	27060085	INTERNAL CIRCLIP B42	1	
30	27060076	COIN WASHER (FR WHEEL HUB)	1	
31	27060077	NUT (FRONT AXLE)	1	
32	27060078	CAP	1	
33	29060107	FRONT SUSPENSION SPRING (WIRE DIA 10.5)	1	
34	27060096	DUST COVER (SPLASH GUARD)	1	
35	29060180	SHOCK ABSORBER FRONT	1	
36	80930100	HEX FLANGED NUT M10	1	
37	27060089	PLAIN WASHER 38X10.5X3	1	

PLATE-7
FRONT SUSPENSION AND STEERING COLUMN

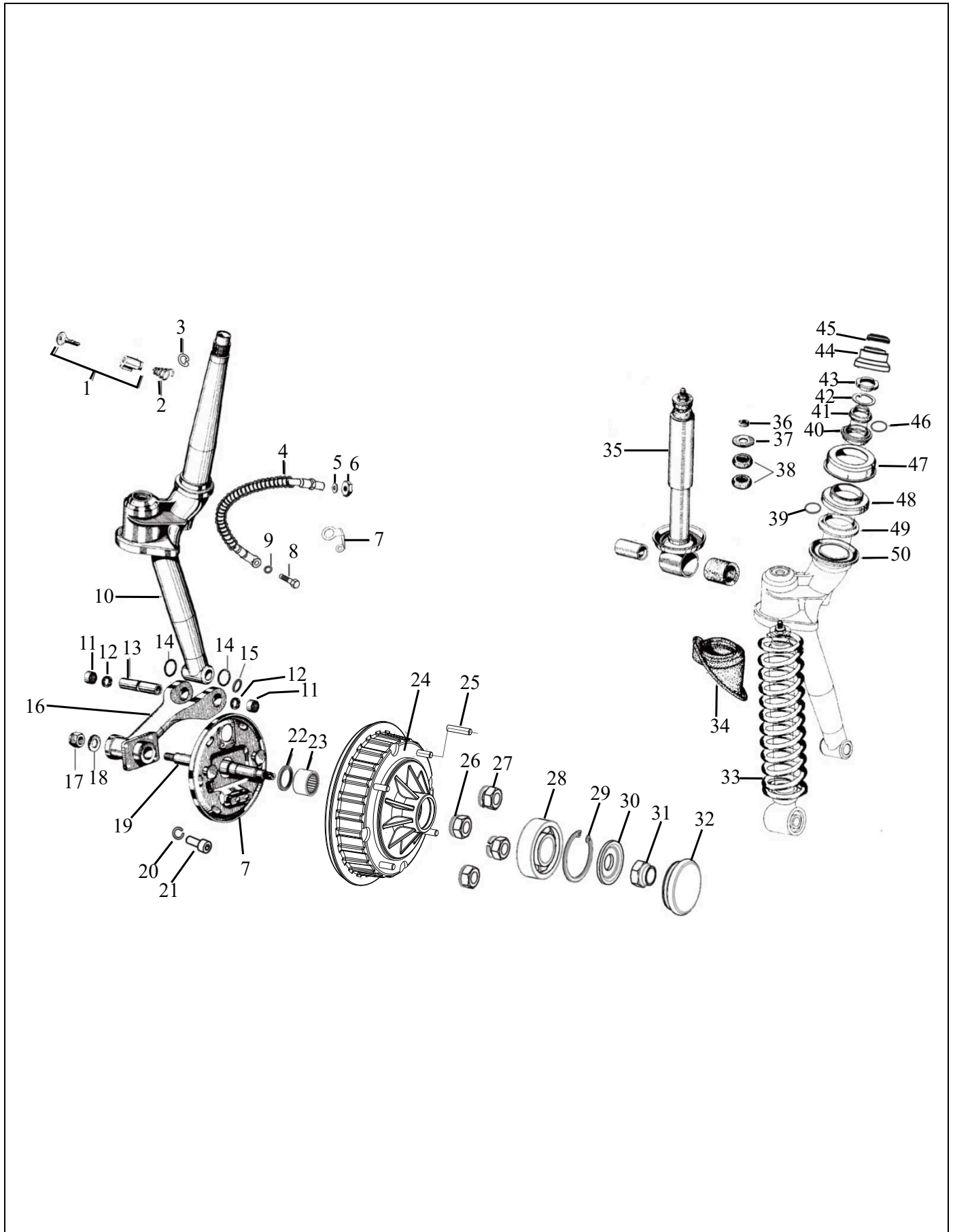


PLATE-7**FRONT SUSPENSION AND STEERING COLUMN**

Fig. No.	Part No.	Description	Qty	Remarks
38	27060091	BUFFER FOR COUPLING SHOCK ABSORBER	2	
39	50661010	SOLID OIL BALL CAGE	1	
40	26061003	UPPER STEERING NUT STEERING	1	
41	26061002	BEARING SEAT UPPER	1	
42	26061005	STOP WASHER	1	
43	26061008	SECURING RING NUT	1	
44	36060024	PROTECTION CAP	1	
45	27060107	RUBBER CAP STEERING COLUMN	1	
46	26061010	SOLID BALLCAGE- UPPER	1	
47	26061018	DUST COVER SEAL	1	
48	26061021	UPPER CONE	1	
49	26061022	LOWER CONE -45 UPPER ANGLE	1	
50	27060098	WASHER WITH PROTECTION FOR BEARING	1	
51	27060281	KIT STEERING PIN FRONT	1	Included Fig. 11,12
52	29060131	KIT STEERING CONE TOP	1	Included Fig. 40,41
53	29060132	KIT STEERING CONE BOTTOM	1	Included Fig.39,48,

PLATE-8
HANDLE BAR AND CONTROL CABLES

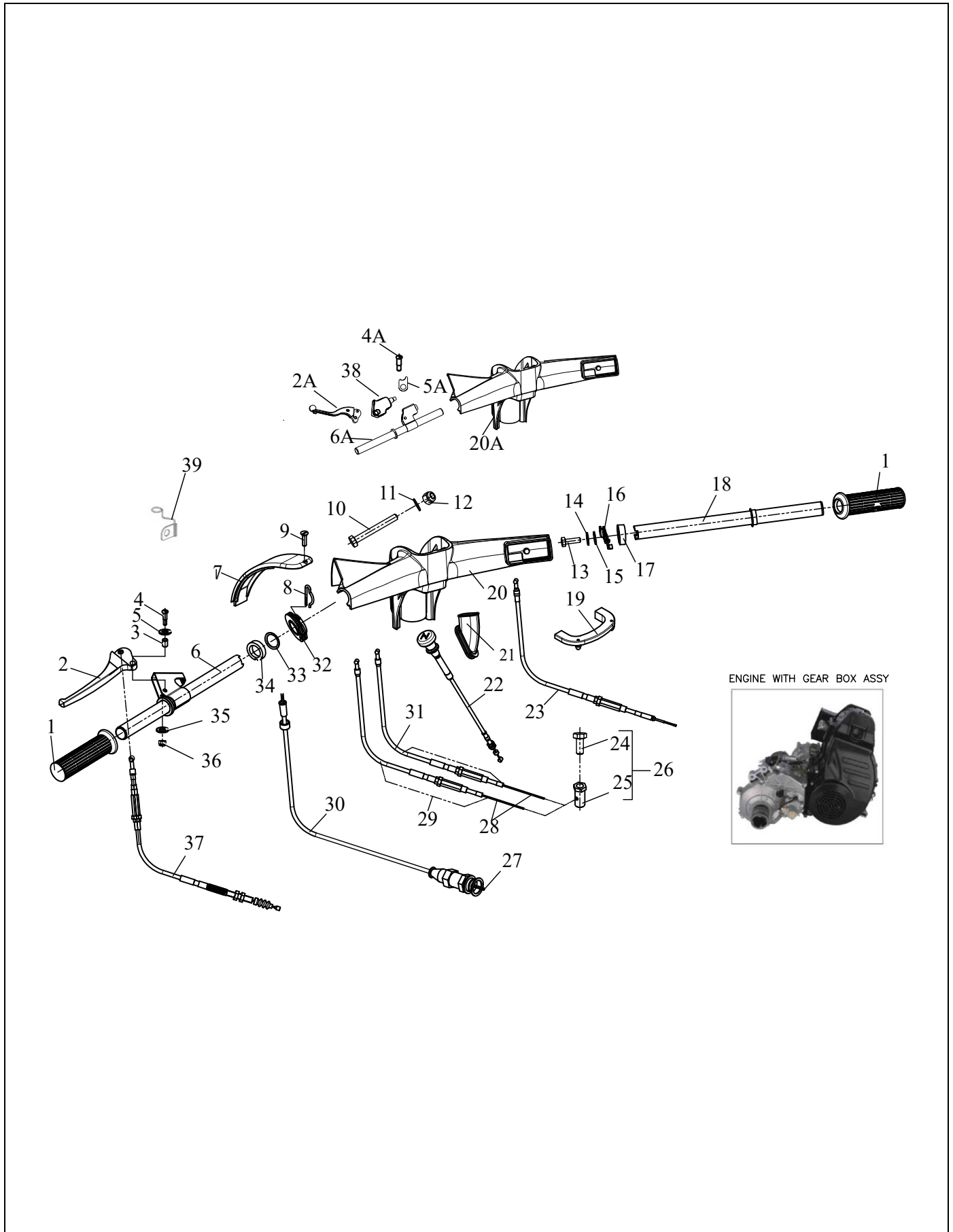


PLATE-8**HANDLE BAR AND CONTROL CABLES**

Fig. No.	Part No.	Description	Qty	Remarks
1	27060016	HANDLE (GRIP)	2	
2	36060112	CLUTCH CONTROL LEVER	1	
2A	36060112	CLUTCH CONTROL LEVER	1	MCG00GMP4B1764899 D
3	27060027	SPACER	1	
4	27010029	SLT PAN HD SCREW SPL	1	
4A	36060115	BOLT PIVOT CLUTCH LEVER	1	Modified (27.02.201
5	26061043	WAVED WASHER (CLUTCH LEVER)	1	
5A	36060116	WASHER PIVOT CLUTCH LEVER	2	Modified (27.02.201
6	36060114	GEAR CONTROL TUBE WITH IP	1	
6A	36060114	GEAR CONTROL TUBE WITH IP	1	MCG00GMP4B1764899 D
7	27060013	COVER HANDLE BAR	1	
8	33062014	CLIP LOCK PULLEY	1	
9	74900312	SCREW [M3 X 12] SLOTTED C.S.K.	1	
10	80357429	HEX HD M10X70 CL 8.8	1	
11	73060110	PLAIN WASHER M10	2	Handle bar mtg
12	80920100	NYLOC NUT [M10]	1	
13	80457295	HEX HD SCREW M6X18	1	
14	81020064	SPRING WASHER M6	1	
15	73060064	WASHER [M6]	1	
16	27060050	THROTTLE CONTROL LINK ASSY	1	New
17	27060015	SHOULDER WASHER RH	1	
18	27060030	THROTTLE CONTROL TUBE WITH I.P.	1	
19	27010106	PROTECTION COLLAR CABLE	1	
20	36060013	HANDLE BAR	1	
20A	36060013	HANDLE BAR	1	MCG00GMP4B1764899 D
21	27050521	PROTECTION GROMMET	1	
22	36070015	CHOKE CABLE ASSY	1	
22	36072005	CHOKE CABLE ASSY	1	Modified (With UCAL
23	36070001	ACCELERATOR CABLE ASSY. (GEMINI)	1	
23	36072015	ACCELERATOR CABLE ASSY	1	Modified (With UCAL
24	36060008	TRUNION ASSY (GEAR CABLE)	1	
25	36060008	TRUNION ASSY (GEAR CABLE)	1	Not supply
26	36060008	TRUNION ASSY (GEAR CABLE)	2	Not supply
27	33072062	SPEEDOMETER CABLE INNER (LENGTH - 2409MM)	1	Long
27	33072061	SPEEDOMETER CABLE INNER	1	short
28	36070004	GEAR CABLE INNER	2	
28	36070037	GEAR CABLE INNER	1	MCG00GMP4B1764899 D
29	36070005	GEAR CABLE ASSY WHITE	1	
29	36070036	GEAR CABLE ASSY WHITE (MODIFIED)	1	MCG00GMP4B1764899 D
30	33070001	SPEEDOMETER CABLE ASSY. (SPEEDO TO G/B)	1	short

PLATE-8
HANDLE BAR AND CONTROL CABLES

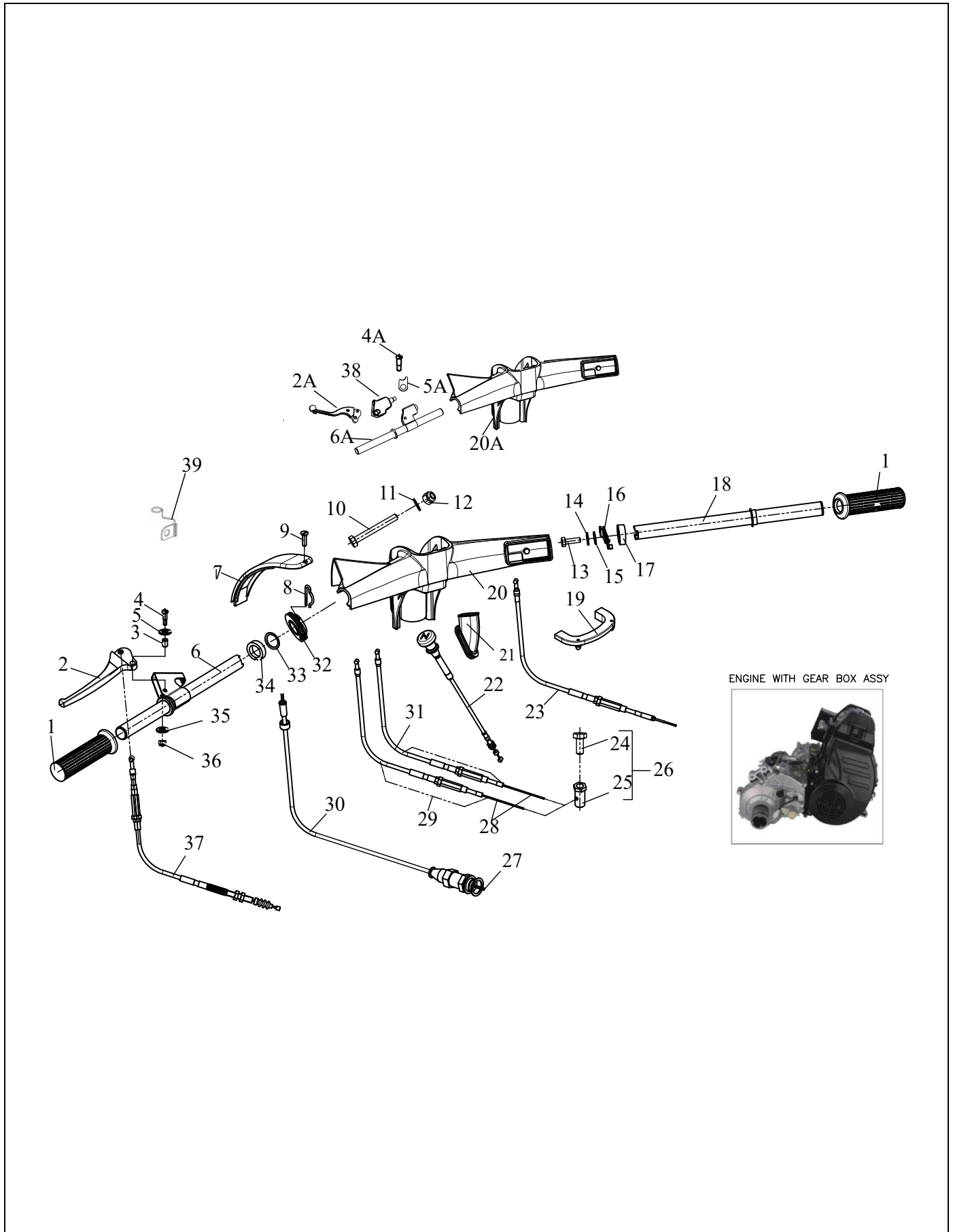


PLATE-8**HANDLE BAR AND CONTROL CABLES**

Fig. No.	Part No.	Description	Qty	Remarks
31	36070003	GEAR CABLE ASSY BLACK	1	
31	36070035	GEAR CABLE ASSY BLACK (MODIFIED)	1	MCG00GMP4B1764899 D
32	36060006	PULLEY GEAR SHIFT	1	
33	27060028	SPRING WASHER	1	
34	27060014	SHOULDER WASHER LH	1	
35	26061042	PL WASHER 14X8X0.2	1	
36	80920060	NYLOCK NUT (M6)	1	
37	36070002	CLUTCH CABLE ASSY	1	
37	36070120	CLUTCH CABLE ASSY	1	MCG00GMP4B1764899 D
38	36060118	BOOT RUBBER CLUTCH LEVER	1	MCG00GMP4B1764899 D
39	36060117	CLAMP CLUTCH LEVER	1	MCG00GMP4B1764899 D

PLATE-9
FRONT BRAKE PLATE

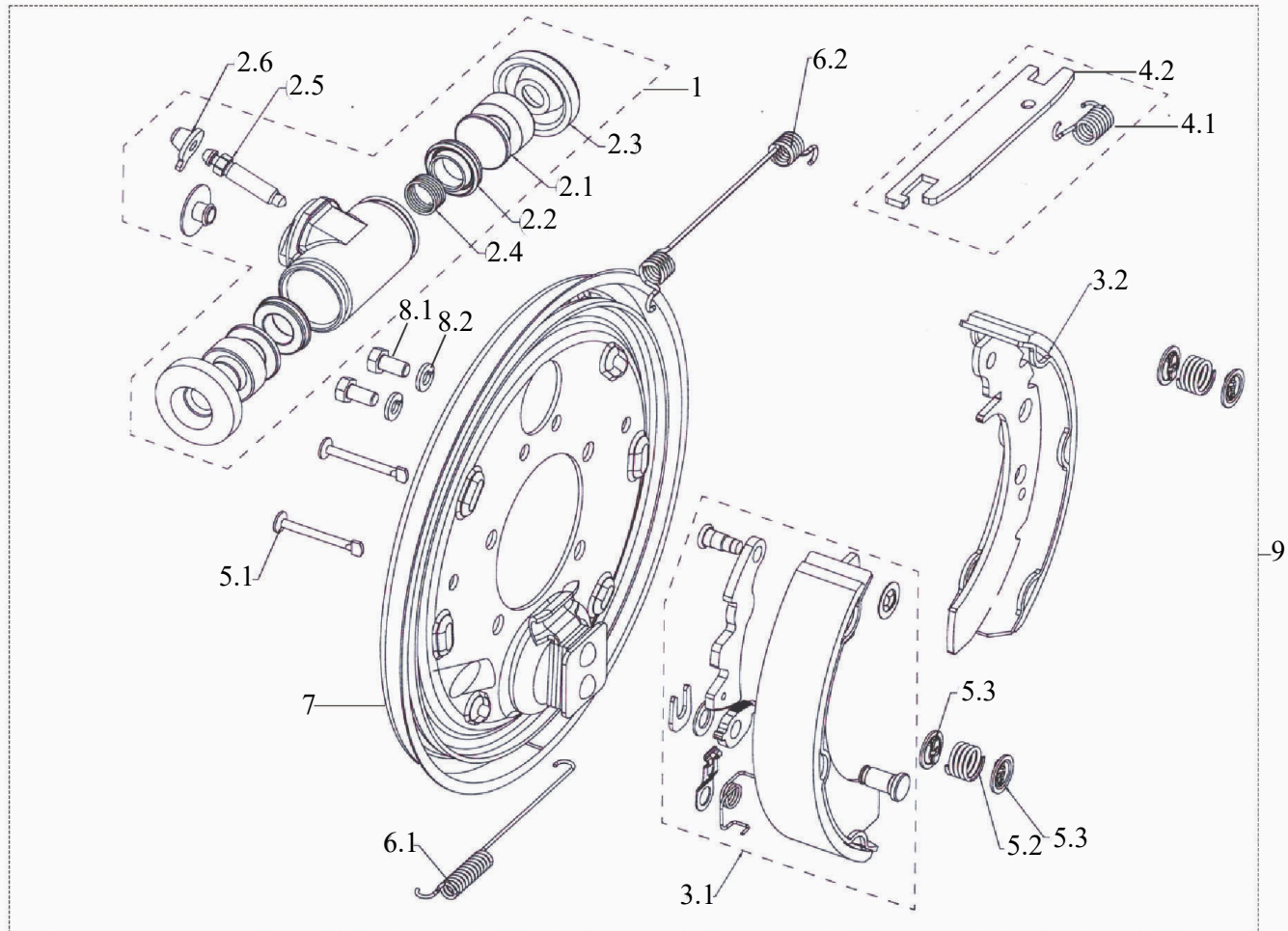


PLATE-9**FRONT BRAKE PLATE**

Fig. No.	Part No.	Description	Qty	Remarks
1	29040370	WHEEL CYLINDER ASSY	1	
2	27040651	REAR WHEEL CYLINDER MINOR KIT	1	Include(2.2,2.3,2.4
2	29040300	MAJOR KIT WHEEL CYLINDER	1	Include(2.1,2.2,2.3
3	29040011	BRAKE SHOE KIT	1	Include(3.1,3.2)
4	29040013	STRUT KIT	1	Include(4.1,4.2)
5	29040012	SHOE HOLD DOWN KIT	1	Include(5.1,5.2,5.3
6	29040014	SPRING KIT	1	Include(6.1,6.2)
7	29040380	FRONT BACK PLATE	1	Not supplied
8	27040930	W/C MTG.. BOLT & WASHER KIT	1	Include(8.1,8.2)
9	29040010	FRONT BRAKE ASSY	1	Include(1 to 8)
9	29042050	BRAKE PANEL ASSEMBLY FRONT ATUL 170	1	MODIFIED (11.07.201

PLATE-10
REAR BRAKE PLATE

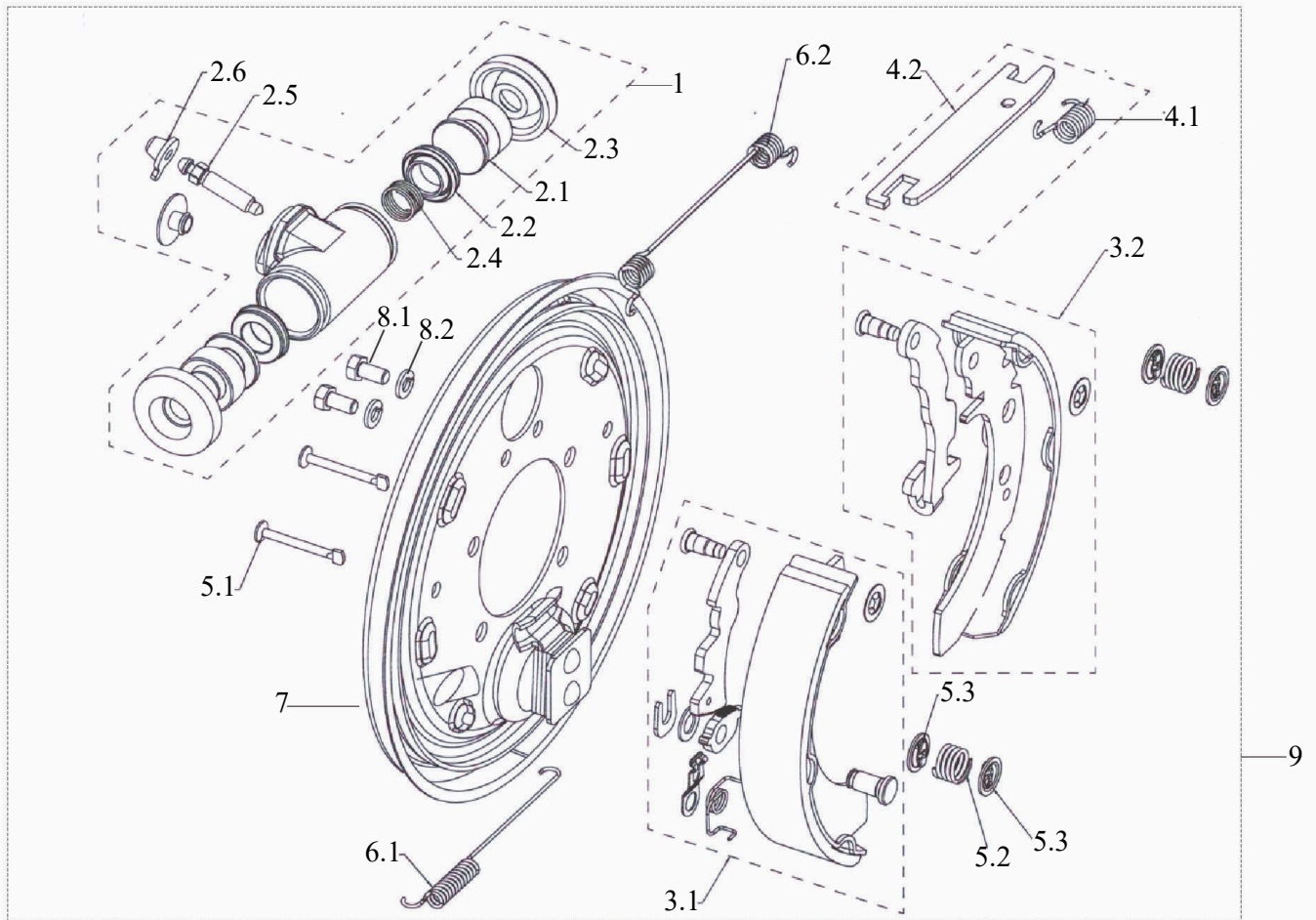
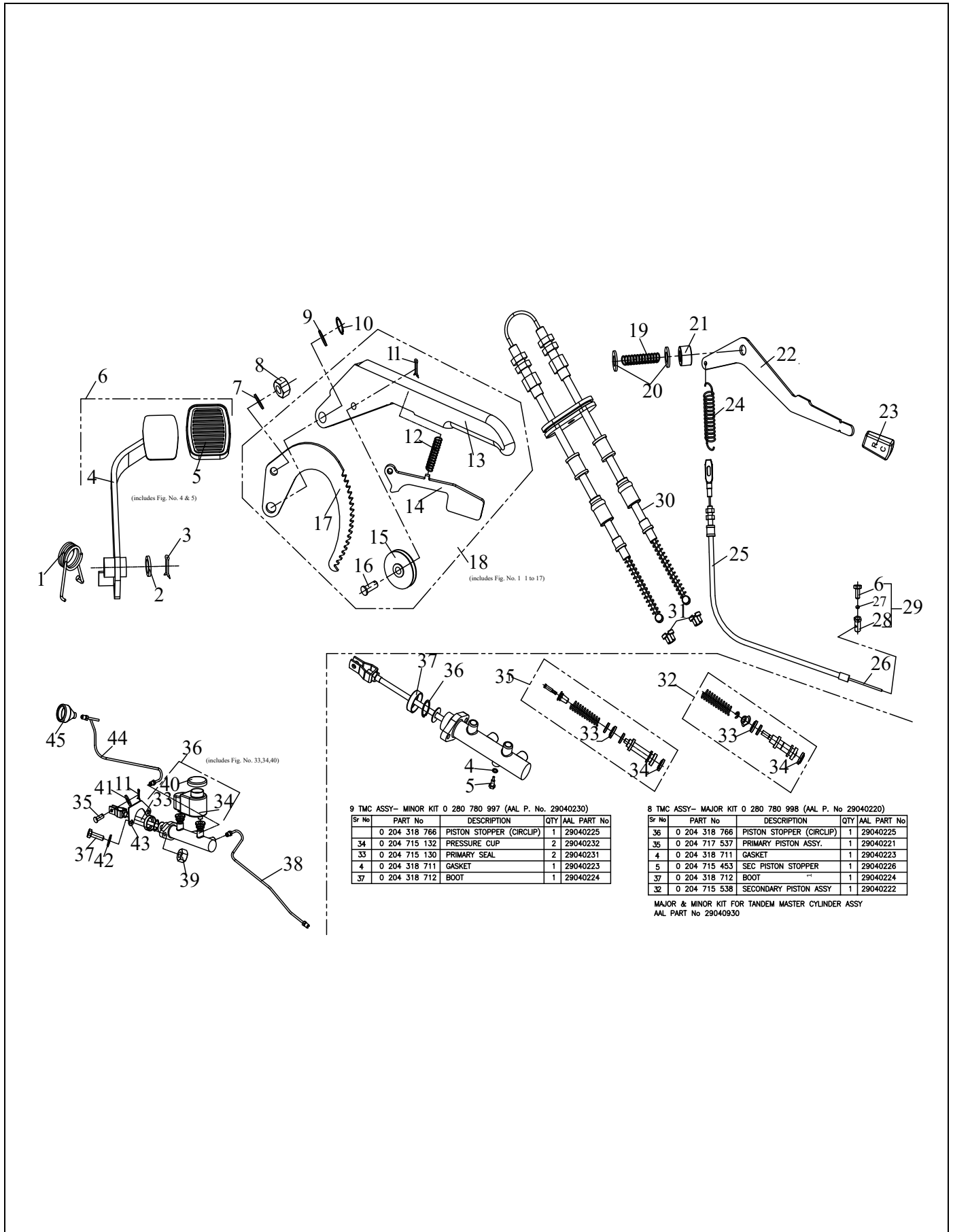


PLATE-10**REAR BRAKE PLATE**

Fig. No.	Part No.	Description	Qty	Remarks
1	29040370	WHEEL CYLINDER ASSY	1	
2	27040651	REAR WHEEL CYLINDER MINOR KIT	1	Include(2.2,2.3,2.4
2	29040300	MAJOR KIT WHEEL CYLINDER	1	Include(2.1,2.2,2.3
3	29040270	BRAKE SHOE KIT LH	1	Include(3.1,3.2)
3	29040280	BRAKE SHOE KIT RH	1	Include(3.1,3.2)
4	29040052	STRUT KIT LH	1	Include(4.1,4.2)
4	29040035	STRUT KIT RH	1	Include(4.1,4.2)
5	29040012	SHOE HOLD DOWN KIT	1	Include(5.1,5.2,5.3
6	29040014	SPRING KIT	1	Include(6.1,6.2)
7	29040400	FRONT BACK PLATE ASSY LH	1	Not supplied
7	29040410	FRONT BACK PLATE ASSY RH	1	Not supplied
8	27040930	W/C MTG.. BOLT & WASHER KIT	1	Include(8.1,8.2)
9	29040050	BRAKE ASSY LH	1	Include(1 to 8)
9	29040030	BRAKE ASSY RH	1	Include(1 to 8)
9	29043010	BRAKE PANEL ASSEMBLY REAR LH ATUL 170	1	MODIFIED (11.07.201
9	29043020	BRAKE PANEL ASSEMBLY REAR RH ATUL 170	1	MODIFIED (11.07.201
10	29043023	SHOE KIT TRAILING RH	1	
11	29043013	SHOE KIT TRAILING LH	1	

PLATE-11

BRAKE -TANDEM CYLINDER, BRAKE PIPES AND HAND BRAKE



9 TMC ASSY- MINOR KIT 0 280 780 997 (AAL P. No. 29040230)

Sr No	PART No	DESCRIPTION	QTY	AAL PART No
	0 204 318 766	PISTON STOPPER (CIRCLIP)	1	29040225
	34	0 204 715 132 PRESSURE CUP	2	29040232
	33	0 204 715 130 PRIMARY SEAL	2	29040231
	4	0 204 318 711 GASKET	1	29040223
	37	0 204 318 712 BOOT	1	29040224

8 TMC ASSY- MAJOR KIT 0 280 780 998 (AAL P. No 29040220)

Sr No	PART No	DESCRIPTION	QTY	AAL PART No
	36	0 204 318 766 PISTON STOPPER (CIRCLIP)	1	29040225
	35	0 204 717 537 PRIMARY PISTON ASSY.	1	29040221
	4	0 204 318 711 GASKET	1	29040223
	5	0 204 715 453 SEC PISTON STOPPER	1	29040226
	37	0 204 318 712 BOOT	1	29040224
	32	0 204 715 538 SECONDARY PISTON ASSY	1	29040222

MAJOR & MINOR KIT FOR TANDEM MASTER CYLINDER ASSY
AAL PART No 29040930

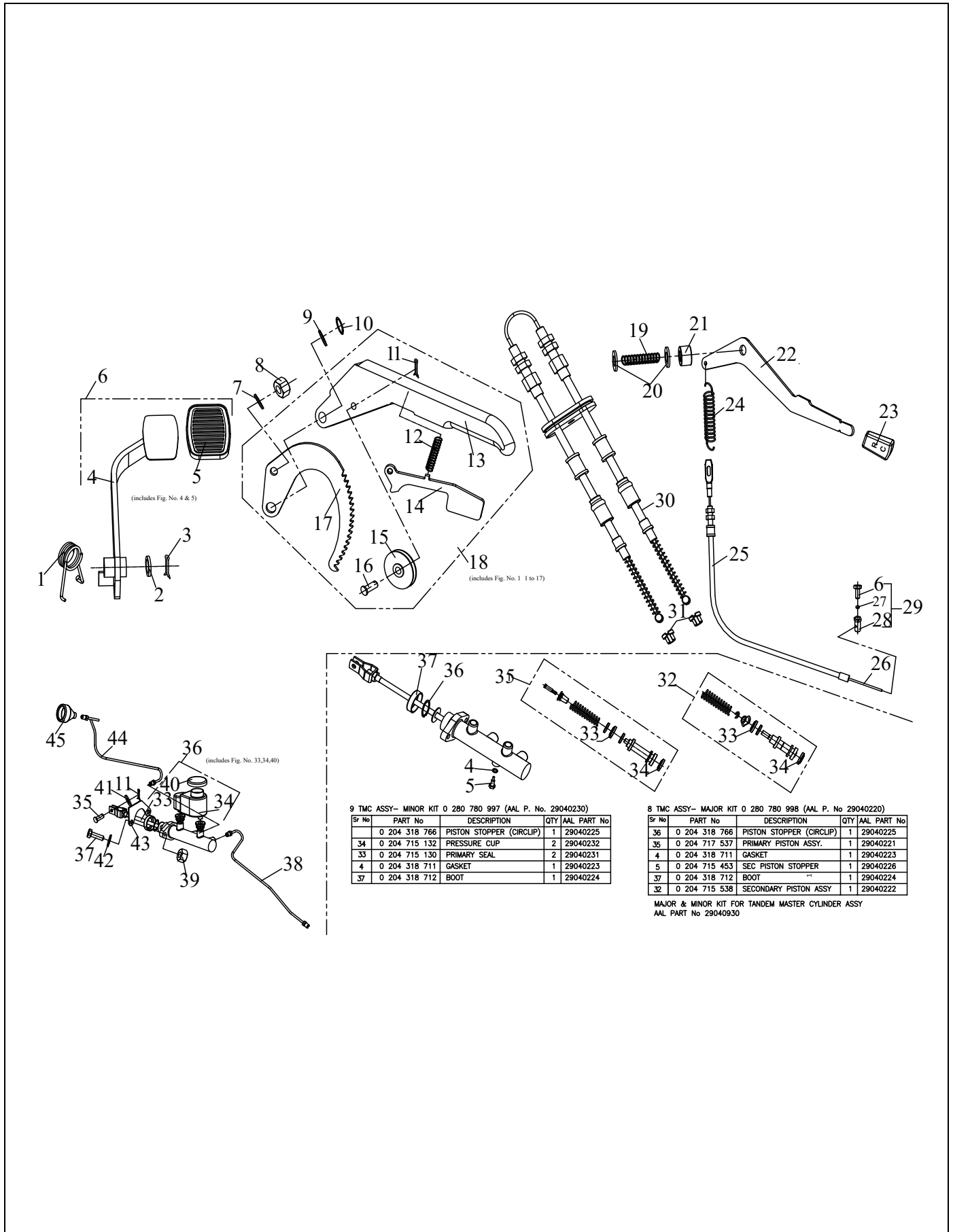
PLATE-11**BRAKE -TANDEM CYLINDER, BRAKE PIPES AND HAND BRAKE**

Fig. No.	Part No.	Description	Qty	Remarks
1	27040524	BRAKE PEDAL SPRING	1	
2	27040523	WASHER 21X14.3X2	1	
3	27040525	SPLIT PIN	1	
4	29040921	FOOT BRAKE PEDAL	1	Not supply
5	27040533	RUBBER PROTECTION - BRAKE PEDAL	1	
6	29040910	FOOT BRAKE PEDAL ASSY (GEMINI)	1	
7	81020084	SPRING WASHER M8	1	
8	80757012	HEX NUT M8	1	
9	27050777	PLAIN WASHER M10	1	
10	75400011	EXT CIRCLIP DIA 11	1	
11	27040527	SPLIT PIN	2	
12	27070023	SPRING FOR HAND BRAKE	1	N/S
13	27070021	HAND BRAKE LEVER	1	N/S
14	27070022	STOP LEVER	1	N/S
15	27070027	PULLEY FOR HAND BRAKE	1	N/S
16	27070028	PIN	1	N/S
17	27070024	RATCHET - HAND BRAKE	1	N/S
18	27070020	HAND BRAKE LEVER ASSY	1	
19	27070101	SPRING (RC LEVER)	1	
20	73060110	PLAIN WASHER M10	2	
21	36070062	SPACER BACKING COMMAND LEVER	1	MODIFIED (13.01.201
22	36070054	RC BACKING COMMAND LEVER SUB ASSY	1	MODIFIED (13.01.201
23	27010103	KNOB FOR BACKING COMMAND LEVER	1	
24	36070008	RETURN SPRING-R.C. LEVER (DRIVER END)	1	
25	36070006	REVERSE GEAR CABLE ASSY	1	
25	36070046	REVERSE GEAR CONTROL CABLE	1	CUT OFF DATE: 01.12
26	36070007	REVERSE GEAR CABLE INNER	1	
27	36060008	TRUNION ASSY (GEAR CABLE)	1	
28	36060008	TRUNION ASSY (GEAR CABLE)	1	Not supply
29	36060008	TRUNION ASSY (GEAR CABLE)	1	
30	33072080	CABLE ASSY.-HAND BRAKE (GEMINI)	1	
31	27070029	CUP RETAINING SPRING	2	
32	29040220	MAJOR KIT TMC	1	
33	29040950	PUSH ROD	1	Not supply
34	29040940	BRAKE RESERVOIR WITH CAP	1	
35	27040526	PIN	1	
36	29040930	TANDEM MASTER CYLINDER WITH RESERVOIR	1	
37	80357380	HEX HD SCREW M8X30 CL 8.8	2	
38	36040015	BRAKE TUBE FOR REAR WHEEL-TMC TO 3WAY CONNECTOR	1	
39	80757012	HEX NUT M8	2	

70

PLATE-11

BRAKE -TANDEM CYLINDER, BRAKE PIPES AND HAND BRAKE



9 TMC ASSY- MINOR KIT 0 280 780 997 (AAL P. No. 29040230)

Sr No	PART No	DESCRIPTION	QTY	AAL PART No
	0 204 318 766	PISTON STOPPER (CIRCLIP)	1	29040225
	34	0 204 715 132 PRESSURE CUP	2	29040232
	33	0 204 715 130 PRIMARY SEAL	2	29040231
	4	0 204 318 711 GASKET	1	29040223
	37	0 204 318 712 BOOT	1	29040224

8 TMC ASSY- MAJOR KIT 0 280 780 998 (AAL P. No 29040220)

Sr No	PART No	DESCRIPTION	QTY	AAL PART No
	36	0 204 318 766 PISTON STOPPER (CIRCLIP)	1	29040225
	35	0 204 717 537 PRIMARY PISTON ASSY.	1	29040221
	4	0 204 318 711 GASKET	1	29040223
	5	0 204 715 453 SEC PISTON STOPPER	1	29040226
	37	0 204 318 712 BOOT	1	29040224
	32	0 204 715 538 SECONDARY PISTON ASSY	1	29040222

MAJOR & MINOR KIT FOR TANDEM MASTER CYLINDER ASSY
AAL PART No 29040930

PLATE-11**BRAKE -TANDEM CYLINDER, BRAKE PIPES AND HAND BRAKE**

Fig. No.	Part No.	Description	Qty	Remarks
40	50059171	RESERVIOR CAP	1	
41	27050775	PL WASHER 15X8.4X1.5	2	
42	81020084	SPRING WASHER M8	2	
43	29040202	REINFORCEMENT FOR TMC	1	
44	27040558	TUBE BETWEEN TMC & FRT WHEEL	1	
45	27040553	CAP (BODY)	1	
46	29040230	MINOR KIT TMC	1	

PLATE-12
ELECTRICAL DEVICES

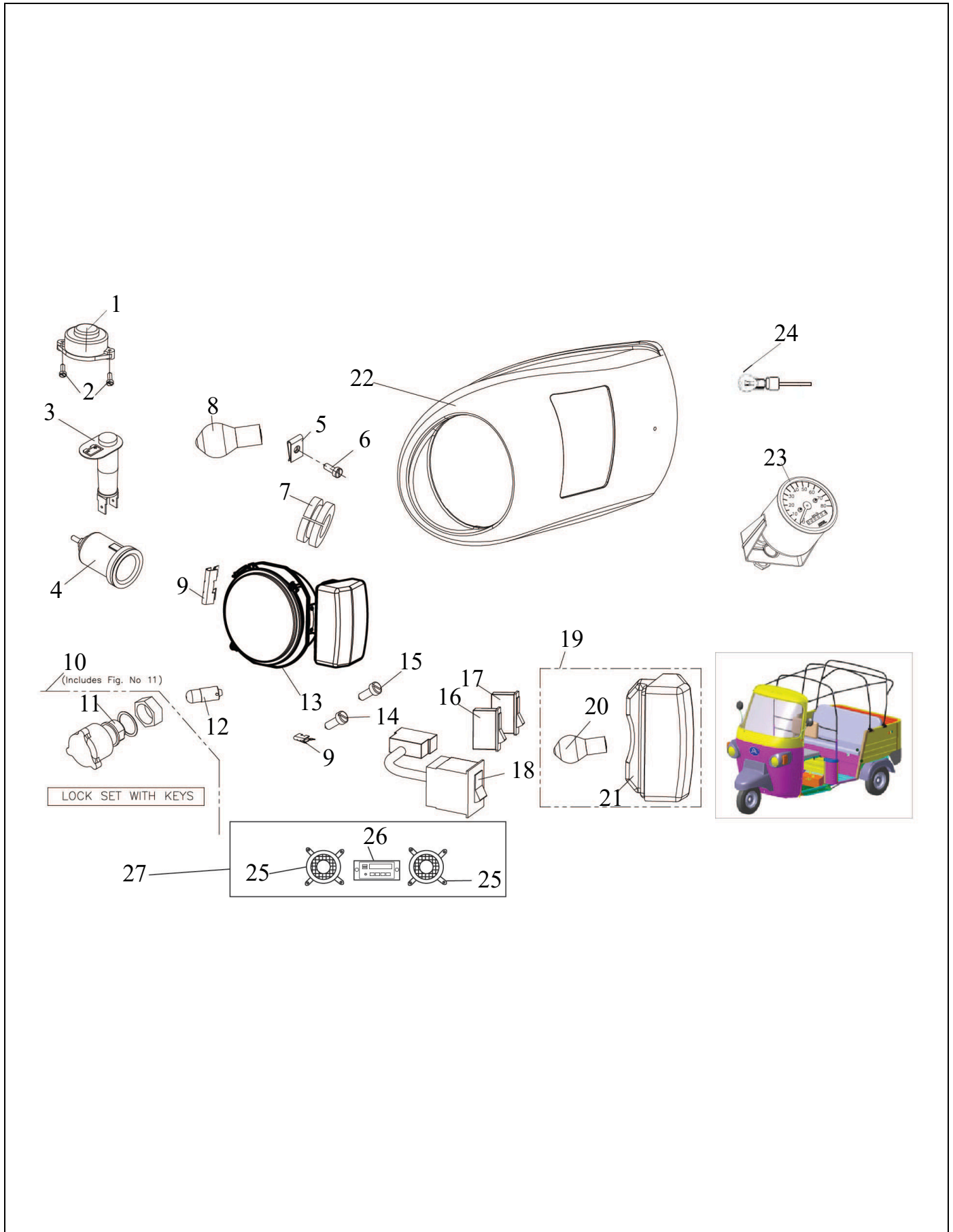


PLATE-12
ELECTRICAL DEVICES

Fig. No.	Part No.	Description	Qty	Remarks
1	36080130	BEEPER	1	
2	80008015	SLOTTED CHEESE HEAD SCREW [M4 X 15]	2	Beeper Mtg
3	36080102	CHARGE WARNING INDICATOR	1	
4	27080127	SOCKET CIGARETTE LIGHTER WITH RING	1	Eng. Scope of suppl
5	27080193	SPRING PLATE	2	
6	27050730	SCREW 8SG X 13B	2	
7	27080194	GROMMET (HEAD LAMP HARNESS)	2	
8	87663535	BULB 12V 35/35W	2	
9	27050353	SECURING CLIP HEAD LAMP COVER	4	
10	36057270	LOCK SET WITH KEY	1	
11	27080206	IGNITION SWITCH ASSY	1	
12	80531204	HEAD LIGHT PARKING BULB 12V-4W	2	
13	27080171	HEAD LAMP LH ASSY	1	
13	27080181	HEAD LAMP RH ASSY	1	
14	27050726	PAN SELF TP SCREW 8SGX9.5	8	
15	27050729	SELF TAPPING SCREW 6SG X 9.5 AB	8	
16	27080104	SWITCH, THREE POSITION	1	
17	27080116	SWITCH, WIPER MOTOR	1	
18	27080050	HAZARD WARNING SWITCH	1	
19	27080182	FRONT PARKING LAMP ASSY RH	1	
19	27080178	FRONT PARKING LAMP ASSY LH	1	
20	27080212	INDICATOR LIGHT BULB (AMBER) 12V 21W	2	
21	27080184	FRONT PARKING LAMP LENSE RH	1	
21	27080180	FRONT PARKING LAMP LENSE LH	1	
22	28080041	HEADLAMP COVER, RH	1	
22	28080042	HEADLAMP COVER, LH	1	
23	36080115	SPEEDOMETER ASSY	1	
24	27080022	PARKING BULB WITH CABLE SOCKET ASSY.	2	
25	36080142	SPEAKER	1	ONLY EXPORT
26	36080141	FM RADIO UNIT 12V DC, 30 W	1	ONLY EXPORT
27	36120001	KIT FM - RADIO WITH SPEAKER	1	ONLY EXPORT

PLATE-13
ELECTRICAL DEVICES

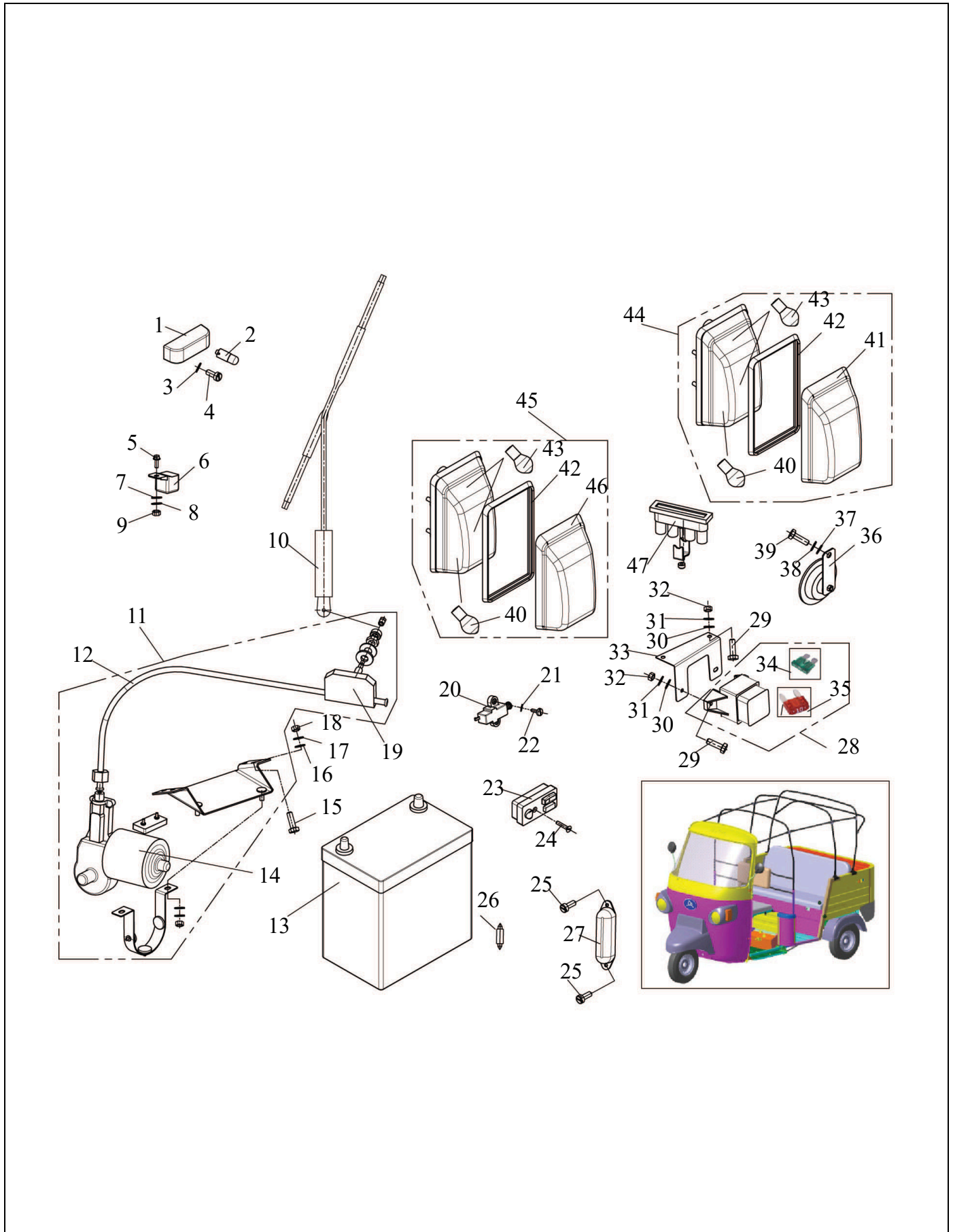


PLATE-13
ELECTRICAL DEVICES

Fig. No.	Part No.	Description	Qty	Remarks
1	27080196	ENGINE COMPARTMENT LAMP ASSY WITH BULB	1	
2	80531205	BULB 12V-5W	1	
3	73060030	PLAIN WASHER M3	2	Not supplied
4	27050731	PAN SELF TAPING SCREW	2	
5	80477295	FLANGE SCREW [M6 X 18]	1	
6	40181280	FLASHER	1	
7	73060064	WASHER [M6]	1	Flasher mtg
8	81020064	SPRING WASHER M6	1	Flasher mtg
9	80757010	NUT [M6]	1	
10	27080040	WIPER BLADE WITH ARM	1	
11	27080034	WIPER MOTOR P14 KIT	1	Not supplied
12	27080037	BUNDY TUBE (WIPER MOTOR)	1	
13	50081140	BATTERY 32 AMP	1	
14	27080034	WIPER MOTOR P14 KIT	1	
15	80457294	SCREW [M6 X 16]	4	
16	73060064	WASHER [M6]	4	Wiper motor mtg bkt
17	81020064	SPRING WASHER M6	4	cross piece of strg
18	80757010	NUT [M6]	4	
19	27080030	WHEEL BOX ASSY. WITH BLACK COVER	1	
20	26181220	BRAKE & REVERSE LIGHT SWITCH WITH COUPLER	1	
21	73060043	PLAIN WASHER	2	
22	80008015	SLOTTED CHEESE HEAD SCREW [M4 X 15]	2	Switch brake pedal
23	27080107	MAIN SWITCH ASSY	1	
24	74900425	CSK SCREW M4X25	1	Switch assy mtg.
25	27050727	PAN SELF TP SCREW 6SGX13AB	2	Cabin light assy
26	80531205	BULB 12V-5W	1	Cabin light bulb
27	27080203	CABIN LIGHT ASSY WITH LAMP	1	
28	27080143	FUSE BOX WITH FUSE	1	Not supplied
29	80457254	HEX HEAD SCREW M5X16	4	
30	73060053	PLAIN WASHER M5	4	Fuse box mtg & bkt
31	81020053	SPRING WASHER M5	4	Holder mtg to cross
32	80757009	HEX NUT M5	4	
33	27080157	BRACKET FUSE HOLDER	1	
34	27080166	BLADE FUSE 30 A	1	
35	27080144	FUSE 10A	6	Along with fuse box
36	27080201	HORN ASSEMBLY	1	
37	73060084	PLAIN WASHER M8	1	Horn Mtg.
38	81020084	SPRING WASHER M8	1	
39	80457374	HEX HEAD SCREW M8X16	1	
40	80521205	BULB 12V-21/5 W	2	Tail lamp bulb

PLATE-13
ELECTRICAL DEVICES

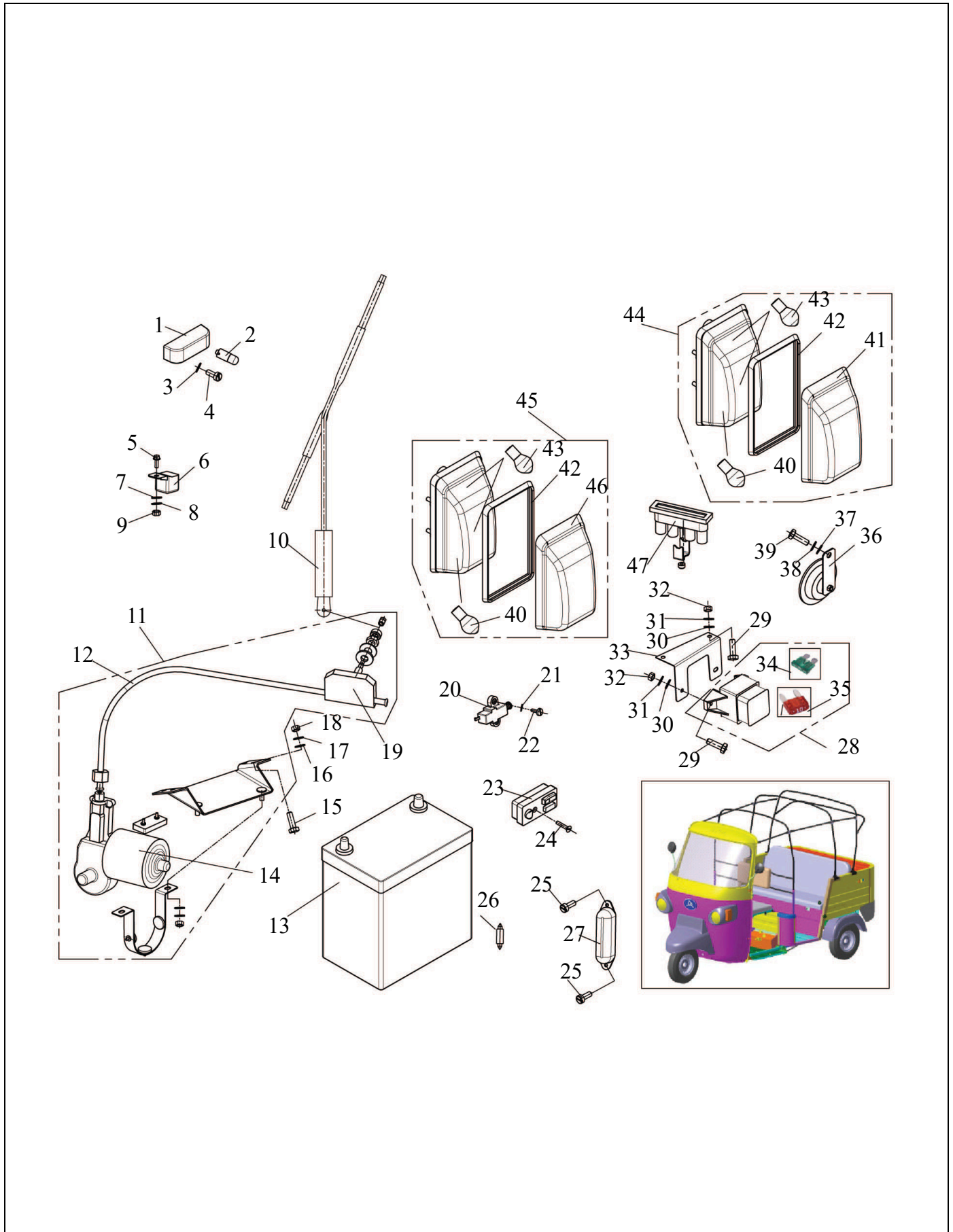
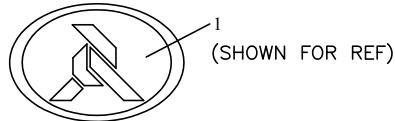


PLATE-13
ELECTRICAL DEVICES

Fig. No.	Part No.	Description	Qty	Remarks
41	29080111	TAIL LAMP LENS RH	1	
42	29080112	PACKING TAIL LAMP	2	
43	87761221	BULB 12 V -21 W	4	
44	29080110	TAIL LAMP ASSY RH	1	
45	29080120	TAIL LAMP ASSY LH	1	
46	29080121	TAIL LAMP LENS -LH	1	
47	36050530	INSTRUMENT CLUSTER G2 PETROL	1	

PLATE-14
STICKER



LOGO (ATUL)	1
STICKER GENERAL INSTRUCTION (GEMINI)	2
STICKER RUNNING INSTRUCTION (GEMINI Gx)	3
STICKER-ATUL GEMINI Gx WHITE	4
STICKER-ATUL GEMINI Gx BLACK	5
STICKER YELLOW LINING SIDE PANEL	6
STICKER YELLOW LINING REAR DOOR	7
KIT-ATUL STICKER WHITE(REAR DOOR)	8
STICKER - PAXX	9
FIRST AID KIT	10
SPARE PART CATALOGUE (GEMINI Gx)	11
USER MANUAL (GEMINI Gx)	12
WORKSHOP MANUAL (GEMINI Gx)	13
ENGINE EXPLODED VIEW	14
SPECIAL TOOLS EXPLODED VIEW	15
MAINTENANCE SCHEDULE (GEMINI-Gx)	16
STICKER PREMIUM LH SIDE	17
STICKER PREMIUM RH SIDE	18
GEMINI-G2 SPECIAL TOOLS KIT	19

2

GENERAL INSTRUCTION GEMINI

- DO NOT MAINTAIN MAXIMUM SPEED FOR LONG PERIODS.
- DO NOT OPERATE AT FULL THROTTLE FOR LONG PERIODS.
- DO NOT IDLE FOR LONG PERIODS.
- DO NOT TRAVEL AT FULL THROTTLE ESPECIALLY WHILE CLIMBING.
- CLEAN AIR FILTER EVERY WEEK
- TYRE ROTATION AT EVERY 5000 Kms

TYRE PRESSURE

	kg/cm ²	PSI
FRONT-	2.2	(30 PSI)
REAR -	2.2	(30 PSI)

FR WHEEL
SPARE WHEEL
REAR LEFT REAR RIGHT

FACE TO BE CHANGED WITH ROTATION

BATTERY MAINTENANCE:- CHECK BATTERY WATER LEVEL WEEKLY & TOP-UP WITH DISTILLED WATER, IF NEEDED.

36050010

RUNNING IN INSTRUCTION GEMINI-GX

ADHERE FOLLOWING INSTRUCTION FOR FIRST 2000 KMS

- DO NOT EXCEED FOLLOWING SPEED
- 1st GEAR - 10 km/hr
- 2nd GEAR - 20 km/hr
- 3rd GEAR - 30 km/hr
- 4th GEAR - 45 km/hr
- AFTER EVERY 5000 KM CHANGE GEAR BOX OIL.
- CHECK THE WHEEL NUTS FOR SLACKNESS.
- CHECK ALL OTHER BOLT AND NUTS.
- CHANGE THE ENGINE OIL AFTER EVERY 5000 KM RUNNING
- CHECK VALVE CLEARANCE AND ADJUST IF NECESSARY ,AFTER FIRST 500 KM RUNNING OF THE VEHICLE (ONLY BY AUTHORIZED ENGINEER)
- DO NOT LOAD MORE THAN 70% IN ANY GEAR.

PLATE-14
STICKER

Fig. No.	Part No.	Description	Qty	Remarks
1	27151202	LOGO (ATUL NEW)	1	
2	29051207	STICKER GENERAL INSTRUCTION (GEMINI)	1	
3	36050010	STICKER RUNNING INSTRUCTION [GEMINI GX]	1	
4	36057252	STICKER-ATUL GEMINI-GX PETROL PREMIUM REAR	1	
5	36057251	STICKER-ATUL GEMINI-GX PETROL PREMIUM FRONT	1	
6	29051204	STICKER YELLOW LINING SIDE PANEL	2	Not supplied
7	29051205	STICKER YELLOW LINING REAR DOOR	1	Not supplied
8	33051204	KIT-ATUL STICKER WHITE(REAR DOOR)	2	
9	27051245	STICKER - PAXX	1	
10	27090080	FIRST AID KIT	1	
11	36090001	SPARE PARTS CATALOG	1	Not supplied
12	36090004	USER MANUAL	1	Not supplied
13	36090005	WORKSHOP MANUAL	1	Not supplied
14	36010004	ENGINE EXPLODED VIEW	1	Not supplied
15	36090002	SPECIAL TOOLS EXPLODED VIEW (GEMINI-GX)	1	Not supplied
16	36090003	MAINTENANCE SCHEDULE	1	Not supplied
19	42290000	GEMINI G2 SPECIAL TOOLS KIT	AR	

PLATE-15
BODY PART

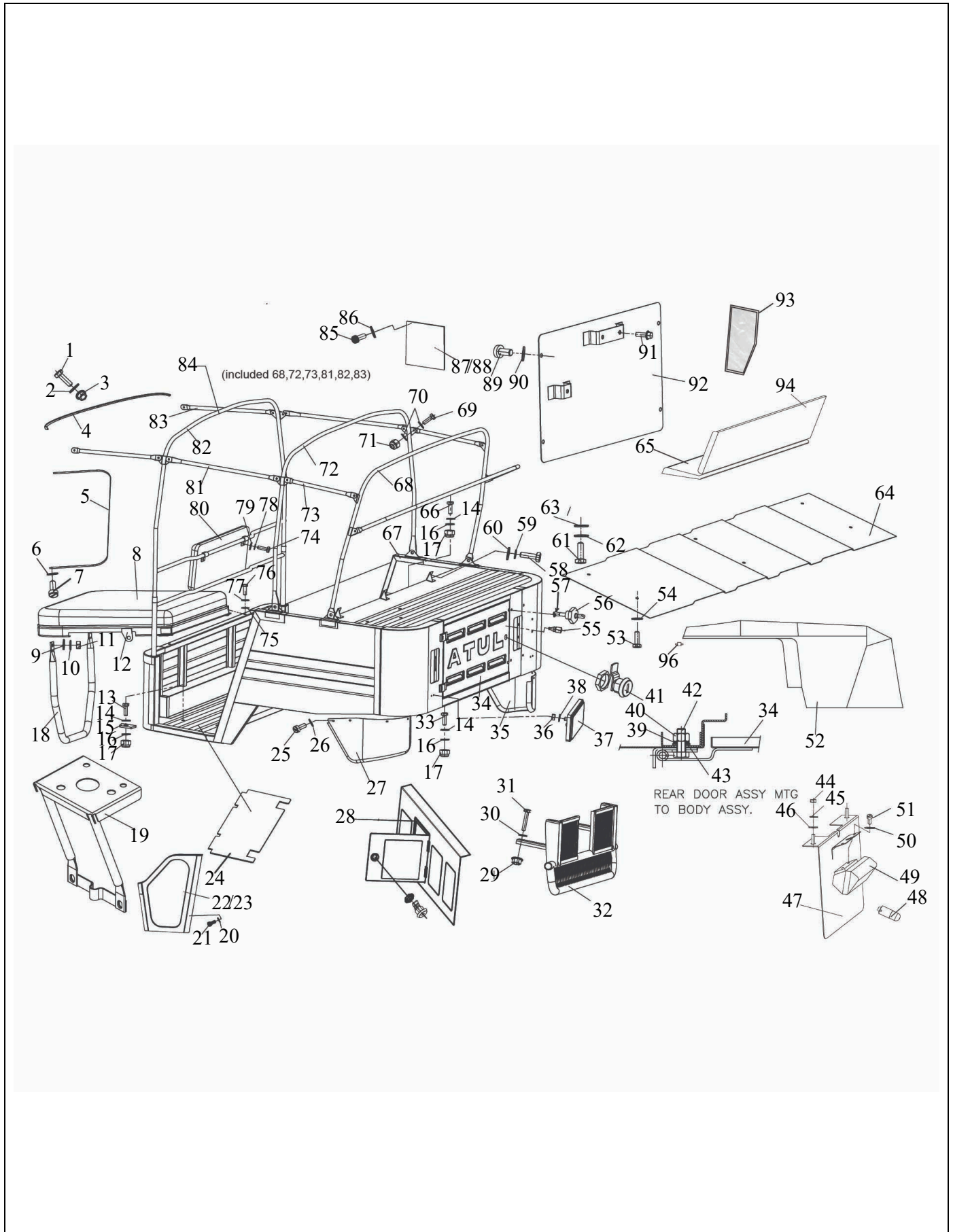


PLATE-15
BODY PART

Fig. No.	Part No.	Description	Qty	Remarks
1	80457294	SCREW [M6 X 16]	7	Plate soft top mtg.
2	81020064	SPRING WASHER M6	7	
3	80930060	FLANGE NUT M6	7	
4	27050313	PLATE SOFT TOP MTG INSIDE	1	
5	29053201	LATERAL PROFILE FOR COVER - SOFT TOP	1	Not supplied
6	27051088	PL WASHER 12X4.5X1	13	
7	27050733	SELF TAPPING SCREW	13	Lateral profile mtg
8	29050370	DRIVER SEAT ASSY	1	
9	73060084	PLAIN WASHER M8	2	Seat support pipe
10	81020084	SPRING WASHER M8	2	
11	80757012	HEX NUT M8	2	
12	29050380	DRIVER SEAT FRAME ASSY	1	
13	80457378	HEX HEAD SCREW M8X25	4	
14	27050771	PL WASHER M8	12	Rear body mtg.
15	27010050	PLATE BODY MOUNTING	4	
16	81020084	SPRING WASHER M8	8	
17	80920080	NYLOC NUT [M8]	8	
18	29050363	DRIVER SEAT FRAME SUPPORT TUBE	1	
19	26092310	FARE METER SUPPORT PLATE	1	Not supplied
20	80008015	SLOTTED CHEESE HEAD SCREW [M4 X 15]	7	Side door mtg.
21	73060043	PLAIN WASHER	7	
22	36054111	SIDE DOOR LH PASS, COMPARTMENT	1	Optional for one si
23	36054101	SIDE DOOR RH PASS, COMPARTMENT	1	
24	33095010	CARPET-PASS. COMP.	1	Fr. body mtg.
25	27050729	SELF TAPPING SCREW 6SG X 9.5 AB	8	
26	33052501	PL WASHER 12X4.5X1	8	Rear panel mtg.
27	29151026	REAR PANEL LH - DARK GREY	1	
27	29051026	PANEL LH	1	
28	36052343	BEADING BATTERY DOOR	1	
29	80930080	HEX FLANGED NUT M8	2	
30	73060084	PLAIN WASHER M8	2	Rear bumper assy mt
31	80357535	HEX HD BOLT M8X100 CL 8.8	2	
32	29090100	REAR BUMPER ASSY	1	
33	80457383	HEX HEAD SCREW M8X38	2	Mid. Body mtg.
34	29051140	REAR DOOR ASSY	1	
35	29151027	REAR PANEL RH - DARK GREY	1	
35	29051027	PANEL RH	1	
36	80757009	HEX NUT M5	2	
37	50186070	REFLECTOR	2	
38	81020053	SPRING WASHER M5	2	

PLATE-15
BODY PART

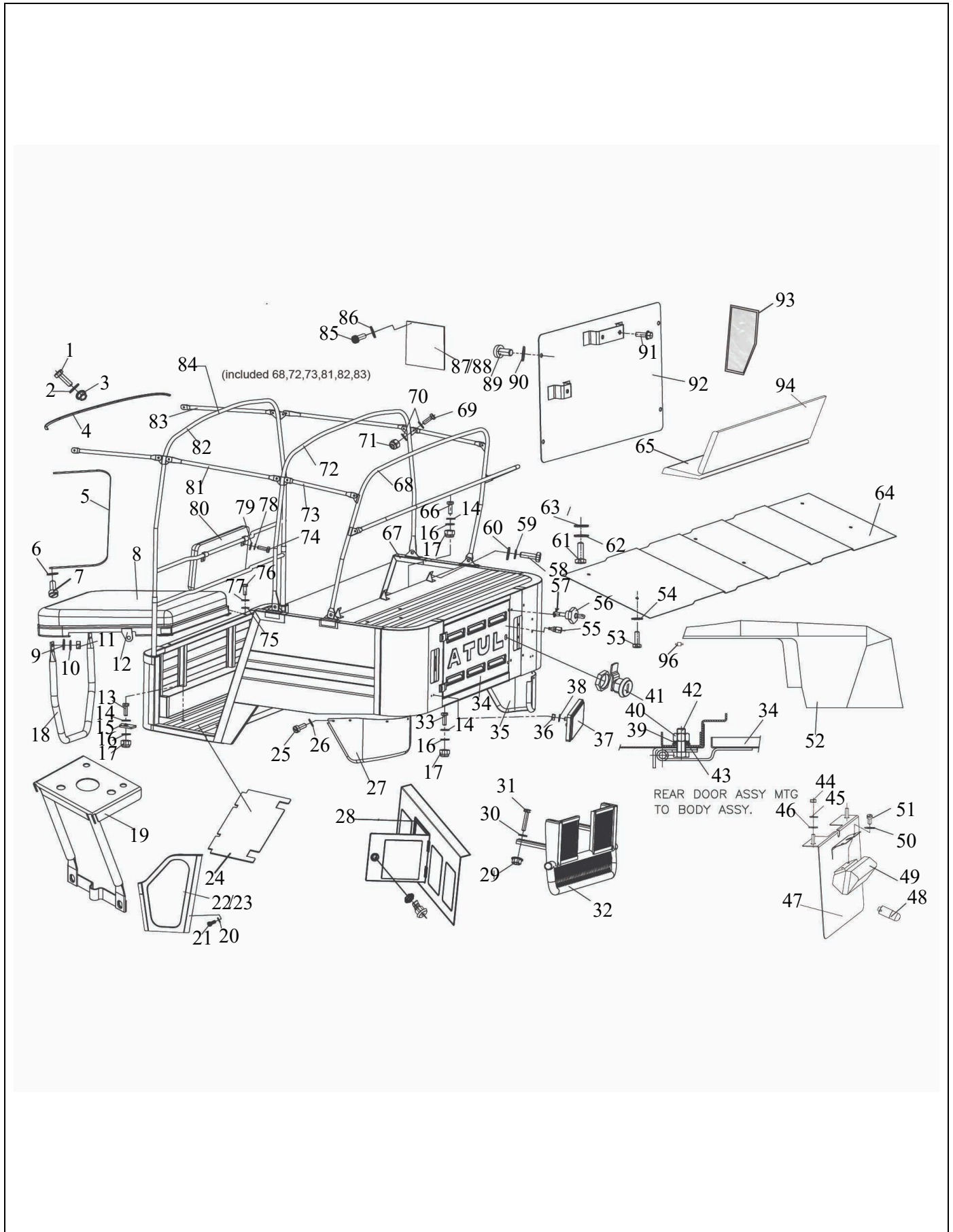


PLATE-15
BODY PART

Fig. No.	Part No.	Description	Qty	Remarks
39	81020064	SPRING WASHER M6	2	
40	80757010	NUT [M6]	2	
41	29051135	LOCK FOR REAR DOOR & LID W/O KEY	1	Not supplied
42	80457295	HEX HD SCREW M6X18	2	
43	73060064	WASHER [M6]	2	Rear door assy to b
44	80757012	HEX NUT M8	2	Registration plat m
45	81020064	SPRING WASHER M6	2	
46	73060064	WASHER [M6]	2	
47	29090150	REGISTRATIONPLATE ASSY	1	
48	80531205	BULB 12V-5W	1	
49	27080186	LIGHT ASSY WITH BULB REGISTRATION PLATE	1	
50	73060033	PL WASHER 7X3.3X0.5	2	Registration plat
51	27050727	PAN SELF TP SCREW 6SGX13AB	2	light mtg.
52	29059160	CANVAS (SOFT TOP ASSY)	1	
53	80457296	HEX HEAD SCREW M6X20	6	Pass seat to mid.
54	73060064	WASHER [M6]	6	floor mtg.
55	29051024	GROMMET (REAR DOOR ASSY)	2	
56	29051160	KNOB ASSY (REAR DOOR)	2	
57	75503010	SPLIT PIN	2	
58	80457296	HEX HEAD SCREW M6X20	3	Pass back rest mtg.
59	81020064	SPRING WASHER M6	3	
60	73070064	PLAIN WASHER M6	3	
61	80457378	HEX HEAD SCREW M8X25	2	
62	81020084	SPRING WASHER M8	2	Paxx seat mtg.
63	73060084	PLAIN WASHER M8	2	
64	29051028	MIDDLE FLOOR	1	
65	29050570	SEAT PASSENGER ASSY.	1	
65	29059790	SEAT PASSENGER ASSY.	1	
66	80457376	HEX HEAD SCREW M8X20	2	
67	36050020	BODY ASSY. COMPLATE	1	
68	33055710	REAR TUBE ASSY	1	Not supplied
69	80457294	SCREW [M6 X 16]	16	
70	73060064	WASHER [M6]	32	Hood frame tubes mt
71	80920060	NYLOCK NUT (M6)	16	
72	29053050	MIDDLE TUBE ASSY	1	Not supplied
73	29053013	SUPPORT TUBE (MID TUBE TO REAR TUBE TOP)	2	Not supplied
74	80457296	HEX HEAD SCREW M6X20	2	
75	27050771	PL WASHER M8	2	Driver seat to body
76	81020084	SPRING WASHER M8	2	
77	80457376	HEX HEAD SCREW M8X20	2	

PLATE-15
BODY PART

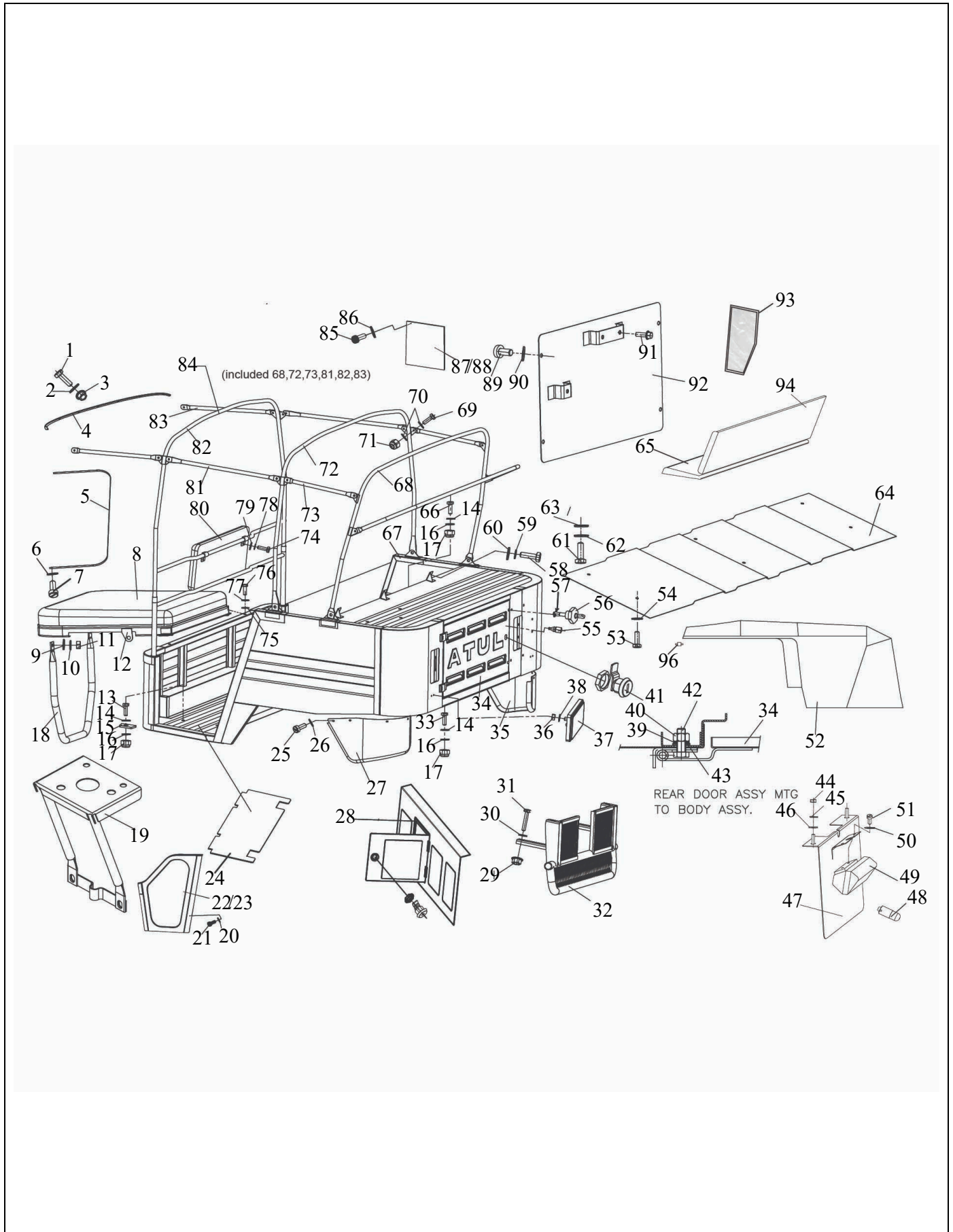


PLATE-15
BODY PART

Fig. No.	Part No.	Description	Qty	Remarks
78	81020064	SPRING WASHER M6	2	Driver back rest mt
79	73070064	PLAIN WASHER M6	2	
80	29050390	DRIVER BACK REST ASSY	1	
81	29053014	SUPPORT TUBE (FRONT TUBE TO MID TUBE)	2	Not supplied
82	29053030	FRONT TUBE ASSY	1	Not supplied
83	29053011	SUPPORT TUBE (WIND SHIELD TO FRONT TUBE)	2	Not supplied
84	36050549	HOOD FRAME ASSY. (GEMINI)	1	
85	27050725	PAN SELF TP SCREW 8SGX16AB	6	Side pad mtg.
86	27050772	PLAIN METTALIC WASHER 15X5X1	6	
87	36050015	SIDE PAD RH	1	
87	36050015	SIDE PAD RH	1	MODIFIED (11.07.201
88	36050014	SIDE PAD LH	1	
88	36050014	SIDE PAD LH	1	MODIFIED (11.07.201
89	33052513	CROSS RECESS PAN HEAD SCREW M6X12	4	Plate assy ign. Box
90	81020064	SPRING WASHER M6	4	mtg. to body
91	80477292	FLANGE SCREW [M6 X 12]	3	Box electrical mtg.
92	33056125	PLATE ASSY IGNITION BOX MTG	1	Not supplied
93	36058010	SIDE RAIN CURTAIN	1	
94	36050500	PASSENGER BACK REST ASSY	1	
95	27080186	LIGHT ASSY WITH BULB REGISTRATION PLATE	1	
96	32250309	CLIP FOR SOFT TOP	4	

PLATE-16
HAND STARTER

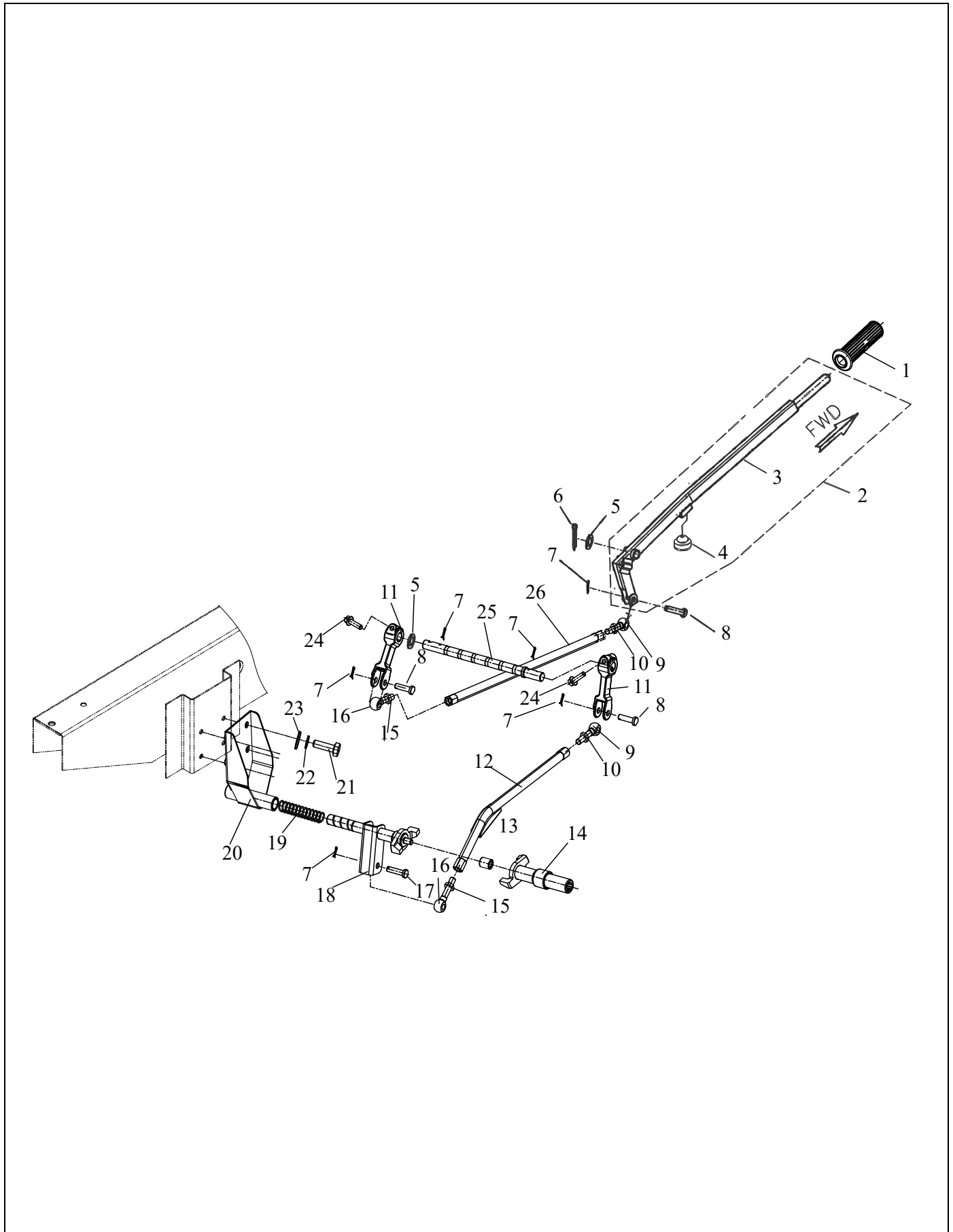


PLATE-16
HAND STARTER

Fig. No.	Part No.	Description	Qty	Remarks
1	36070027	GRIP HANDLE (HANDLE START LEVER)	1	
2	36070220	HAND START LEVER ASSY COMP	1	
3	36070200	HAND START LEVER ASSY	1	
4	36070026	RUBBER STOP (HAND START LEVER)	1	
5	27040552	PL WASHER 24X16X1.5	1	
6	75522526	SPLIT PIN	1	
7	75503010	SPLIT PIN	2	
8	36070023	PIN FOR MIDDLE LINK	2	
9	36070101	EYE BOLT (RH)	2	
10	36070103	RH THREADED LOCK NUT	2	
11	36070022	LINK MIDDLE	2	
12	36070090	CONNECTING TUBE SUB ASSY REAR	1	
13	36070028	RUBBER BUS (HAND START)	1	
14	36070040	SPLINED SHAFT ASSY ENG. SIDE	1	
15	36070104	LH THREADED LOCK NUT	2	
16	36070102	EYE BOLT (LH)	2	
17	36070024	PIN FOR FRONT & REAR LINK	2	
18	36070030	SHAFT ASSY ENGINE SIDE	1	
19	36070025	SPRING HAND START	1	
20	36070050	BRACKET ASSY (LINK ENGINE SIDE)	1	
21	80457374	HEX HEAD SCREW M8X16	4	
22	81020084	SPRING WASHER M8	4	
23	73060084	PLAIN WASHER M8	4	
24	80477380	HEX FLANGED SCREW M8X30	2	
25	36070044	MIDDLE SHAFT	1	
26	36070100	CONNECTING TUBE ASSY FRONT	1	

PLATE-17
WIRING HARNESS

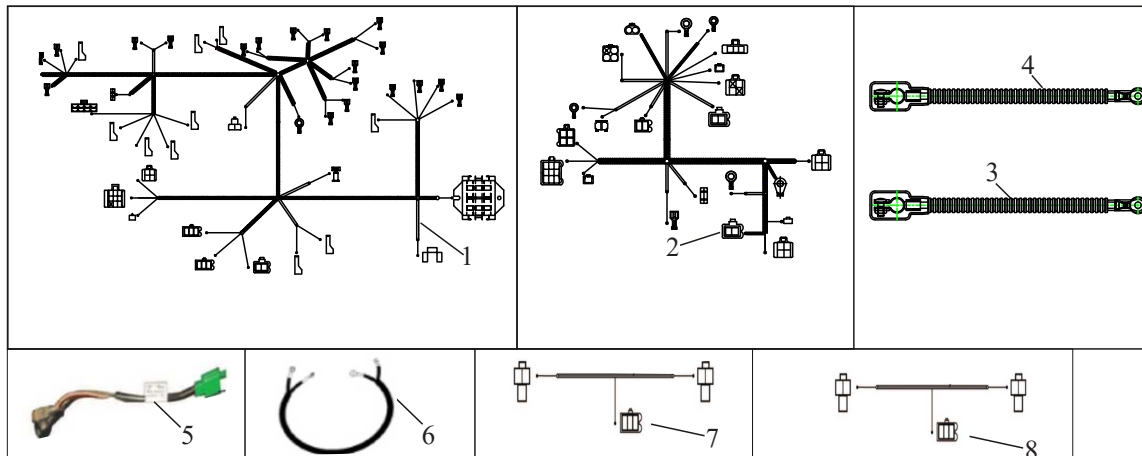


PLATE-17**WIRING HARNESS**

Fig. No.	Part No.	Description	Qty	Remarks
1	36080100	WIRING HARNESS FRONT (GEMINI - 4S)	1	
1	36080012	WIRING HARNESS FRONT	1	For Fuel tank 10.5
2	36080120	WIRING HARNESS REAR (GEMINI - 4S)	1	
2	36080013	WIRING HARNESS REAR	1	For Fuel tank 10.5
3	36082050	BATTERY CABLE -VE ASSY (GEMINI GX CNG)	1	
4	36080202	BATTERY CABLE +VE ASSY (BATERRY TO STARTER MOTOR)	1	
5	27080209	PIG TAIL FOR 100A STARTER RELAY	1	
6	36080205	PIG TAIL FOR RR UNIT EXTENSION	1	
7	36082060	W/H PIGTAIL FOR MAGNETO TO RR UNIT	1	
8	36085050	W/H PIGTAIL FOR MAGNETO TO RR UNIT	1	

PLATE-18
AIR FILTER ELEMENT

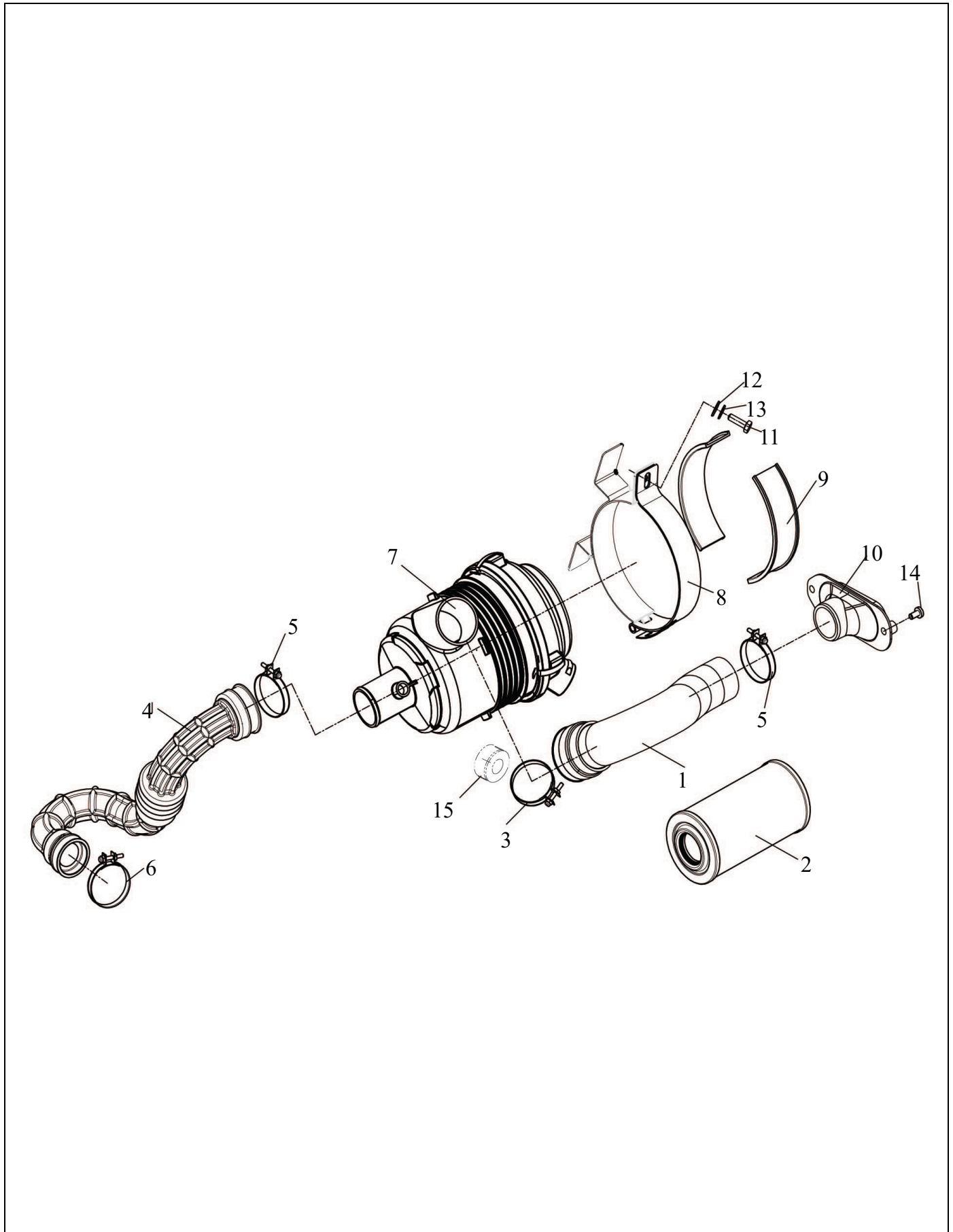


PLATE-18**AIR FILTER ELEMENT**

Fig. No.	Part No.	Description	Qty	Remarks
1	36010397	BELLOW ASSY BODY TO AIR FILTER	1	
2	36010403	AIR FILTER ELEMENT	1	
3	26071004	CLAMP BIG (DIA 62)	1	
4	36012010	BELLOW ASSY AIR FILTER TO CARB	1	
5	22071003	CLAMP- BIG AIRCLEANER BELLOW[CNG] 54MM	2	
6	22071004	CLAMP SMALL DIA 45	1	
7	36010390	AIR FILTER ASSY (MAHLE)	1	
8	36010391	CLAMP AIR FILTER ASSY COMP	1	
9	36010396	PACKING FOR STRAP (AIR FILTER)	2	
10	33012160	FLANGE INLET ASSY AIR FILTER (GEMINI)	1	
11	80457378	HEX HEAD SCREW M8X25	1	Clamp air filter as
12	73060084	PLAIN WASHER M8	1	
13	81020084	SPRING WASHER M8	1	
14	36050901	CRS RCS ROUND PAN HEAD SCREW M6X20 (OLIV	2	Flange inlet assy a
15	36010404	PACKING REAR SIDE GEMINI GX	1	

PLATE-19

SILENCER AND OIL COOLER ASSY.

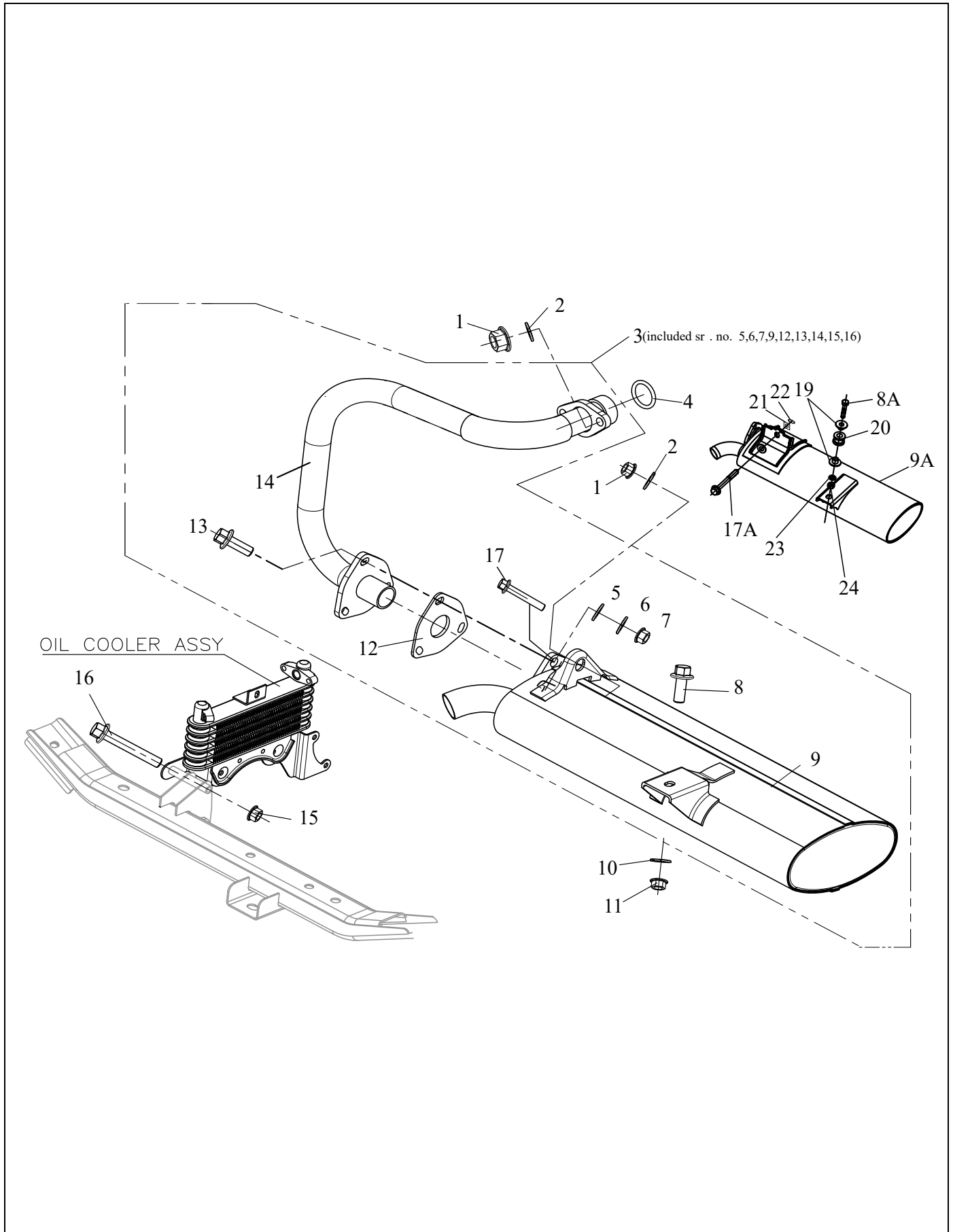


PLATE-19**SILENCER AND OIL COOLER ASSY.**

Fig. No.	Part No.	Description	Qty	Remarks
1	80930080	HEX FLANGED NUT M8	3	Exhaust tube top fl
2	81020084	SPRING WASHER M8	3	Exhaust tube top fl
3	36017060	SILENCER ASSY COMP	1	Include 5,6,7,9,12,
3	36010490	SILENCER ASSY COMP	1	For export only (N/
4	36010008	PACKING SILENCER ENGINE SIDE	1	Along with eng. SOS
5	73060064	WASHER [M6]	3	muffler assy
6	81020064	SPRING WASHER M6	3	Exhaust tube assy m
7	80930060	FLANGE NUT M6	3	
8	80477416	HEX FLANGED SCREW (M10X20)	1	Silencer assy mtg t
8A	80477383	HEX FLANGE BOLT M8X40	1	Modified (24.04.17)
9	36010460	MUFFLER ASSY	1	For export only
9A	36010295	MUFFLER ASSY	1	Modified (24.04.17)
10	81020105	SPRING WASHER M10	1	member eng. Mtg. re
11	80930100	HEX FLANGED NUT M10	1	
12	36010331	GASKET (MUFFLET SIDE)	1	
13	80477298	HEX FLANGED SCREW M6X25	3	
14	36010450	EXHAUST TUBE ASSY W/O CATCON	1	
15	80930060	FLANGE NUT M6	1	
16	80367306	FLANGE BOLT (M6X50)	1	
17	80357388	HEX HEAD BOLT (M8X60)	1	Silencer assy
17A	36018054	HEX FLANGE BOLT M10X1.5	1	Modified (24.04.17)
18	36010250	KIT GASKET EXHAUST	1	Included Fig. 4,12
19	36018051	BUSH(FOR REAR MUFFLER MTG)	2	
20	36018052	GROMMET(FOR REAR MUFFLER MTG)	1	
21	36018053	NUT CLAMP	1	
22	73060110	PLAIN WASHER M10	1	
23	73060084	PLAIN WASHER M8	1	
24	80930080	HEX FLANGED NUT M8	1	

PLATE-20

FARE METER HOUSING ASSY.

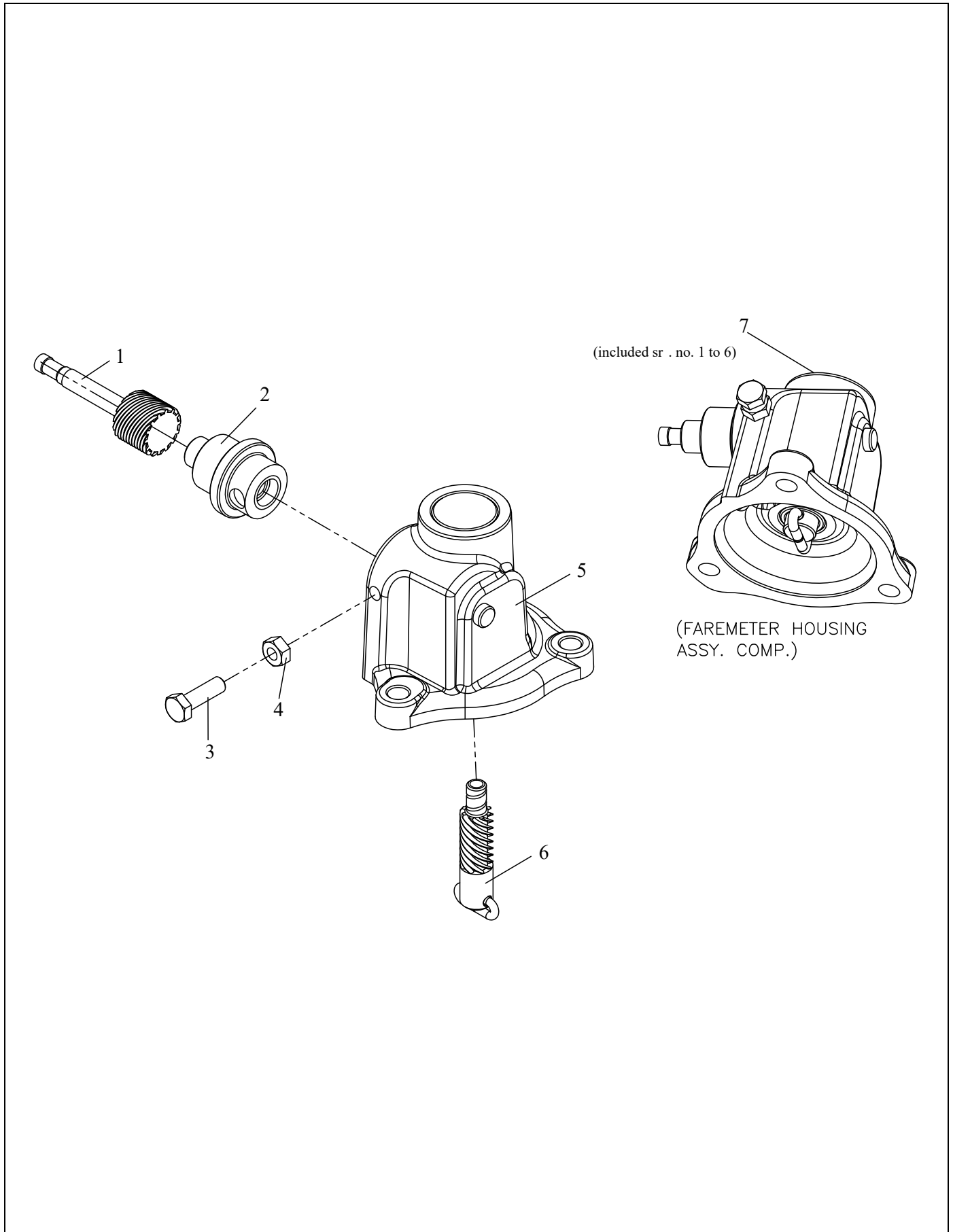


PLATE-20**FARE METER HOUSING ASSY.**

Fig. No.	Part No.	Description	Qty	Remarks
1	26030085	FARE METER GEAR	1	
2	26030086	ADOPTER	1	
3	80457254	HEX HEAD SCREW M5X16	1	
4	80757009	HEX NUT M5	1	
5	36030101	FAREMETER HOUSING ASSY	1	
6	36030110	FAREMETER PINION ASSY	1	
7	36030101	FAREMETER HOUSING ASSY	1	Not supply

