

SUZUKI

UB125NMM / NMXM3

P74



SUZUKI

PARTS CATALOGUE

UB125

UB125NMM3 (MB8EA11DAM)

UB125NMXM3 (MB8EA11DAM)

BURGMAN
STREET

JAN-2021

1ST EDITION

UB125NM/NMXM3



COLOR CODE	DESCRIPTION	MODEL
YPA	SUZUKI BURGMAN_WHITE	UB125NMM3



COLOR CODE	DESCRIPTION	MODEL
PGZ	SUZUKI BURGMAN_GRAY	UB125NMM3



COLOR CODE	DESCRIPTION	MODEL
YBB	SUZUKI BURGMAN_BLUE	UB125NMXM3



COLOR CODE	DESCRIPTION	MODEL
QMV	SUZUKI BURGMAN_MAT.RED	UB125NMXM3



COLOR CODE	DESCRIPTION	MODEL
YKV	SUZUKI BURGMAN_MAT.BLACK	UB125NMXM3

INFORMATION
ILLUSTRATION INDEX

1

ENGINE
TRANSMISSION

2

ELECTRICAL

3

BODY

4

PARTS NUMBER INDEX

5

ACCESSORIES

6

FIG. NO.	TITLE	ADDRESS NO.
102A	CYLINDER HEAD COVER	1-B-2
103A	CYLINDER HEAD	1-B-3
107A	CYLINDER	1-B-4
108A	CRANKCASE	1-B-5
112A	CRANKCASE COVER	1-B-6
120A	CRANKSHAFT	1-B-7
126A	CAMSHAFT/VALVE	1-B-8
127A	CAM CHAIN	1-B-9
140A	THROTTLE BODY	1-B-10
155A	AIR CLEANER	1-B-11
163A	MUFFLER (UB125NM)	1-B-12
163B	MUFFLER (UB125NMX)	1-B-13
170A	OIL PUMP	1-B-14
172A	FUEL PUMP	1-B-15
181A	COOLING FAN	1-B-16
210A	TRANSMISSION (1)	1-C-2
211A	TRANSMISSION (2)	1-C-3
240A	KICK STARTER	1-C-4
301A	STARTING MOTOR	1-C-5
303A	MAGNETO	1-C-6
310A	BATTERY	1-C-7
312A	ELECTRICAL	1-C-8
330A	SPEEDOMETER	1-C-9
333A	HEADLAMP	1-C-10
335A	FRONT TURNSIGNAL LAMP	1-C-11
339A	REAR COMBINATION LAMP	1-C-12
350A	WIRING HARNESS	1-C-13
352A	LOCK SET	1-C-14
401A	FRAME	1-C-15
405A	BATTERY HOLDER	1-C-16
407A	STAND	1-D-2
415A	FOOTREST	1-D-3
420A	FUEL TANK	1-D-4
427A	EVAP SYSTEM	1-D-5
435A	FRONT LEG SHIELD (UB125NMX)	1-D-6
435B	FRONT LEG SHIELD (UB125NM)	1-D-7
438A	SIDE LEG SHIELD (UB125NMX)	1-D-8
438B	SIDE LEG SHIELD (UB125NM)	1-D-9
440A	REAR LEG SHIELD (UB125NMX)	1-D-10
440B	REAR LEG SHIELD (UB125NM)	1-D-11
445A	FRAME COVER (UB125NMX)	1-D-12

FIG. NO.	TITLE	ADDRESS NO.
445B	FRAME COVER (UB125NM)	1-D-13
454A	WINDSCREEN	1-D-14
456A	HELMET BOX	1-D-15
460A	FRONT FENDER (UB125NMX)	1-D-16
460B	FRONT FENDER (UB125NM)	1-E-2
462A	HANDLEBAR	1-E-3
463A	HANDLE COVER (UB125NMX)	1-E-4
463B	HANDLE COVER (UB125NM)	1-E-5
467A	HANDLE LEVER	1-E-6
474A	REAR FENDER	1-E-7
489A	FRONT BOX (UB125NMX)	1-E-8
489B	FRONT BOX (UB125NM)	1-E-9
496A	LABEL	1-E-10
505A	SEAT	1-E-11
521A	FRONT FORK DAMPER	1-E-12
524A	STEERING STEM	1-E-13
530A	FRONT WHEEL	1-E-14
535A	FRONT CALIPER	1-E-15
537A	FRONT MASTER CYLINDER	1-E-16
545A	REAR SHOCK ABSORBER	1-F-2
550A	REAR WHEEL	1-F-3
970A	FRONT LICENSE PLATE SET	1-F-4
970B	ACCESSORIES BAR SET	1-F-5
970C	OPTIONAL (USB PORT)	1-F-6
970D	OPTIONAL (SIDE TUBE SET,RR FOOTREST)	1-F-7

PREFACE

When it becomes necessary to replace parts on SUZUKI MOTORCYCLES, always use SUZUKI GENUINE PARTS which have passed a strict inspection which guarantees quality and performance. This parts catalogue covers the list of all service parts for SUZUKI UB125NMM3, UB125NMXM3.

INSTRUCTIONS FOR QUOTING THE CATALOGUE

1. DIMENSIONS

Dimensions of the parts in this catalogue are indicated in unit millimeters.

2. ABBREVIATIONS

Abbreviations used in this catalogue are as follows:

AR	: As required	NT	: Number of teeth
ASSY	: Assembly	OPT	: Optional
E.NO.	: Engine number	OS	: Over size
F.NO.	: Frame number	STD	: Standard
D	: Diameter of material	T	: Thickness
ID	: Inside diameter	US	: Under size
OD	: Outside diameter	W	: Width
L	: Length		
LH	: Left hand side		
RH	: Right hand side		
~100045	: Up to F.NO.A100-100045		
100046	: From F.NO.A100-100046		

12 x 34 x 5.6..... Figures in the description column
 | | | show the dimensions of parts.
 ID OD T(or W,L)

→ 12345-56781 (Parts No.) : indicates that the parts number was changed to 12345-56781 and the new parts are interchangeable with the former ones but the former ones are not interchangeable with new ones.

← 12345-56781 (Parts No.) : indicates that the former and new parts are interchangeable with each other and both are usable.

3) INNER PARTS OF ASSEMBLY

Part name with a dot (.) in front as shown in the description column indicates the component of the assembly also available individually.

4) MODIFICATION NOTICE

A parts bulletin will be sent to you on all occasions when changes in parts occur, including interchangeable modifications between new parts and old ones.

5. NOTE

5-1. There are some different parts from those of production models among spare parts for the administrative reasons and common use of them with other models.

5-2. In respect of rubber hoses and vinyl tubes, please be sure to use them by cutting off

according to the length mentioned on parts catalogue or what is actually required on the vehicle.

5-3. Note that the drawings on the illustration page are for ready reference of spare parts number, not to be used as an assembly manual.
 When assembling, use "SUZUKI SERVICE MANUAL".

6. SPECIFICATION CODE

This catalogue contains the parts for the model designed for the following spec.;
 spec. code : P74.

7. SERIAL FRAME NUMBER

UB125NMM3 :- MB8EA11DAM8166560~
 UB125NMXM3 :- MB8EA11DAM8166590~

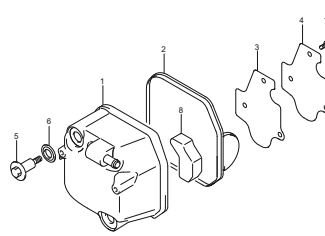
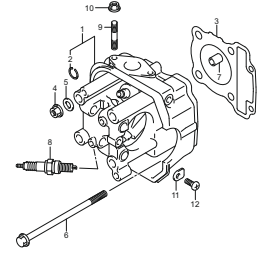
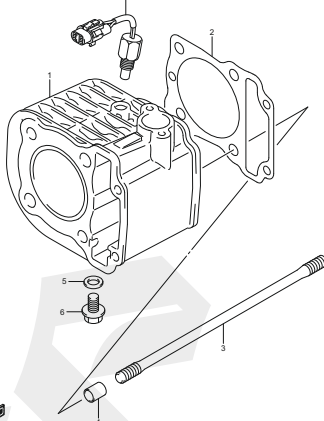
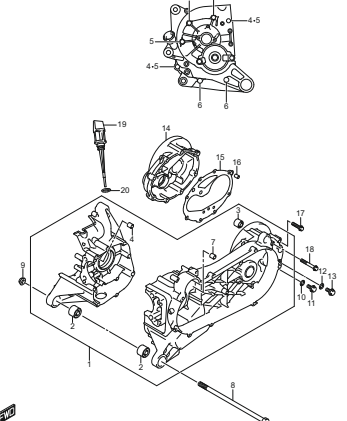
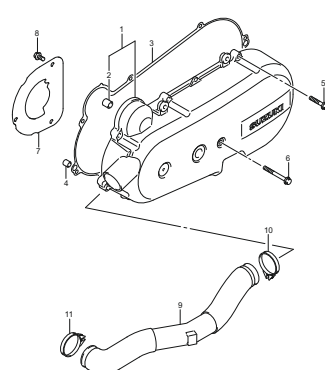
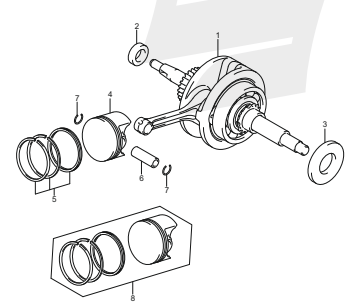
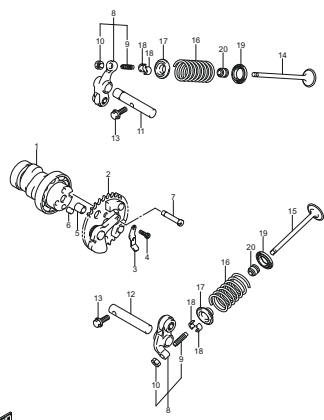
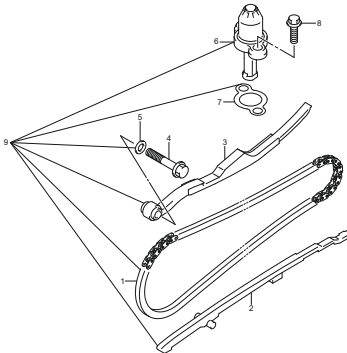
*Note

1) 9th Digit of frame number signifies month of production

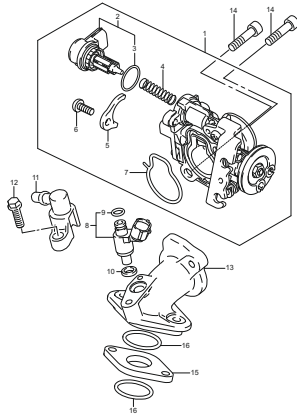
MONTH	CODE
January	A
February	B
March	C
April	D
May	E
June	F
July	G
August	H
September	J
October	K
November	L
December	M

2) 10th digit of frame no signifies year of production

YEAR	CODE
2010	A
2011	B
2012	C
2013	D
2014	E
2015	F
2016	G
2017	H
2018	J
2019	K
2020	L
2021	M

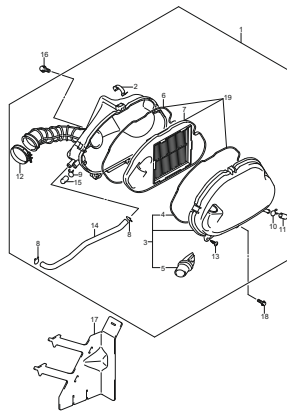
<p>102A CYLINDER HEAD COVER (B-2)</p>  <p>UB125NMM3_P74_102A CYLINDER HEAD COVER</p>	<p>103A CYLINDER HEAD (B-3)</p>  <p>UB125NMM3_P74_103A CYLINDER HEAD</p>	<p>107B CYLINDER (B-4)</p>  <p>UB125NMM3_P74_107A CYLINDER</p>	<p>108A CRANKCASE (B-5)</p>  <p>UB125NMM3_P74_108A CRANKCASE</p>
<p>112A CRANKCASE COVER (B-6)</p>  <p>UB125NMM3_P74_112A CRANKCASE COVER</p>	<p>120A CRANKSHAFT (B-7)</p>  <p>UB125NMM3_P74_120A CRANKSHAFT</p>	<p>126A CAMSHAFT/VALVE (B-8)</p>  <p>UB125NMM3_P74_126A CAMSHAFT/VALVE</p>	<p>127A CAM CHAIN (B-9)</p>  <p>UB125NMM3_P74_127A CAM CHAIN</p>

140A THROTTLE BODY (B-10)



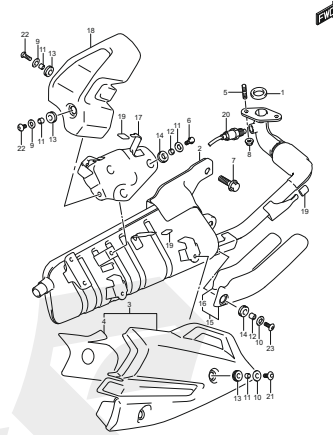
UB125NMM3_P74_140A
THROTTLE BODY

155A AIR CLEANER (B-11)



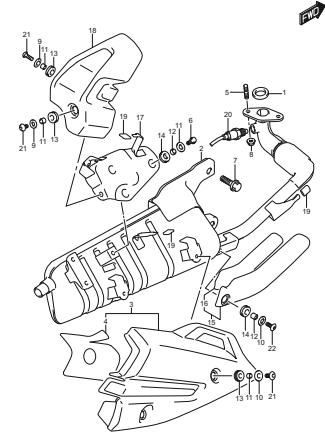
UB125NMM3_P74_155A
AIR CLEANER

163A MUFFLER (UB125NM) (B-12)



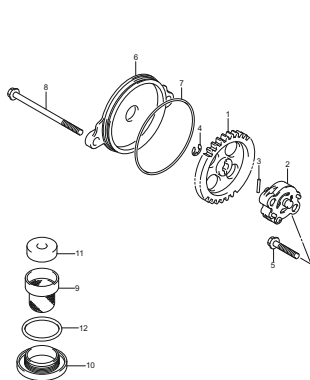
UB125NMM3_P74_163A
MUFFLER (UB125NM)

163B MUFFLER (UB125NMx) (B-13)



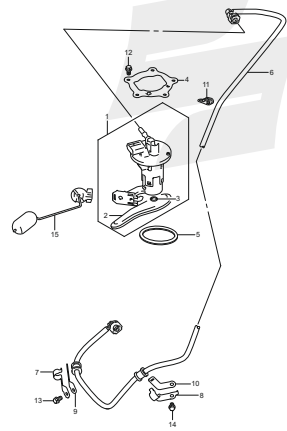
UB125NMM3_P74_163B
MUFFLER (UB125NMx)

170A OIL PUMP (B-14)



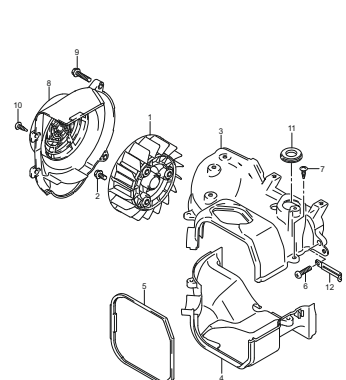
UB125NMM3_P74_170A
OIL PUMP

172A FUEL PUMP (B-15)



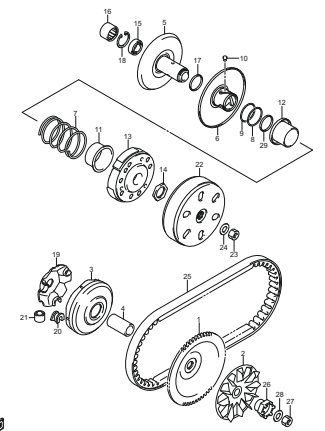
UB125NMM3_P74_172A
FUEL PUMP

181A COOLING FAN (B-16)



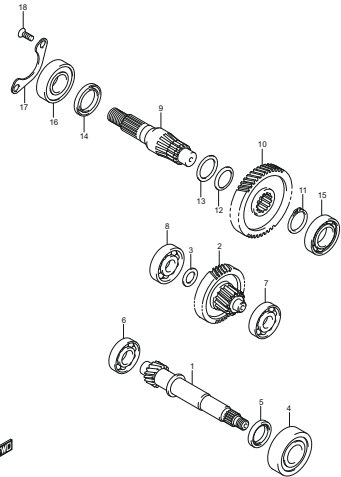
UB125NMM3_P74_181A
COOLING FAN

210A TRANSMISSION (1) (C-2)



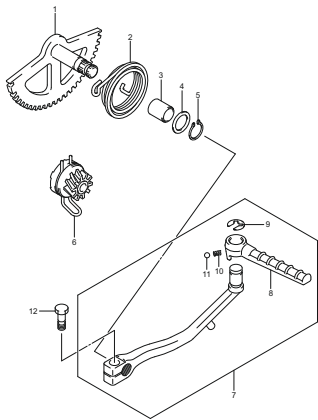
UB125NMM3_P74_210A
TRANSMISSION (1)

211A TRANSMISSION (2) (C-3)



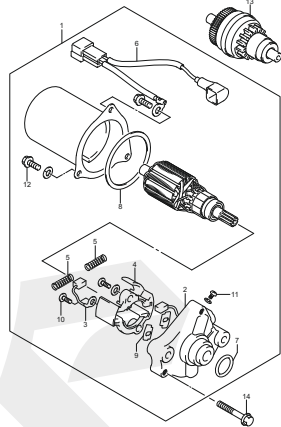
UB125NMM3_P74_211A
TRANSMISSION (2)

240A KICK STARTER (C-4)



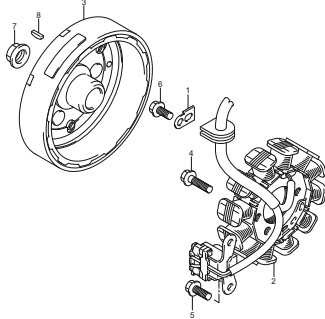
UB125NMM3_P74_240A
KICK STARTER

301A STARTING MOTOR (C-5)



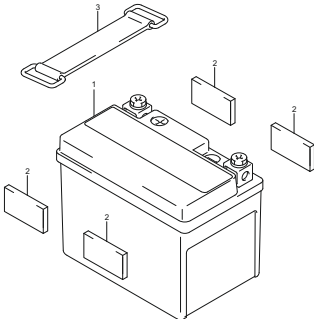
UB125NMM3_P74_301A
STARTING MOTOR

303A MAGNETO (C-6)



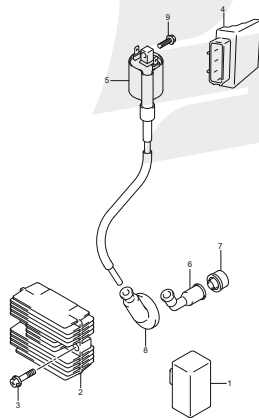
UB125NMM3_P74_303A
MAGNETO

310A BATTERY (C-7)



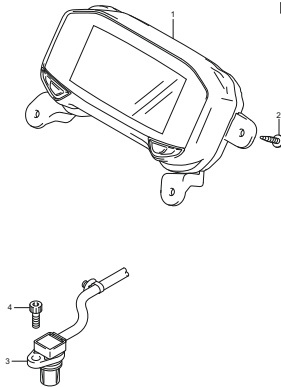
UB125NMM3_P74_310A
BATTERY

312A ELECTRICAL (C-8)



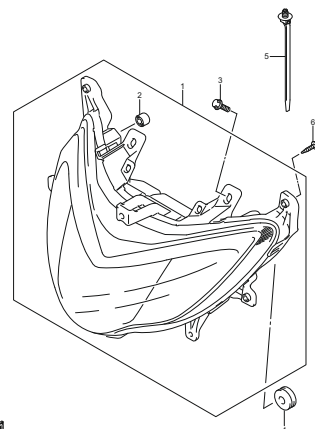
UB125NMM3_P74_312A
ELECTRICAL

330A SPEEDOMETER (C-9)



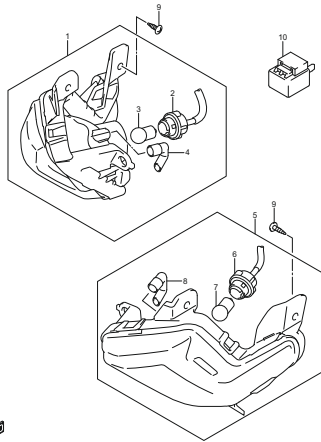
UB125NMM3_P74_330A
SPEEDOMETER

333A HEADLAMP (C-10)



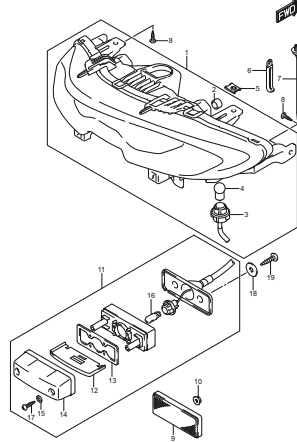
UB125NMM3_P74_333A
HEADLAMP

335A FRONT TURN SIGNAL LAMP (C-11)



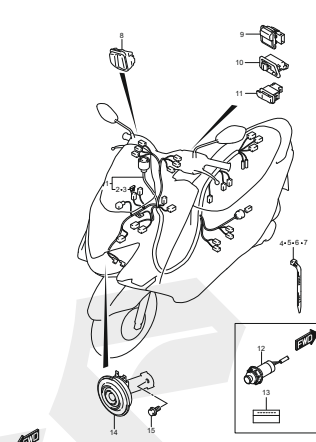
**UB125NMM3_P74_335A
FRONT TURN SIGNAL LAMP**

339A REAR COMBINATION LAMP (C-12)



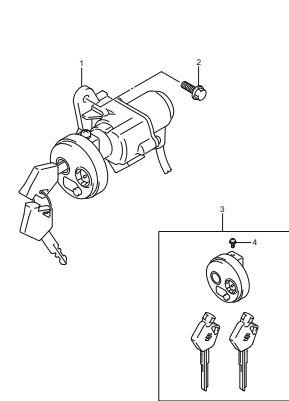
**UB125NMM3_P74_339A
REAR COMBINATION LAMP**

350A WIRING HARNESS (C-13)



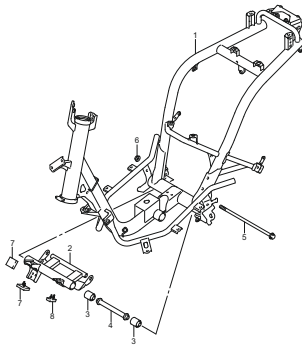
**UB125NMM3_P74_350A
WIRING HARNESS**

352A LOCK SET (C-14)



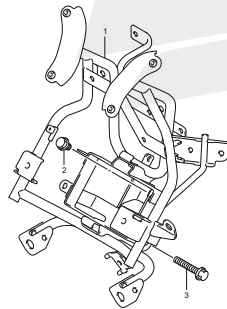
**UB125NMM3_P74_352A
LOCK SET**

401A FRAME (C-15)



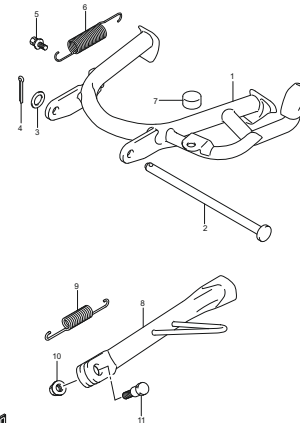
**UB125NMM3_P74_401A
FRAME**

405A BATTERY HOLDER (C-16)



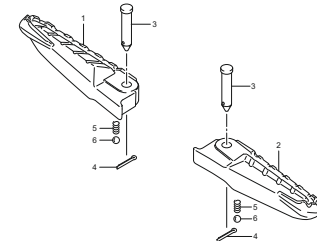
**UB125NMM3_P74_405A
BATTERY HOLDER**

407A STAND (D-2)



**UB125NMM3_P74_407A
STAND**

415A FOOTREST (D-3)



**UB125NMM3_P74_415A
FOOTREST**

420A FUEL TANK (D-4)

**UB125NMM3_P74_420A
FUEL TANK**

427A EVAP SYSTEM (D-5)

**UB125NMM3_P74_427A
EVAP SYSTEM**

**435A FRONT LEG SHIELD (UB125NMX)
(D-6)**

**UB125NMM3_P74_435A
FRONT LEG SHIELD (UB125NMX)**

**435B FRONT LEG SHIELD (UB125NM)
(D-7)**

**UB125NMM3_P74_435B
FRONT LEG SHIELD (UB125NM)**

**438A SIDE LEG SHIELD (UB125NMX)
(D-8)**

**UB125NMM3_P74_438A
SIDE LEG SHIELD (UB125NMX)**

**438B SIDE LEG SHIELD (UB125NM)
(D-9)**

**UB125NMM3_P74_438B
SIDE LEG SHIELD (UB125NM)**

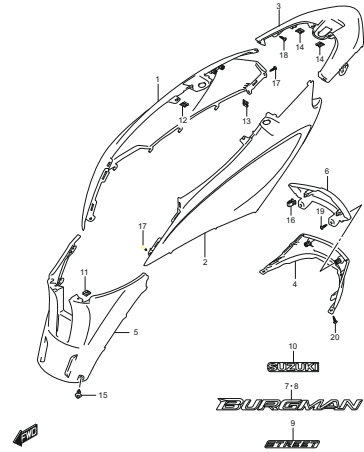
**440A REAR LEG SHIELD (UB125NMX)
(D-10)**

**UB125NMM3_P74_440A
REAR LEG SHIELD (UB125NMX)**

**440B REAR LEG SHIELD (UB125NM)
(D-11)**

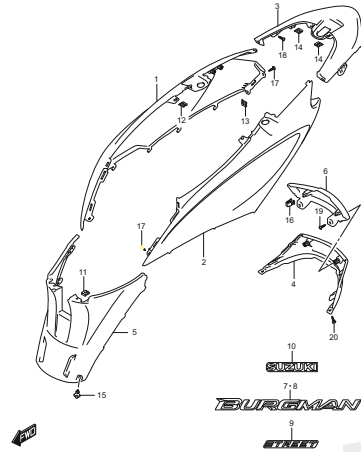
**UB125NMM3_P74_440B
REAR LEG SHIELD (UB125NM)**

445A FRAME COVER (UB125NMX)
(D-12)



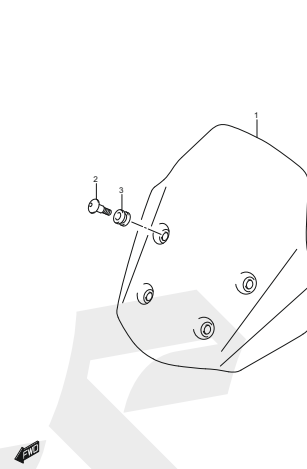
UB125NMM3_P74_445A
FRAME COVER (UB125NMX)

445B FRAME COVER (UB125NM)
(D-13)



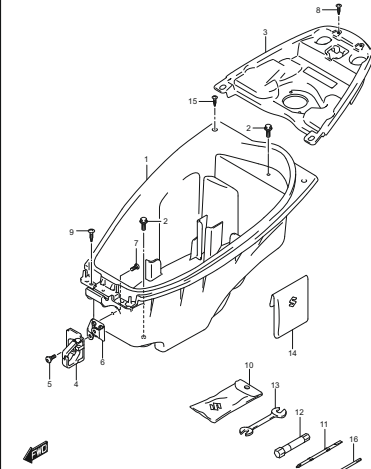
UB125NMM3_P74_445B
FRAME COVER (UB125NM)

454A WINDSCREEN (D-14)



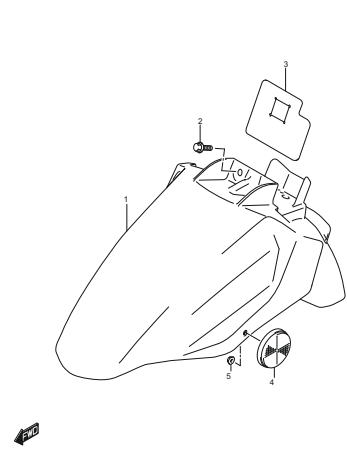
UB125NMM3_P74_454A
WINDSCREEN

456A HELMET BOX (D-15)



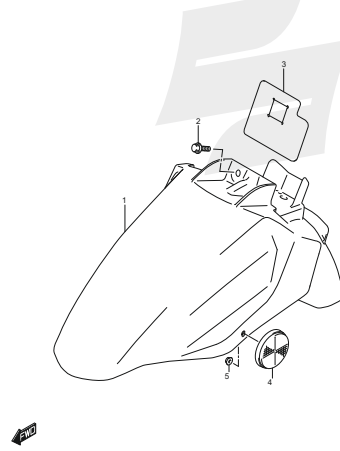
UB125NMM3_P74_456A
HELMET BOX

460A FRONT FENDER (UB125NMX)
(D-16)



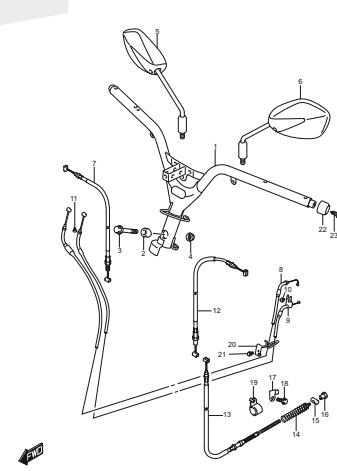
UB125NMM3_P74_460A
FRONT FENDER (UB125NMX)

460B FRONT FENDER (UB125NM)
(E-2)



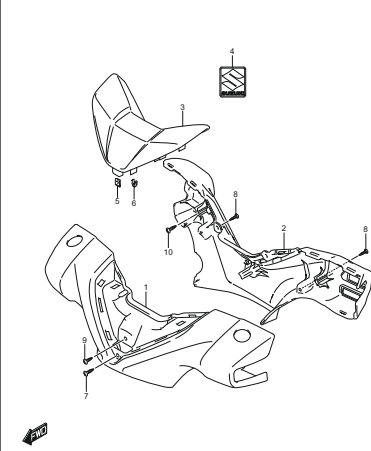
UB125NMM3_P74_460B
FRONT FENDER (UB125NM)

462A HANDLEBAR (E-3)



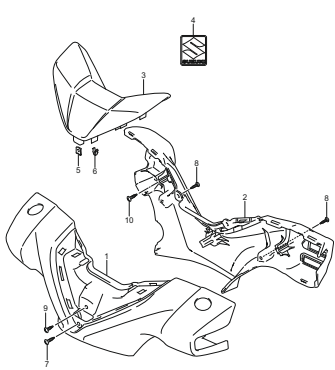
UB125NMM3_P74_462A
HANDLEBAR

463A HANDLE COVER (UB125NMX)
(E-4)



UB125NMM3_P74_463A
HANDLE COVER (UB125NMX)

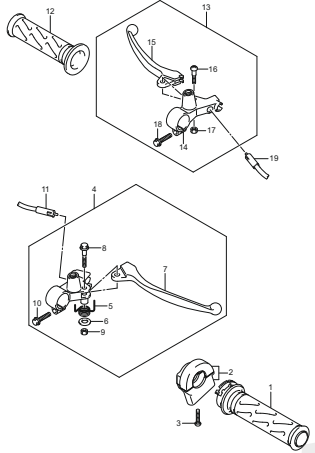
463B HANDLE COVER (UB125NM) (E-5)



UB125NMM3_P74_463B
HANDLE COVER (UB125NM)

This diagram shows the assembly of the handle cover. It includes a main view of the handle cover being attached to the handlebars, and a detailed inset showing the cover being secured with a screw and a lock washer. A small icon in the bottom left corner indicates that the cover should be pushed onto the handlebars.

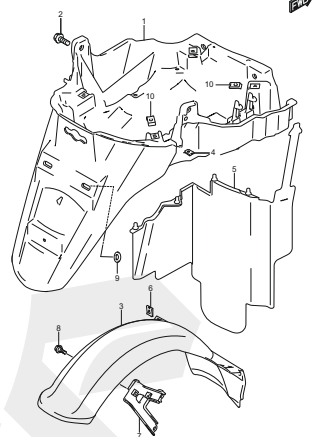
467A HANDLE LEVER (E-6)



UB125NMM3_P74_467A
HANDLE LEVER

This diagram illustrates the installation of the handle lever. It features a main view of the lever being mounted onto the handlebar, and a detailed inset showing the lever being secured with a screw and a lock washer. A small icon in the bottom left corner indicates that the lever should be pushed onto the handlebar.

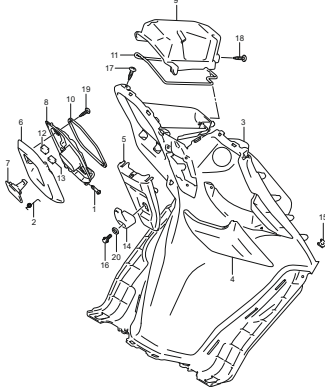
474A REAR FENDER (E-7)



UB125NMM3_P74_474A
REAR FENDER

This diagram shows the rear fender being attached to the motorcycle. It includes a main view of the fender being mounted to the rear subframe, and a detailed inset showing the fender being secured with a screw and a lock washer. A small icon in the bottom left corner indicates that the fender should be pushed onto the subframe.

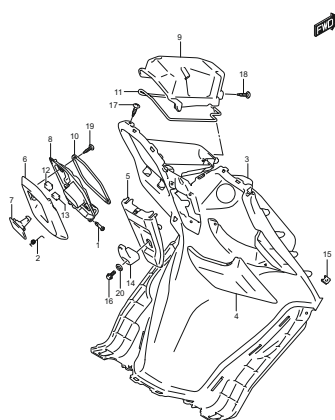
489A FRONT BOX (UB125NM) (E-8)



UB125NMM3_P74_489A
FRONT BOX (UB125NM)

This diagram illustrates the installation of the front box. It features a main view of the front box being mounted to the front subframe, and a detailed inset showing the box being secured with a screw and a lock washer. A small icon in the bottom left corner indicates that the box should be pushed onto the subframe.

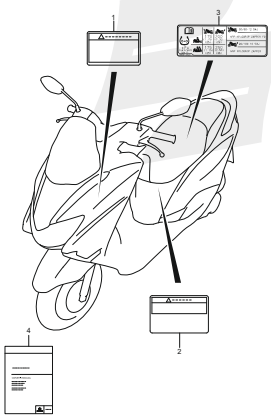
489B FRONT BOX (UB125NM) (E-9)



UB125NMM3_P74_489B
FRONT BOX (UB125NM)

This diagram shows the front box being attached to the motorcycle. It includes a main view of the front box being mounted to the front subframe, and a detailed inset showing the box being secured with a screw and a lock washer. A small icon in the bottom left corner indicates that the box should be pushed onto the subframe.

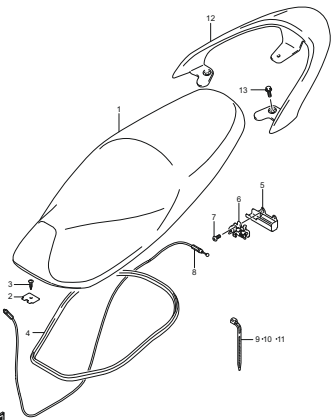
496A LABEL (E-10)



UB125NMM3_P74_496A
LABEL

This diagram illustrates the installation of the label. It features a main view of the label being placed on the motorcycle's bodywork, and a detailed inset showing the label being secured with a screw and a lock washer. A small icon in the bottom left corner indicates that the label should be pushed onto the bodywork.

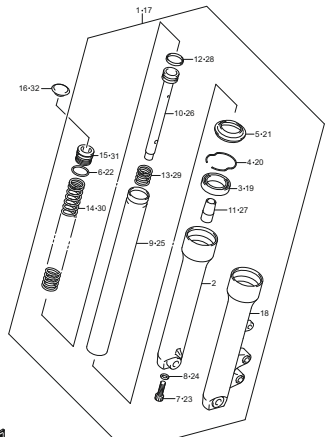
505A SEAT (E-11)



UB125NMM3_P74_505A
SEAT

This diagram shows the seat being attached to the motorcycle. It includes a main view of the seat being mounted to the seat post, and a detailed inset showing the seat being secured with a screw and a lock washer. A small icon in the bottom left corner indicates that the seat should be pushed onto the post.

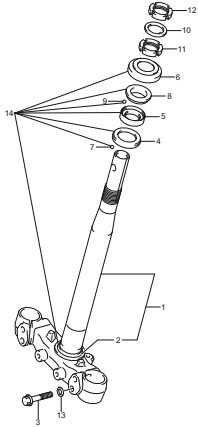
521A FRONT FORK DAMPER (E-12)



UB125NMM3_P74_521A
FRONT FORK DAMPER

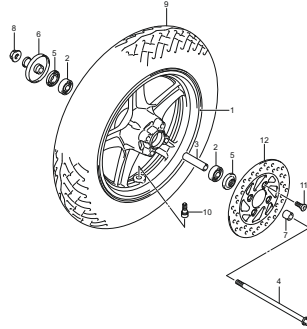
This diagram illustrates the installation of the front fork damper. It features a main view of the damper being mounted to the front fork, and a detailed inset showing the damper being secured with a screw and a lock washer. A small icon in the bottom left corner indicates that the damper should be pushed onto the fork.

524A STEERING STEM (E-13)



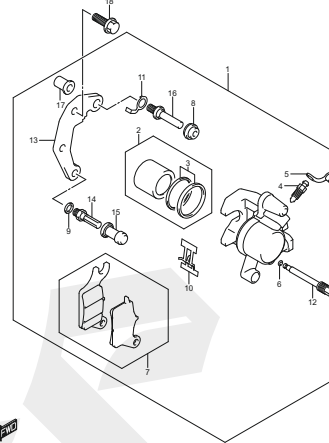
UB125NMM3_P74_524A
STEERING STEM

530A FRONT WHEEL (E-14)



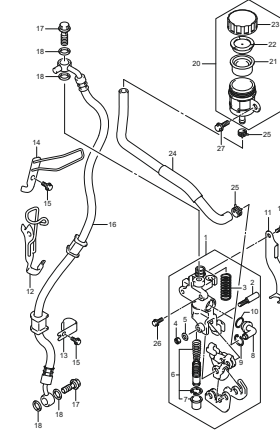
UB125NMM3_P74_530A
FRONT WHEEL

535A FRONT CALIPER (E-15)



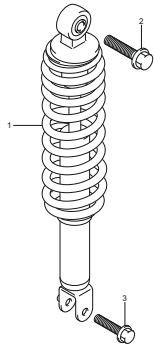
UB125NMM3_P74_535A
FRONT CALIPER

537A FRONT MASTER CYLINDER (E-16)



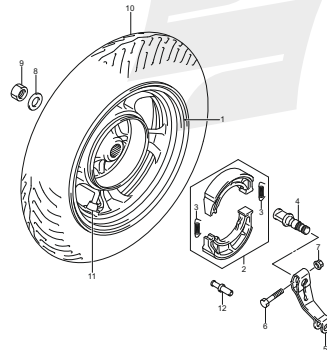
UB125NMM3_P74_537A
FRONT MASTER CYLINDER

545A REAR SHOCK ABSORBER (F-2)



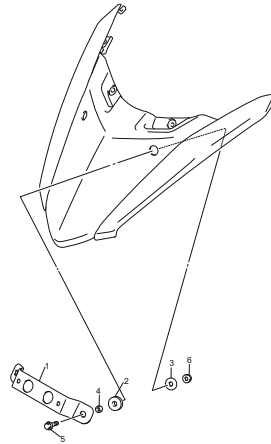
UB125NMM3_P74_545A
REAR SHOCK ABSORBER

550A REAR WHEEL (F-3)



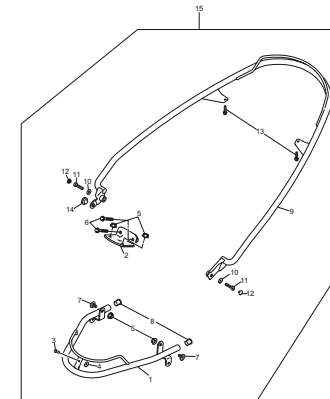
UB125NMM3_P74_550A
REAR WHEEL

970A FRONT LICENSE PLATE SET (F-4)



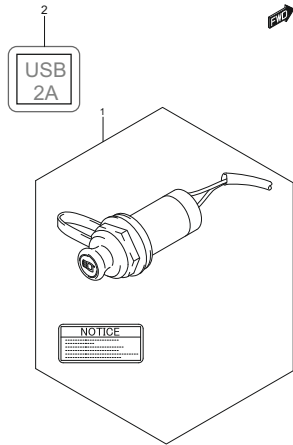
UB125NMM3_P74_970A
FRONT LICENSE PLATE SET

970B OPTIONAL (ACCESSORIES BAR SET) (F-5)



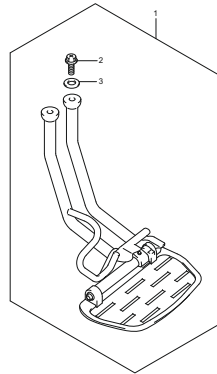
UB125NMM3_P74_970B
OPTIONAL ACCESSORIES BAR SET

970C OPTIONAL (USB PORT) (F-6)



UB125NMM3_P74_970C
OPTIONAL (USB PORT)

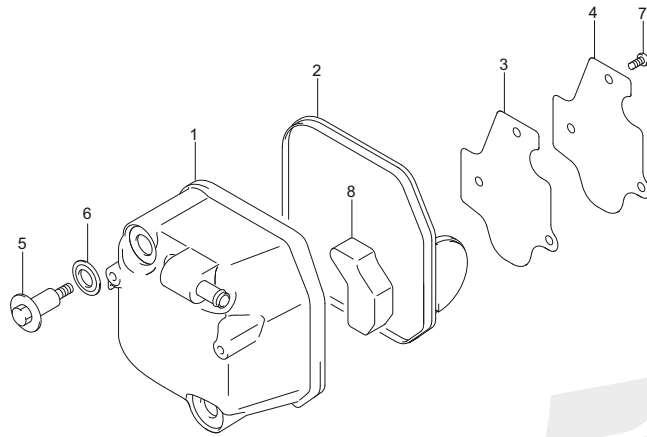
970D OPTIONAL (SIDE TUBE SET,RR FOOTREST) (F-7)



UB125NMM3_P74_970D
OPTIONAL (SIDE TUBE SET,RR FOOTREST)

102A

2



102A (B-2) CYLINDER HEAD COVER

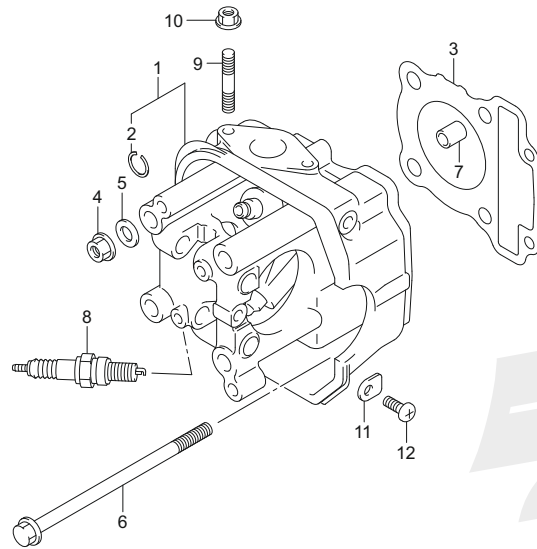
REF NO.	PART NO.	DESCRIPTION	QTY	REMARKS
1	11170-02L10-000	COVER,CYLINDER HEAD	1	
2	11173-02L00-000	GASKET,CYL HEAD COVER	1	
3	11176-02L00-000	PLATE,BREATHER	1	
4	11177-08K00-000	GASKET,BREATHER PLATE	1	
5	09119-06138-000	BOLT,CYL HEAD COVER	2	
6	11191-27E70-000	WASHER,HEAD COVER BOLT (10.6X25.5X1.6)	2	
7	02112-0510A-000	SCREW	3	
8	11186-02L00-000	SEPARATOR,OIL BREATHER	1	



103A

103A (B-3) CYLINDER HEAD

REF NO.	PART NO.	DESCRIPTION	QTY	REMARKS
1	11110-02L00-000	HEAD,CYLINDER	1	
2	09381-10004-000	.SNAP RING (10X85)	2	
3	11141-35J00-000	GASKET,CYLINDER HEAD	1	
4	08316-1008A-000	NUT	4	
5	09160-08164-000	WASHER (8.5X18X2.3)	4	
6	09103-06501-000	BOLT (6X100)	2	
7	09206-10016-000	PIN (8.2X10X13)	2	
8	09482-00645-000	SPARK PLUG (MR7E-9)	1	
9	01421-0625A-000	BOLT,STUD	2	
10	08316-1006A-000	NUT	2	
11	24741-20A10-000	RETAINER,SHIFT CAM R BEARING	1	
12	02112-0612A-000	SCREW	1	



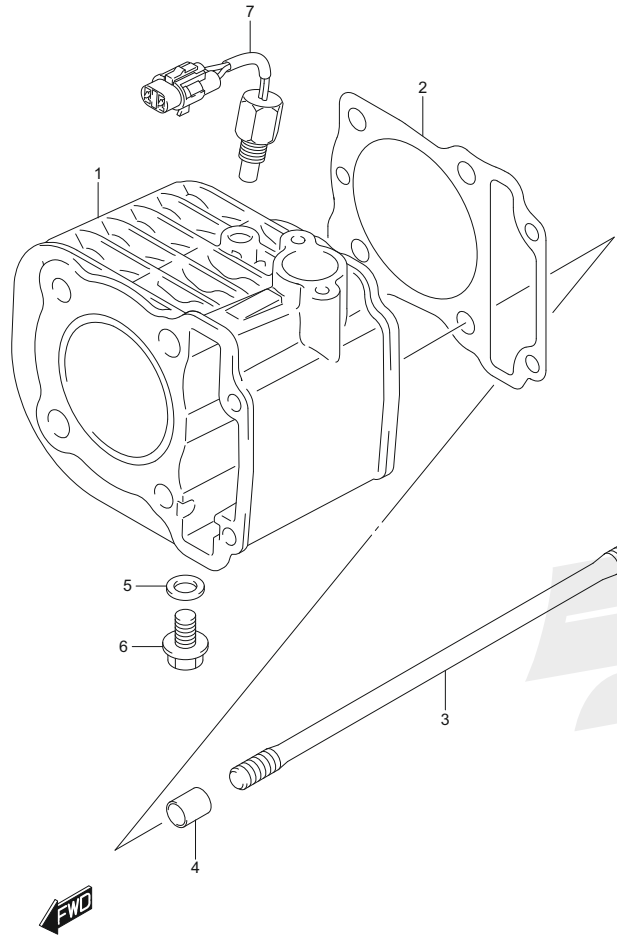
2



107A

107A (B-4) CYLINDER

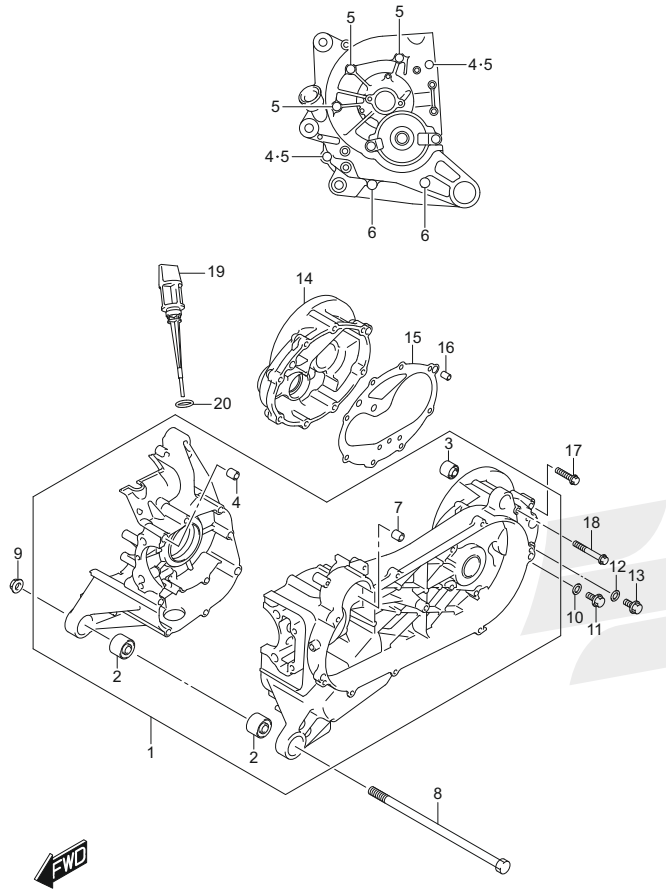
2



REF NO.	PART NO.	DESCRIPTION	QTY	REMARKS
1	11210-02L00-0F0	CYLINDER	1	
2	11241-08K00-000	GASKET,CYLINDER	1	
3	09108-08302-000	STUD BOLT (L:192)	4	
4	09206-10016-000	PIN (8.2X10X13)	2	
5	09168-08008-000	GASKET (8.2X14X1)	1	
6	01550-0812A-000	BOLT	1	
7	13640-02L00-000	SENSOR,ENGINE TEMP	1	

108A

108A (B-5) CRANKCASE



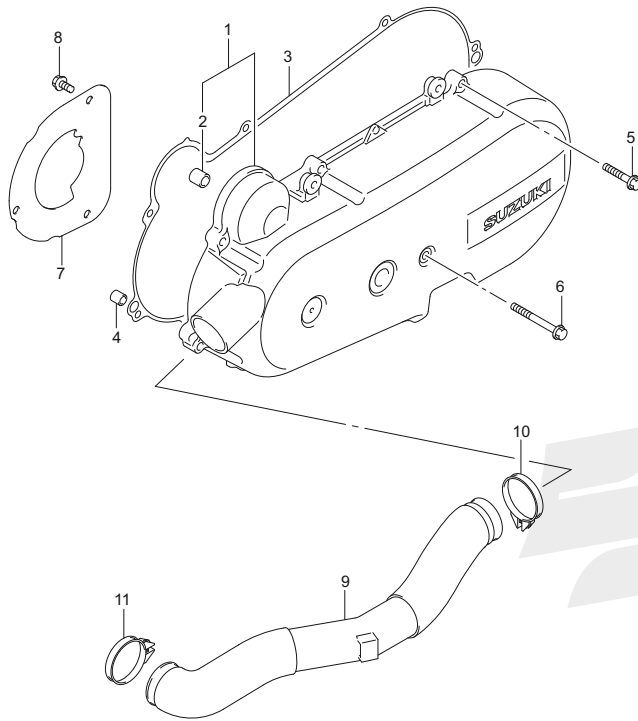
REF NO.	PART NO.	DESCRIPTION	QTY	REMARKS
1	11301-08840-000	CRANKCASE SET	1	
2	11315-39J00-000	.BUSH,ENGINE MTG	2	
3	11316-39J00-000	.BUSH,REAR SHOCK ABS	1	
4	09206-10014-000	.PIN (6.4X10X20)	2	
5	01547-0655A-000	.BOLT	5	
6	01547-0695A-000	.BOLT	2	
7	11325-09J00-000	.BUSH	1	
8	11611-39J00-000	BOLT,ENG MTG (L:240)	1	
9	08316-1010A-000	NUT	1	
10	09168-08008-000	GASKET (8.2X14X1)	1	
11	01550-0812A-000	BOLT	1	
12	09168-08008-000	GASKET (8.2X14X1)	1	
13	01550-0812A-000	BOLT	1	
14	11430-39840-000	COVER SET, GEAR BOX	1	
15	11484-39J30-000	GASKET,GEAR BOX COVER	1	
16	09206-08008-000	PIN (6.3X8X12)	2	
17	01547-0630A-000	BOLT	7	
18	01547-0655A-000	BOLT	1	
19	11971-09J00-000	GAUGE,OIL LEVEL	1	
20	09280-17003-000	O RING (D:3.1,ID:16.8)	1	

2

112A

112A (B-6) CRANKCASE COVER

2

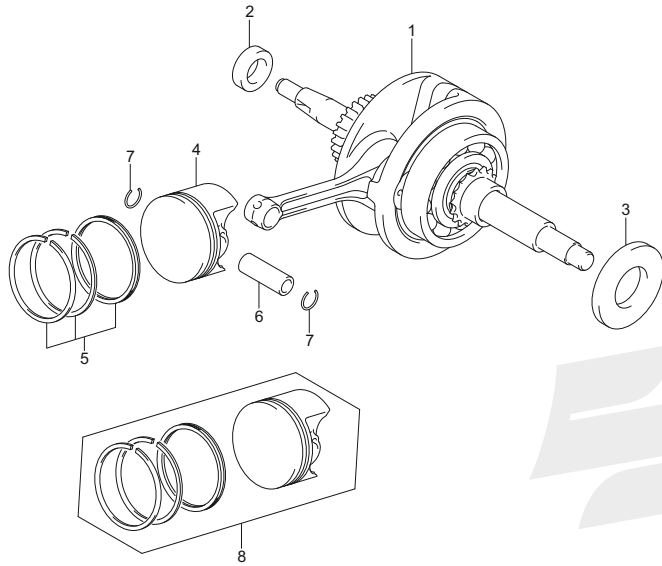


REF NO.	PART NO.	DESCRIPTION	QTY	REMARKS
1	11340-08K40-000	COVER,CLUTCH	1	
2	11325-09J00-000	.BUSH	1	
3	11482-08K00-000	GASKET,CLUTCH COVER	1	
4	09206-08008-000	PIN (6.3X8X12)	2	
5	01547-0625A-000	BOLT	8	
6	01547-0690A-000	BOLT	1	
7	11346-08K00-000	PLATE,CLUTCH COVER AIR INTAKE	1	
8	01547-0612A-000	BOLT	3	
9	11383-39J10-000	DUCT,BELT COOLING INLET	1	
10	09402-46209-000	CLAMP,BELT COOLING DUCT	1	
11	09402-42001-000	CLAMP	1	

120A

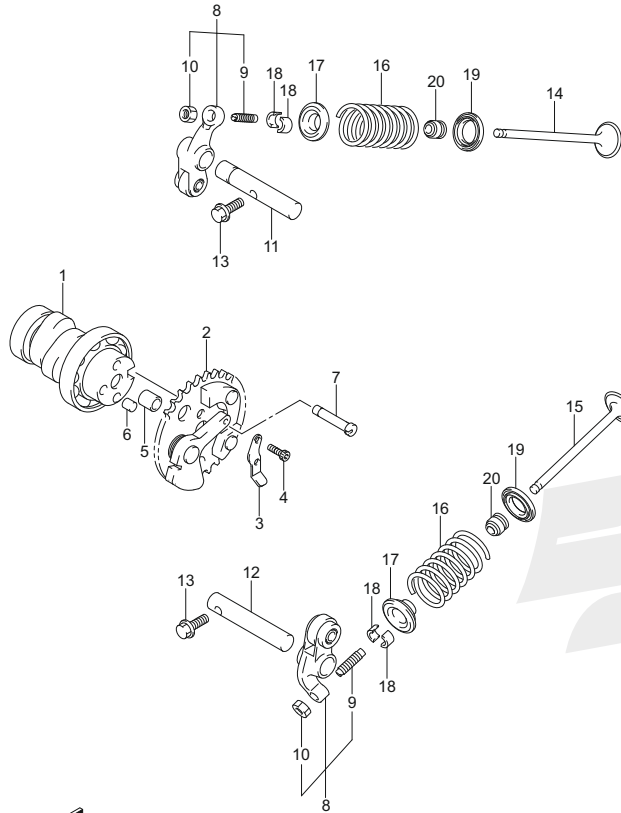
120A (B-7) CRANKSHAFT

REF NO.	PART NO.	DESCRIPTION	QTY	REMARKS
1	12200-08K51-000	CRANKSHAFT ASSY	1	
2	09283-16L03-000	SEAL,CRANKSHAFT OIL RH (20.5X 32X5)	1	
3	12227-08K00-000	SEAL,CRANKSHAFT OIL LH	1	
4	12111-08K00-0F0	PISTON	1	
5	12140-08K50-000	RING SET,PISTON	1	
6	12151-43J00-000	PIN,PISTON	1	
7	09381-12001-000	SNAP RING	2	
8	12100-08K50-050	PISTON SET,OS 0.5 (OS:0.5)	1	



126A

2



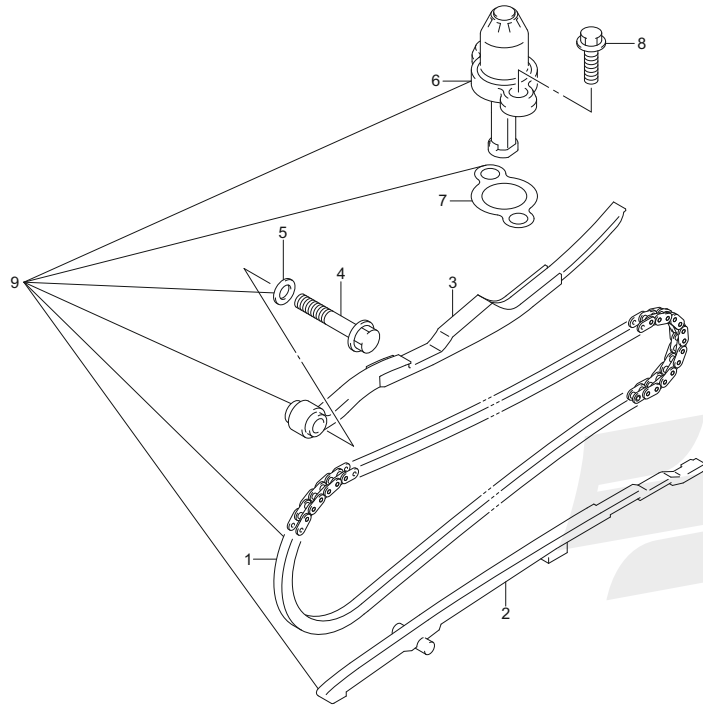
UB125NMM3_P74_126A
CAMSHAFT/VALVE

126A (B-8) CAMSHAFT/VALVE

REF NO.	PART NO.	DESCRIPTION	QTY	REMARKS
1	12710-02L00-000	CAMSHAFT	1	
2	12740-08K00-000	SPROCKET,CAMSHAFT (NT:34)	1	
3	12714-34J10-000	WASHER,SPROCKET (NT:26)	1	
4	09106-05028-000	BOLT (5X15)	2	
5	09206-08008-000	PIN (6.3X8X12)	1	
6	09261-05005-000	PIN (5X8)	1	
7	12951-08K00-000	CAM,DECOMPRESSION	1	
8	12840-43J10-000	ARM ASSY,VALVE ROCKER	2	
9	12842-34J00-000	.SCREW,TAPPET ADJUSTING (NT:24)	2	
10	12843-27A70-000	.NUT,TAPPET ADJUSTING	2	
11	12861-35J00-000	SHAFT,VALVE ROCKER ARM INTAKE	1	INTAKE
12	12871-35J00-000	SHAFT,VALVE ROCKER ARM EXHAUST	1	EXHAUST
13	01550-0512A-000	BOLT	2	
14	12911-43J00-000	VALVE,INTAKE	1	
15	12912-02L00-000	VALVE,EXHAUST	1	
16	12921-43J00-000	SPRING,VALVE	2	
17	12931-09G20-000	RETAINER,VALVE SPRING	2	
18	12932-09G10-000	COTTER,VALVE (NT:23)	4	
19	12933-09G00-000	SEAT,VALVE SPRING	2	
20	09289-05019-000	OIL SEAL (4X10X8)	2	

127A

127A (B-9) CAM CHAIN



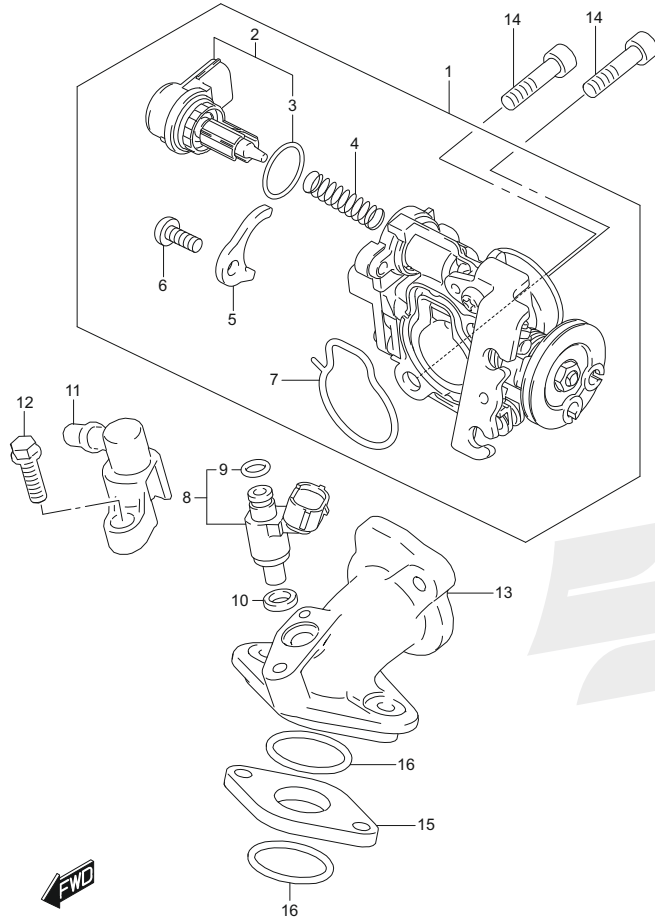
REF NO.	PART NO.	DESCRIPTION	QTY	REMARKS
1	12760-08K10-000	CHAIN,CAMSHAFT DRIVE	1	
2	12771-08K00-000	GUIDE,CAM CHAIN	1	
3	12811-08K10-000	TENSIONER,CAM CHAIN	1	
4	09103-06247-000	BOLT (6X32)	1	
5	09168-06004-000	GASKET (6.2X11X1.2)	1	
6	12830-42K00-000	ADJUSTER ASSY,TENSIONER	1	
7	12837-39J20-000	GASKET,TENSIONER ADJUSTER	1	
8	01547-0620A-000	BOLT	2	
9	12800-42810-000	ENGINE TIMING KIT	1	

2



140A

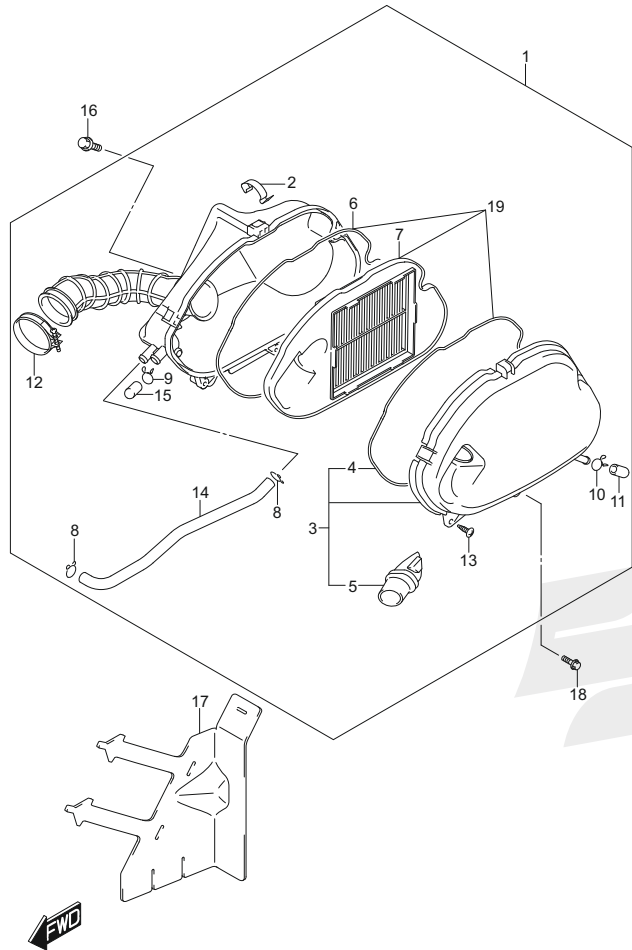
2



140A (B-10) THROTTLE BODY

REF NO.	PART NO.	DESCRIPTION	QTY	REMARKS
1	13400-02L10-000	BODY ASSY,THROTTLE	1	
2	18117-10K00-000	.STEPPING MOTOR	1	
3	13438-09JA0-000	..O-RING	1	
4	13417-02L00-000	.SPRING	1	
5	13421-02L00-000	.PLATE	1	
6	13602-02L00-000	.SCREW	2	
7	13295-02L00-000	.O RING	2	
8	15710-02L00-000	INJECTOR ASSY,FUEL	1	
9	15716-42J00-000	.O RING	1	
10	15722-02L00-000	SEAL	1	
11	15830-02L00-000	JOINT,FUEL HOSE	1	
12	01547-0620A-000	BOLT	1	
13	13111-02L00-000	PIPE,INTAKE	1	
14	07130-0625A-000	BOLT	2	
15	13128-08K00-000	INSULATOR,INTAKE PIPE	1	
16	09280-26013-000	O-RING (D:2.4, ID:25.7)	2	

155A



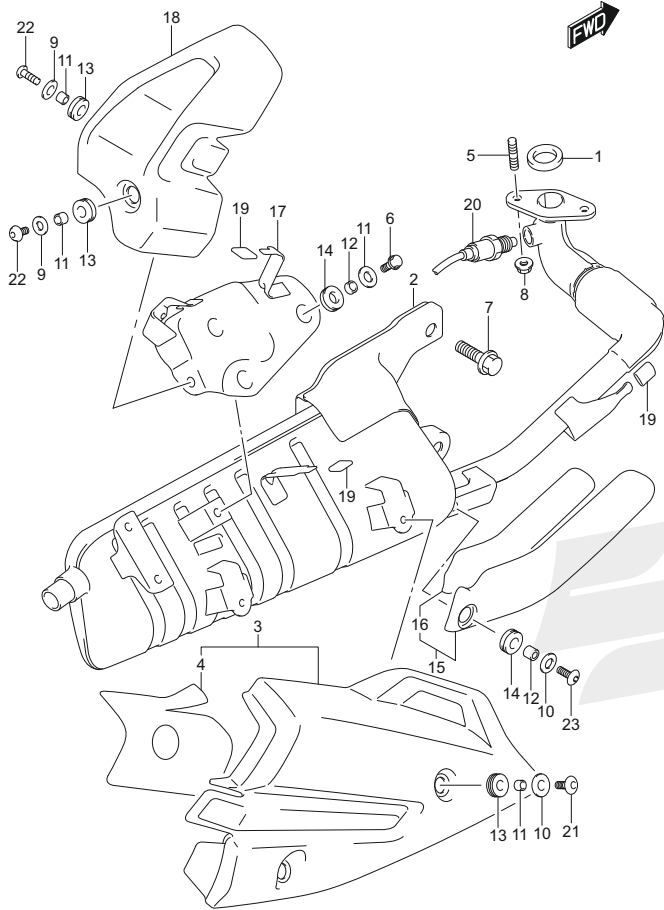
155A (B-11) AIR CLEANER

REF NO.	PART NO.	DESCRIPTION	QTY	REMARKS
1	13700-02L10-000	CLEANER ASSY,AIR	1	
2	13755-54G00-000	.CLIP,AIR CLEANER	2	
3	13740-08K00-000	.CAP,AIR CLEANER	1	
4	13746-08K00-000	.GASKET	1	
5	13891-08K00-000	.TUBE,INLET	1	
6	13746-08K00-000	.GASKET	1	
7	13780-02L10-000	.FILTER ASSY,AIR	1	
8	09401-12418-000	.CLIP	2	
9	09401-14101-000	.CLIP (ID:14.5)	1	
10	13825-08K00-000	.CLIP	2	
11	13871-41H00-000	.PLUG,DRAIN	2	
12	13856-02L10-000	.CLAMP	1	
13	03541-0520A-000	.SCREW	4	
14	13850-02L10-000	.TUBE,BRETHER	1	
15	13859-41B10-000	.PLUG	1	
16	63115-08K00-000	BOLT,REAR FENDER LOWER	1	
17	13738-44K00-000	GUARD,DUST INTAKE	1	
18	09116-06103-000	BOLT (6X30)	2	
19	13700-02810-000	AIR FILTER KIT	1	



163A

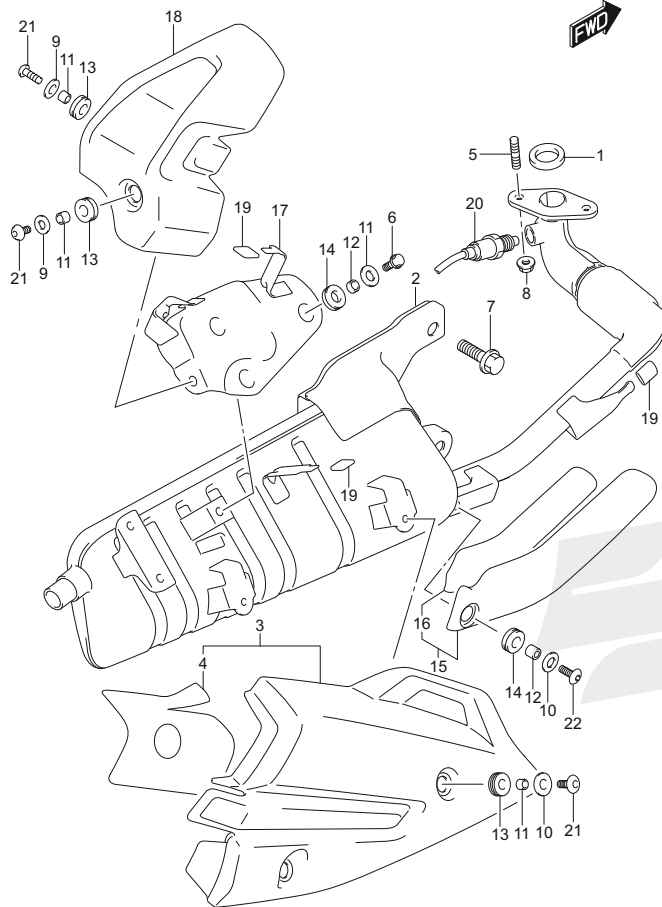
2



163A (B-12) MUFFLER (UB125NM)

REF NO.	PART NO.	DESCRIPTION	QTY	REMARKS
1	14181-30A30-000	GASKET,EXH PIPE	1	
2	14310-44K20-000	BODY,MUFFLER	1	
3	14780-44K10-000	COVER,MUFFLER	1	
4	14782-44K00-000	.SHIELD,MUF COVER	1	
5	01421-0616A-000	BOLT,STUD	2	
6	01550-0616A-000	BOLT	3	
7	01550-1040A-000	BOLT	2	
8	08316-1006A-000	NUT	2	
9	09160-06028-000	WASHER (6.5X18X1.0)	5	
10	09160-06151-000	WASHER (6.5X18X1)	3	
11	09180-06306-000	SPACER (6.5X9X5)	4	
12	09180-06343-000	SPACER	4	
13	09320-08L02-000	CUSHION	4	
14	09320-08082-000	CUSHION	4	
15	14180-44K10-000	COVER,EXH PIPE	1	
16	14182-44K00-000	.SHIELD,EXH PIPE COVER	1	
17	14760-44K01-000	STAY,MUF RR COV	1	
18	14791-44K20-000	COVER,MUF TAIL	1	
19	14795-10FA0-000	GROMMET	3	
20	18213-12K10-000	SENSOR,OXYGEN	1	
21	09139-06217-000	SCREW,MUF COVER (6X16)	2	
22	09139-06198-000	SCREW (6X16)	2	
23	01550-0616B-000	BOLT	1	

163B



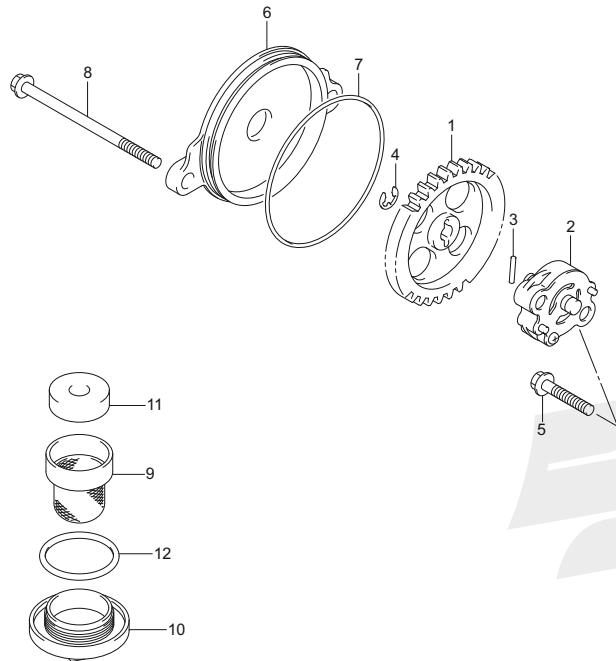
163B (B-13) MUFFLER (UB125NMX)

REF NO.	PART NO.	DESCRIPTION	QTY	REMARKS
1	14181-30A30-000	GASKET,EXH PIPE	1	
2	14310-44K10-000	BODY,MUFFLER	1	
3	14780-44K10-000	COVER,MUFFLER	1	
4	14782-44K00-000	.SHIELD,MUF COVER	1	
5	01421-0616A-000	BOLT,STUD	2	
6	01550-0616A-000	BOLT	3	
7	01550-1040A-000	BOLT	2	
8	08316-1006A-000	NUT	2	
9	09160-06028-000	WASHER (6.5X18X1.0)	3	
10	09160-06151-000	WASHER (6.5X18X1)	5	
11	09180-06306-000	SPACER (6.5X9X5)	4	
12	09180-06343-000	SPACER	4	
13	09320-08L02-000	CUSHION	4	
14	09320-08082-000	CUSHION	4	
15	14180-44K00-000	COVER,EXH PIPE	1	
16	14182-44K00-000	.SHIELD,EXH PIPE COVER	1	
17	14760-44K01-000	STAY,MUF RR COV	1	
18	14791-44K30-000	COVER,MUF TAIL	1	
19	14795-10FA0-000	GROMMET	3	
20	18213-12K10-000	SENSOR,OXYGEN	1	
21	09139-06217-000	SCREW,MUF COVER (6X16)	5	
22	01550-0616B-000	BOLT	1	

2

170A

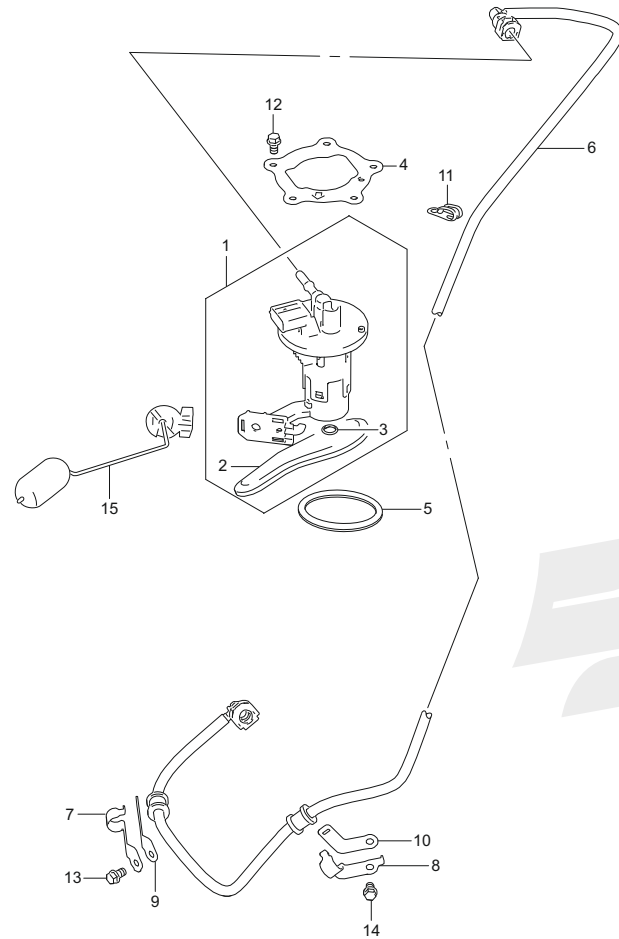
2



170A (B-14) OIL PUMP

REF NO.	PART NO.	DESCRIPTION	QTY	REMARKS
1	16331-08K00-000	GEAR,OIL PUMP DRIVEN (NT:43)	1	
2	16400-08K00-000	PUMP ASSY,ENG OIL	1	
3	16421-20E00-000	PIN	1	
4	08332-11059-000	E RING	1	
5	01547-0625A-000	BOLT	2	
6	16422-09J00-000	COVER,OIL PUMP	1	
7	16423-09J00-000	O-RING,OIL PUMP COVER	1	
8	01547-0680A-000	BOLT	2	
9	16520-09J00-000	STRAINER,ENG OIL	1	
10	16523-09J00-000	CAP,OIL STRAINER	1	
11	16526-09J00-000	PLUG,OIL STRAINER	1	
12	16525-09J00-000	O-RING	1	

172A



172A (B-15) FUEL PUMP

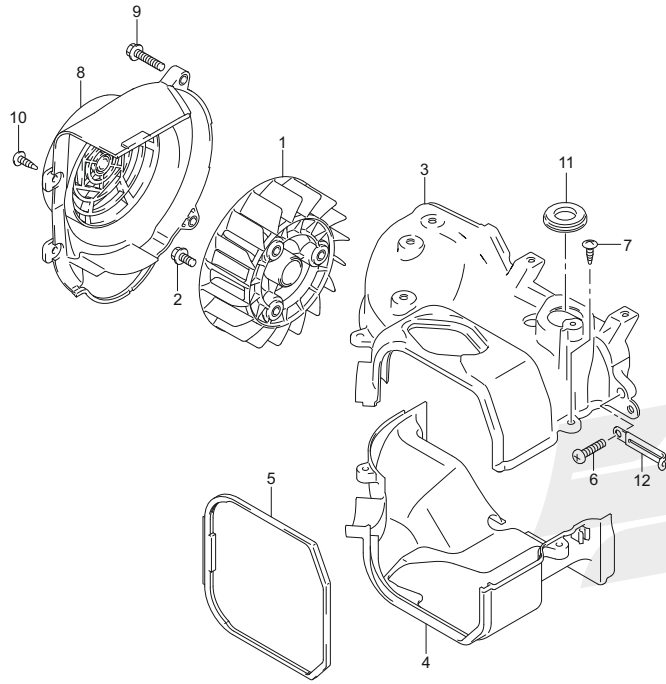
REF NO.	PART NO.	DESCRIPTION	QTY	REMARKS
1	15100-02L10-000	PUMP ASSY, FUEL	1	
2	15420-02L10-000	.FILTER	1	
3	15424-09JB0-000	.O RING	1	
4	15121-02L00-000	PLATE,FUEL PUMP	1	
5	15201-02L00-000	O-RING,FUEL PUMP	1	
6	15810-02L10-000	HOSE,FUEL	1	
7	15891-02L00-000	CLAMP,FUEL HOSE FR	1	
8	15892-02L00-000	CLAMP,FUEL HOSE RR	1	
9	15893-02L00-000	CLAMP,FUEL HOSE RR NO.2	1	
10	15894-02L00-000	CLAMP,FUEL HOSE RR NO.2	1	
11	09404-06429-000	CLAMP (L:45)	1	
12	01547-0610A-000	BOLT	5	
13	01547-0610A-000	BOLT	1	
14	01547-0610A-000	BOLT	1	
15	34810-44K00-000	GAUGE ASSY,FUEL LEVEL SENDER	1	

2

181A

181A (B-16) COOLING FAN

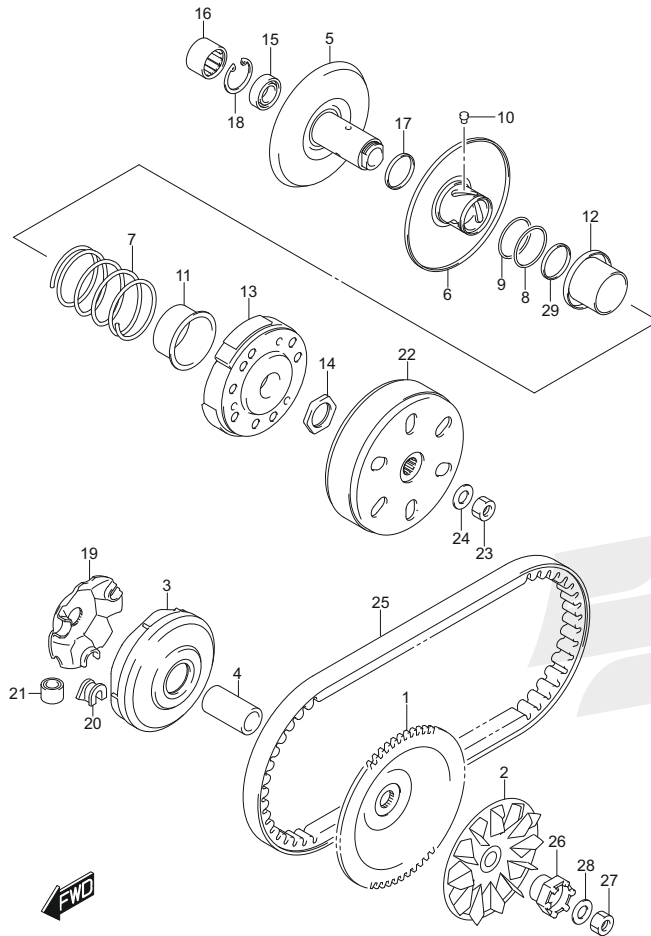
2



REF NO.	PART NO.	DESCRIPTION	QTY	REMARKS
1	17110-09J50-000	FAN,COOLING	1	
2	01550-0612A-000	BOLT	3	
3	17120-02L00-000	COWLING,CYLINDER UPPER	1	
4	17122-02L00-000	COWLING,CYLINDER LOWER	1	
5	17123-08K00-000	MOLD,CYLINDER COWLING	1	
6	01547-0625A-000	BOLT	1	
7	03541-0516A-000	SCREW	2	
8	17130-02L00-000	COWLING,FAN	1	
9	01547-0625A-000	BOLT	2	
10	03541-0516A-000	SCREW	2	
11	17124-02L00-000	MOLD,TENSIONER ADJUSTER	1	
12	09404-06429-000	CLAMP (L:45)	1	



210A

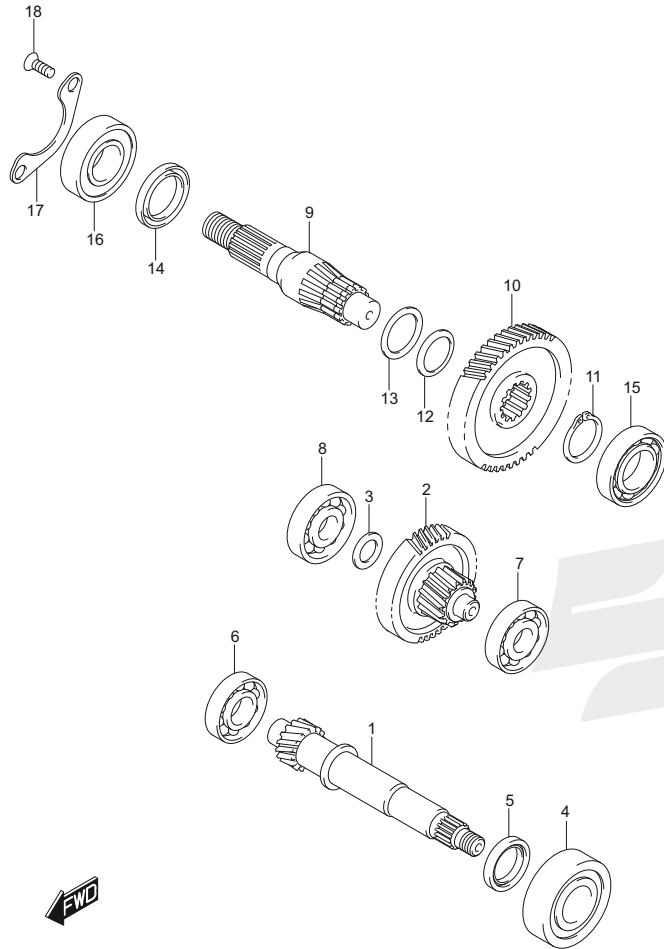


210A (C-2) TRANSMISSION (1)

REF NO.	PART NO.	DESCRIPTION	QTY	REMARKS
1	21111-08K00-000	FACE, FIXED DRIVE	1	
2	21113-39J10-000	FAN, FIXED DRIVE	1	
3	21120-33G70-000	FACE, MOVABLE DRIVE	1	
4	21125-33G00-000	SPACER, MOVABLE DRIVE	1	
5	21210-08K00-000	FACE, FIXED DRIVEN	1	
6	21240-08K01-000	FACE, MOVABLE DRIVEN	1	
7	21243-08K00-000	SPRING, MOVABLE DRIVEN	1	
8	21245-09J00-000	O-RING, MOVABLE DRIVEN	1	
9	21246-08K00-000	O-RING, MOVABLE DRIVEN	1	
10	21248-08K00-000	PIN, MOVABLE DRIVEN	3	
11	21472-08K10-000	SHEET, CLUTCH DRIVE PLATE	1	
12	21471-08K00-000	SHEET, MOVABLE DRIVEN	1	
13	21501-08K00-000	CLUTCH ASSY, SHOE	1	
14	09140-12055-000	NUT	1	
15	21215-08K10-000	BEARING, FIXED DRIVEN, L	1	
16	21214-08K00-000	BEARING, FIXED DRIVEN, R	1	
17	21247-08K00-000	SEAL, MOVABLE DRIVEN OIL	1	
18	21216-08K00-000	CIRCLIP, FIXED DRIVE	1	
19	21431-33G00-000	PLATE, MOVABLE DRIVE	1	
20	21481-08K00-000	DAMPER, MOVABLE DRIVE PLATE	3	
21	21650-08K10-000	ROLLER, MOVABLE DRIVE	6	
22	21220-08K00-000	HOUSING, CLUTCH	1	
23	09140-12055-000	NUT	1	
24	08211-12223-000	WASHER	1	
25	27601-08K10-000	V-BELT, DRIVE	1	
26	26231-08K00-000	STARTER, KICK, RH	1	
27	21518-09J00-000	NUT, SHOE CLUTCH	1	
28	08211-12223-000	WASHER	1	
29	21247-08K00-000	SEAL, MOVABLE DRIVEN OIL	1	

211A

2

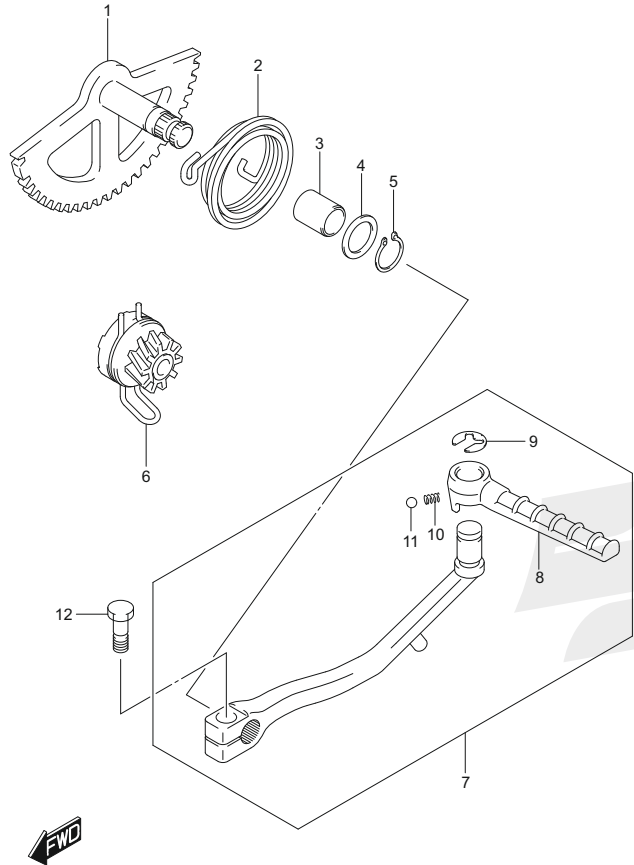


211A (C-3) TRANSMISSION (2)

REF NO.	PART NO.	DESCRIPTION	QTY	REMARKS
1	24131-33G90-000	SHAFT,DRIVE (NT:17)	1	
2	24150-39J40-000	SHAFT,IDLE (NT:13/42)	1	
3	09181-12167-000	SHIM (12X20X1)	1	
4	09262-20171-000	BEARING,DRIVE SHAFT LH (20X47X14)	1	
5	09283-20069-000	SEAL,DRIVE SHAFT OIL (19X28X5)	1	
6	08110-6202A-000	BEARING (15X35X11)	1	
7	09262-12034-000	BEARING,IDLE SHAFT LH (12X32X10)	1	
8	09262-12035-000	BEARING,IDLE SHAFT RH (12X28X8)	1	
9	24141-08K10-000	SHAFT,REAR AXLE	1	
10	24371-39J10-000	GEAR,FINAL DRIVEN (NT:45)	1	
11	08331-31249-000	CIRCLIP	1	
12	24142-08K10-000	WASHER,FINAL DRIVEN GEAR	1	
13	09181-25051-000	SHIM (T:0.60)	1	
14	09283-29007-000	SEAL,AXLE SHAFT OIL	1	
15	08110-62030-000	BEARING	1	
16	09262-22041-000	BEARING (22X50X14)	1	
17	24751-09J00-000	RETAINER,DRIVE SHAFT BEARING	1	
18	02122-0616A-000	SCREW	2	

240A

240A (C-4) KICK STARTER

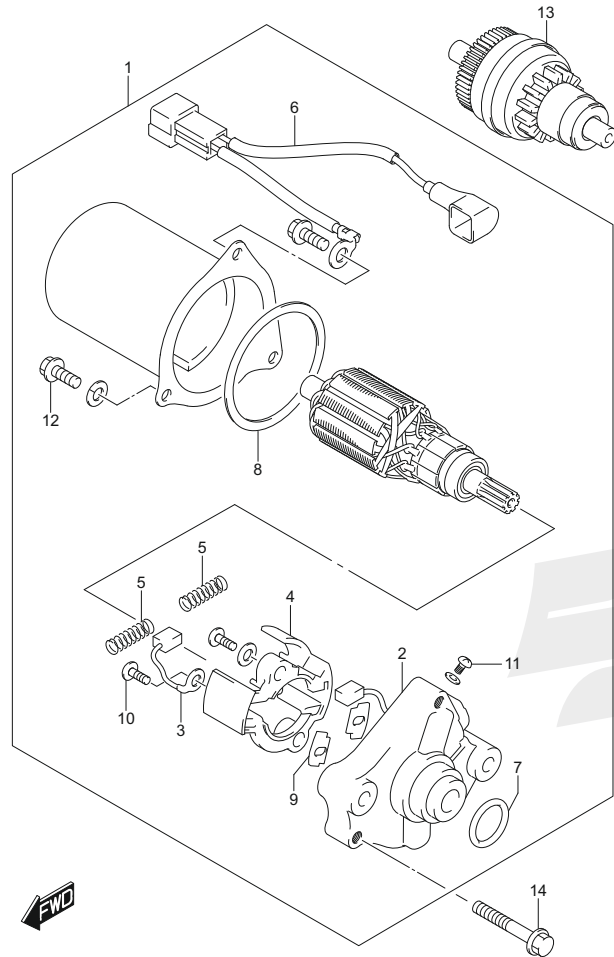


REF NO.	PART NO.	DESCRIPTION	QTY	REMARKS
1	26210-08K20-000	SHAFT,KICK STARTER	1	
2	26212-46G00-000	SPRING,KICK STARTER SHAFT	1	
3	26213-39J00-000	BUSH,KICK SHAFT	1	
4	09160-14053-000	WASHER (14.5X22X0.8)	1	
5	08331-31149-000	CIRCLIP	1	
6	26200-39J00-000	GEAR ASSY,KICK STARTER DRIVEN (NT:10)	1	
7	26300-08K00-000	LEVER ASSY,KICK STARTER	1	
8	26351-08K00-000	.PEDAL,KICK STARTER	1	
9	09383-08002-000	.E RING	1	
10	09440-05005-000	.SPRING	1	
11	06112-07004-000	.BALL	1	
12	26314-33G30-000	BOLT,KICK STARTER LEVER	1	



301A

2



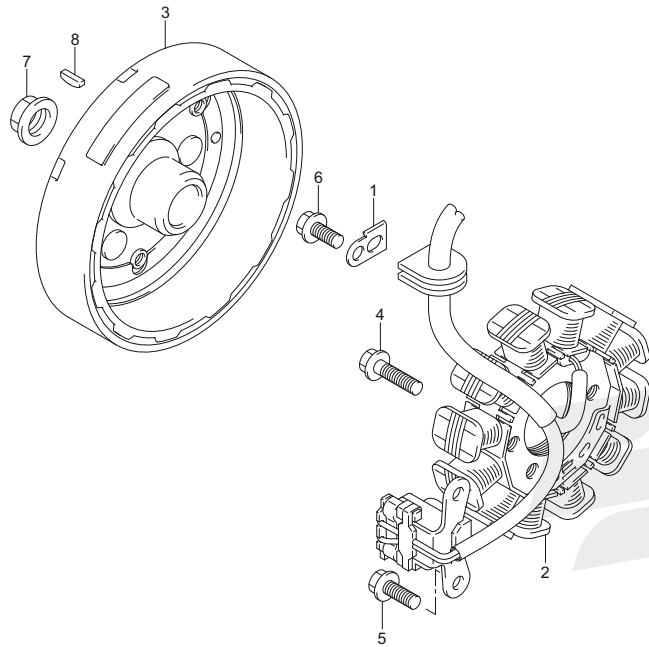
301A (C-5) STARTING MOTOR

REF NO.	PART NO.	DESCRIPTION	QTY	REMARKS
1	31100-08K20-000	MOTOR ASSY,STARTING	1	
2	31130-08K20-000	.HOLDER ASSY,STARTING	1	
3	31131-08K20-000	.BRUSH,UNIT	2	
4	31132-08K20-000	.HOLDER,BRUSH	1	
5	31135-08K20-000	.SPRING	2	
6	31142-08K10-000	.WIRE,STARTER MOTOR	1	
7	31156-32G00-000	.O RING	1	
8	31157-08K20-000	.GASKET	1	
9	31173-08K20-000	.INSULATOR,BRUSH	1	
10	02112-34063-000	.SCREW	2	
11	02112-34088-000	.SCREW	1	
12	02112-3512A-000	.SCREW	3	
13	31370-32G00-000	PINION ASSY,STARTING MOTOR	1	
14	01547-0630A-000	BOLT	2	

303A

303A (C-6) MAGNETO

REF NO.	PART NO.	DESCRIPTION	QTY	REMARKS
1	31497-39J00-000	CLAMP,MAGNETO LEAD	1	
2	32101-02L00-000	STATOR ASSY	1	
3	32102-02L00-000	ROTOR ASSY	1	
4	07130-0625A-000	BOLT	2	
5	07130-0612A-000	BOLT	2	
6	07130-0612A-000	BOLT	1	
7	08316-1010A-000	NUT	1	
8	08341-31039-000	KEY	1	



2

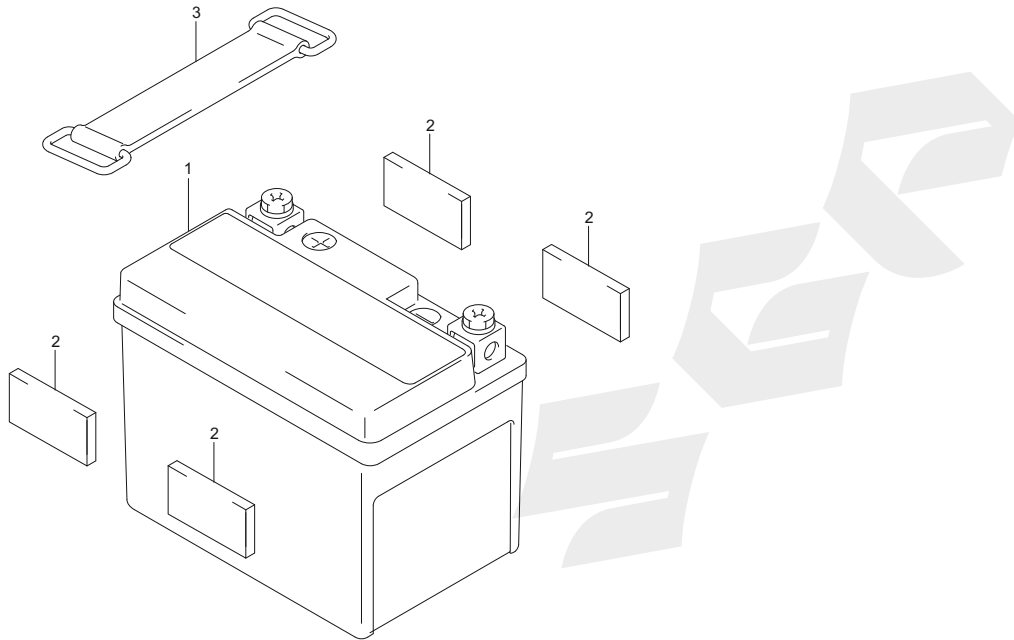


310A

310A (C-7) BATTERY

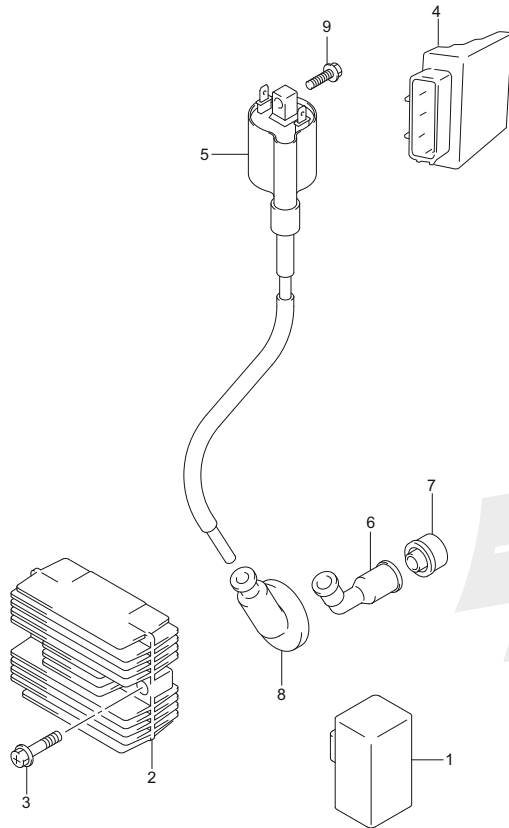
2

REF NO.	PART NO.	DESCRIPTION	QTY	REMARKS
1-1	33610-39J00-000	BATTERY ASSY (ETZ-4,12V3AH)	1	EXIDE (NON-SERVICEABLE)
1-2	33610-39J10-000	BATTERY ASSY (ATZ4L,12V3AH)	1	AMCO (NON-SERVICEABLE)
2	33652-39J00-000	PROTECTOR,BATTERY (20X40X3)	4	
3	09462-00034-000	BAND	1	



312A

312A (C-8) ELECTRICAL



REF NO.	PART NO.	DESCRIPTION	QTY	REMARKS
1	31800-23J20-000	RELAY ASSY,STARTING MOTOR	1	
2	32800-02L00-000	RECTIFIER ASSY	1	
3	02162-0625A-000	SCREW	2	
4	32920-02L30-000	CONTROL UNIT,FI	1	
5	33410-02L10-000	COIL ASSY,IGNITION	1	
6	33510-08K00-000	CAP,SPARK PLUG	1	
7	33541-08K00-000	SEAL,SPARK PLUG	1	
8	33542-08K00-000	SEAL,HIGH TENSION CORD	1	
9	01547-0620A-000	BOLT	2	



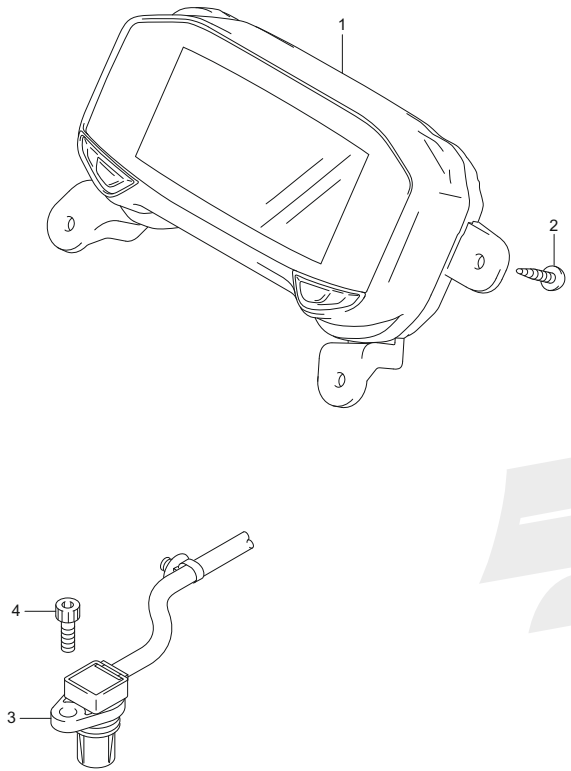
330A

330A (C-9) SPEEDOMETER

REF NO.	PART NO.	DESCRIPTION	QTY	REMARKS
1	34100-44KA0-000	SPEEDOMETER ASSY	1	
2	03541-0516A-000	SCREW	4	
3	34990-44K01-000	SENSOR,SPEED	1	
4	07130-0616A-000	BOLT	1	



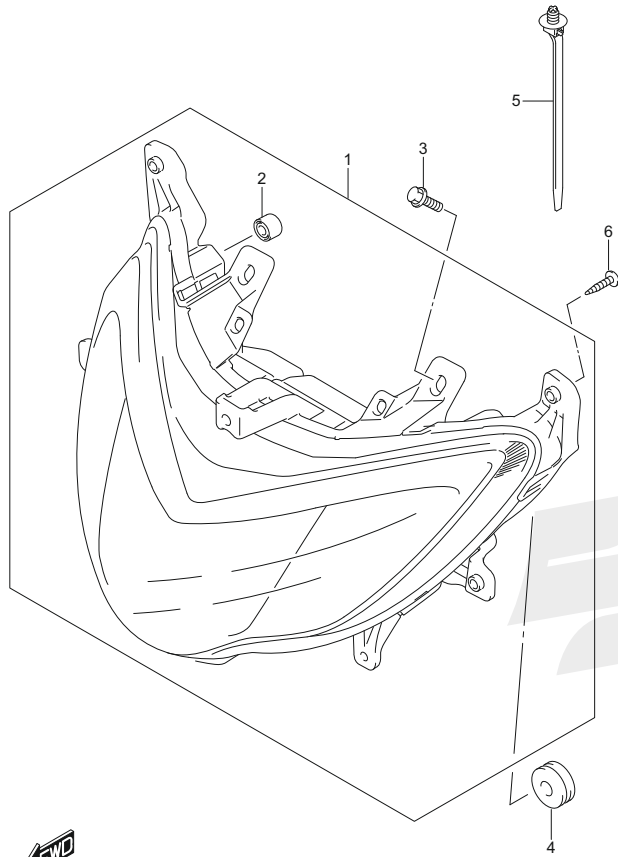
3



333A

333A (C-10) HEADLAMP

REF NO.	PART NO.	DESCRIPTION	QTY	REMARKS
1	35100-44K00-000	HEADLAMP ASSY	1	
2	35182-44K00-000	.CAP	2	
3	09111-06110-000	BOLT (6X17.8)	2	
4	09320-08018-000	CUSHION (8X26X7)	2	
5	09407-15L01-000	CLAMP (L:170)	2	
6	03541-0516A-000	SCREW	7	

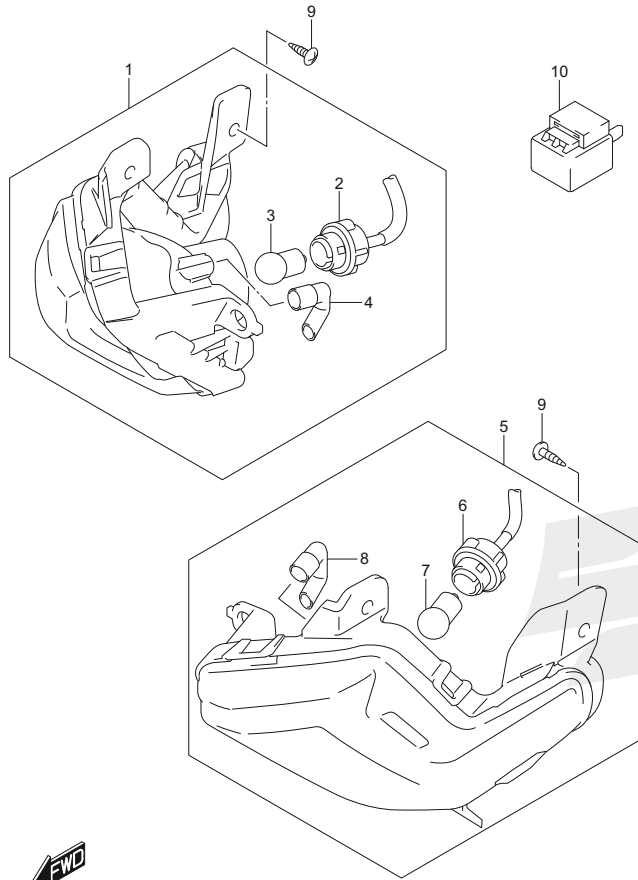


3

335A

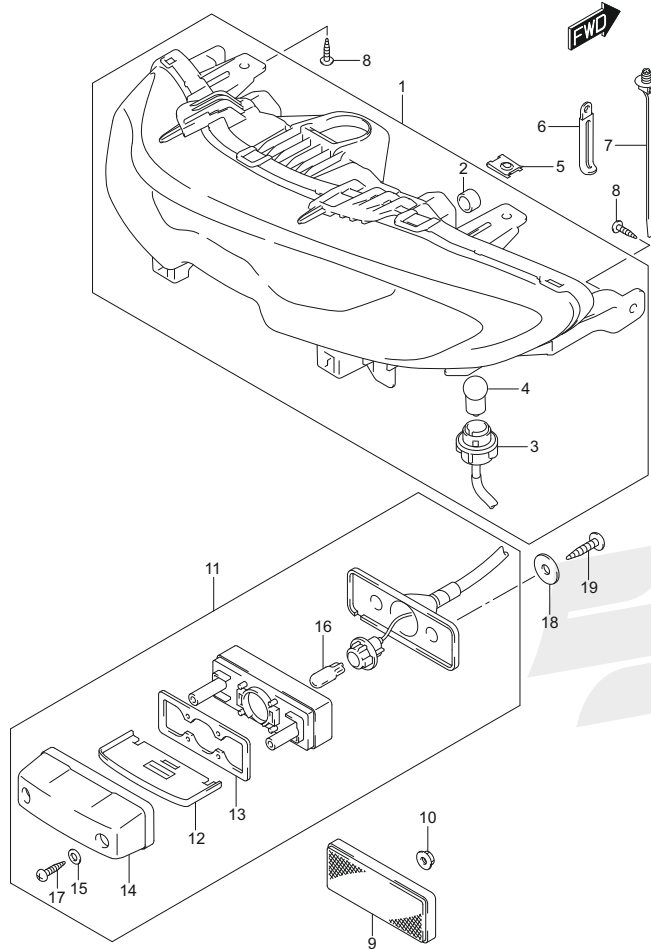
335A (C-11) FRONT TURNSIGNAL LAMP

3



REF NO.	PART NO.	DESCRIPTION	QTY	REMARKS
1	35601-44K00-000	LAMP ASSY,FRONT TURNSIGNAL RH	1	
2	35618-44K00-000	.CORD ASSY RH	1	
3	09471-12226-000	.BULB (12V10W)	1	
4	35650-44K00-000	.CAP	1	
5	35602-44K00-000	LAMP ASSY,FRONT TURNSIGNAL LH	1	
6	35638-44K00-000	.CORD ASSY LH	1	
7	09471-12226-000	.BULB (12V10W)	1	
8	35650-44K00-000	.CAP	1	
9	03541-0516A-000	SCREW	4	
10	38610-27K00-000	RELAY ASSY,TURNSIGNAL	1	

339A



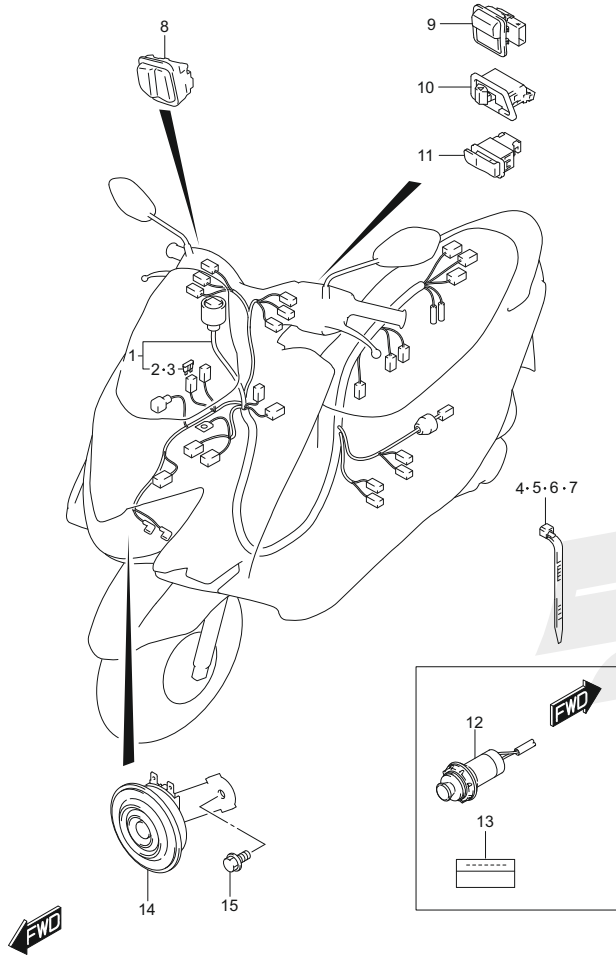
339A (C-12) REAR COMBINATION LAMP

REF NO.	PART NO.	DESCRIPTION	QTY	REMARKS
1	35710-44K00-000	LAMP ASSY,REAR COMB	1	
2	35650-44K00-000	.CAP	2	
3	35718-44K00-000	.SOCKET & CORD	1	
4	09471-12226-000	.BULB (12V10W)	2	
5	09148-05060-000	NUT	2	
6	09404-06429-000	CLAMP (L:45)	3	
7	09407-15L01-000	CLAMP (L:170)	1	
8	03541-0516A-000	SCREW	4	
9	35970-28G00-000	REFLECTOR ASSY,REAR	1	
10	08316-1005A-000	NUT	1	
11	35910-16G71-000	LAMP ASSY,LICENSE	1	
12	35912-30H01-000	.LENS	1	
13	35913-30H00-000	.GASKET	1	
14	35917-30H00-000	.COVER	1	
15	35926-30H00-000	.WASHER	2	
16	09471-12216-000	.BULB (12V5W)	1	
17	03211-04203-000	.SCREW	2	
18	09160-05501-000	WASHER (5.5X20X1.2)	2	
19	03541-0520A-000	SCREW	2	



350A

3



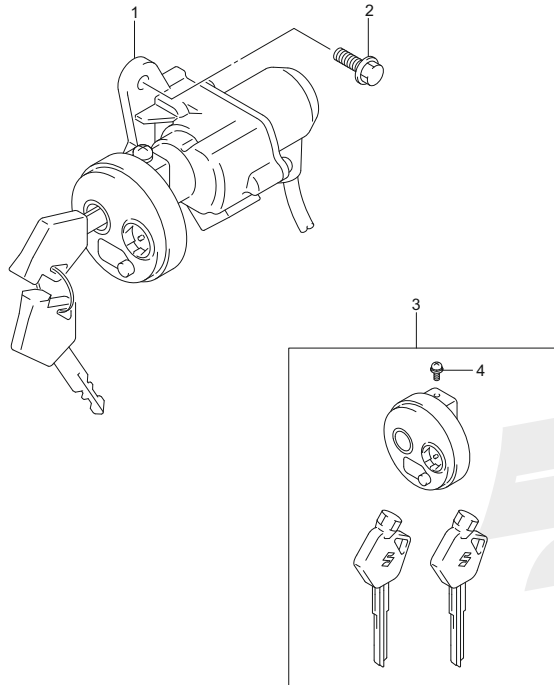
350A (C-13) WIRING HARNESS

REF NO.	PART NO.	DESCRIPTION	QTY	REMARKS
1	36610-44KF0-000	HARNESS,WIRING	1	
2	09481-15501-000	.FUSE (15A)	1	
3	09481-20501-000	.FUSE (20A)	1	
4	36990-70F20-000	CLAMP,COMB SW WIRE (L:165)	1	
5	09407-14L01-000	CLAMP,WIRING HARNESS (L:125)	3	
6	09407-15L01-000	CLAMP (L:170)	1	
7	09407-29L01-000	CLAMP (L:300)	1	
8	37330-02L10-000	SWITCH ASSY,STARTER & ENG STOP	1	
9	37420-02L10-000	SWITCH ASSY,DIMMER	1	
10	37510-33G40-000	SWITCH ASSY,URNSIGNAL	1	
11	37520-33G11-000	SWITCH ASSY,HORN	1	
12	38850-44K00-000	TERMINAL,POWER SOURCE	1	
13	38852-44K00-000	LABEL,POWER SOURCE TERMINAL	1	
14	38500-02L00-000	HORN ASSY	1	
15	01550-0612A-000	BOLT	1	

352A

352A (C-14) LOCK SET

REF NO.	PART NO.	DESCRIPTION	QTY	REMARKS
1	37100-08K10-000	LOCK ASSY,STEERING	1	
2	01550-0616A-000	BOLT	2	
3	37155-08810-000	SHUTTER SET	1	
4	02112-3510A-000	.SCREW	1	

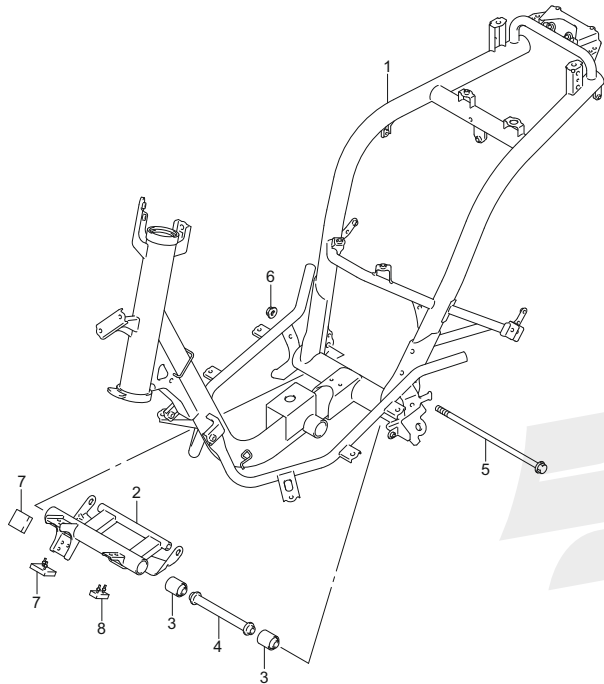


401A

401A (C-15) FRAME

REF NO.	PART NO.	DESCRIPTION	QTY	REMARKS
1	41100-44K30-000	FRAME	1	
2	41180-02L00-000	BRACKET,CRANKCASE	1	
3	41184-39J00-000	BUSH,CRANKCASE BRKT	2	
4	41170-09J10-000	SPACER,CRANKCASE BRKT	1	
5	41189-39J00-000	BOLT,CRANKCASE BRKT (10X255)	1	
6	08319-3110A-000	NUT	1	
7	41185-09J00-000	CUSHION,SWING STOP	2	
8	41185-08K00-000	CUSHION,SWING STOP	1	

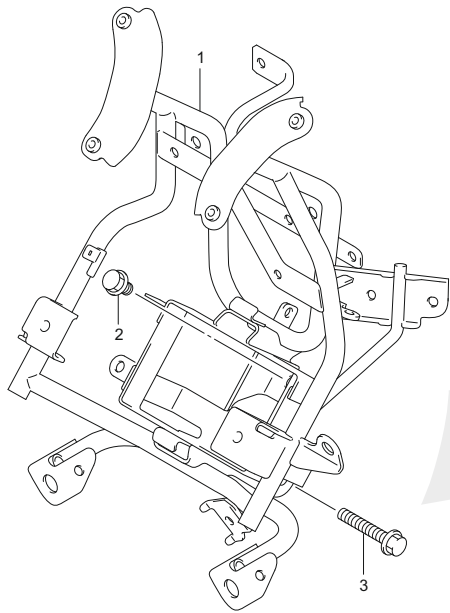
4



405A

405A (C-16) BATTERY HOLDER

REF NO.	PART NO.	DESCRIPTION	QTY	REMARKS
1	41540-44K10-000	HOLDER,BATTERY	1	
2	01550-0812A-000	BOLT	1	
3	01550-0845A-000	BOLT	1	

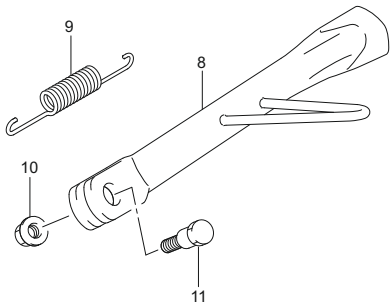
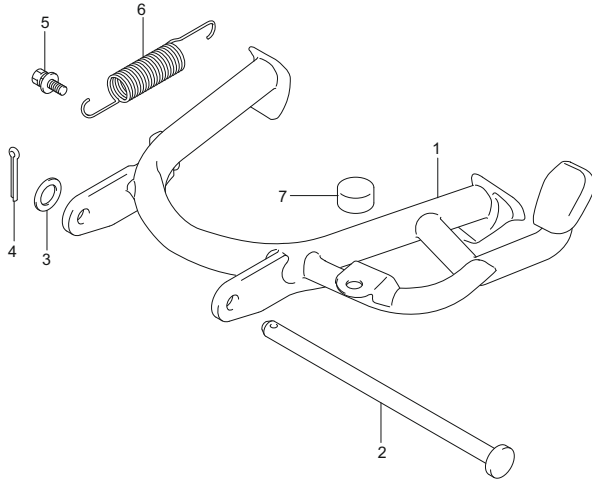


UB125NMM3_P74_405A
BATTERY HOLDER

407A

407A (D-2) STAND

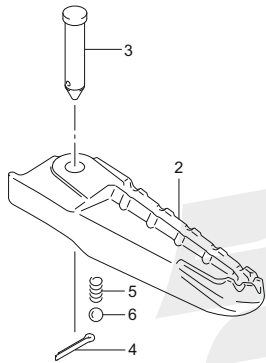
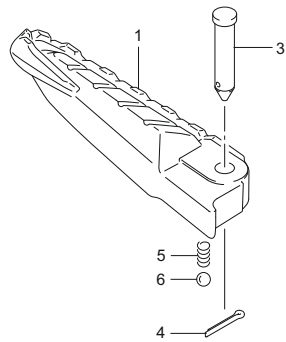
REF NO.	PART NO.	DESCRIPTION	QTY	REMARKS
1	42100-44K00-000	STAND,CENTER	1	
2	42211-39J00-000	SHAFT,CENTER STAND	1	
3	42275-25J00-000	WASHER,CTR STAND	1	
4	04111-3020A-000	PIN	1	
5	42251-32G00-000	BOLT,CENTER STAND SPRING	1	
6	09443-17026-000	SPRING	1	
7	42278-44K00-000	CUSHION	1	
8	42310-02L00-000	STAND,PROP	1	
9	42421-02L00-000	SPRING,PROP STAND INNER	1	
10	08319-3110A-000	NUT	1	
11	42341-27K00-000	BOLT,PROP STAND (10X33)	1	



415A

415A (D-3) FOOTREST

REF NO.	PART NO.	DESCRIPTION	QTY	REMARKS
1	43611-44K10-000	BAR,PILLION FOOTREST,R	1	
2	43621-44K10-000	BAR,PILLION FOOTREST,L	1	
3	43529-30H00-000	PIN,FR FOOTREST	2	
4	04111-2515A-000	PIN	2	
5	09440-05003-000	SPRING	2	
6	06111-07004-000	BALL	2	



4

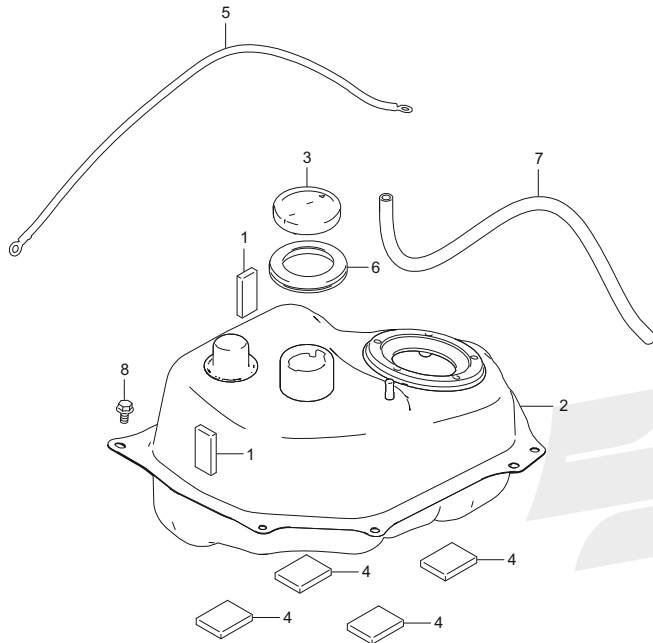


420A

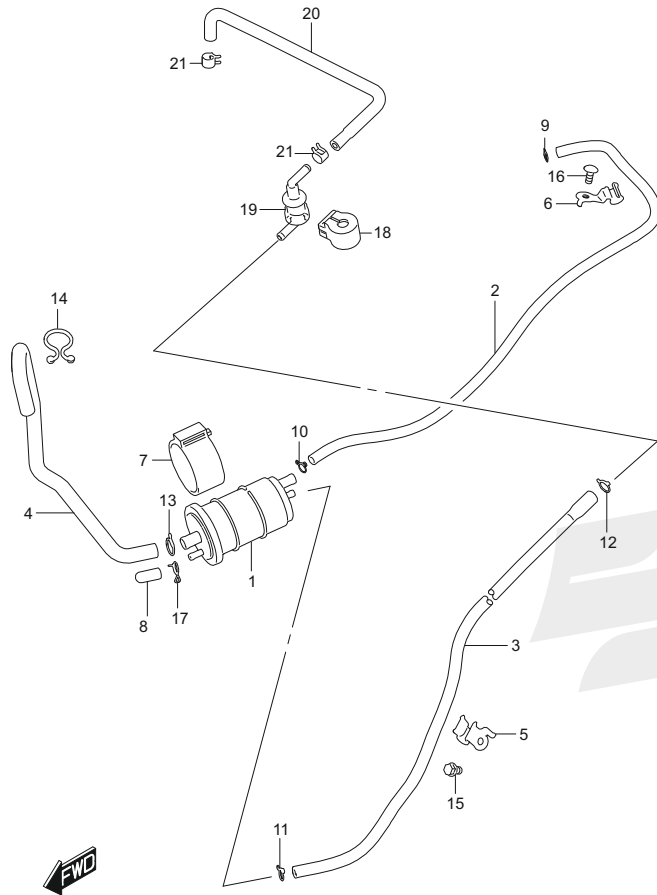
420A (D-4) FUEL TANK

REF NO.	PART NO.	DESCRIPTION	QTY	REMARKS
1	44281-02L00-000	CUSHION,FUEL TANK UPR 2	2	
2	44110-44K00-000	TANK,FUEL	1	
3	44210-44K00-000	CAP,FUEL TANK FILLER	1	
4	44281-29C00-000	CUSHION (30X30X3)	4	
5	36851-44K00-000	WIRE,FUEL TANK	1	
6	44261-44K00-000	RUBBER,FUEL TANK INLET	1	
7	09352-70114-510	HOSE (7X11X510)	1	
8	01550-0612A-000	BOLT	4	

4



427A



427A (D-5) EVAP SYSTEM

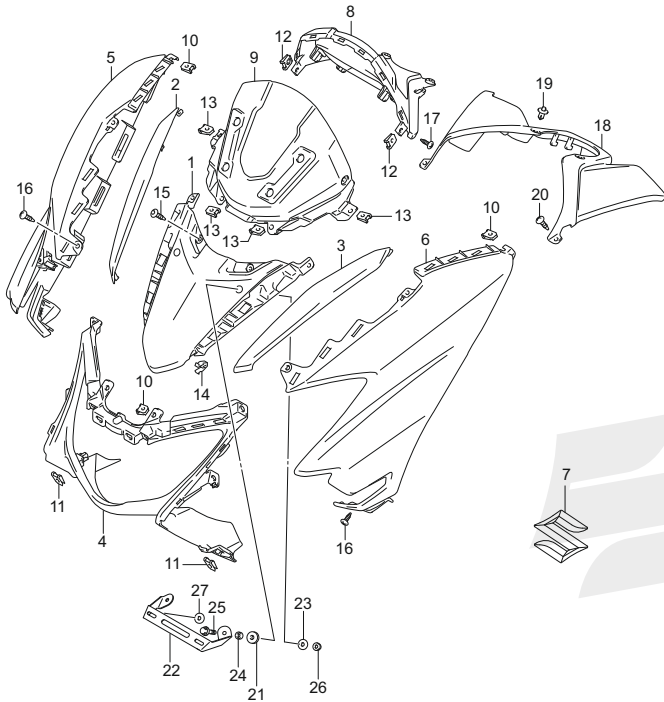
REF NO.	PART NO.	DESCRIPTION	QTY	REMARKS
1	18560-02L00-000	CANISTER ASSY, EVAP	1	
2	18561-02L10-000	HOSE, CSTR PURGE	1	
3	18563-02L00-000	HOSE, CSTR SURGE	1	
4	18567-02L00-000	HOSE, CSTR AIR	1	
5	18571-02L00-000	CLAMP, PURGE HOSE NO.1	1	
6	18572-02L00-000	CLAMP, PURGE HOSE NO.2	1	
7	18573-02L00-000	CUSHION, CANISTER	1	
8	09251-04004-000	CAP, CANISTER DRAIN	1	
9	09401-08001-000	CLIP, CANISTER PURGE HOSE NO.1	1	
10	09401-09101-000	CLIP	1	
11	09401-09101-000	CLIP	1	
12	09401-10401-000	CLIP	1	
13	09401-13102-000	CLIP	1	
14	09408-00343-000	CLAMP	1	
15	01547-0610A-000	BOLT	1	
16	03541-0512A-000	SCREW	1	
17	09401-09406-000	CLIP	1	
18	44894-39J10-000	CUSHION, FUEL TANK BRTHR	1	
19	44240-13H00-000	VALVE, FUEL TANK BRTHR	1	
20	44434-44K10-000	HOSE, TANK & BRTHR VALVE	1	
21	09401-09L03-000	CLIP (ID:9.4, H:8)	2	



435A

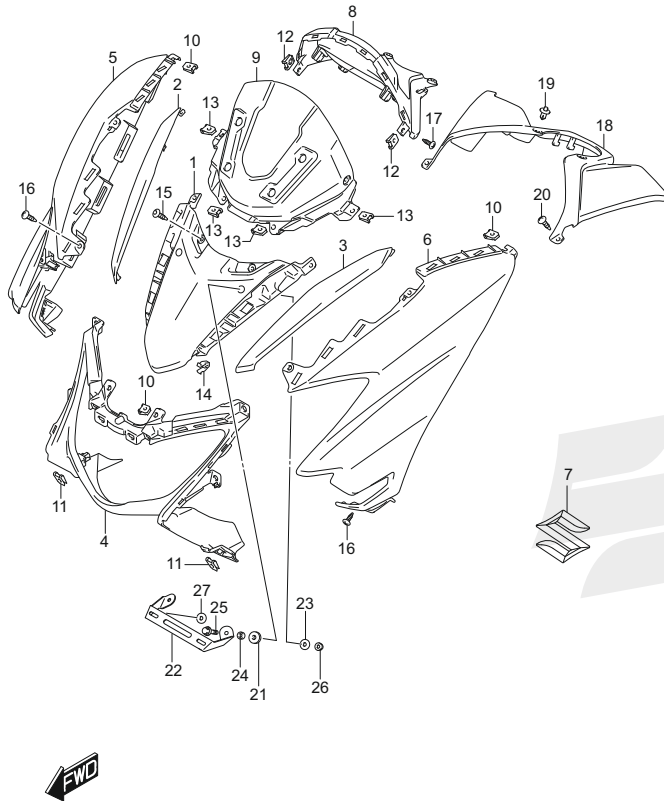
435A (D-6) FRONT LEG SHIELD (UB125NMX)

4



REF NO.	PART NO.	DESCRIPTION	QTY	REMARKS
1-1	48111-44K11-YKV	SHIELD,LEG FRONT (BLACK)	1	BODY COLOR:YKV
1-2	48111-44K11-QMV	SHIELD,LEG FRONT (RED)	1	BODY COLOR:QMV
1-3	48111-44K11-YBB	SHIELD,LEG FRONT (BLUE)	1	BODY COLOR:YBB
2	48112-44K10-YVB	GARNISH,LEG SHIELD RH (BLACK)	1	
3	48113-44K10-YVB	GARNISH,LEG SHIELD LH (BLACK)	1	
4	48114-44K00-000	SHIELD,LEG FRONT LOWER	1	
5-1	48211-44K02-YKV	SHIELD,LEG FRONT,R (BLACK)	1	BODY COLOR:YKV
5-2	48211-44K02-QMV	SHIELD,LEG FRONT,R (RED)	1	BODY COLOR:QMV
5-3	48211-44K02-YBB	SHIELD,LEG FRONT,R (BLUE)	1	BODY COLOR:YBB
6-1	48221-44K02-YKV	SHIELD,LEG FRONT,L (BLACK)	1	BODY COLOR:YKV
6-2	48221-44K02-QMV	SHIELD,LEG FRONT,L (RED)	1	BODY COLOR:QMV
6-3	48221-44K02-YBB	SHIELD,LEG FRONT,L (BLUE)	1	BODY COLOR:YBB
7	68641-33GC0-000	EMBLEM,"S"	1	
8	94421-44K00-000	PANEL,METER	1	
9	94671-44K00-000	PANEL,FRONT	1	
10	09148-05060-000	NUT	6	
11	09148-05060-000	NUT	4	
12	09148-05060-000	NUT	2	
13	09148-05060-000	NUT	4	
14	09409-08L09-000	CLIP	2	
15	48119-44K00-000	SCREW,LEG FR UPR	2	
16	03541-0516A-000	SCREW	8	
17	03541-0516B-000	SCREW	2	
18	92114-44K01-YVB	COVER,LEG SHIELD UPR (BLACK)	1	
19	09409-06L07-000	CLIP	2	
20	03541-0516A-000	SCREW	2	
21	47161-23J00-000	CUSHION,FRAME COVER UPPER (10X22X7)	2	
22	48191-44K10-000	PLATE,FRONT LICENSE	1	
23	09160-06060-000	WASHER (6.5X20X1.2)	2	
24	09180-06082-000	SPACER (6.5X10.5X6.5)	2	
25	01550-0616A-000	BOLT	2	
26	08316-1006A-000	NUT	2	
27	08322-0105A-000	WASHER	2	

435B



435B (D-7) FRONT LEG SHIELD (UB125NM)

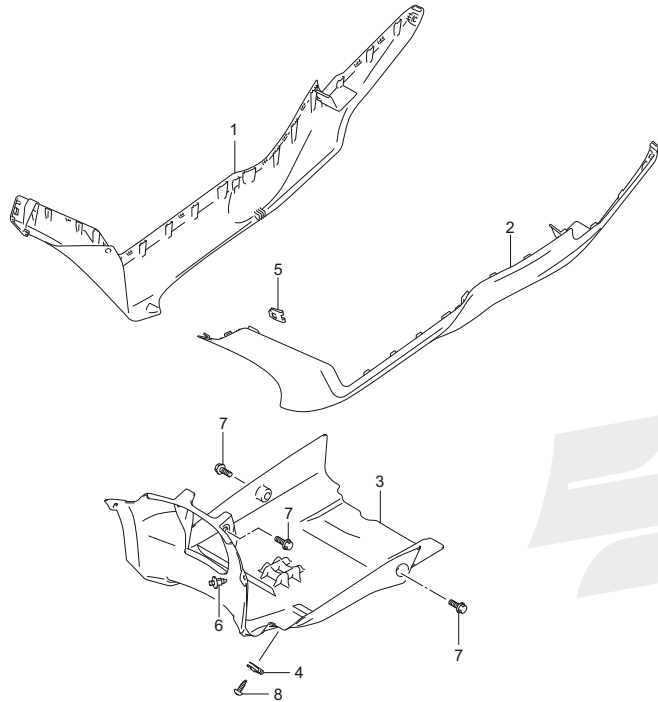
REF NO.	PART NO.	DESCRIPTION	QTY	REMARKS
1-1	48111-44K11-PGZ	SHIELD,LEG FRONT (GRAY)	1	BODY COLOR:PGZ
1-2	48111-44K11-YPA	SHIELD,LEG FRONT (WHITE)	1	BODY COLOR:YPA
2	48112-44K00-000	GARNISH,LEG SHIELD,R	1	
3	48113-44K00-000	GARNISH,LEG SHIELD,L	1	
4	48114-44K00-000	SHIELD,LEG FRONT LOWER	1	
5-1	48211-44K02-PGZ	SHIELD,LEG FRONT,R (GRAY)	1	BODY COLOR:PGZ
5-2	48211-44K02-YPA	SHIELD,LEG FRONT,R (WHITE)	1	BODY COLOR:YPA
6-1	48221-44K02-PGZ	SHIELD,LEG FRONT,L (GRAY)	1	BODY COLOR:PGZ
6-2	48221-44K02-YPA	SHIELD,LEG FRONT,L (WHITE)	1	BODY COLOR:YPA
7	68641-33GC0-000	EMBLEM,"S"	1	
8	94421-44K00-000	PANEL,METER	1	
9	94671-44K00-000	PANEL,FRONT	1	
10	09148-05060-000	NUT	6	
11	09148-05060-000	NUT	4	
12	09148-05060-000	NUT	2	
13	09148-05060-000	NUT	4	
14	09409-08L09-000	CLIP	2	
15	48119-44K00-000	SCREW,LEG FR UPR	2	
16	03541-0516A-000	SCREW	8	
17	03541-0516B-000	SCREW	2	
18	92114-44K01-YMC	COVER,LEG SHIELD UPPER (SILVER)	1	
19	09409-06L07-000	CLIP	2	
20	03541-0516A-000	SCREW	2	
21	47161-23J00-000	CUSHION,FRAME COVER UPPER (10X 22X7)	2	
22	48191-44K10-000	PLATE,FRONT LICENSE	1	
23	09160-06060-000	WASHER (6.5X20X1.2)	2	
24	09180-06082-000	SPACER (6.5X10.5X6.5)	2	
25	01550-0616A-000	BOLT	2	
26	08316-1006A-000	NUT	2	
27	08322-0105A-000	WASHER	2	

438A

438A (D-8) SIDE LEG SHIELD (UB125NMX)

REF NO.	PART NO.	DESCRIPTION	QTY	REMARKS
1-1	48132-44K01-YKV	SHIELD,LEG SIDE,R (BLACK)	1	BODY COLOR:YKV
1-2	48132-44K01-QMV	SHIELD,LEG SIDE,R (RED)	1	BODY COLOR:QMV
1-3	48132-44K01-YBB	SHIELD,LEG SIDE,R (BLUE)	1	BODY COLOR:YBB
2-1	48133-44K01-YKV	SHIELD,LEG SIDE,L (BLACK)	1	BODY COLOR:YKV
2-2	48133-44K01-QMV	SHIELD,LEG SIDE,L (RED)	1	BODY COLOR:QMV
2-3	48133-44K01-YBB	SHIELD,LEG SIDE,L (BLUE)	1	BODY COLOR:YBB
3	48131-44K10-000	COVER,UNDER	1	
4	09148-05060-000	NUT	2	
5	09148-05060-000	NUT	2	
6	09409-06L07-000	CLIP	2	
7	01550-0612A-000	BOLT	4	
8	03541-0516A-000	SCREW	4	

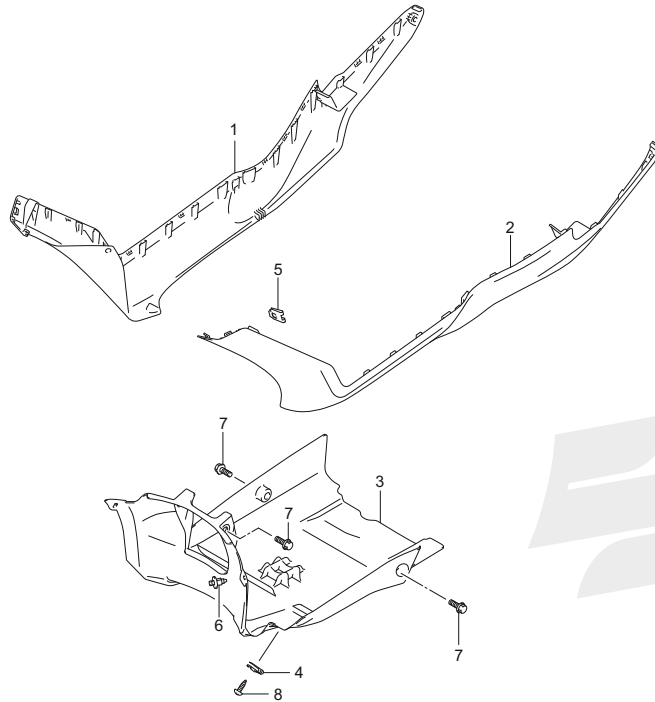
4



438B

438B (D-9) SIDE LEG SHIELD (UB125NM)

REF NO.	PART NO.	DESCRIPTION	QTY	REMARKS
1-1	48132-44K01-PGZ	SHIELD,LEG SIDE,R (GRAY)	1	BODY COLOR:PGZ
1-2	48132-44K01-YPA	SHIELD,LEG SIDE,R (WHITE)	1	BODY COLOR:YPA
2-1	48133-44K01-PGZ	SHIELD,LEG SIDE,L (GRAY)	1	BODY COLOR:PGZ
2-2	48133-44K01-YPA	SHIELD,LEG SIDE,L (WHITE)	1	BODY COLOR:YPA
3	48131-44K10-000	COVER,UNDER	1	
4	09148-05060-000	NUT	2	
5	09148-05060-000	NUT	2	
6	09409-06L07-000	CLIP	2	
7	01550-0612A-000	BOLT	4	
8	03541-0516A-000	SCREW	4	

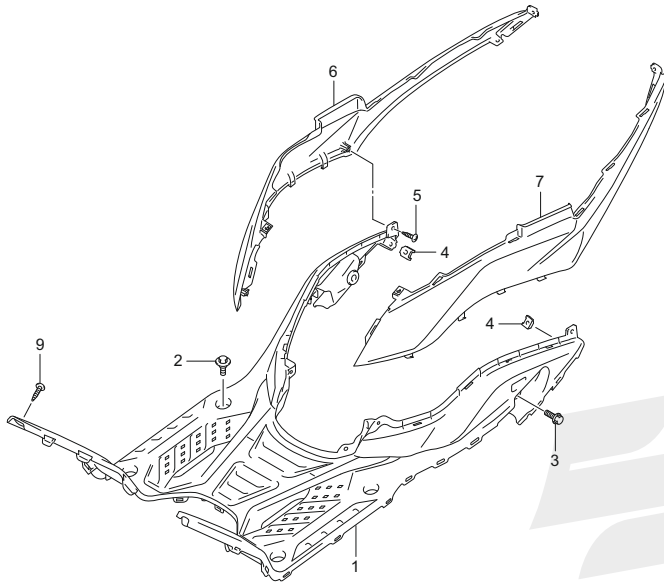


440A

440A (D-10) REAR LEG SHIELD (UB125NMX)

REF NO.	PART NO.	DESCRIPTION	QTY	REMARKS
1	48121-44K10-000	FOOTBOARD,LEG SHIELD	1	
2	09111-06072-000	BOLT (6X17.8)	4	
3	63115-08K10-000	BOLT (6X16)	2	
4	09148-05060-000	NUT	2	
5	03541-0516A-000	SCREW	4	
6	47131-44K01-YVB	COVER,SIDE LOWER,R (BLACK)	1	
7	47231-44K01-YVB	COVER,SIDE LOWER,L (BLACK)	1	
8	68136-39J00-000	EMBLEM,FRAME COVER	1	
9	03541-0516B-000	SCREW	2	

4

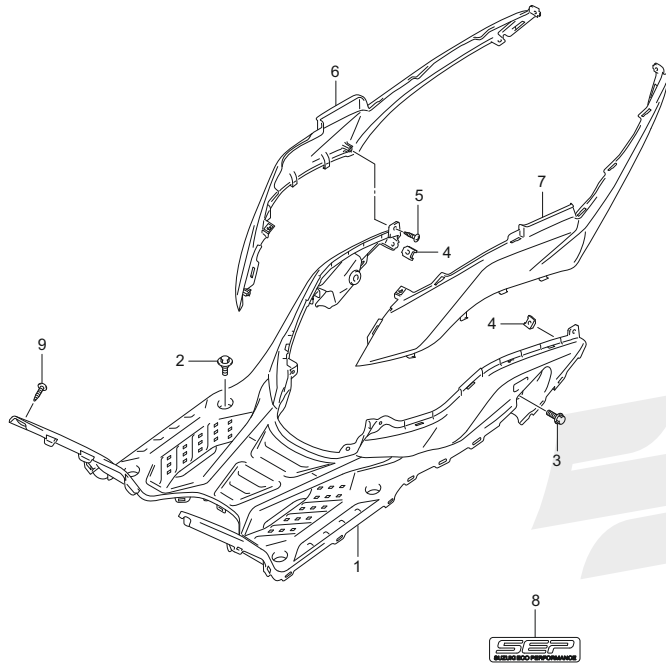


UB125NMM3_P74_440A
REAR LEG SHIELD (UB125NMX)

440B

440B (D-11) REAR LEG SHIELD (UB125NM)

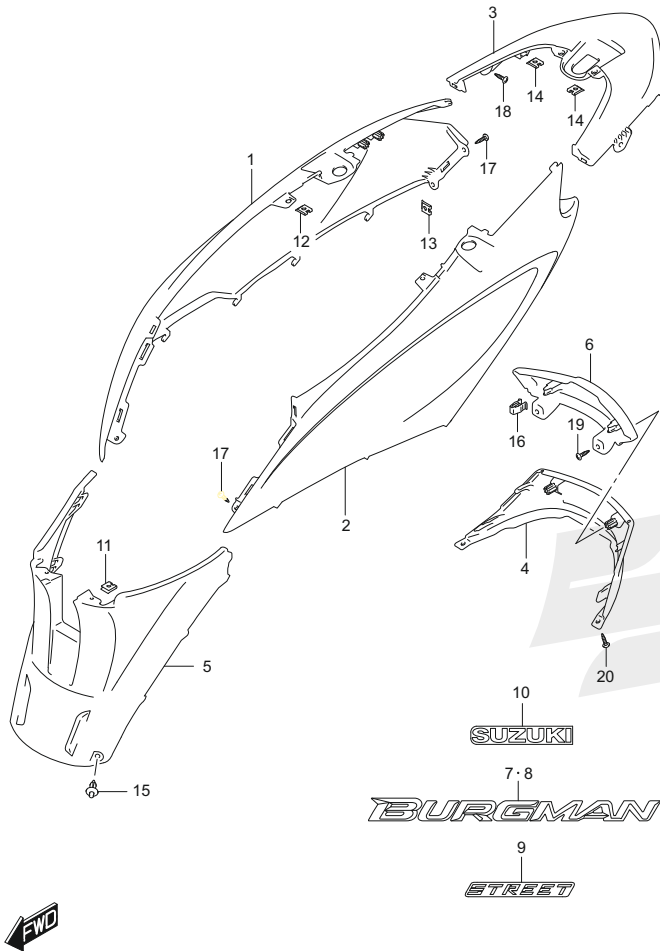
REF NO.	PART NO.	DESCRIPTION	QTY	REMARKS
1	48121-44K10-000	FOOTBOARD,LEG SHIELD	1	
2	09111-06072-000	BOLT (6X17.8)	4	
3	63115-08K10-000	BOLT (6X16)	2	
4	09148-05060-000	NUT	2	
5	03541-0516A-000	SCREW	4	
6	47131-44K01-YMC	COVER,SIDE LOWER,R (SILVER)	1	
7	47231-44K01-YMC	COVER,SIDE LOWER,L (SILVER)	1	
8	68136-39J00-000	EMBLEM,FRAME COVER	1	
9	03541-0516B-000	SCREW	2	



UB125NMM3_P74_440B
REAR LEG SHIELD (UB125NM)

445A

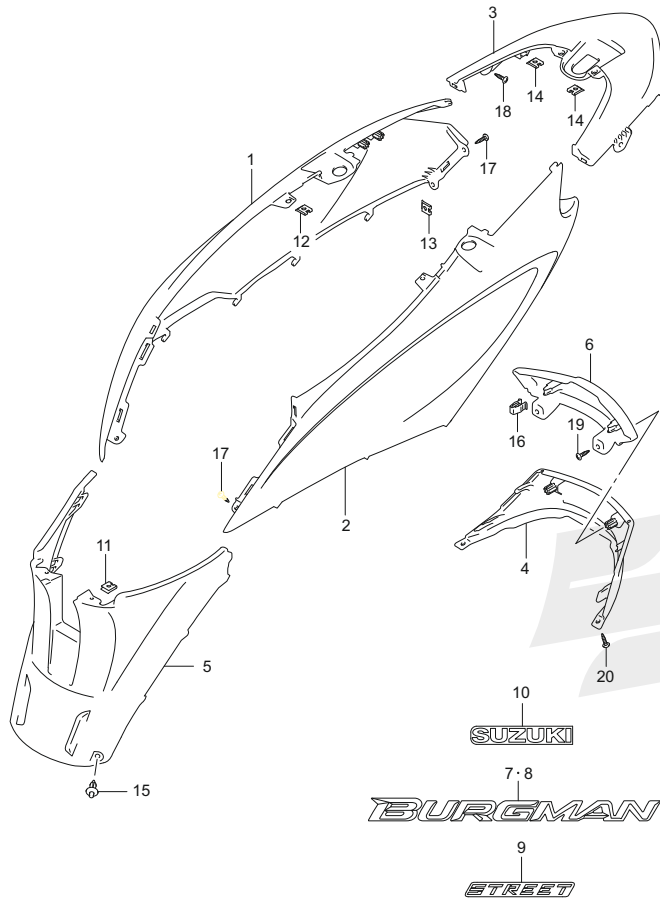
4



445A (D-12) FRAME COVER (UB125NMX)

REF NO.	PART NO.	DESCRIPTION	QTY	REMARKS
1-1	47111-44K01-YKV	COVER,FRAME,R (BLACK)	1	BODY COLOR:YKV
1-2	47111-44K01-QMV	COVER,FRAME,R (RED)	1	BODY COLOR:QMV
1-3	47111-44K01-YBB	COVER,FRAME,R (BLUE)	1	BODY COLOR:YBB
2-1	47211-44K01-YKV	COVER,FRAME,L (BLACK)	1	BODY COLOR:YKV
2-2	47211-44K01-QMV	COVER,FRAME,L (RED)	1	BODY COLOR:QMV
2-3	47211-44K01-YBB	COVER,FRAME,L (BLUE)	1	BODY COLOR:YBB
3-1	47311-44K01-YKV	COVER,FRAME CENTER (BLACK)	1	BODY COLOR:YKV
3-2	47311-44K01-QMV	COVER,FRAME CENTER (RED)	1	BODY COLOR:QMV
3-3	47311-44K01-YBB	COVER,FRAME CENTER (BLUE)	1	BODY COLOR:YBB
4	47411-44K00-000	COVER,FRAME LOWER	1	
5	47121-44K00-000	COVER,FRAME FRONT	1	
6	47412-44K10-YVB	GARNISH,FRAME COVER LWR (BLACK)	1	
7	68131-44K00-000	EMBLEM,FRAME COVER,R	1	
8	68141-44K00-000	EMBLEM,FRAME COVER,L	1	
9	68132-44K00-BYC	EMBLEM,FRAME COVER (SILVER, GRAY)	2	
10	68141-27K00-AB4	EMBLEM,SUZUKI (SILVER,BLACK)	1	
11	09148-05060-000	NUT	2	
12	09148-05060-000	NUT	2	
13	09148-05060-000	NUT	4	
14	09148-05060-000	NUT	4	
15	09409-06L07-000	CLIP	2	
16	09409-08L09-000	CLIP	2	
17	03541-0516A-000	SCREW	6	
18	03541-0516A-000	SCREW	2	
19	03541-0516A-000	SCREW	2	
20	47353-44K00-000	SCREW,FRAME COVER LWR	2	

445B



445B (D-13) FRAME COVER (UB125NM)

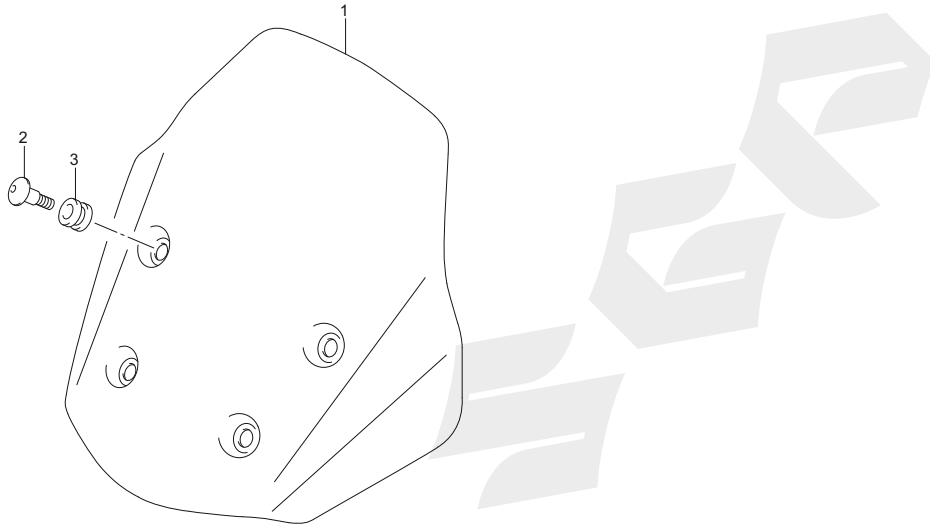
REF NO.	PART NO.	DESCRIPTION	QTY	REMARKS
1-1	47111-44K01-PGZ	COVER,FRAME,R (GRAY)	1	BODY COLOR:PGZ
1-2	47111-44K01-YPA	COVER,FRAME,R (WHITE)	1	BODY COLOR:YPA
2-1	47211-44K01-PGZ	COVER,FRAME,L (GRAY)	1	BODY COLOR:PGZ
2-2	47211-44K01-YPA	COVER,FRAME,L (WHITE)	1	BODY COLOR:YPA
3-1	47311-44K01-PGZ	COVER,FRAME CENTER (GRAY)	1	BODY COLOR:PGZ
3-2	47311-44K01-YPA	COVER,FRAME CENTER (WHITE)	1	BODY COLOR:YPA
4	47411-44K00-000	COVER,FRAME LOWER	1	
5	47121-44K00-000	COVER,FRAME FRONT	1	
6	47412-44K00-000	GARNISH,FRAME COVER LOWER	1	
7	68131-44K00-000	EMBLEM,FRAME COVER,R	1	
8	68141-44K00-000	EMBLEM,FRAME COVER,L	1	
9	68132-44K00-BYC	EMBLEM,FRAME COVER (SILVER, GRAY)	2	
10	68141-27K00-AB4	EMBLEM,SUZUKI (SILVER,BLACK)	1	
11	09148-05060-000	NUT	2	
12	09148-05060-000	NUT	2	
13	09148-05060-000	NUT	4	
14	09148-05060-000	NUT	4	
15	09409-06L07-000	CLIP	2	
16	09409-08L09-000	CLIP	2	
17	03541-0516A-000	SCREW	6	
18	03541-0516A-000	SCREW	2	
19	03541-0516A-000	SCREW	2	
20	47353-44K00-000	SCREW,FRAME COVER LWR	2	

454A

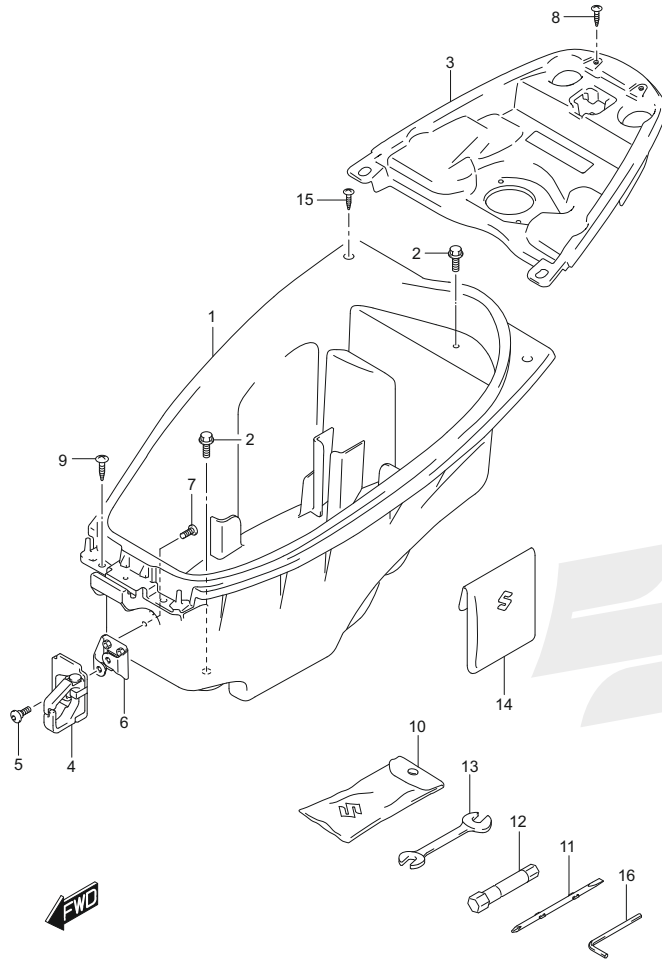
454A (D-14) WINDSCREEN

REF NO.	PART NO.	DESCRIPTION	QTY	REMARKS
1	94611-44K00-000	WINDSCREEN	1	
2	94619-44K00-000	SCREW,WINDSCREEN (6X20)	4	
3	09320-09016-000	CUSHION (9X18X9.5)	4	

4



456A



456A (D-15) HELMET BOX

REF NO.	PART NO.	DESCRIPTION	QTY	REMARKS
1	92211-44K10-000	BOX,HELMET	1	
2	01550-0612A-000	BOLT	3	
3	92212-44K10-000	COVER,HELMET BOX	1	
4	92170-33G60-291	HOOK ASSY,FRAME COVER (BLACK)	1	
5	92178-33G50-000	SCREW,FRAME COVER HOOK	2	
6	92180-08K01-000	BRACKET,FRAME COVER HOOK	1	
7	02142-0512A-000	SCREW	3	
8	03541-0516A-000	SCREW	2	
9	03541-0516A-000	SCREW	2	
10	96511-44K00-000	BAG,TOOL	1	
11	96412-33G50-000	DRIVER,	1	
12	96414-33G70-000	SPNNER,BOX (16)	1	
13	96513-23J40-000	SPANNER,OPEN (10X14)	1	
14-1	94990-28G12-000	SET,FIRST AID	1	
14-2	94990-28G22-000	SET,FIRST AID	1	
15	03541-0520A-000	SCREW	2	
16	96514-23J20-000	SPANNER,HEXAGON (3)	1	

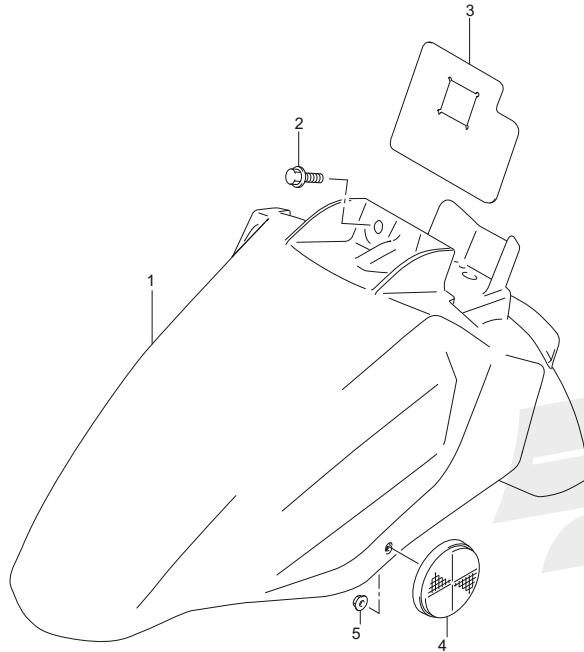
4

460A

460A (D-16) FRONT FENDER (UB125NMX)

REF NO.	PART NO.	DESCRIPTION	QTY	REMARKS
1-1	53111-44K10-YKV	FENDER,FRONT (BLACK)	1	BODY COLOR:YKV
1-2	53111-44K10-QMV	FENDER,FRONT (RED)	1	BODY COLOR:QMV
1-3	53111-44K10-YBB	FENDER,FRONT (BLUE)	1	BODY COLOR:YBB
2	09111-06109-000	BOLT (6X14.8)	3	
3	53331-44K00-000	MUDGUARD,FRONT FENDER	1	
4	35950-20L00-000	REFLEX REFLECTOR ASSY,SIDE	2	
5	08316-1006A-000	NUT	2	

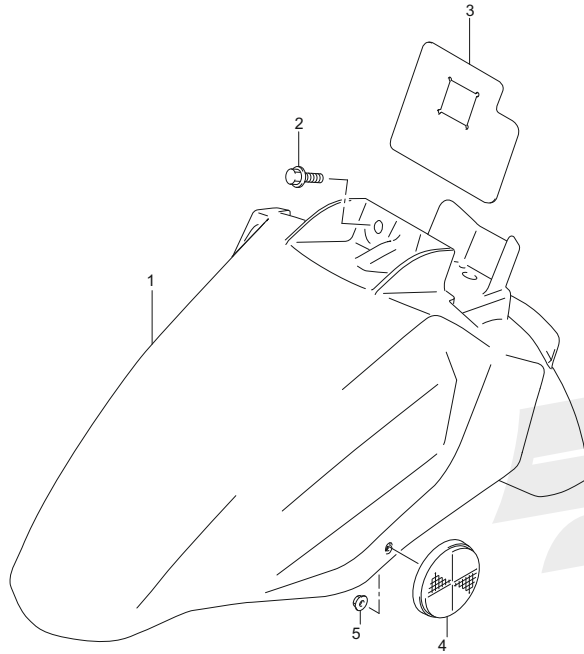
4



460B

460B (E-2) FRONT FENDER (UB125NM)

REF NO.	PART NO.	DESCRIPTION	QTY	REMARKS
1-1	53111-44K10-PGZ	FENDER,FRONT (GRAY)	1	BODY COLOR:PGZ
1-2	53111-44K10-YPA	FENDER,FRONT (WHITE)	1	BODY COLOR:YPA
2	09111-06109-000	BOLT (6X14.8)	3	
3	53331-44K00-000	MUDGUARD,FRONT FENDER	1	
4	35950-20L00-000	REFLEX REFLECTOR ASSY,SIDE	2	
5	08316-1006A-000	NUT	2	

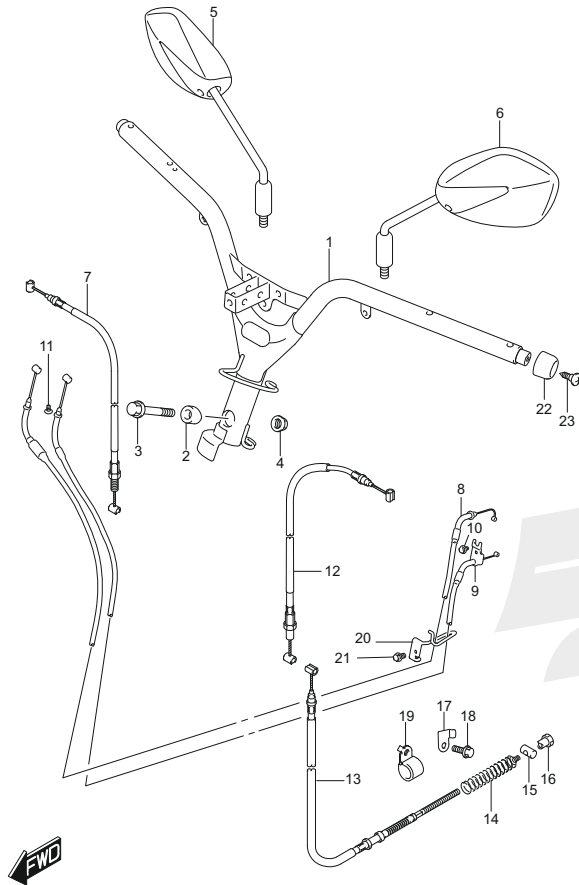


UB125NMM3_P74_460B
FRONT FENDER (UB125NM)

462A

462A (E-3) HANDLEBAR

4

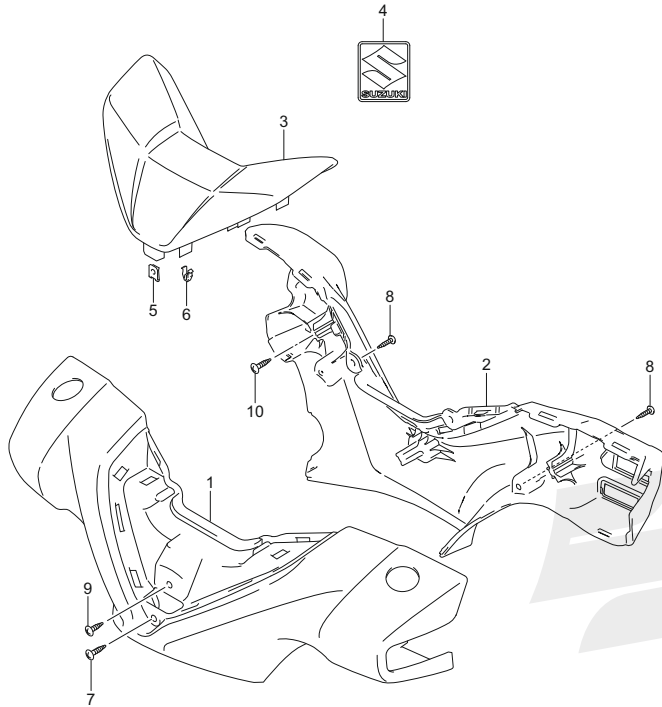


REF NO.	PART NO.	DESCRIPTION	QTY	REMARKS
1	56110-44K20-000	HANDLEBAR	1	
2	51358-09G00-000	STOPPER,HANDLEBAR	1	
3	09103-10126-000	BOLT (10X48)	1	
4	64147-33G10-000	NUT,FRONT HUB	1	
5	56500-34J41-000	MIRROR ASSY,REAR VIEW RH	1	
6	56600-34J41-000	MIRROR ASSY,REAR VIEW LH	1	
7	58110-44K01-000	CABLE,FRONT BRAKE	1	
8	58300-44K30-000	CABLE ASSY,THROTTLE NO.1	1	
9	58300-44K40-000	CABLE ASSY,THROTTLE NO.2	1	
10	01550-0510A-000	BOLT	1	
11	02142-0510B-000	SCREW	1	
12	58510-44K00-000	CABLE,REAR BRAKE NO.1	1	
13	58510-44K10-000	CABLE,REAR BRAKE NO.2	1	
14	58562-08K00-000	SPRING,REAR BRAKE CABLE	1	
15	09209-11002-000	PIN (11X18)	1	
16	09150-06010-000	NUT	1	
17	58575-39J00-000	PLATE,REAR BRAKE CABLE	1	
18	01547-0610A-000	BOLT	1	
19	58577-39J10-000	CLAMP,RR BK CABLE CRKC FR	1	
20	58620-02L10-000	GUIDE,CABLE	1	
21	01547-0610A-000	BOLT	1	
22	57216-02L01-000	CAP,GRIP END	2	
23	09139-06165-000	SCREW (6X16)	2	

463A

463A (E-4) HANDLE COVER (UB125NMX)

REF NO.	PART NO.	DESCRIPTION	QTY	REMARKS
1	56311-44K20-000	COVER,HANDLE FRONT	1	
2	56321-44K20-000	COVER,HANDLE REAR	1	
3	56312-44K01-YVB	COVER,HANDLE UPPER (BLACK)	1	
4	68281-44K00-000	EMBLEM,S	1	
5	09148-05060-000	NUT	1	
6	09409-08L09-000	CLIP	2	
7	03541-0516B-000	SCREW	1	
8	03541-0416B-000	SCREW	4	
9	02142-0512A-000	SCREW	1	
10	03541-0516A-000	SCREW	3	



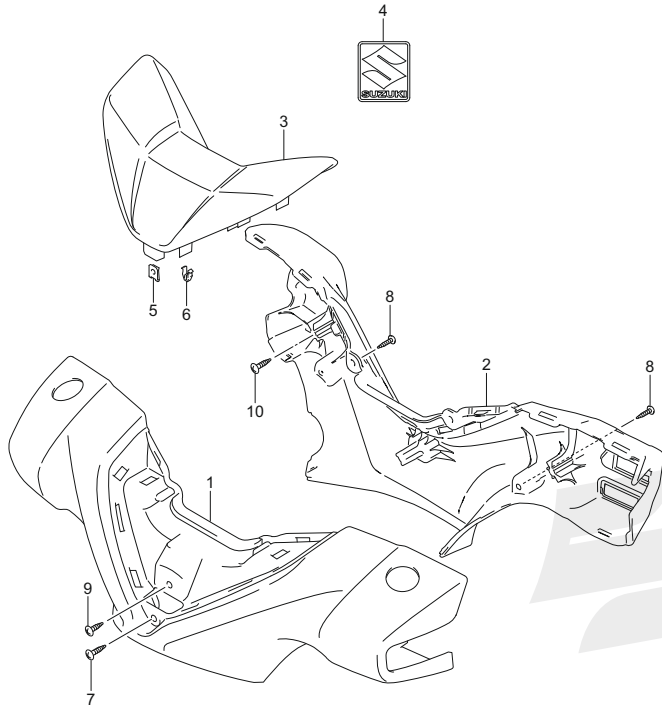
UB125NMM3_P74_463A
HANDLE COVER (UB125NMX)

463B

463B (E-5) HANDLE COVER (UB125NM)

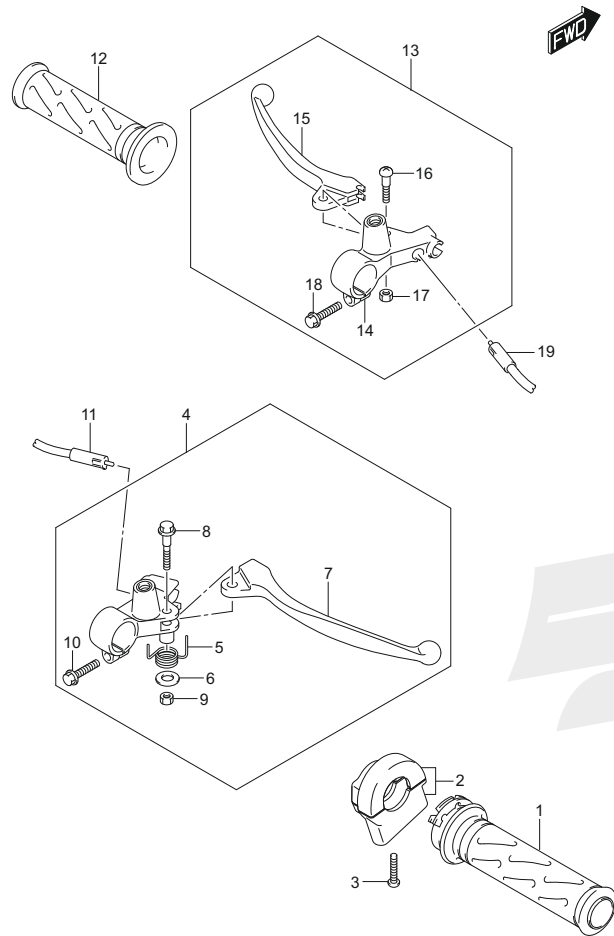
REF NO.	PART NO.	DESCRIPTION	QTY	REMARKS
1	56311-44K20-000	COVER,HANDLE FRONT	1	
2	56321-44K20-000	COVER,HANDLE REAR	1	
3-1	56312-44K01-PGZ	COVER,HANDLE UPPER (GRAY)	1	BODY COLOR:PGZ
3-2	56312-44K01-YPA	COVER,HANDLE UPPER (WHITE)	1	BODY COLOR:YPA
4	68281-44K00-000	EMBLEM,S	1	
5	09148-05060-000	NUT	1	
6	09409-08L09-000	CLIP	2	
7	03541-0516B-000	SCREW	1	
8	03541-0416B-000	SCREW	4	
9	02142-0512A-000	SCREW	1	
10	03541-0516A-000	SCREW	3	

4



467A

467A (E-6) HANDLE LEVER



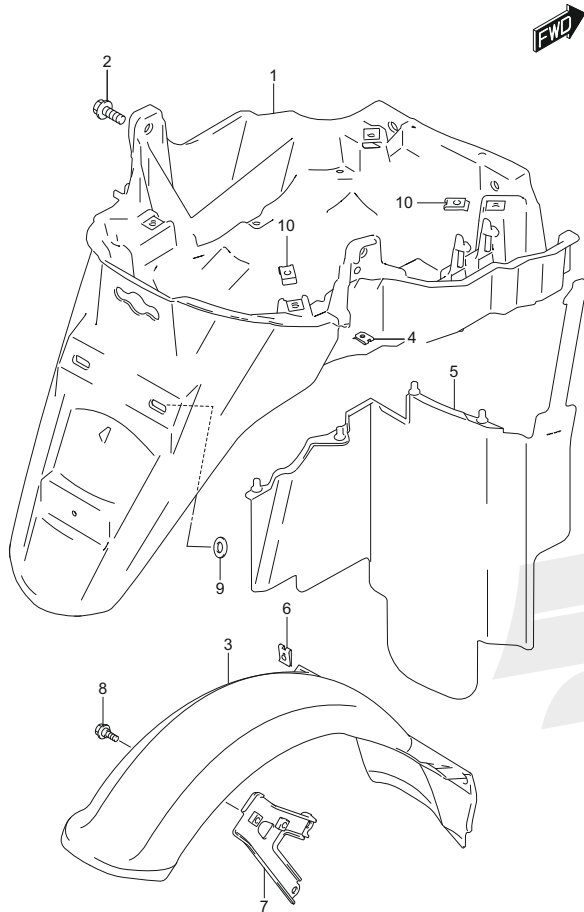
REF NO.	PART NO.	DESCRIPTION	QTY	REMARKS
1	57110-30H10-000	GRIP,THROTTLE	1	
2	57100-02L00-000	CASE ASSY,THROTTLE	1	
3	02112-0525A-000	SCREW	2	
4	57300-39J80-000	LEVER ASSY,FR BRAKE	1	
5	57523-39J10-000	.SPRING,BRAKE LEVER STOPPER	1	
6	09160-05013-000	.WASHER (5.2X16X1.0)	1	
7	57421-39J60-000	.LEVER,BRAKE,R	1	
8	57431-39J10-000	.BOLT,BRAKE LEVER PIVOT	1	
9	08319-2105A-000	.NUT	1	
10	01547-0620A-000	.BOLT	1	
11	37760-39J10-000	SWITCH ASSY,BRAKE	1	
12	57211-22D11-000	GRIP,LH	1	
13	57500-39J60-000	LEVER ASSY,RR BRAKE	1	
14	57511-39J50-000	.HOLDER,BRAKE LEVER,L	1	
15	57621-39J00-000	.LEVER,BRAKE,L	1	
16	57431-39J00-000	.BOLT,BRAKE LEVER PIVOT	1	
17	08319-2105A-000	.NUT	1	
18	01547-0620A-000	.BOLT	1	
19	37760-39J10-000	SWITCH ASSY,BRAKE	1	

4

474A

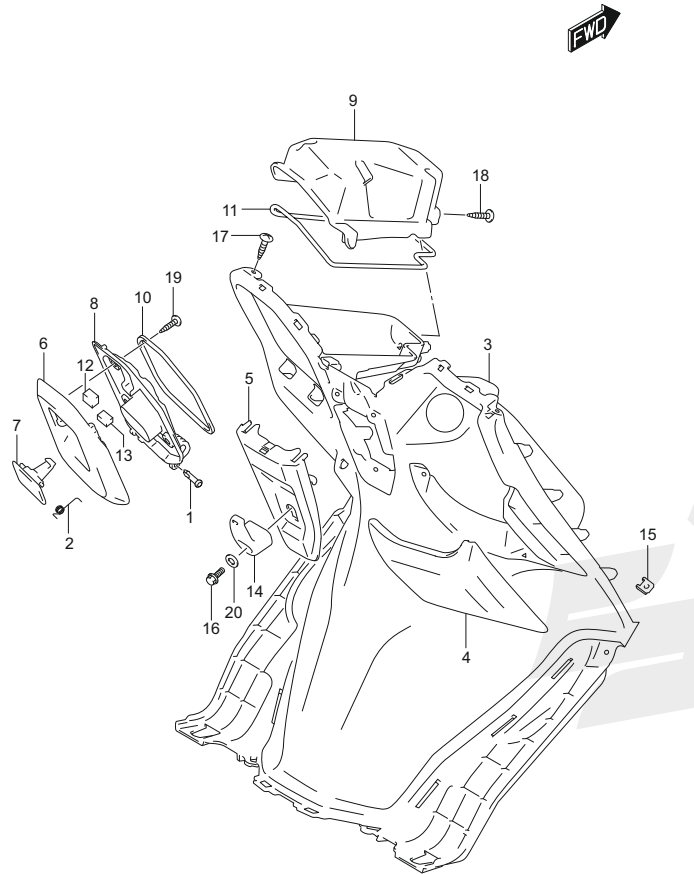
474A (E-7) REAR FENDER

REF NO.	PART NO.	DESCRIPTION	QTY	REMARKS
1	63111-44K10-000	FENDER,REAR UPPER	1	
2	01550-0612A-000	BOLT	4	
3	63112-44K00-000	FENDER,REAR LOWER	1	
4	63167-44K00-000	NUT,REAR FENDER UPPER	2	
5	63411-44K10-000	MUDGUARD,REAR FENDER	1	
6	35157-34J00-000	NUT	1	
7	63210-44K00-000	BRACE,REAR FENDER LOWER	1	
8	09111-06102-000	BOLT (6X14.8)	3	
9	08322-0105A-000	WASHER	2	
10	35157-34J00-000	NUT	4	



489A

489A (E-8) FRONT BOX (UB125NMX)



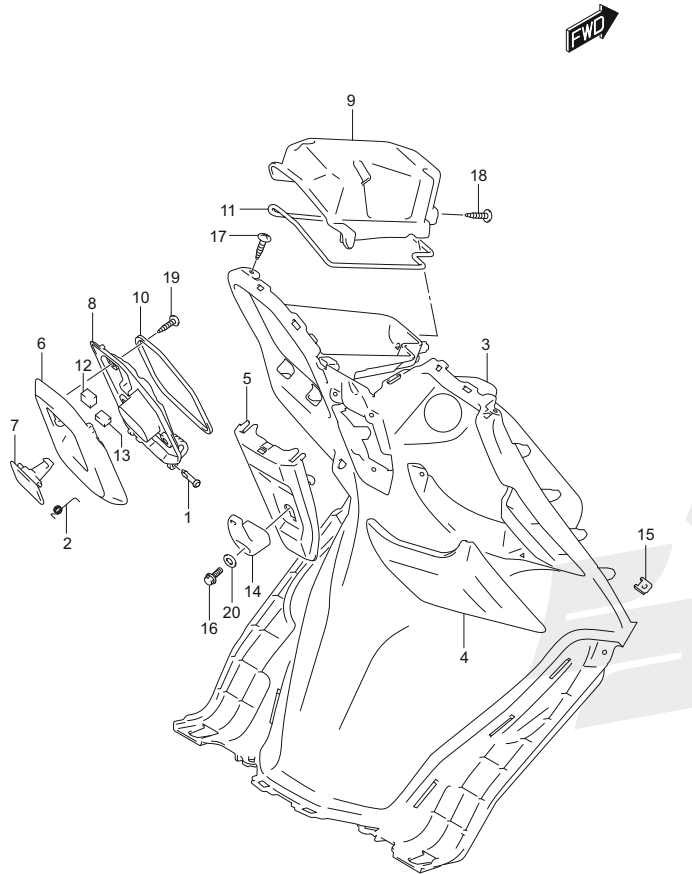
REF NO.	PART NO.	DESCRIPTION	QTY	REMARKS
1	73423-50G00-000	PIN,GLOVE BOX HINGE	2	
2	73423-62D00-000	SPRING,GLOVE BOX LID	1	
3	92111-44K20-000	COVER,LEG SHIELD	1	
4	92112-44K00-000	RACK,LEG SHIELD	1	
5	92113-44K01-YVB	COVER,LEG SHIELD CTR (BLACK)	1	
6	92151-44K00-000	LID,FRONT PANEL	1	
7	92152-44K00-000	LOCK,FRONT PANEL BOX	1	
8	92153-44K00-000	LID,FRONT PANEL INNER	1	
9	92154-44K00-000	BOX,FRONT PANEL	1	
10	92155-44K00-000	CUSHION,FRONT BOX NO.1	1	
11	92156-44K00-000	CUSHION,FRONT BOX NO.2	1	
12	92157-44K00-000	CUSHION,FRONT BOX NO.3	1	
13	92158-44K00-000	CUSHION,FRONT BOX NO.4	1	
14	92171-08K00-291	HOOK,LEG SHIELD (BLACK)	1	
15	09148-05060-000	NUT	2	
16	92172-44K00-000	BOLT,LEG SHIELD HOOK	1	
17	03541-0516A-000	SCREW	8	
18	03541-0516A-000	SCREW	3	
19	03541-0516A-000	SCREW	4	
20	08322-0106A-000	WASHER	1	

4

489B

489B (E-9) FRONT BOX (UB125NM)

4

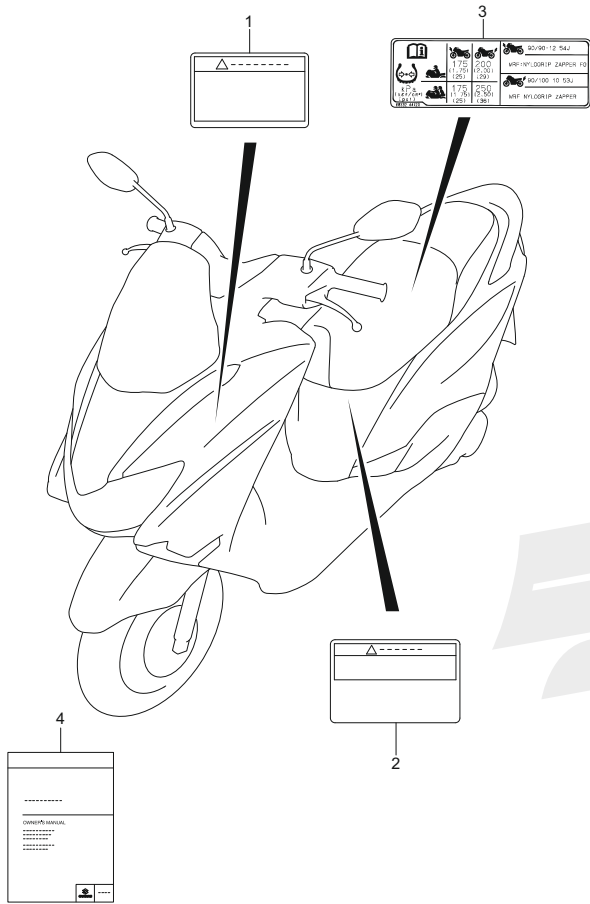


REF NO.	PART NO.	DESCRIPTION	QTY	REMARKS
1	73423-50G00-000	PIN,GLOVE BOX HINGE	2	
2	73423-62D00-000	SPRING,GLOVE BOX LID	1	
3	92111-44K20-000	COVER,LEG SHIELD	1	
4	92112-44K00-000	RACK,LEG SHIELD	1	
5	92113-44K01-YMC	COVER,LEG SHIELD CTR (SILVER)	1	
6	92151-44K00-000	LID,FRONT PANEL	1	
7	92152-44K00-000	LOCK,FRONT PANEL BOX	1	
8	92153-44K00-000	LID,FRONT PANEL INNER	1	
9	92154-44K00-000	BOX,FRONT PANEL	1	
10	92155-44K00-000	CUSHION,FRONT BOX NO.1	1	
11	92156-44K00-000	CUSHION,FRONT BOX NO.2	1	
12	92157-44K00-000	CUSHION,FRONT BOX NO.3	1	
13	92158-44K00-000	CUSHION,FRONT BOX NO.4	1	
14	92171-08K00-291	HOOK,LEG SHIELD (BLACK)	1	
15	09148-05060-000	NUT	2	
16	92172-44K00-000	BOLT,LEG SHIELD HOOK	1	
17	03541-0516A-000	SCREW	8	
18	03541-0516A-000	SCREW	3	
19	03541-0516A-000	SCREW	4	
20	08322-0106A-000	WASHER	1	

496A

496A (E-10) LABEL

REF NO.	PART NO.	DESCRIPTION	QTY	REMARKS
1	68319-39J00-000	LABEL,GENERAL WARNING	1	
2	68911-44K00-000	LABEL,LOADING CAPACITY	1	
3	68332-44K20-000	LABEL,TIRE INFORMATION	1	
4	99011-44K60-74A	MANUAL,OWNER'S	1	



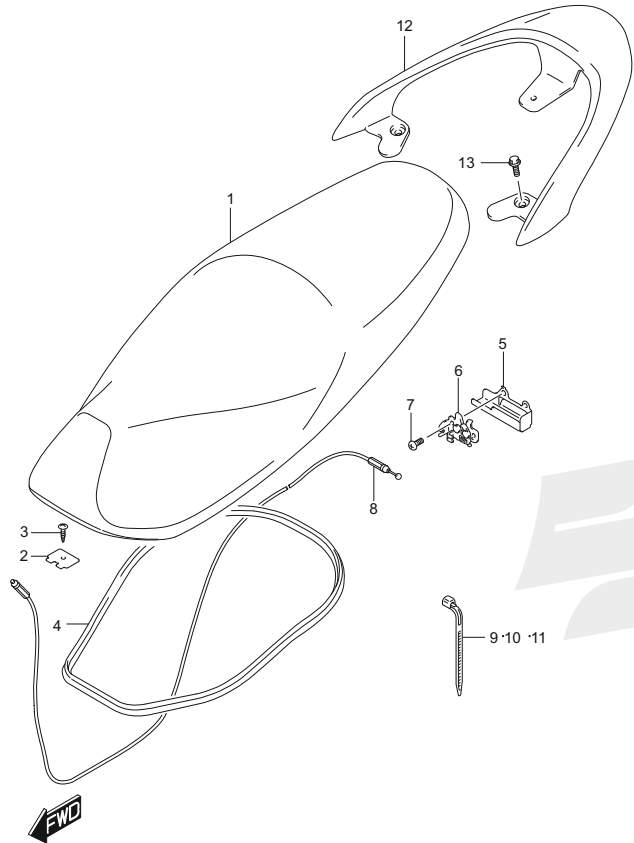
UB125NMM3_P74_496A
LABEL

505A

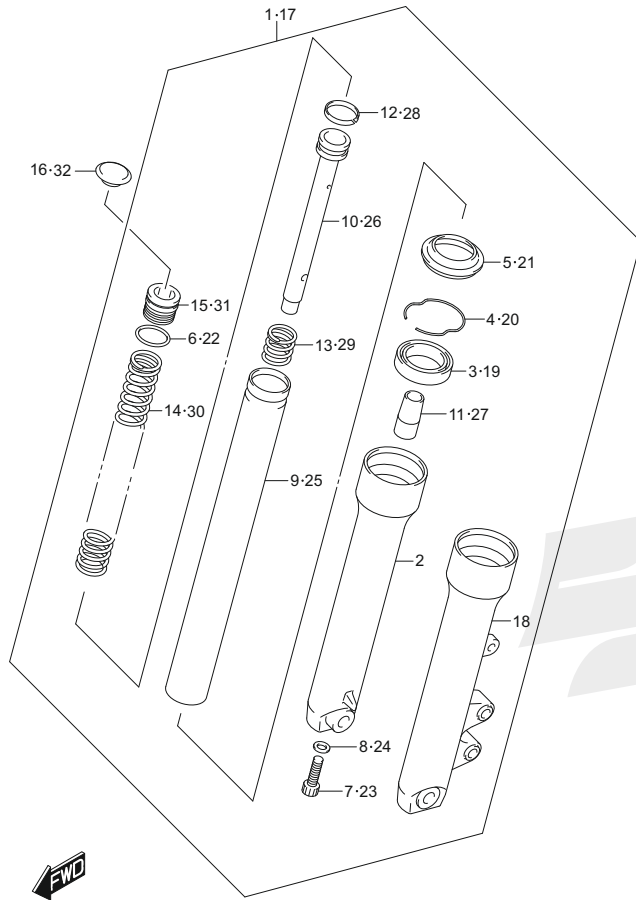
505A (E-11) SEAT

REF NO.	PART NO.	DESCRIPTION	QTY	REMARKS
1	45100-44K10-BQY	SEAT ASSY (GRAY,RED)	1	
2	45271-32G10-000	PLATE,SEAT HINGE	1	
3	03541-0516A-000	SCREW	1	
4	45211-44K00-000	MOLDING,SEAT	1	
5	45289-44K00-000	GUARD,SEAT LOCK	1	
6	45700-33G40-000	BRACKET,STRIKER SUPPORT	1	
7	02112-0612A-000	SCREW	2	
8	45280-44K00-000	CABLE,SEAT LOCK	1	
9	36990-70F20-000	CLAMP,COMB SW WIRE (L:165)	1	
10	09407-14L01-000	CLAMP,WIRING HARNESS (L:125)	1	
11	09407-19L01-000	CLAMP,THROTTLE CABLE (L:190)	1	
12	46211-44K00-YVB	HANDLE,PILLION RIDER (BLACK)	1	
13	01550-0825A-000	BOLT	3	

4



521A



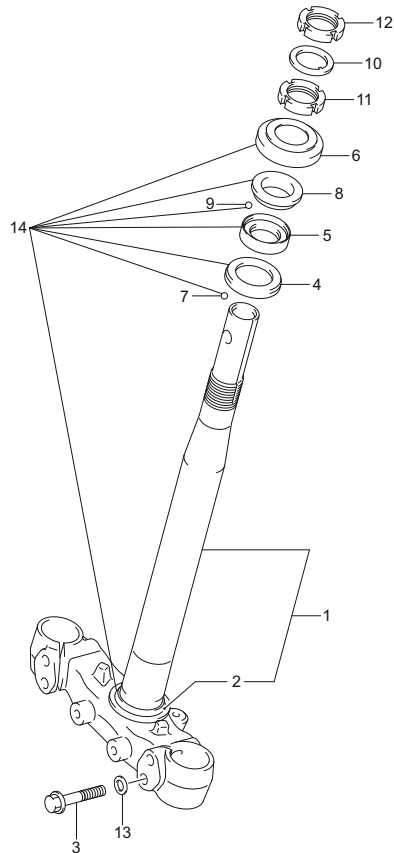
521A (E-12) FRONT FORK DAMPER

REF NO.	PART NO.	DESCRIPTION	QTY	REMARKS
1	51103-44K00-291	DAMPER ASSY,FR FORK,R (BLACK)	1	
2	51131-44K00-291	.TUBE,OUTER,R (BLACK)	1	
3	51153-33G10-000	.SEAL, OIL	1	
4	51156-33G10-000	.RING, SNAP	1	
5	51173-33G10-000	.SEAL, DUST	1	
6	51117-33G10-000	.O RING	1	
7	51147-33G10-000	.BOLT	1	
8	51148-33G10-000	.GASKET	1	
9	51110-08K10-000	.TUBE, INNER	1	
10	51146-44K00-000	.CYLINDER,FRONT FORK	1	
11	51195-33G50-000	.OIL LOCK PIECE	1	
12	51196-33G10-000	.RING, PISTON	1	
13	51177-33G10-000	.SPRING, REBOUND	1	
14	51171-44K00-000	.SPRING,FRONT FORK	1	
15	51351-33G10-000	.BOLT	1	
16	51189-08K10-000	CAP, FR FORK INNER TUBE	1	
17	51104-44K00-291	DAMPER ASSY,FR FORK,L (BLACK)	1	
18	51141-44K00-291	.TUBE,OUTER,L (BLACK)	1	
19	51153-33G10-000	.SEAL, OIL	1	
20	51156-33G10-000	.RING, SNAP	1	
21	51173-33G10-000	.SEAL, DUST	1	
22	51117-33G10-000	.O RING	1	
23	51147-33G10-000	.BOLT	1	
24	51148-33G10-000	.GASKET	1	
25	51110-08K10-000	.TUBE, INNER	1	
26	51146-44K00-000	.CYLINDER,FRONT FORK	1	
27	51195-33G50-000	.OIL LOCK PIECE	1	
28	51196-33G10-000	.RING, PISTON	1	
29	51177-33G10-000	.SPRING, REBOUND	1	
30	51171-44K00-000	.SPRING,FRONT FORK	1	
31	51351-33G10-000	.BOLT	1	
32	51189-08K10-000	CAP, FR FORK INNER TUBE	1	

524A

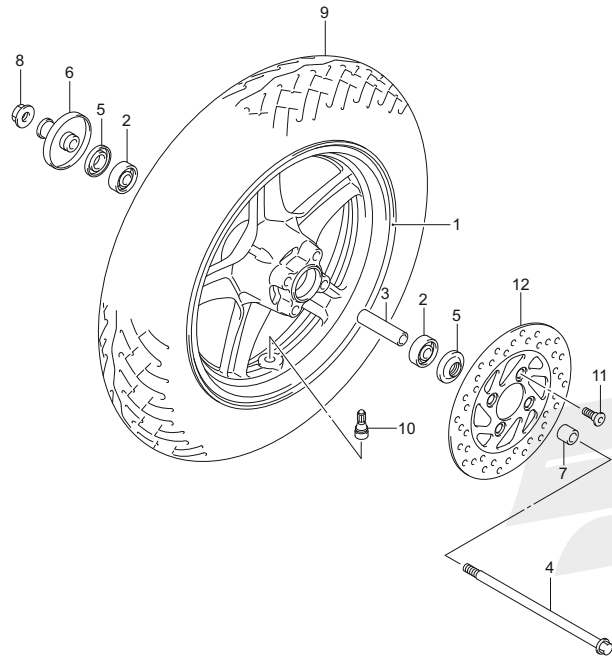
524A (E-13) STEERING STEM

REF NO.	PART NO.	DESCRIPTION	QTY	REMARKS
1	51410-08K10-000	BRACKET,FRONT FORK LOWR	1	
2	51622-41H00-000	.RACE	1	
3	51434-08K10-000	BOLT, FR FORK INNER TUBE CLAMP	4	
4	51612-41H01-000	RACE,STEERING INNER LOWER	1	
5	51611-41H01-000	RACE,STEERING INNER UPPER	1	
6	51643-06001-000	DUST SEAL,UPPER	1	
7	06111-06004-000	BALL	23	
8	51621-41H00-000	RACE,STEERING OUTER UPPER	1	
9	06111-06004-000	BALL	28	
10	09166-24001-000	WASHER (24.5X34X2.3)	1	
11	51631-05000-000	NUT,STEERING STEM	1	
12	51631-05000-000	NUT,STEERING STEM	1	
13	51435-33G10-000	WASHER	4	
14	51600-28810-000	RACER STEERING KIT	1	



530A

530A (E-14) FRONT WHEEL



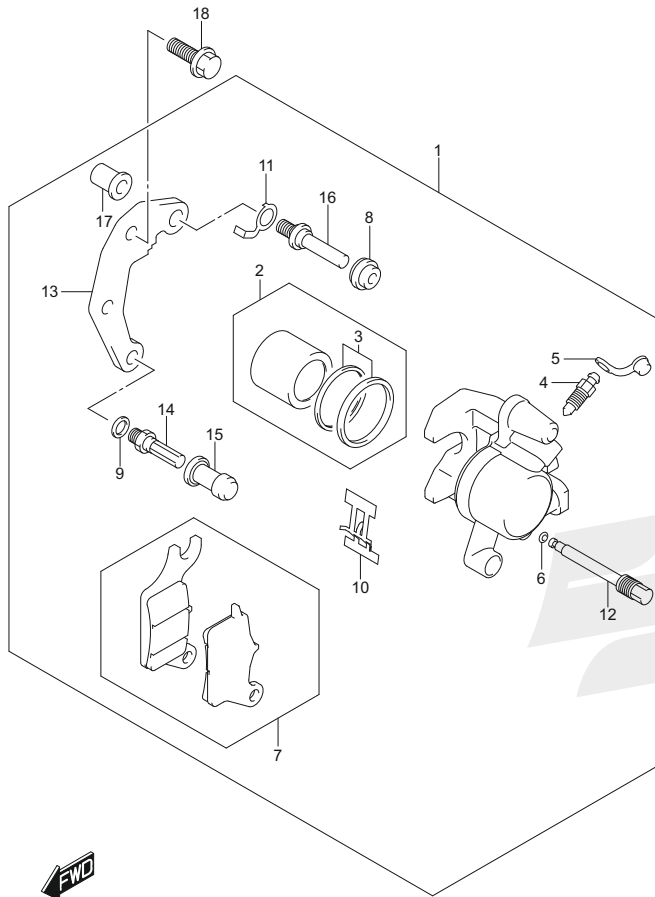
REF NO.	PART NO.	DESCRIPTION	QTY	REMARKS
1	54111-08K70-019	WHEEL,FRONT (BLACK)	1	
2	08133-6300B-000	BEARING,FRONT HUB	2	
3	54731-02L00-000	SPACER,FR HUB BEARING	1	
4	54711-11F00-000	AXLE,FRONT	1	
5	54841-23J00-000	SEAL,FRONT HUB DUST (17X38X5)	2	
6	54741-02L00-000	SPACER,FR AXLE R	1	
7	54751-02L00-000	SPACER,FR AXLE L	1	
8	64147-33G10-000	NUT,FRONT HUB	1	
9	55110-08K01-000	TIRE	1	(NON-SERVICEABLE)
10	43130-24A70-000	VALVE ASSY,WHEEL RIM (TR412)	1	
11	59218-34J00-000	BOLT,FRONT BRAKE DISC	4	
12	59221-08K00-000	DISC,FRONT BRAKE,L	1	



535A

535A (E-15) FRONT CALIPER

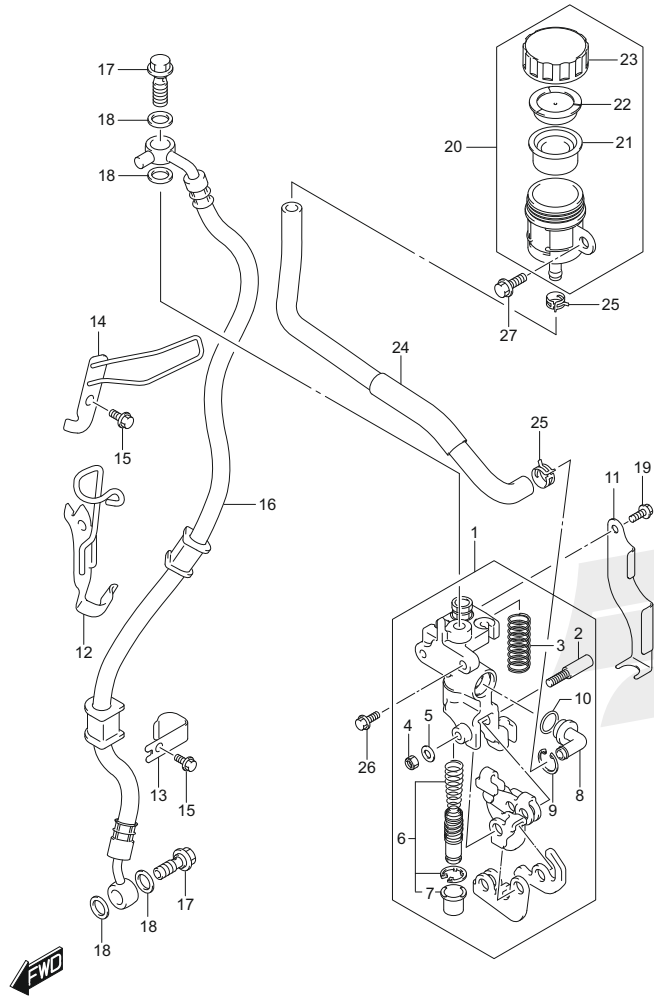
REF NO.	PART NO.	DESCRIPTION	QTY	REMARKS
1	59300-08K50-000	CALIPER ASSY,FRONT	1	
2	59300-08860-000	.PISTON SET	1	
3	59100-38860-000	..SEAL SET,PISTON	1	
4	59121-01A00-000	.BLEEDER	1	
5	59122-01A00-000	.CAP,BLEEDER	1	
6	59145-37F00-000	.RING,STOPPER	1	
7	59300-08850-000	.PAD SET	1	
8	59303-14500-000	.BOOT	1	
9	59314-13A00-000	.WASHER	1	
10	59315-08K00-000	.SPRING, PAD	1	
11	59333-08K00-000	.RETAINER BRACKET	1	
12	59345-08K00-000	.PIN HANGER	1	
13	59351-08K00-000	.BRACKET FR	1	
14	59382-13A00-000	.BOLT	1	
15	59386-13A00-000	.BOOT	1	
16	59387-41HA0-000	.PIN,BOLT	1	
17	59388-41HA0-000	.NUT	1	
18	01550-0825A-000	BOLT	2	



4



537A



537A (E-16) FRONT MASTER CYLINDER

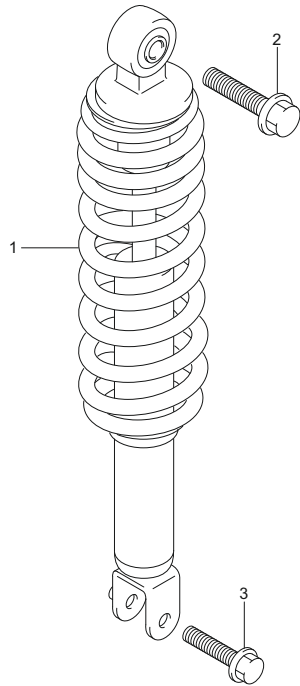
REF NO.	PART NO.	DESCRIPTION	QTY	REMARKS
1	55910-08K00-000	SUBUNIT,COMBINED BRAKE	1	
2	55925-40J00-000	.BOLT	1	
3	55935-40J00-000	.SPRING	1	
4	55936-40J00-000	.NUT	1	
5	55938-40J00-000	.WASHER	1	
6	59600-21810-000	.PISTON & CUP SET	1	
7	59666-44300-000	..BOOT	1	
8	69672-00B20-000	.CONNECTOR	1	
9	69647-00B20-000	.CIRCLIP	1	
10	69686-34200-000	.O RING	1	
11	55933-08K00-000	COVER,COMBINED BRAKE UNIT	1	
12	59260-08K20-000	CLAMP,FR BRAKE HOSE	1	
13	59267-08K00-000	CLAMP,BRAKE HOSE	1	
14	59270-44K20-000	GUIDE,FR BRAKE HOSE	1	
15	01547-0612A-000	BOLT	2	
16	59480-08K10-000	HOSE,FRONT BRAKE	1	
17	59492-30H30-000	BOLT,BRAKE FLUID	2	
18	09168-10033-000	WASHER (10.2X15X1.4)	4	
19	02142-0612A-000	SCREW	1	
20	59740-08K00-000	TANK ASSY,RESERVOIR	1	
21	69667-00B20-000	.DIAPHRAGM	1	
22	69668-00B20-000	.PLATE	1	
23	69669-08K00-000	.CAP	1	
24	59730-44K10-000	HOSE,RESERVOIR TANK	1	
25	59735-17C00-000	CLAMP,RESERVOIR TANK,FRONT	2	
26	01550-0612A-000	BOLT	2	
27	01550-0616A-000	BOLT	1	

545A

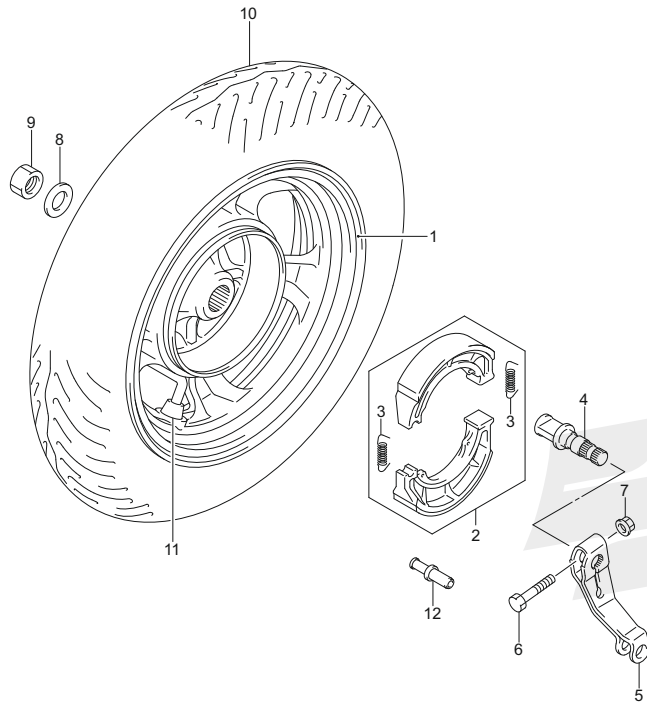
545A (F-2) REAR SHOCK ABSORBER

REF NO.	PART NO.	DESCRIPTION	QTY	REMARKS
1	62100-44K00-000	ABSORBER ASSY,REAR SHOCK	1	
2	01550-1040A-000	BOLT	1	
3	01550-0835A-000	BOLT	1	

4



550A



UB125NMM3_P74_550A
REAR WHEEL

550A (F-3) REAR WHEEL

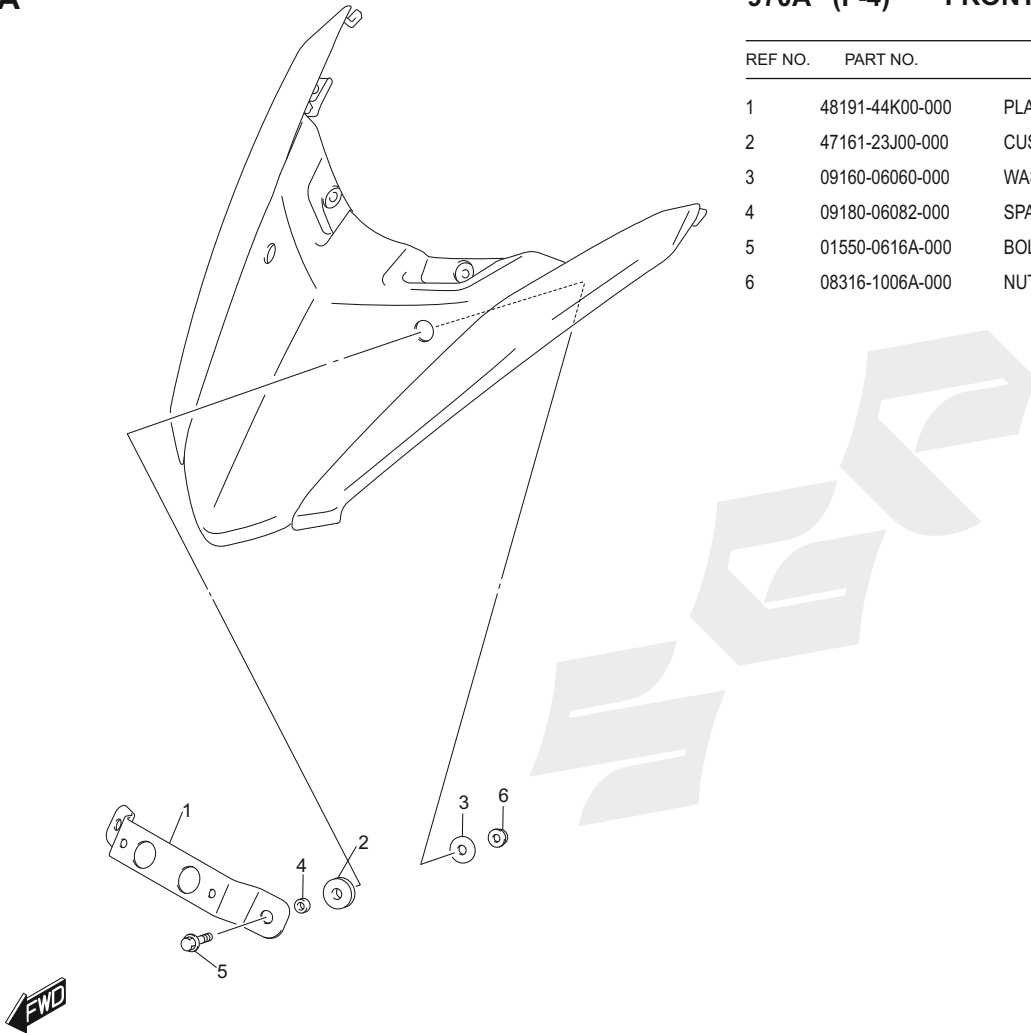
REF NO.	PART NO.	DESCRIPTION	QTY	REMARKS
1	64150-08K00-019	WHEEL,REAR (10X2.15,BLACK)	1	BLACK
2	64400-08K10-000	SHOE SET,REAR BRAKE	1	
3	54424-28G00-000	.SPRING	2	
4	64441-09J20-000	CAM,REAR BRAKE	1	
5	64451-09J80-000	LEVER,REAR BRAKE CAM	1	
6	09100-06139-000	BOLT (6X31)	1	
7	08316-1006A-000	NUT	1	
8	64723-39J00-000	WASHER,REAR AXLE	1	
9	08319-2116A-000	NUT	1	
10	55110-25J01-000	TIRE	1	(NON-SERVICEABLE)
11	43130-41D90-000	VALVE ASSY,WHEEL RIM (PVR70)	1	
12	64231-33G10-000	PIN,REAR BRAKE ANCHOR	1	

970A

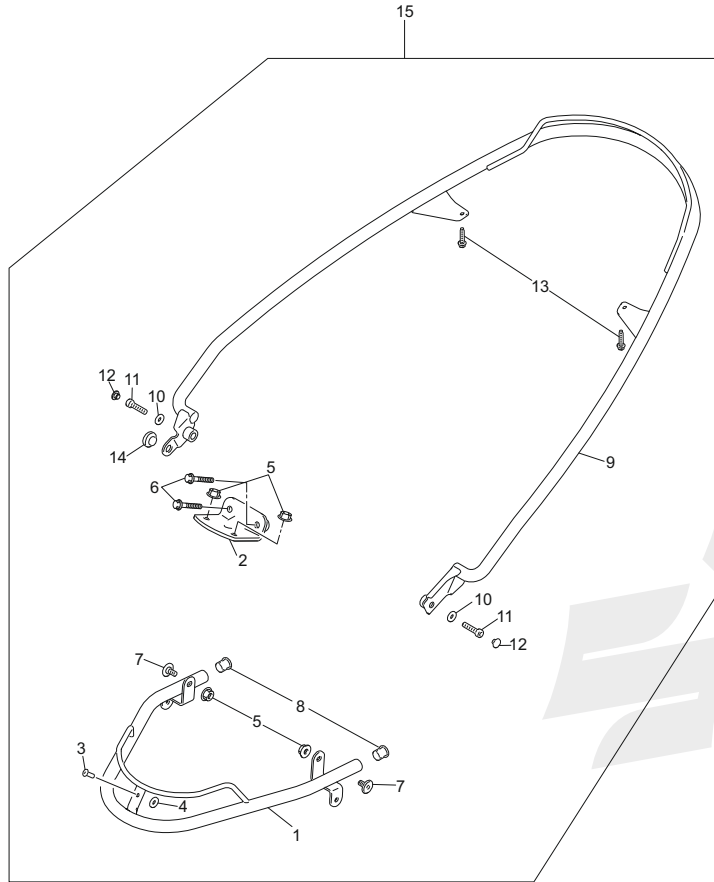
970A (F-4) FRONT LICENSE PLATE SET

REF NO.	PART NO.	DESCRIPTION	QTY	REMARKS
1	48191-44K00-000	PLATE, FRONT LICENSE	1	
2	47161-23J00-000	CUSHION (10X22X7)	2	
3	09160-06060-000	WASHER (6.5X20X1.2)	2	
4	09180-06082-000	SPACER (6.5X10.5X6.5)	2	
5	01550-0616A-000	BOLT	2	
6	08316-1006A-000	NUT	2	

4



970B



970B (F-5) OPTIONAL (ACCESSORIES BAR SET)

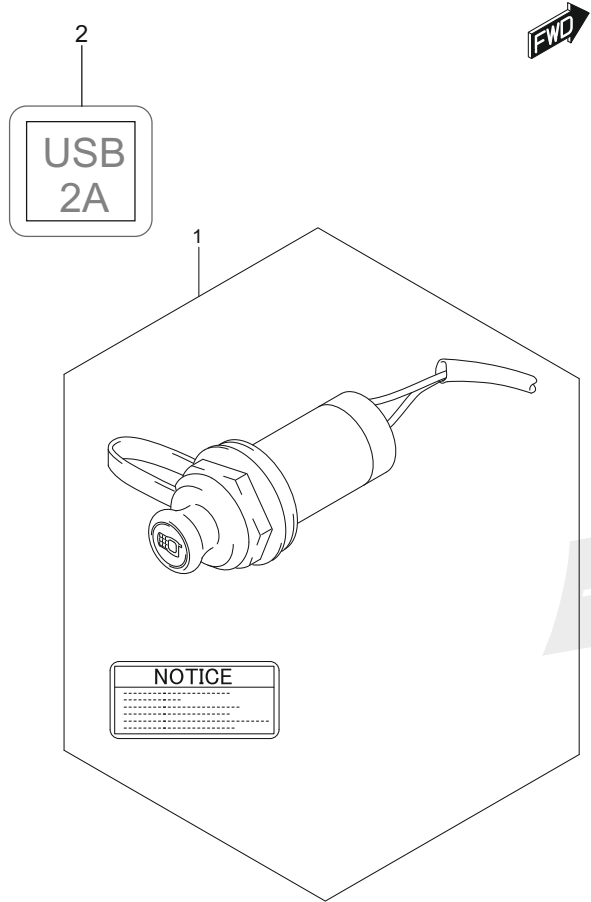
REF NO.	PART NO.	DESCRIPTION	QTY	REMARKS
1	94210-44K00-000	BAR, FRONT ACCESSORIES	1	
2	53120-44K00-000	BRACE, FRONT FENDER	1	
3	09229-04018-000	RIVET	1	
4	08322-0105A-000	WASHER	1	
5	08316-1006A-000	NUT	4	
6	01550-0630A-000	BOLT	2	
7	09139-06219-000	BOLT (6X13)	2	
8	94221-44K00-000	CAP,FRONT ACCESSORY BAR	2	
9	94810-44K00-000	BAR, REAR ACCESSORIES	1	
10	09160-06124-000	WASHER	2	
11	07130-0625A-000	BOLT	2	
12	09250-05009-000	CAP (OD:10)	2	
13	94821-44K00-000	BOLT, REAR ACCESSORY BAR	2	
14	45148-23J10-000	CUSHION, SEAT MOUNT	1	
15	94200-44830-000	BAR SET, ACCESSORIES	1	

970C

970C (F-6) OPTIONAL (USB PORT)

REF NO.	PART NO.	DESCRIPTION	QTY	REMARKS
1	39105-44K00-000	SOCKET, USB	1	
2	33852-44K10-000	LABLE, USB AMP	1	

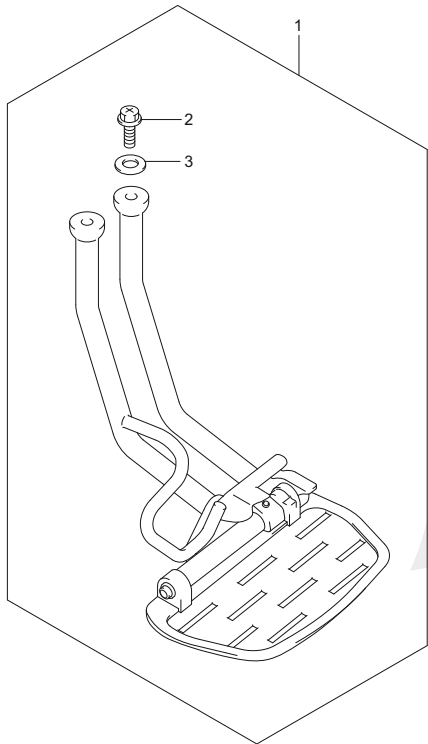
4



970D

970D (F-7) OPTIONAL (SIDE TUBE SET,RR FOOTREST)

REF NO.	PART NO.	DESCRIPTION	QTY	REMARKS
1	43600-44810-000	TUBE SET, RR FOOTREST SIDE	1	
2	01550-0820B-000	BOLT, FOOTREST SIDE TUBE	2	
3	09160-08025-000	WASHER, FOOTREST RR SIDE	2	



UB125NMM3_P74_970D
OPTIONAL (SIDE TUBE SET,RR FOOTREST)

PARTS NUMBER INDEX

PART NO.	FIG. NO.-REFNO.	PART NO.	FIG. NO.-REFNO.	PART NO.	FIG. NO.-REFNO.
00000		01550-0812A-000	405A 2	03541-0516A-000	489B 17
		01550-0820B-000	970D 2	03541-0516A-000	489B 18
		01550-0825A-000	505A 13	03541-0516A-000	489B 19
		01550-0825A-000	535A 18	03541-0516A-000	505A 3
		01550-0835A-000	545A 3	03541-0516B-000	435A 17
01421-0616A-000	163A 5	01550-0845A-000	405A 3	03541-0516B-000	435B 17
01421-0616A-000	163B 5	01550-1040A-000	163A 7	03541-0516B-000	440A 9
01421-0625A-000	103A 9	01550-1040A-000	163B 7	03541-0516B-000	440B 9
01547-0610A-000	172A 12	01550-1040A-000	545A 2	03541-0516B-000	463A 7
01547-0610A-000	172A 13	02112-0510A-000	102A 7	03541-0516B-000	463B 7
01547-0610A-000	172A 14	02112-0525A-000	467A 3	03541-0520A-000	155A 13
01547-0610A-000	427A 15	02112-0612A-000	103A 12	03541-0520A-000	339A 19
01547-0610A-000	462A 18	02112-0612A-000	505A 7	03541-0520A-000	456A 15
01547-0610A-000	462A 21	02112-34063-000	301A 10	04111-2515A-000	415A 4
01547-0612A-000	112A 8	02112-34088-000	301A 11	04111-3020A-000	407A 4
01547-0612A-000	537A 15	02112-3510A-000	352A 4	06111-06004-000	524A 7
01547-0620A-000	127A 8	02112-3512A-000	301A 12	06111-06004-000	524A 9
01547-0620A-000	140A 12	02122-0616A-000	211A 18	06111-07004-000	415A 6
01547-0620A-000	312A 9	02142-0510B-000	462A 11	06112-07004-000	240A 11
01547-0620A-000	467A 10	02142-0512A-000	456A 7	07130-0612A-000	303A 5
01547-0620A-000	467A 18	02142-0512A-000	463A 9	07130-0612A-000	303A 6
01547-0625A-000	112A 5	02142-0512A-000	463B 9	07130-0616A-000	330A 4
01547-0625A-000	170A 5	02142-0612A-000	537A 19	07130-0625A-000	140A 14
01547-0625A-000	181A 6	02162-0625A-000	312A 3	07130-0625A-000	303A 4
01547-0625A-000	181A 9	03211-04203-000	339A 17	07130-0625A-000	970B 11
01547-0630A-000	108A 17	03541-0416B-000	463A 8	08110-6202A-000	211A 6
01547-0630A-000	301A 14	03541-0416B-000	463B 8	08110-62030-000	211A 15
01547-0655A-000	108A 5	03541-0512A-000	427A 16	08133-6300B-000	530A 2
01547-0655A-000	108A 18	03541-0516A-000	181A 7	08211-12223-000	210A 24
01547-0680A-000	170A 8	03541-0516A-000	181A 10	08211-12223-000	210A 28
01547-0690A-000	112A 6	03541-0516A-000	330A 2	08316-1005A-000	339A 10
01547-0695A-000	108A 6	03541-0516A-000	333A 6	08316-1006A-000	103A 10
01550-0510A-000	462A 10	03541-0516A-000	335A 9	08316-1006A-000	163A 8
01550-0512A-000	126A 13	03541-0516A-000	339A 8	08316-1006A-000	163B 8
01550-0612A-000	181A 2	03541-0516A-000	435A 16	08316-1006A-000	435A 26
01550-0612A-000	350A 15	03541-0516A-000	435A 20	08316-1006A-000	435B 26
01550-0612A-000	420A 8	03541-0516A-000	435B 16	08316-1006A-000	460A 5
01550-0612A-000	438A 7	03541-0516A-000	435B 20	08316-1006A-000	460B 5
01550-0612A-000	438B 7	03541-0516A-000	438A 8	08316-1006A-000	550A 7
01550-0612A-000	456A 2	03541-0516A-000	438B 8	08316-1006A-000	970A 6
01550-0612A-000	474A 2	03541-0516A-000	440A 5	08316-1006A-000	970B 5
01550-0612A-000	537A 26	03541-0516A-000	440B 5	08316-1008A-000	103A 4
01550-0616A-000	163A 6	03541-0516A-000	445A 17	08316-1010A-000	108A 9
01550-0616A-000	163B 6	03541-0516A-000	445A 18	08316-1010A-000	303A 7
01550-0616A-000	352A 2	03541-0516A-000	445A 19	08319-2105A-000	467A 9
01550-0616A-000	435A 25	03541-0516A-000	445B 17	08319-2105A-000	467A 17
01550-0616A-000	435B 25	03541-0516A-000	445B 18	08319-2116A-000	550A 9
01550-0616A-000	537A 27	03541-0516A-000	445B 19	08319-3110A-000	401A 6
01550-0616A-000	970A 5	03541-0516A-000	456A 8	08319-3110A-000	407A 10
01550-0616B-000	163A 23	03541-0516A-000	456A 9	08322-0105A-000	435A 27
01550-0616B-000	163B 22	03541-0516A-000	463A 10	08322-0105A-000	435B 27
01550-0630A-000	970B 6	03541-0516A-000	463B 10	08322-0105A-000	474A 9
01550-0812A-000	107A 6	03541-0516A-000	489A 17	08322-0105A-000	970B 4
01550-0812A-000	108A 11	03541-0516A-000	489A 18	08322-0106A-000	489A 20
01550-0812A-000	108A 13	03541-0516A-000	489A 19	08322-0106A-000	489B 20

PART NO.	FIG. NO.-REFNO.	PART NO.	FIG. NO.-REFNO.	PART NO.	FIG. NO.-REFNO.
08331-31149-000	240A 5	09160-06028-000	163A 9	09381-12001-000	120A 7
08331-31249-000	211A 11	09160-06028-000	163B 9	09383-08002-000	240A 9
08332-11059-000	170A 4	09160-06060-000	435A 23	09401-08001-000	427A 9
08341-31039-000	303A 8	09160-06060-000	435B 23	09401-09101-000	427A 10
09100-06139-000	550A 6	09160-06060-000	970A 3	09401-09101-000	427A 11
09103-06247-000	127A 4	09160-06124-000	970B 10	09401-09406-000	427A 17
09103-06501-000	103A 6	09160-06151-000	163A 10	09401-09L03-000	427A 21
09103-10126-000	462A 3	09160-06151-000	163B 10	09401-10401-000	427A 12
09106-05028-000	126A 4	09160-08025-000	970D 3	09401-12418-000	155A 8
09108-08302-000	107A 3	09160-08164-000	103A 5	09401-13102-000	427A 13
09111-06072-000	440A 2	09160-14053-000	240A 4	09401-14101-000	155A 9
09111-06072-000	440B 2	09166-24001-000	524A 10	09402-42001-000	112A 11
09111-06102-000	474A 8	09168-06004-000	127A 5	09402-46209-000	112A 10
09111-06109-000	460A 2	09168-08008-000	107A 5	09404-06429-000	172A 11
09111-06109-000	460B 2	09168-08008-000	108A 10	09404-06429-000	181A 12
09111-06110-000	333A 3	09168-08008-000	108A 12	09404-06429-000	339A 6
09116-06103-000	155A 18	09168-10033-000	537A 18	09407-14L01-000	350A 5
09119-06138-000	102A 5	09180-06082-000	435A 24	09407-14L01-000	505A 10
09139-06165-000	462A 23	09180-06082-000	435B 24	09407-15L01-000	333A 5
09139-06198-000	163A 22	09180-06082-000	970A 4	09407-15L01-000	339A 7
09139-06217-000	163A 21	09180-06306-000	163A 11	09407-15L01-000	350A 6
09139-06217-000	163B 21	09180-06306-000	163B 11	09407-19L01-000	505A 11
09139-06219-000	970B 7	09180-06343-000	163A 12	09407-29L01-000	350A 7
09140-12055-000	210A 14	09180-06343-000	163B 12	09408-00343-000	427A 14
09140-12055-000	210A 23	09181-12167-000	211A 3	09409-06L07-000	435A 19
09148-05060-000	339A 5	09181-25051-000	211A 13	09409-06L07-000	435B 19
09148-05060-000	435A 10	09206-08008-000	108A 16	09409-06L07-000	438A 6
09148-05060-000	435A 11	09206-08008-000	112A 4	09409-06L07-000	438B 6
09148-05060-000	435A 12	09206-08008-000	126A 5	09409-06L07-000	445A 15
09148-05060-000	435A 13	09206-10014-000	108A 4	09409-06L07-000	445B 15
09148-05060-000	435B 10	09206-10016-000	103A 7	09409-08L09-000	435A 14
09148-05060-000	435B 11	09206-10016-000	107A 4	09409-08L09-000	435B 14
09148-05060-000	435B 12	09209-11002-000	462A 15	09409-08L09-000	445A 16
09148-05060-000	435B 13	09229-04018-000	970B 3	09409-08L09-000	445B 16
09148-05060-000	438A 4	09250-05009-000	970B 12	09409-08L09-000	463A 6
09148-05060-000	438A 5	09251-04004-000	427A 8	09409-08L09-000	463B 6
09148-05060-000	438B 4	09261-05005-000	126A 6	09440-05003-000	415A 5
09148-05060-000	438B 5	09262-12034-000	211A 7	09440-05005-000	240A 10
09148-05060-000	440A 4	09262-12035-000	211A 8	09443-17026-000	407A 6
09148-05060-000	440B 4	09262-20171-000	211A 4	09462-00034-000	310A 3
09148-05060-000	445A 11	09262-22041-000	211A 16	09471-12216-000	339A 16
09148-05060-000	445A 12	09280-17003-000	108A 20	09471-12226-000	335A 3
09148-05060-000	445A 13	09280-26013-000	140A 16	09471-12226-000	335A 7
09148-05060-000	445A 14	09283-16L03-000	120A 2	09471-12226-000	339A 4
09148-05060-000	445B 11	09283-20069-000	211A 5	09481-15501-000	350A 2
09148-05060-000	445B 12	09283-29007-000	211A 14	09481-20501-000	350A 3
09148-05060-000	445B 13	09289-05019-000	126A 20	09482-00645-000	103A 8
09148-05060-000	445B 14	09320-08018-000	333A 4		
09148-05060-000	463A 5	09320-08082-000	163A 14		
09148-05060-000	463B 5	09320-08082-000	163B 14		
09148-05060-000	489A 15	09320-08L02-000	163A 13		
09148-05060-000	489B 15	09320-08L02-000	163B 13		
09150-06010-000	462A 16	09320-09016-000	454A 3		
09160-05013-000	467A 6	09352-70114-510	420A 7		
09160-05501-000	339A 18	09381-10004-000	103A 2		

PART NO.	FIG. NO.-REFNO.	PART NO.	FIG. NO.-REFNO.	PART NO.	FIG. NO.-REFNO.
11110-02L00-000	103A 1	13421-02L00-000	140A 5	16520-09J00-000	170A 9
11141-35J00-000	103A 3	13438-09JA0-000	140A 3	16523-09J00-000	170A 10
11170-02L10-000	102A 1	13602-02L00-000	140A 6	16525-09J00-000	170A 12
11173-02L00-000	102A 2	13640-02L00-000	107A 7	16526-09J00-000	170A 11
11176-02L00-000	102A 3	13700-02810-000	155A 19	17110-09J50-000	181A 1
11177-08K00-000	102A 4	13700-02L10-000	155A 1	17120-02L00-000	181A 3
11186-02L00-000	102A 8	13738-44K00-000	155A 17	17122-02L00-000	181A 4
11191-27E70-000	102A 6	13740-08K00-000	155A 3	17123-08K00-000	181A 5
11210-02L00-0F0	107A 1	13746-08K00-000	155A 4	17124-02L00-000	181A 11
11241-08K00-000	107A 2	13746-08K00-000	155A 6	17130-02L00-000	181A 8
11301-08840-000	108A 1	13755-54G00-000	155A 2	18117-10K00-000	140A 2
11315-39J00-000	108A 2	13780-02L10-000	155A 7	18213-12K10-000	163A 20
11316-39J00-000	108A 3	13825-08K00-000	155A 10	18213-12K10-000	163B 20
11325-09J00-000	108A 7	13850-02L10-000	155A 14	18560-02L00-000	427A 1
11325-09J00-000	112A 2	13856-02L10-000	155A 12	18561-02L10-000	427A 2
11340-08K40-000	112A 1	13859-41B10-000	155A 15	18563-02L00-000	427A 3
11346-08K00-000	112A 7	13871-41H00-000	155A 11	18567-02L00-000	427A 4
11383-39J10-000	112A 9	13891-08K00-000	155A 5	18571-02L00-000	427A 5
11430-39840-000	108A 14	14180-44K00-000	163B 15	18572-02L00-000	427A 6
11482-08K00-000	112A 3	14180-44K10-000	163A 15	18573-02L00-000	427A 7
11484-39J30-000	108A 15	14181-30A30-000	163A 1		
11611-39J00-000	108A 8	14181-30A30-000	163B 1		
11971-09J00-000	108A 19	14182-44K00-000	163A 16		
12100-08K50-050	120A 8	14182-44K00-000	163B 16		
12111-08K00-0F0	120A 4	14310-44K10-000	163B 2		
12140-08K50-000	120A 5	14310-44K20-000	163A 2	21111-08K00-000	210A 1
12151-43J00-000	120A 6	14760-44K01-000	163A 17	21113-39J10-000	210A 2
12200-08K51-000	120A 1	14760-44K01-000	163B 17	21120-33G70-000	210A 3
12227-08K00-000	120A 3	14780-44K10-000	163A 3	21125-33G00-000	210A 4
12710-02L00-000	126A 1	14780-44K10-000	163B 3	21210-08K00-000	210A 5
12714-34J10-000	126A 3	14782-44K00-000	163A 4	21214-08K00-000	210A 16
12740-08K00-000	126A 2	14782-44K00-000	163B 4	21215-08K10-000	210A 15
12760-08K10-000	127A 1	14791-44K20-000	163A 18	21216-08K00-000	210A 18
12771-08K00-000	127A 2	14791-44K30-000	163B 18	21220-08K00-000	210A 22
12800-42810-000	127A 9	14795-10FA0-000	163A 19	21240-08K01-000	210A 6
12811-08K10-000	127A 3	14795-10FA0-000	163B 19	21243-08K00-000	210A 7
12830-42K00-000	127A 6	15100-02L10-000	172A 1	21245-09J00-000	210A 8
12837-39J20-000	127A 7	15121-02L00-000	172A 4	21246-08K00-000	210A 9
12840-43J10-000	126A 8	15201-02L00-000	172A 5	21247-08K00-000	210A 17
12842-34J00-000	126A 9	15420-02L10-000	172A 2	21247-08K00-000	210A 29
12843-27A70-000	126A 10	15424-09JB0-000	172A 3	21248-08K00-000	210A 10
12861-35J00-000	126A 11	15710-02L00-000	140A 8	21431-33G00-000	210A 19
12871-35J00-000	126A 12	15716-42J00-000	140A 9	21471-08K00-000	210A 12
12911-43J00-000	126A 14	15722-02L00-000	140A 10	21472-08K10-000	210A 11
12912-02L00-000	126A 15	15810-02L10-000	172A 6	21481-08K00-000	210A 20
12921-43J00-000	126A 16	15830-02L00-000	140A 11	21501-08K00-000	210A 13
12931-09G20-000	126A 17	15891-02L00-000	172A 7	21518-09J00-000	210A 27
12932-09G10-000	126A 18	15892-02L00-000	172A 8	21650-08K10-000	210A 21
12933-09G00-000	126A 19	15893-02L00-000	172A 9	24131-33G90-000	211A 1
12951-08K00-000	126A 7	15894-02L00-000	172A 10	24141-08K10-000	211A 9
13111-02L00-000	140A 13	16331-08K00-000	170A 1	24142-08K10-000	211A 12
13128-08K00-000	140A 15	16400-08K00-000	170A 2	24150-39J40-000	211A 2
13295-02L00-000	140A 7	16421-20E00-000	170A 3	24371-39J10-000	211A 10
13400-02L10-000	140A 1	16422-09J00-000	170A 6	24741-20A10-000	103A 11
13417-02L00-000	140A 4	16423-09J00-000	170A 7	24751-09J00-000	211A 17

PART NO.	FIG. NO.-REFNO.	PART NO.	FIG. NO.-REFNO.	PART NO.	FIG. NO.-REFNO.
26200-39J00-000	240A 6	35910-16G71-000	339A 11	44261-44K00-000	420A 6
26210-08K20-000	240A 1	35912-30H01-000	339A 12	44281-02L00-000	420A 1
26212-46G00-000	240A 2	35913-30H00-000	339A 13	44281-29C00-000	420A 4
26213-39J00-000	240A 3	35917-30H00-000	339A 14	44434-44K10-000	427A 20
26231-08K00-000	210A 26	35926-30H00-000	339A 15	44894-39J10-000	427A 18
26300-08K00-000	240A 7	35950-20L00-000	460A 4	45100-44K10-BQY	505A 1
26314-33G30-000	240A 12	35950-20L00-000	460B 4	45148-23J10-000	970B 14
26351-08K00-000	240A 8	35970-28G00-000	339A 9	45211-44K00-000	505A 4
27601-08K10-000	210A 25	36610-44KF0-000	350A 1	45271-32G10-000	505A 2
		36851-44K00-000	420A 5	45280-44K00-000	505A 8
		36990-70F20-000	350A 4	45289-44K00-000	505A 5
		36990-70F20-000	505A 9	45700-33G40-000	505A 6
		37100-08K10-000	352A 1	46211-44K00-YVB	505A 12
		37155-08810-000	352A 3	47111-44K01-PGZ	445B 1-1
		37330-02L10-000	350A 8	47111-44K01-QMV	445A 1-2
		37420-02L10-000	350A 9	47111-44K01-YBB	445A 1-3
		37510-33G40-000	350A 10	47111-44K01-YKV	445A 1-1
		37520-33G11-000	350A 11	47111-44K01-YPA	445B 1-2
		37760-39J10-000	467A 11	47121-44K00-000	445A 5
		37760-39J10-000	467A 19	47121-44K00-000	445B 5
		38500-02L00-000	350A 14	47131-44K01-YMC	440B 6
		38610-27K00-000	335A 10	47131-44K01-YVB	440A 6
		38850-44K00-000	350A 12	47161-23J00-000	435A 21
		38852-44K00-000	350A 13	47161-23J00-000	435B 21
		39105-44K00-000	970C 1	47161-23J00-000	970A 2
		31497-39J00-000	303A 1	47211-44K01-PGZ	445B 2-1
		31800-23J20-000	312A 1	47211-44K01-QMV	445A 2-2
		32101-02L00-000	303A 2	47211-44K01-YBB	445A 2-3
		32102-02L00-000	303A 3	47211-44K01-YKV	445A 2-1
		32800-02L00-000	312A 2	47211-44K01-YPA	445B 2-2
		32920-02L30-000	312A 4	47231-44K01-YMC	440B 7
		33410-02L10-000	312A 5	47231-44K01-YVB	440A 7
		33510-08K00-000	312A 6	47311-44K01-PGZ	445B 3-1
		33541-08K00-000	312A 7	47311-44K01-QMV	445A 3-2
		33542-08K00-000	312A 8	47311-44K01-YBB	445A 3-3
		33610-39J00-000	310A 1-1	47311-44K01-YKV	445A 3-1
		33610-39J10-000	310A 1-2	47311-44K01-YPA	445B 3-2
		33652-39J00-000	310A 2	47353-44K00-000	445A 20
		33852-44K10-000	970C 2	47353-44K00-000	445B 20
		34100-44KA0-000	330A 1	47411-44K00-000	445A 4
		34810-44K00-000	172A 15	47411-44K00-000	445B 4
		34990-44K01-000	330A 3	47412-44K00-000	445B 6
		35100-44K00-000	333A 1	47412-44K10-YVB	445A 6
		35157-34J00-000	474A 6	48111-44K11-PGZ	435B 1-1
		35157-34J00-000	474A 10	48111-44K11-QMV	435A 1-2
		35182-44K00-000	333A 2	48111-44K11-YBB	435A 1-3
		35601-44K00-000	335A 1	48111-44K11-YKV	435A 1-1
		35602-44K00-000	335A 5	48111-44K11-YPA	435B 1-2
		35618-44K00-000	335A 2	48112-44K00-000	435B 2
		35638-44K00-000	335A 6	48112-44K10-YVB	435A 2
		35650-44K00-000	335A 4	48113-44K00-000	435B 3
		35650-44K00-000	335A 8	48113-44K10-YVB	435A 3
		35650-44K00-000	339A 2	48114-44K00-000	435A 4
		35710-44K00-000	339A 1	48114-44K00-000	435B 4
		35718-44K00-000	339A 3	48119-44K00-000	435A 15
		44240-13H00-000	427A 19		

SUZUKI GENUINE ACCESSORIES & MERCHANDISE



PART NO	ENGLISH NAME
99000F10417C000	WIND CHEATER



PART NO	ENGLISH NAME
99000F10595C00L	BURGMAN BLACK JACKET-L
99000F10595C0XL	BURGMAN BLACK JACKET-XL
99000F10595CXXL	BURGMAN BLACK JACKET-XXL



PART NO	ENGLISH NAME
99000F10585C00L	HAYABUSA T-SHIRT-L
99000F10585C0XL	HAYABUSA T-SHIRT-XL
99000F10585CXXL	HAYABUSA T-SHIRT-XXL



PART NO	ENGLISH NAME
99000F10597C00L	BLACK HOODIE-L
99000F10597C0XL	BLACK HOODIE-XL
99000F10597CXXL	BLACK HOODIE-XXL



PART NO	ENGLISH NAME
99000F10586C00L	HAYABUSA T-SHIRT (WHITE)-L
99000F10586C0XL	HAYABUSA T-SHIRT (WHITE)-XL
99000F10586CXXL	HAYABUSA T-SHIRT (WHITE)-XXL



PART NO	ENGLISH NAME
99000F10526C00L	MOTO GP JACKET-L
99000F10526C0XL	MOTO GP JACKET-XL
99000F10526CXXL	MOTO GP JACKET-XXL



PART NO	ENGLISH NAME
99000F10644C00M	HAYABUSA ROUND NECK T SHIRT WHITE- M
99000F10644C00L	HAYABUSA ROUND NECK T SHIRT WHITE- L
99000F10644C0XL	HAYABUSA ROUND NECK T SHIRT WHITE- XL
99000F10644CXXL	HAYABUSA ROUND NECK T SHIRT WHITE- XXL



PART NO	ENGLISH NAME
99000F10527C00L	TEAM SUZUKI PIT SHIRT-L
99000F10527C0XL	TEAM SUZUKI PIT SHIRT-XL
99000F10527CXXL	TEAM SUZUKI PIT SHIRT-XXL



PART NO	ENGLISH NAME
99000F10636C00M	HAYABUSA ROUND NECK T SHIRT- M
99000F10636C00L	HAYABUSA ROUND NECK T SHIRT- L
99000F10636C0XL	HAYABUSA ROUND NECK T SHIRT- XL
99000F10636CXXL	HAYABUSA ROUND NECK T SHIRT- XXL



PART NO	ENGLISH NAME
99000F10590C00L	SUZUKI ROUND NECK T-SHIRT-L (BLK/YLW)
99000F10590C0XL	SUZUKI ROUND NECK T-SHIRT-XL (BLK/YLW)
99000F10590CXXL	SUZUKI ROUND NECK T-SHIRT-XXL (BLK/YLW)

SUZUKI GENUINE ACCESSORIES & MERCHANDISE



PART NO	ENGLISH NAME
99000F10637C000	BLACK CAP
99000F10414C000	CAP



PART NO	ENGLISH NAME
99000F10532CD0M	HELMET_OF_DSTM_M
99000F10532CD0L	HELMET_OF_DSTM_L
99000F10561CB0M	HELMET_OF_BLK_M
99000F10561CB0L	HELMET_OF_BLK_L
99000F10561CBXL	HELMET_OF_BLK_XL



PART NO	ENGLISH NAME
99000F10700C00M	SUZUKI F.MASK NAVY M-12(H)*20(W)CM
99000F10700C00L	SUZUKI F.MASK NAVY L-14(H)*22(W)CM
99000F10701C00M	SUZUKI F.MASK ANTHRA M-12(H)*20(W)CM
99000F10701C00L	SUZUKI F.MASK ANTHRA L-14(H)*22(W)CM
99000F10702C00M	HAYABUSA F.MASK BLK M-12(H)*20(W)CM
99000F10702C00L	HAYABUSA F.MASK BLK L-14(H)*22(W)CM



PART NO	ENGLISH NAME
99000F10650C00M	HELMET_ECO_FF_BLK_M
99000F10650C00L	HELMET_ECO_FF_BLK_L
99000F10650C0XL	HELMET_ECO_FF_BLK_XL
99000F10649C00M	HELMET_ECO_OF_BLK_M
99000F10649C00L	HELMET_ECO_OF_BLK_L
99000F10649C0XL	HELMET_ECO_OF_BLK_XL



PART NO	ENGLISH NAME
99000F10587C000	HELMET_FF_BLK
99000F10571C00S	HELMET_OF_BLU_S

6



PART NO	ENGLISH NAME
99000F10685CB0M	HELMET_OF_ECO_BLU_M
99000F10685CB0L	HELMET_OF_ECO_BLU_L
99000F10685CBXL	HELMET_OF_ECO_BLU_XL
99000F10685CR0M	HELMET_OF_ECO_RED_M
99000F10685CR0L	HELMET_OF_ECO_RED_L
99000F10685CRXL	HELMET_OF_ECO_RED_XL



PART NO	ENGLISH NAME
99000F10554CB0M	HELMET_FF_BLK_M
99000F10554CB0L	HELMET_FF_BLK_L
99000F10554CBXL	HELMET_FF_BLK_XL
99000F10654C00M	HELMET_FF_MOTO_GP_M
99000F10654C00L	HELMET_FF_MOTO_GP_L
99000F10654C0XL	HELMET_FF_MOTO_GP_XL



PART NO	ENGLISH NAME
99000F10422C00M	HELMET_OF_BLK_M
99000F10422C00L	HELMET_OF_BLK_L
99000F10422C0XL	HELMET_OF_BLK_XL
99000F10423C00M	HELMET_OF_WHT_M
99000F10423C00L	HELMET_OF_WHT_L
99000F10423C0XL	HELMET_OF_WHT_XL



PART NO	ENGLISH NAME
99000F10673C00M	HELMET_PRE_ECO_OF_2_M
99000F10673C00L	HELMET_PRE_ECO_OF_2_L
99000F10673C0XL	HELMET_PRE_ECO_OF_2_XL
99000F10672C00M	HELMET_PRE_ECO_OF_1_M
99000F10672C00L	HELMET_PRE_ECO_OF_1_L
99000F10672C0XL	HELMET_PRE_ECO_OF_1_XL

SUZUKI GENUINE ACCESSORIES & MERCHANDISE



PART NO	ENGLISH NAME
99000F10410GB0M	HELMET_FF_BLK_M
99000F10410GB0L	HELMET_FF_BLK_L
99000F10410GBXL	HELMET_FF_BLK_XL
99000F10537CB0M	HELMET_FF_BLUE_M
99000F10537CB0L	HELMET_FF_BLUE_L
99000F10537CBXL	HELMET_FF_BLUE_XL



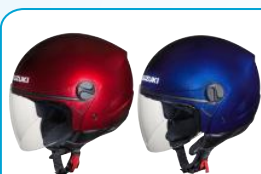
PART NO	ENGLISH NAME	MODEL
56500-33GM0-000	MIRROR ASSY, REAR VIEW RH	UZ125L7~
56600-33GM0-000	MIRROR ASSY, REAR VIEW LH	UZ125N~



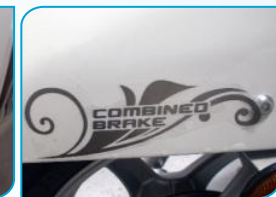
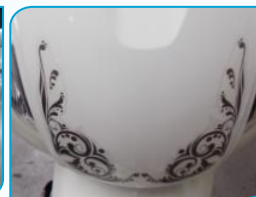
PART NO	ENGLISH NAME
99000F10410PB0L	HELMET_FF_BLK_L
99000F10410PBXL	HELMET_FF_BLK_XL
99000F10626C00M	HELMET_FF_MAT_BLK_M
99000F10626C00L	HELMET_FF_MAT_BLK_L
99000F10626C0XL	HELMET_FF_MAT_BLK_XL



PART NO	ENGLISH NAME	MODEL
99000F10551C000	CHROME MIRROR LH	UB125L9~ GL150L8~
99000F10552C000	CHROME MIRROR RH	
99000F10553C000	CHROME MIRROR KIT	



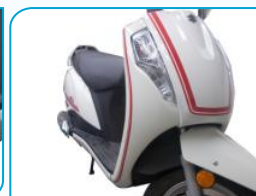
PART NO	ENGLISH NAME
99000F10532CR0M	HELMET_OF_RED_M
99000F10532CR0L	HELMET_OF_RED_L
99000F10532CRXL	HELMET_OF_RED_XL
99000F10532CB0M	HELMET_OF_BLU_M
99000F10532CB0L	HELMET_OF_BLU_L
99000F10532CBXL	HELMET_OF_BLU_XL



PART NO	ENGLISH NAME	MODEL
99000F10665C000	GRAPHICS SET-UZ125 (FLORAL)	UZ125N~



PART NO	ENGLISH NAME
99000F10410MG0M	HELMET_OF_GRY_M
99000F10410MG0L	HELMET_OF_GRY_L
99000F10410MW0M	HELMET_OF_WHT_M
99000F10410MW0L	HELMET_OF_WHT_L



PART NO	ENGLISH NAME	MODEL
99000F10662C000	GRAPHICS SET-UZ125(RED)	UZ125N~
99000F10661C000	GRAPHICS SET-UZ125(BLUE)	



PART NO	ENGLISH NAME	MODEL
99000F10663C000	GRAPHICS SET-UZ125 (SILVER)	UZ125N~
99000F10664C000	GRAPHICS SET-UZ125 (BLACK)	

SUZUKI GENUINE ACCESSORIES



PART NO	ENGLISH NAME
99000F10686C000	FLOOR MAT WITH LOCK_UB125 DESIGN 1



PART NO	ENGLISH NAME	MODEL
99000F10421C000	SEAT COVER MESH TYPE	UZ125L7~ UZ125N~



PART NO	ENGLISH NAME
99000F10687C000	FLOOR MAT WITH LOCK_UB125 DESIGN 2



PART NO	ENGLISH NAME	MODEL
99000F10538C000	SEAT COVER-UZ125L7	UZ125L7~ UZ125N~



PART NO	ENGLISH NAME	MODEL
99000F10425C000	FLOOR MAT WITH LOCK	UZ125L7~



PART NO	ENGLISH NAME	MODEL
99000F10594C000	SEAT COVER-BURGMAN	UB125EML9~



PART NO	ENGLISH NAME	MODEL
99000F10569CU1G	SEAT COVER-UZ125L7 (MAROON)	UZ125L7~ UZ125N~



PART NO	ENGLISH NAME	MODEL
99000F10593C000	BODY COVER BURGMAN	UB125EML9~



PART NO	ENGLISH NAME	MODEL
99000F10653C000	SEAT COVER-UZ125L7 (BROWN)	UZ125L7~ UZ125N~



PART NO	ENGLISH NAME	MODEL
99000F10591C000	BODY COVER- NEW ACCESS	UZ125L7~ UZ125N~



PART NO	ENGLISH NAME	MODEL
94200-44830-000	BAR SET,ACCESSORIES	UB125NMM1~



PART NO	ENGLISH NAME	MODEL
99000F10546C000	GARNISH COMBO KIT	
99000F10548C000	CENTER & FENDER, GARNISH SET	UZ125L7~
99000F10544C000	SIDE PROTECTOR, GARNISH SET	UZ125N~
99000F10545C000	TAIL LAMP, GARNISH SET	



PART NO	ENGLISH NAME	MODEL
43600-02810-000	TUBE SET, FOOTREST	UZ125M2~
43600-33830-000	TUBE SET, FOOTREST	UZ125N~
43600-39820-000	TUBE SET, FOOTREST	UZ125L7~
43600-44810-000	TUBE SET, FOOTREST	UB125NM3~
43600-44800-000	TUBE SET, FOOTREST	UB125NM~
43600-39830-000	TUBE SET, FOOTREST	UB125L9~



PART NO	ENGLISH NAME	MODEL
94600-02810-000	VISOR SET,METER	UZ125N~



PART NO	ENGLISH NAME	MODEL
38850-39J00-000	TERMINAL, POWER SOURCE (MOBILE CHARGER)	UR110L7~ UZ125L7~
39105-44K00-000	SOCKET, USB	UZ125N~ UB125L9~



PART NO	ENGLISH NAME	MODEL
99000F10412C000	DECORATIVE VALVE CAP (SET)	ALL MODELS



PART NO	ENGLISH NAME	MODEL
99000F10535CBLK	S LOGO KEY CHAIN- BLACK	ALL
99000F10535CBLU	S LOGO KEY CHAIN- BLUE	
99000F10535CWHT	S LOGO KEY CHAIN- WHITE	
99000F10535CTPT	S LOGO KEY CHAIN-TRNSPT	
99000F10555C000	MOTO-GP KEY CHAIN	



PART NO	ENGLISH NAME
99000F10558C000	CARRY BAG



PART NO	ENGLISH NAME	MODEL
99000F10633C000	S LEATHER KEY CHAIN	ALL MODELS
99000F10641C000	GIXXER KEY CHAIN	

NOTE :- ALL ACCESSORY, APPAREL & CHEMICALS PRICES ARE AVAILABLE ON DRAS & MDMS.



IDEMITSU



PART NO.	TYPE	GRADE	PACK SIZE
990P0-21040-001	10W-30	SEMI-SYNTHETIC	1Ltr.

IDEMITSU



PART NO.	TYPE	GRADE	PACK SIZE
990P0-21040-P70	10W-30	SEMI-SYNTHETIC	700ML

CASTROL



PART NO.	TYPE	GRADE	PACK SIZE
990P0-21030-001	10W-30	MINERAL	1Ltr

CASTROL



PART NO.	TYPE	GRADE	PACK SIZE
990P0-21030-P70	10W-30	MINERAL	700 ML

ECSTAR



ORDER TO SMIPL

PART NO	TYPE	GRADE	PACK
990P0-99010-P50	FRONT FORK OIL	2W-35	1Ltr.

ECSTAR



ORDER TO SMIPL

PART NO	TYPE	PACK SIZE
990P0-59040-P60	ECSTAR BIKE CARE KIT	600ML

ECSTAR



ORDER TO SMIPL

PART NO	TYPE	PACK SIZE
990P0-26010-P30	LUSTER WAX	300ML

SUZUKI UB125NM/NMXM3_P74 PART CATALOGUE

1ST EDITION
Published in 2021-1

© 2021 Suzuki Motor Corporation. All rights reserved.

No part of this document may be reproduced or transmitted in any form or by any means, electronic or mechanical, for any purpose, without the express written permission of Suzuki Motor Corporation.

SUZUKI MOTORCYCLE INDIA PRIVATE LIMITED,

Spare Parts Department
Village Kherki Dhaula, Badshahapur, NH-8,
Link Road, Gurgaon 12004 (HARYANA)

Reprint Prohibited (S)

1

INFORMATION
ILLUSTRATION INDEX

2

ENGINE
TRANSMISSION

3

ELECTRICAL

4

BODY

5

PARTS NUMBER INDEX

6

ACCESSORIES

SUZUKI MOTORCYCLE INDIA PVT. LTD.



9900BF44KPOC006

9900BF44KPOC006



Printed in India